

# 2001 JEEP WRANGLER (TJ)



**Jeep**

CHRYSLER • PLYMOUTH • DODGE • JEEP

**THE MOPAR DIFFERENCE**

## VIN PLATE DECODING INFORMATION

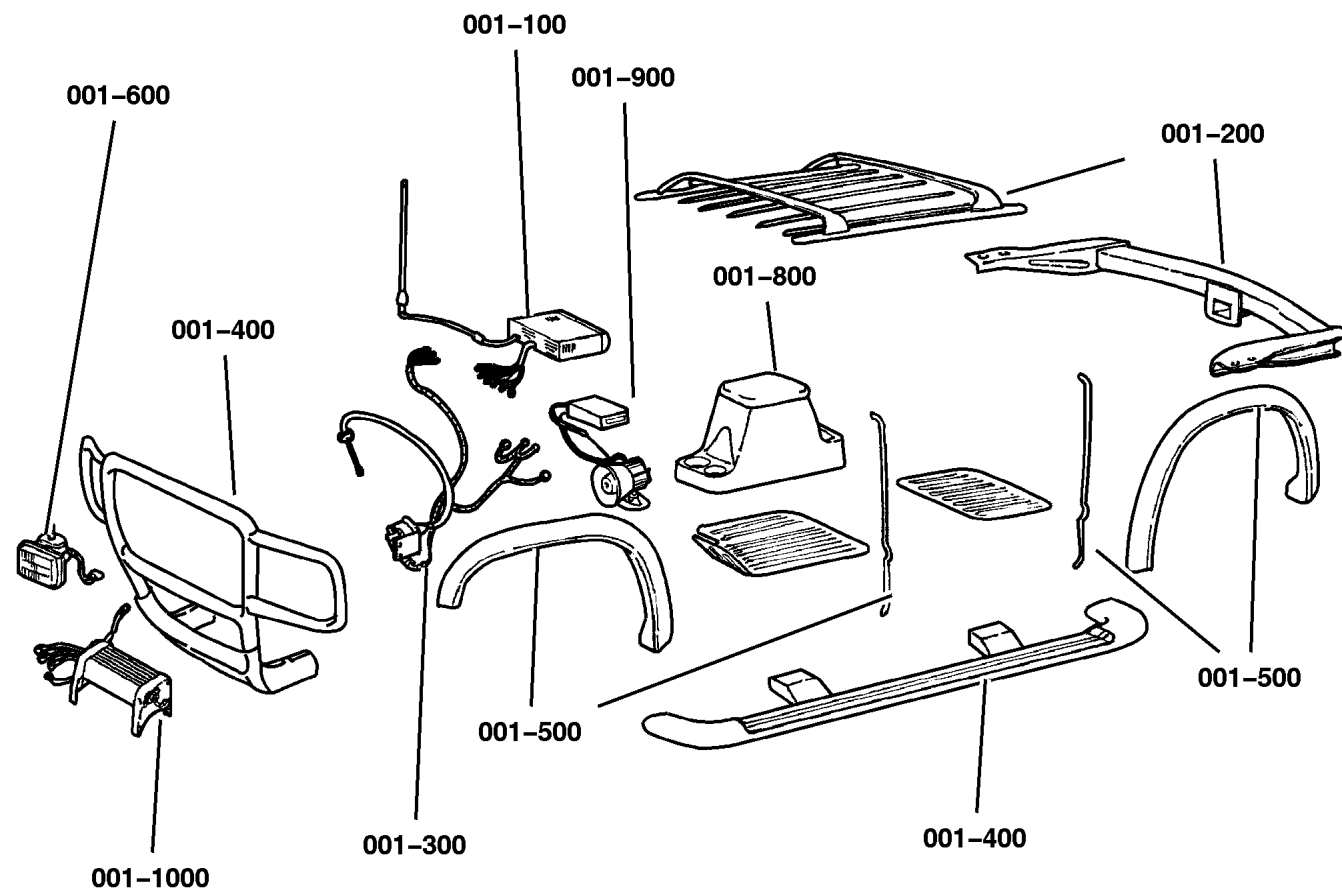
<b>1</b>	<b>2</b>	<b>3</b>	<b>4</b>	<b>5</b>	<b>6</b>	<b>7</b>	<b>8</b>	<b>9</b>	<b>10</b>	<b>11</b>	<b>12 thru 17</b>
Country	Make	Vehicle Type	Other	Line	Series	Body Style	Engine	Check Digit	Model Year	Assy. Plant	Sequence No.

The following table interprets the VIN Plate positions shown above.

Position	Interpretation	Codes = Description
1	Country of Origin	1 = U.S.
2	Make	J = Jeep
3	Vehicle type	4 = Multipurpose Passenger Vehicle
4	GVWR & Pass. Safety	D=0-1360 kg (0-3000 lbs) E=1361-1814 kg (3001-4000 lbs) F=1815-2267 kg (4001-5000 lbs) G=2268-2721 kg (5001-6000 lbs) H=2722-3175 kg (6001-7000 lbs) J=3176-3628 kg (7001-8000 lbs) K=3629-4082 kg (8001-9000 lbs) L=4083-4535 kg (9001-10000 lbs) M=4536-6350 kg (10001-14000 lbs)
5	Vehicle Line	A = Wrangler 4x4 Left Hand Drive 4 = Wrangler 4x4 Right Hand Drive
6	Series	2 = SE 4 = Sport 5 = Sahara
7	Body Style	9 = Open Body
8	Engine	P = 2.5L Gas Unleaded (EPE) S = 4.0L Gas Unleaded (ERH) H = 2.5L Gas Leaded (EPE) V = 4.0L Leaded (ERH)
9	Check Digit	
10	Model Year	1 = 2001
11	Assembly Plant	P = Toledo #2
12 thru 17	Vehicle Build Sequence	Model Year Assembly Sequence

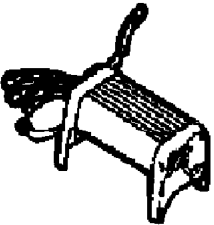
# Group – 001

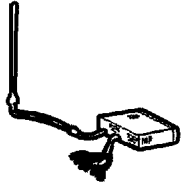


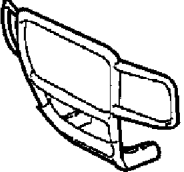
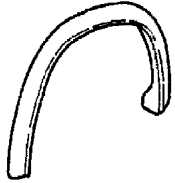
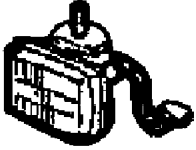


## Component Parts for Mopar Accessories



# Group – 001

## Component Parts for Mopar Accessories

<p>001-1000 4 - Wheeling &amp; Off Road</p> 			
---	--	--	--

<p>001-100 Audio &amp; Electronics</p> 	<p>001-200 Carriers &amp; Cargo Hauling</p> 	<p>001-300 Driving Convenience</p> 	<p>001-400 Exterior Appearance</p> 
<p>001-500 Exterior Protection</p> 	<p>001-600 Fog Lights &amp; Electrical</p> 	<p>001-800 Interior Storage</p> 	<p>001-900 Security</p> 

---

**GROUP 1 - Component Parts for Mopar Accessories**

Illustration Title	Group-Fig. No.
<b>Audio &amp; Electronics</b>	
Player Kit - CD Changer - 6 Disc .....	Fig. 001-110
Player Kit -- 12 Disc .....	Fig. 001-120
Install Kit - CD Changer - Trunk .....	Fig. 001-130
Antenna Kit .....	Fig. 001-150
Speaker Kit - Radio Instrument Panel .....	Fig. 001-160
Speaker Kit - Sub Woofer .....	Fig. 001-162
Overhead Speakers - Soundbar .....	Fig. 001-164
<b>Carriers &amp; Cargo Hauling</b>	
Bike Carrier - Hitch Mount 2 Bikes .....	Fig. 001-220
Bike Carrier - Spare Tire Mount .....	Fig. 001-222
Ski Carrier - Spare Tire Mount .....	Fig. 001-232
Trailer Tow - Receiver Kit .....	Fig. 001-250
<b>Driving Convenience</b>	
Speed Control Kit .....	Fig. 001-310
Top Kit - Soft Hardtop Replacement .....	Fig. 001-320
Hardtop Exhauster .....	Fig. 001-322
Mounting Kit - Cell Phone .....	Fig. 001-330
<b>Exterior Appearance</b>	
Bumper Kit- Front Tubular .....	Fig. 001-410
Bumper Kit - Rear Tubular .....	Fig. 001-420
Extension Kit - Bumper Front .....	Fig. 001-430
Side Step Kit .....	Fig. 001-440
Side Step Kit - Tubular .....	Fig. 001-442
<b>Exterior Protection</b>	
Shield Kit - Air Front .....	Fig. 001-510
Trim Kit - Door .....	Fig. 001-520
Moulding Kit - Rocker Guard .....	Fig. 001-530
Hardware Package - Door .....	Fig. 001-540
Hardtop Wiring Kit .....	Fig. 001-550
<b>Fog Lights &amp; Electrical</b>	
Light Kit - Fog .....	Fig. 001-610
Light Kit - Off Road .....	Fig. 001-620
Bar Kit - Light Windshield .....	Fig. 001-630
Installation Package - Lights Off Road .....	Fig. 001-640
Heater Kit - Engine Block .....	Fig. 001-650
<b>Interior Storage</b>	
Storage Kit - Enclosure .....	Fig. 001-810
Console Kit - Floor .....	Fig. 001-820

---

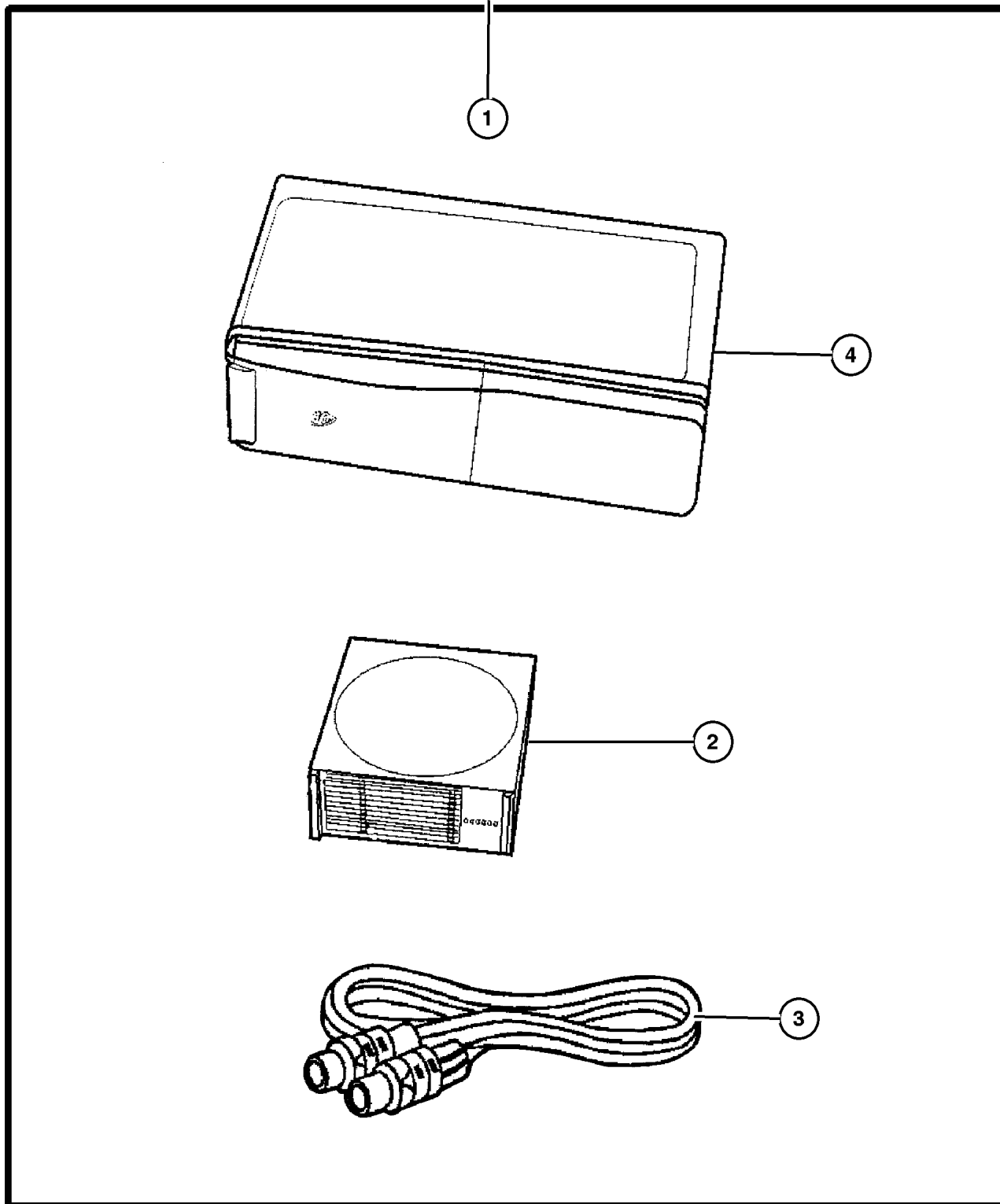
**GROUP 1 - Component Parts for Mopar Accessories**

Illustration Title	Group-Fig. No.
<b>Security</b>	
Alarm - EVS Base System .....	Fig. 001-910
<b>4 - Wheeling &amp; Off Road</b>	
Guard - Rock Rails .....	Fig. 001-1020
Winch Kit - Power .....	Fig. 001-1030



**Player Kit - CD Changer - 6 Disc  
Figure 001-110**

ITEM	PART NUMBER	QTY	LINE	SERIES	BODY	ENGINE	TRANS	TRIM	DESCRIPTION
NOTE; Use with CD-Controlled radios. For radios without CD Changer controls, use FM-Modulator Kit 82202292									
1	8220 2700	1							PLAYER KIT, CD Changer - 6 Disc
2	4797 433	1							MAGAZINE, CD Changer
3	4465 113	1	J		77				CABLE, Din
4									CHANGER, CD, Serviced in Package, (NOT SERVICED) (Not Serviced)

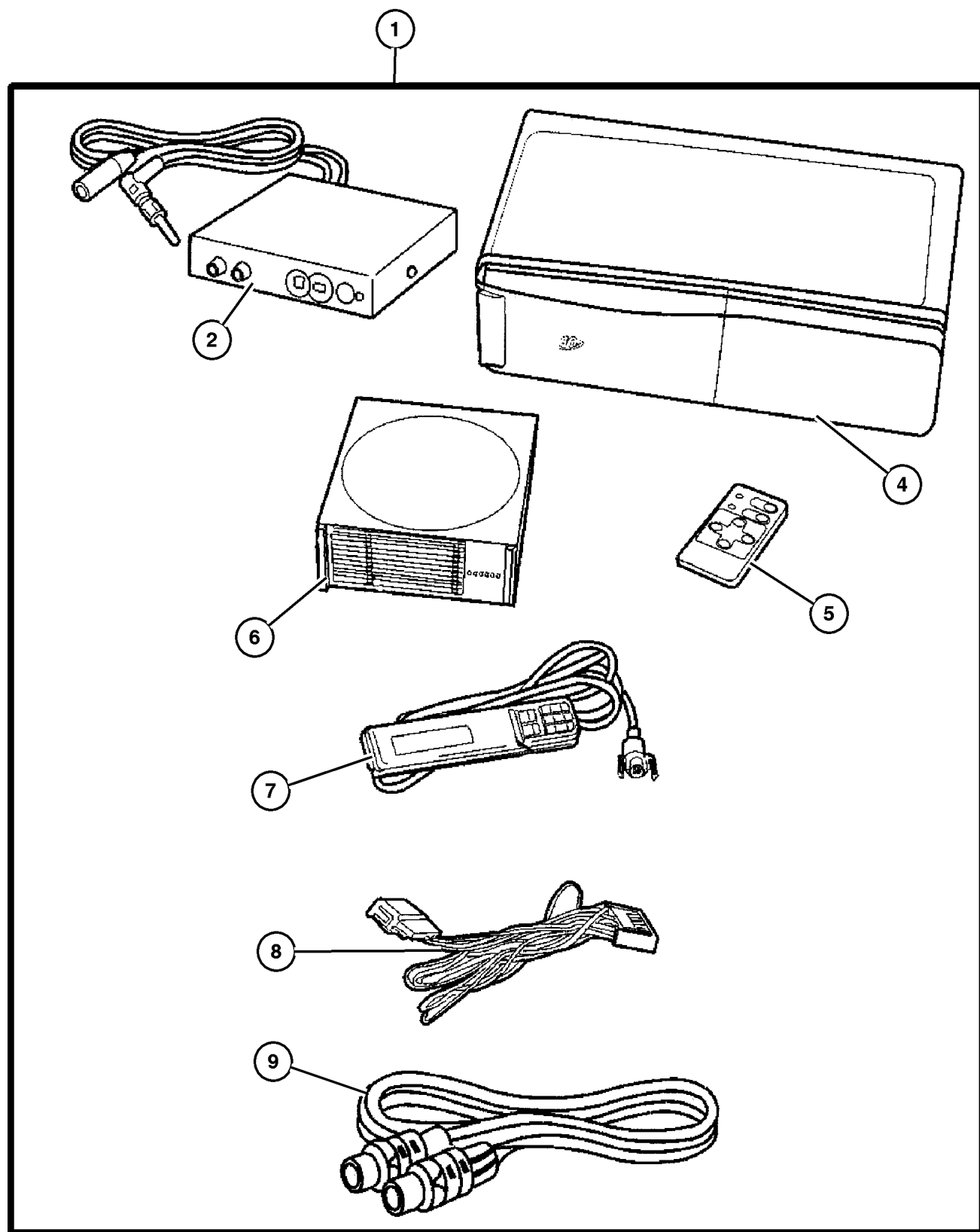


<b>JEEP WRANGLER (TJ)</b>				
SERIES	LINE	BODY	ENGINE	TRANSMISSION
H = Sport	J = Wrangler 4WD	77 = 93.4 WB	EPE, EP0 = 2.5L Power Tech	DGG, DGD = 32RH 3 Spd. Auto.
L = SE	U = Wrangler 4WD (RHD)		ERH, ER0 = 4.0L Power Tech	DDQ = 5 Spd. Manual
P = Sahara				DDD = 5 Speed HD Manual
				DG0 = Auto. Trans.
				DBB = Manual Trans.

AR = Use as required - = Non illustrated part # = New this model year

September 16, 2005

Player Kit -- 12 Disc  
Figure 001-120



ITEM	PART NUMBER	QTY	LINE	SERIES	BODY	ENGINE	TRANS	TRIM	DESCRIPTION
NOTE; For radio without CD controls. Pentastar Logo, Includes RF Modulator, Power Cord, Din Cord, Hand Held and IR Remote Controller and Operating manual, 12 Disc Magazine.									
1	8220 4730	1	J		77				PLAYER KIT, CD Changer - 12 Disc
2	5013 804AA	1	J		77				MODULATOR, FM
-3	5013 800AA-	1	J		77				HARDWARE KIT, Mounting
4	5013 806AA	1	J		77				CHANGER, CD
5	5013 802AA	1	J		77				CONTROLLER, CD Wireless
6	5013 805AA	1	J		77				MAGAZINE, CD Changer
7	5013 803AA	1	J		77				CONTROLLER, CD Wired
8	4465 117	1	J		77				ADAPTOR, A/C
9	5013 801AA	1	J		77				DIN CORD, CD Player, 5 Meters

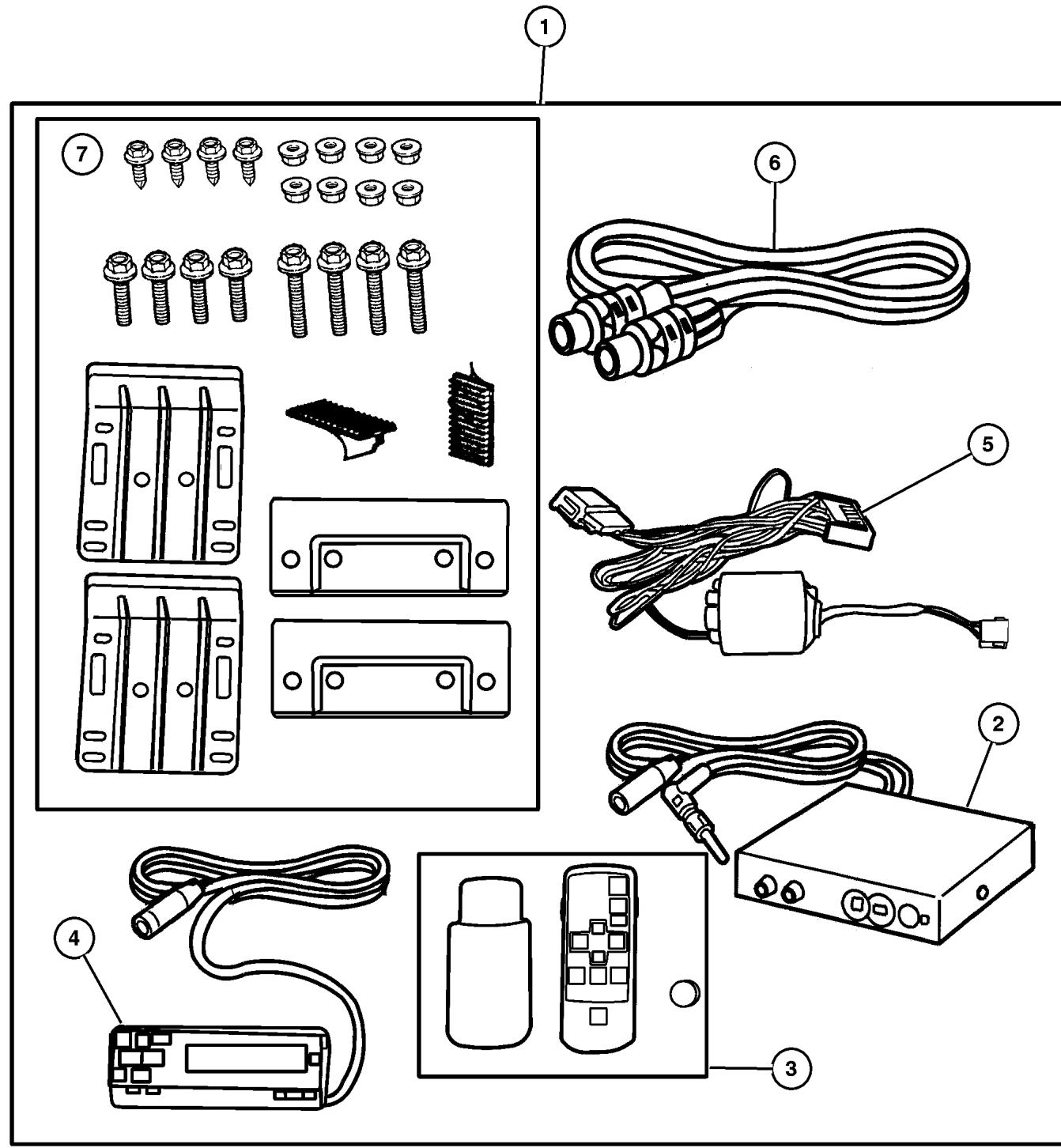
JEEP WRANGLER (TJ)

SERIES	LINE	BODY	ENGINE	TRANSMISSION
H = Sport	J = Wrangler 4WD	77 = 93.4 WB	EPE, EP0 = 2.5L Power Tech	DGG, DGD = 32RH 3 Spd. Auto.
L = SE	U = Wrangler 4WD (RHD)		ERH, ER0 = 4.0L Power Tech	DDQ = 5 Spd. Manual
P = Sahara				DDD = 5 Speed HD Manual
				DG0 = Auto. Trans.
				DBB = Manual Trans.

AR = Use as required - = Non illustrated part # = New this model year

September 16, 2005

**Install Kit - CD Changer - Trunk**  
**Figure 001-130**



ITEM	PART NUMBER	QTY	LINE	SERIES	BODY	ENGINE	TRANS	TRIM	DESCRIPTION
1	8220 2292	1	J		77				INSTALL KIT, CD Changer - Trunk
2									MODULATOR, FM Changer, (NOT SERVICED) (Not Serviced)
3	5017 217AA	1	J		77				CONTROLLER, CD Wireless
4									CONTROLLER, CD Wired, (NOT SERVICED) (Not Serviced)
5	4465 117	1	J		77				ADAPTOR, A/C
6	4465 113	1	J		77				CABLE, Din
7									HARDWARE KIT, Mounting, (NOT SERVICED) (Not Serviced)

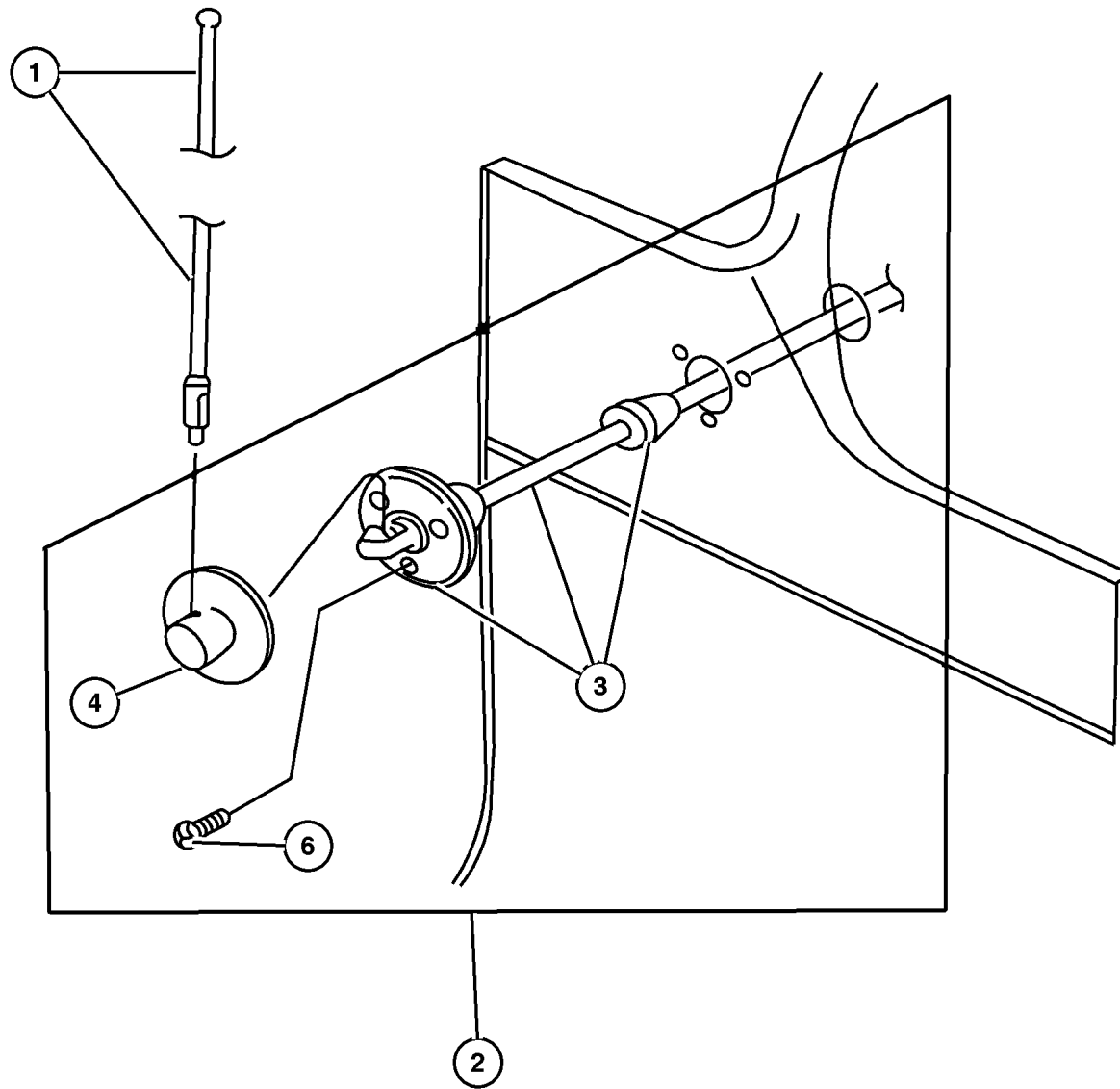
<b>JEEP WRANGLER (TJ)</b>				
SERIES	LINE	BODY	ENGINE	TRANSMISSION
H = Sport	J = Wrangler 4WD	77 = 93.4 WB	EPE, EP0 = 2.5L Power Tech	DGG, DGD = 32RH 3 Spd. Auto.
L = SE	U = Wrangler 4WD (RHD)		ERH, ER0 = 4.0L Power Tech	DDQ = 5 Spd. Manual
P = Sahara				DDD = 5 Speed HD Manual
				DG0 = Auto. Trans.
				DBB = Manual Trans.

AR = Use as required - = Non illustrated part # = New this model year

September 16, 2005

# Antenna Kit Figure 001-150

ITEM	PART NUMBER	QTY	LINE	SERIES	BODY	ENGINE	TRANS	TRIM	DESCRIPTION
1	5600 9081	1							MAST, Antenna
2	8220 2317	1	J		77				ANTENNA PACKAGE, Radio - Manual
3	5600 8788	1							ANTENNA, Base Cable And Bracket
4	5603 8504	1							COVER, Antenna Opening
-5	5600 8786	1							CABLE, Antenna, Extension with 90 Degree Male End.
6									SCREW, Oval Head, .164-18x.75, (NOT SERVICED) (Not Serviced)



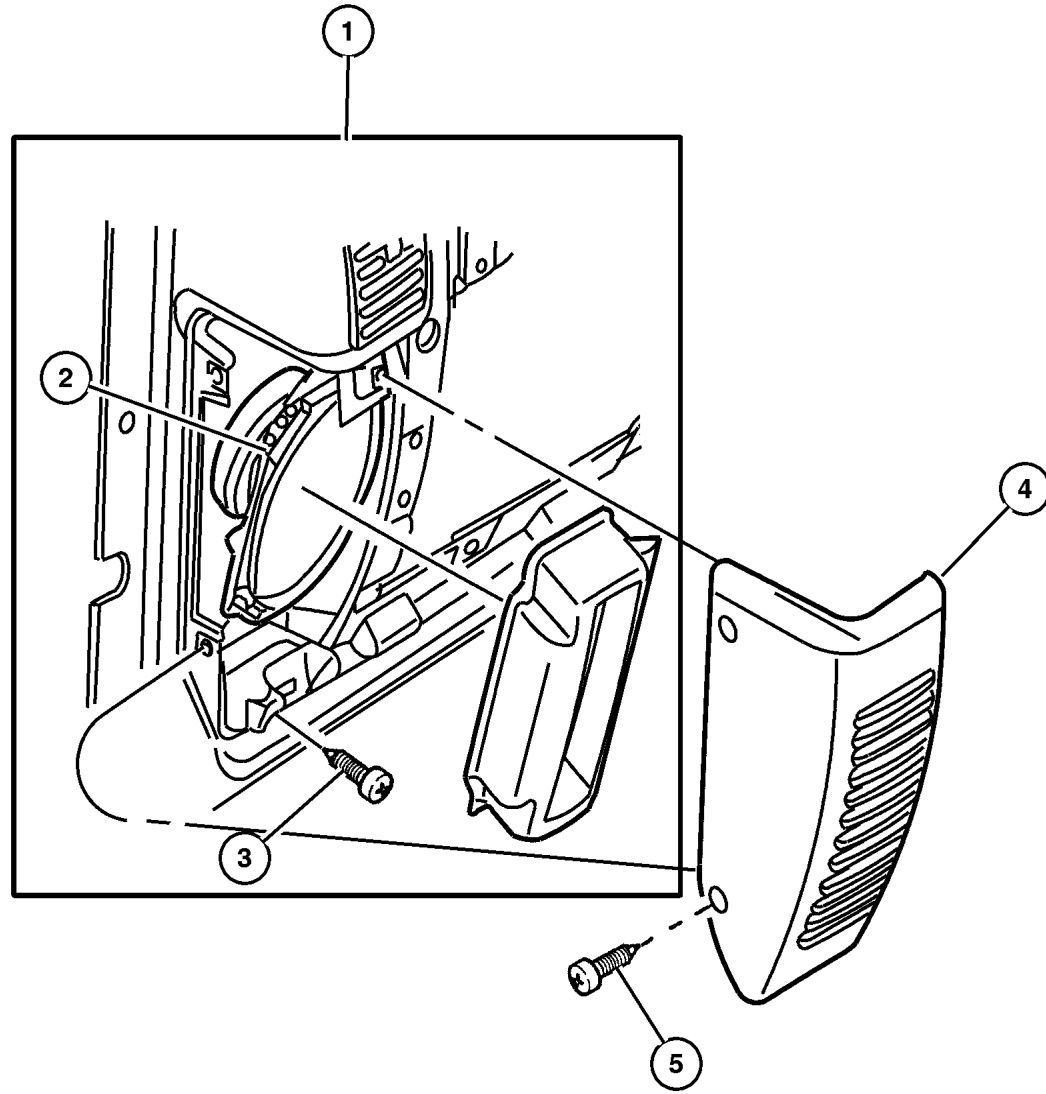
<b>JEEP WRANGLER (TJ)</b>				
SERIES	LINE	BODY	ENGINE	TRANSMISSION
H = Sport	J = Wrangler 4WD	77 = 93.4 WB	EPE, EP0 = 2.5L Power Tech	DGG, DGD = 32RH 3 Spd. Auto.
L = SE	U = Wrangler 4WD (RHD)		ERH, ER0 = 4.0L Power Tech	DDQ = 5 Spd. Manual
P = Sahara				DDD = 5 Speed HD Manual
				DG0 = Auto. Trans.
				DBB = Manual Trans.

AR = Use as required - = Non illustrated part # = New this model year

September 16, 2005

**Speaker Kit - Radio Instrument Panel**  
**Figure 001-160**

ITEM	PART NUMBER	QTY	LINE	SERIES	BODY	ENGINE	TRANS	TRIM	DESCRIPTION
1	8220 6627	1	J		77				SPEAKER PACKAGE, Radio
2	56008 795AC	1	J		77				SPEAKER, Instrument Panel
3	6032 723	1	J		77				SCREW, Self Tapping, M4.2x1.69x19.05
4									BEZEL, Speaker, See Group 8A, (NOT SERVICED) (Not Serviced)
5									SCREW, Piercing, .164-15x1.25, See Group 8A, (NOT SERVICED) (Not Serviced)



**JEEP WRANGLER (TJ)**

SERIES	LINE	BODY	ENGINE	TRANSMISSION
H = Sport	J = Wrangler 4WD	77 = 93.4 WB	EPE, EP0 = 2.5L Power Tech	DGG, DGD = 32RH 3 Spd. Auto.
L = SE	U = Wrangler 4WD (RHD)		ERH, ER0 = 4.0L Power Tech	DDQ = 5 Spd. Manual
P = Sahara				DDD = 5 Speed HD Manual
				DG0 = Auto. Trans.
				DBB = Manual Trans.

AR = Use as required - = Non illustrated part # = New this model year

September 16, 2005

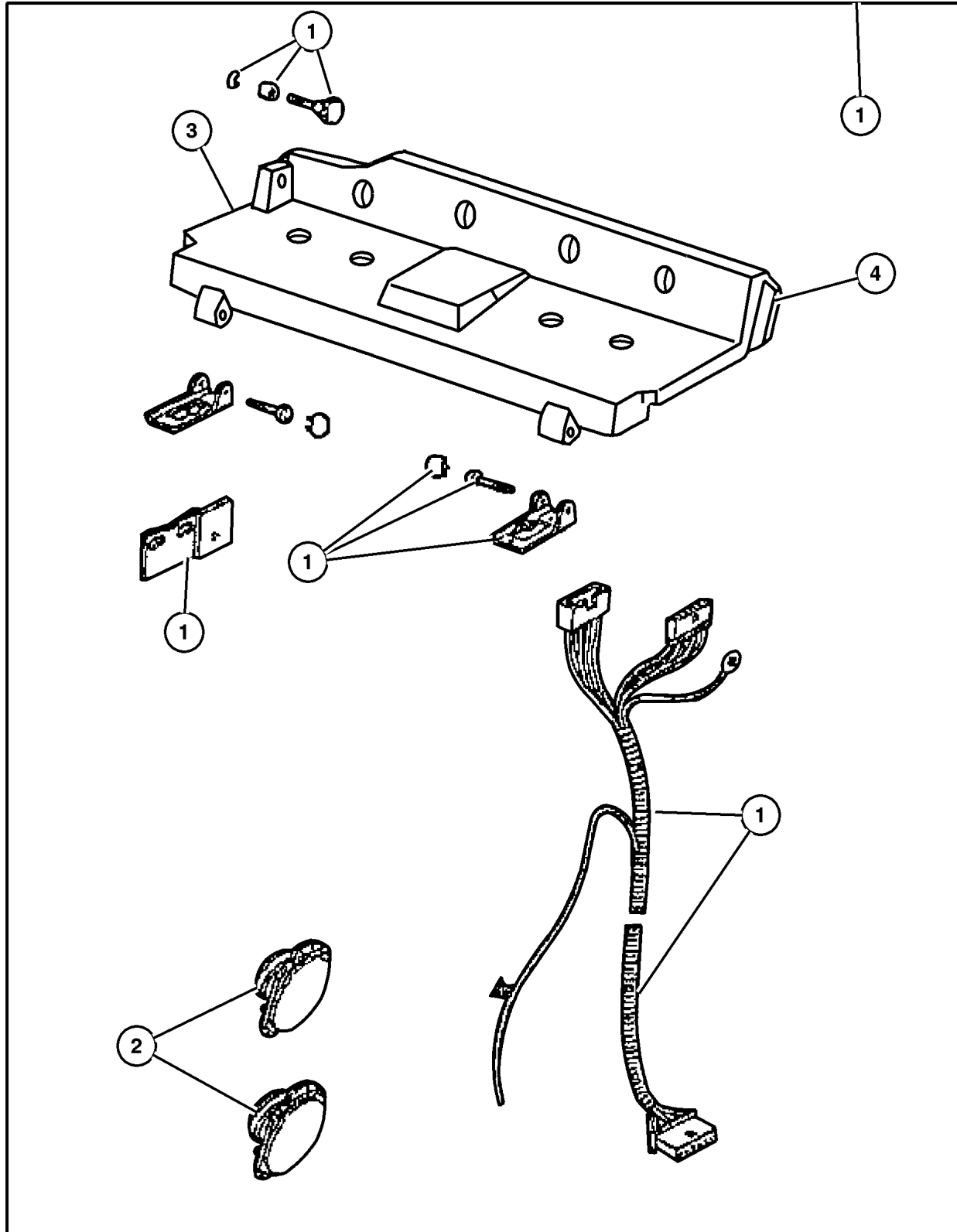


**Speaker Kit - Sub Woofer**  
**Figure 001-162**

ITEM	PART NUMBER	QTY	LINE	SERIES	BODY	ENGINE	TRANS	TRIM	DESCRIPTION
------	-------------	-----	------	--------	------	--------	-------	------	-------------

NOTE: Sub-Woofer, Treeters and Amplifier are located in the panel

1	8220 4808	1	J		77				SPEAKER KIT, Sub Woofer
	8220 4809	1	J		77				Agate
									Camel
2	4883 949	1	J		77				SPEAKER, Rear, 4x6
3	4883 950	1	J		77				SPEAKER, Sub - Woofer, 8 Inch
4	4883 951	1	J		77				SPEAKER, Tweeter
-5	4883 952	1	J		77				AMPLIFIER, Radio



**JEEP WRANGLER (TJ)**

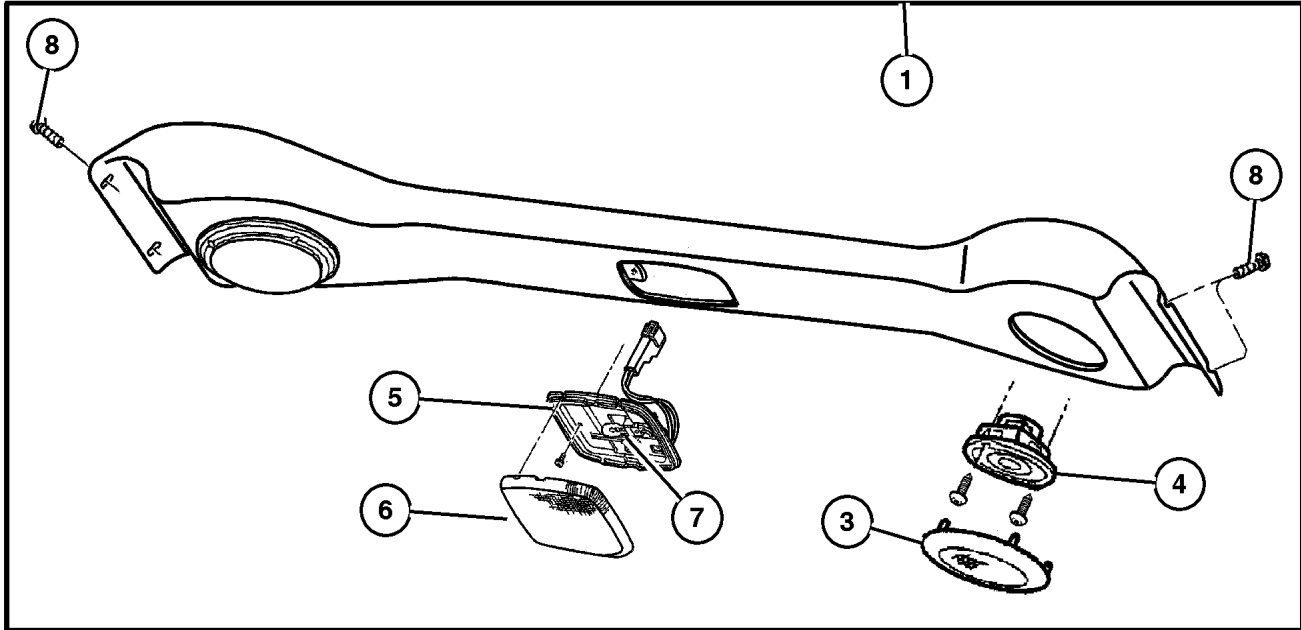
SERIES	LINE	BODY	ENGINE	TRANSMISSION
H = Sport	J = Wrangler 4WD	77 = 93.4 WB	EPE, EP0 = 2.5L Power Tech	DGG, DGD = 32RH 3 Spd. Auto.
L = SE	U = Wrangler 4WD (RHD)		ERH, ER0 = 4.0L Power Tech	DDQ = 5 Spd. Manual
P = Sahara				DDD = 5 Speed HD Manual
				DG0 = Auto. Trans.
				DBB = Manual Trans.

AR = Use as required - = Non illustrated part # = New this model year

September 16, 2005

**Overhead Speakers - Soundbar  
Figure 001-164**

ITEM	PART NUMBER	QTY	LINE	SERIES	BODY	ENGINE	TRANS	TRIM	DESCRIPTION
1									SPEAKER KIT, Sound Bar
	8220 4646	1							Agste
	8220 4647	1							Camel
-2	4874 294	1							COVER, Soundbar
3	4874 296AB	1							GRILLE, Speaker
4	56038 566AC	1							SPEAKER, 5.25"
5	5600 7264	1							BEZEL, Dome Lamp
6	5600 7265	1							LENS, Dome Lamp
7	L000 0912	1							BULB, 912
8	6503 267	4							SCREW, Round Head, M6x1x25



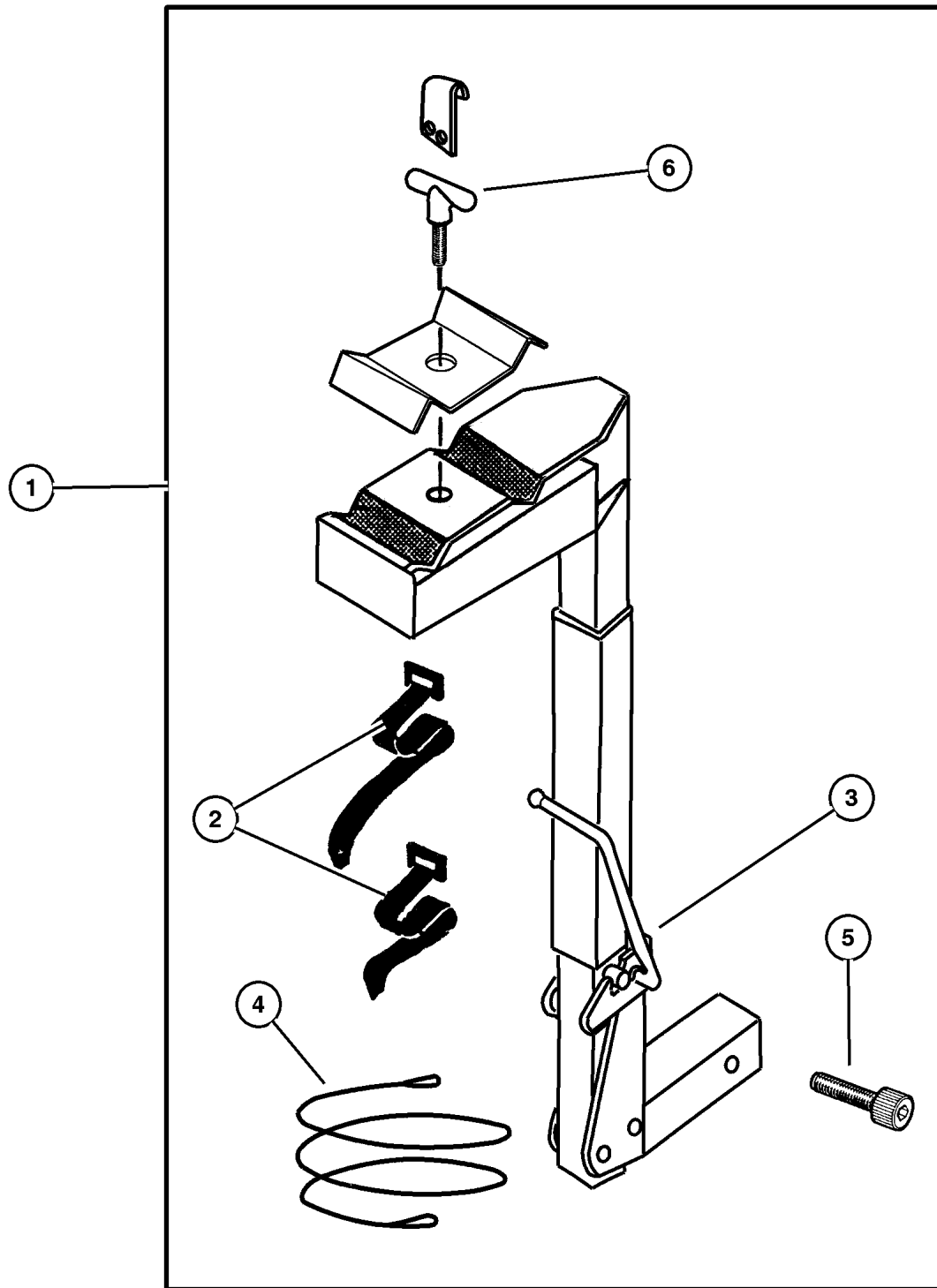
<b>JEEP WRANGLER (TJ)</b>				
SERIES	LINE	BODY	ENGINE	TRANSMISSION
H = Sport	J = Wrangler 4WD	77 = 93.4 WB	EPE, EP0 = 2.5L Power Tech	DGG, DGD = 32RH 3 Spd. Auto.
L = SE	U = Wrangler 4WD (RHD)		ERH, ER0 = 4.0L Power Tech	DDQ = 5 Spd. Manual
P = Sahara				DDD = 5 Speed HD Manual
				DG0 = Auto. Trans.
				DBB = Manual Trans.

AR = Use as required - = Non illustrated part # = New this model year

September 16, 2005

**Bike Carrier - Hitch Mount 2 Bikes**  
**Figure 001-220**

ITEM	PART NUMBER	QTY	LINE	SERIES	BODY	ENGINE	TRANS	TRIM	DESCRIPTION
NOTE: Folds down for access to rear deck, has anti theft bolts.									
1	8220 4452	1	J		77				CARRIER KIT, Bike, 1.25 inch Receiver
2	4762 880	1	J		77				STRAP KIT, Velcro, Consists of: 1- Long and 1- Short Strap
3	5016 775AA	1	J		77				STRAP KIT, Bike Carrier Latch, Consists of: 2- Rubber Straps
4	4762 882	1	J		77				LOCK KIT, Bike Carrier Handle
5	5016 774AA	1	J		77				BOLT KIT, Security, Consists of: Security Bolt and Wrench
6	5016 610AA	1	J		77				HARDWARE KIT, Accessory, T-Handle



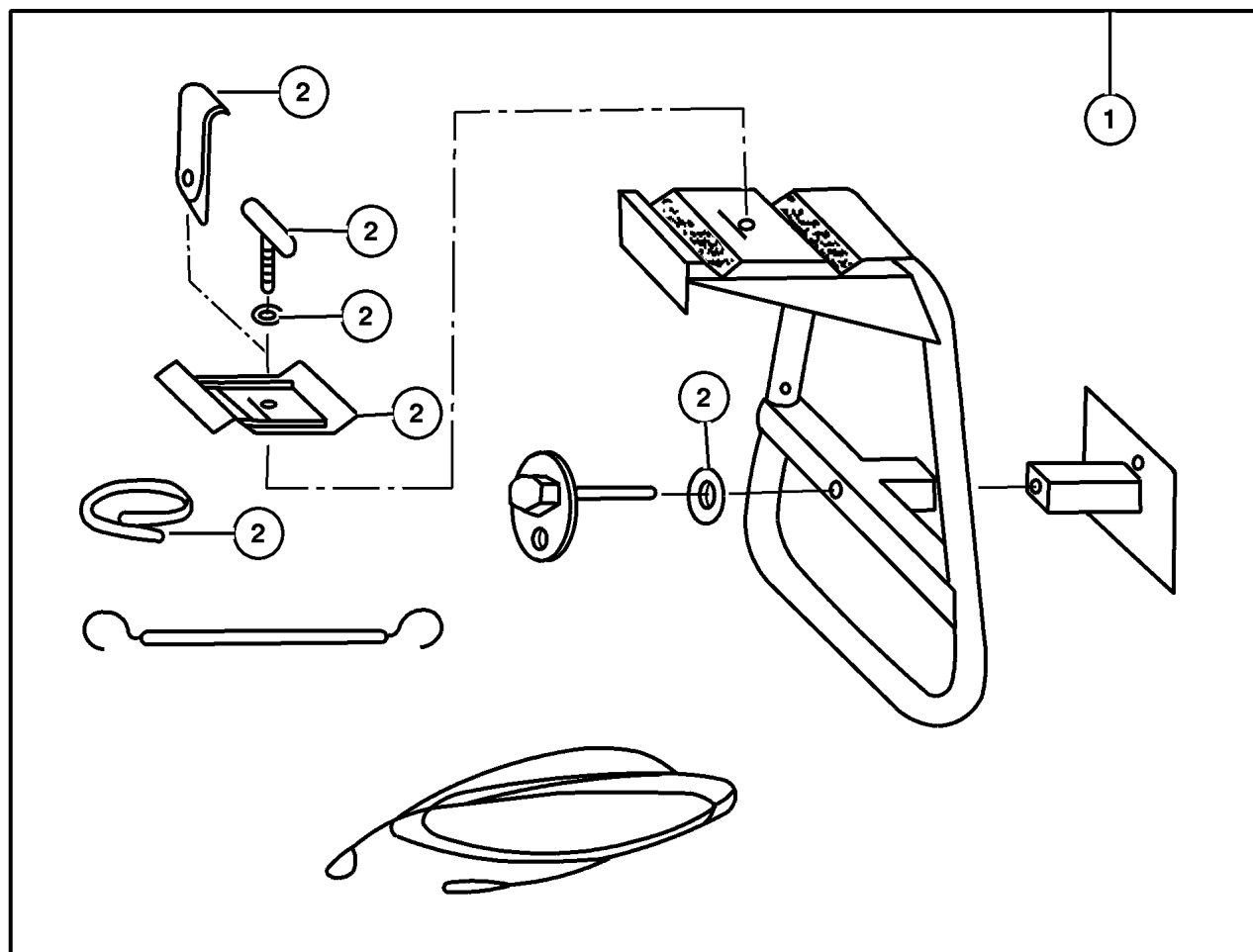
<b>JEEP WRANGLER (TJ)</b>				
SERIES	LINE	BODY	ENGINE	TRANSMISSION
H = Sport	J = Wrangler 4WD	77 = 93.4 WB	EPE, EP0 = 2.5L Power Tech	DGG, DGD = 32RH 3 Spd. Auto.
L = SE	U = Wrangler 4WD (RHD)		ERH, ER0 = 4.0L Power Tech	DDQ = 5 Spd. Manual
P = Sahara				DDD = 5 Speed HD Manual
				DG0 = Auto. Trans.
				DBB = Manual Trans.

AR = Use as required - = Non illustrated part # = New this model year

September 16, 2005

**Bike Carrier - Spare Tire Mount**  
**Figure 001-222**

ITEM	PART NUMBER	QTY	LINE	SERIES	BODY	ENGINE	TRANS	TRIM	DESCRIPTION
NOTE: Mounts to Spare Tire - Holds two Bikes with Crossbars									
1	8220 1480	1	J		77				CARRIER KIT, Bike
2	5018 825AA	1	J		77				HARDWARE KIT, Bike Carrier, Consists of: T-Handle, Lock Strap, Top Clamp Assy. Nylon Washers.



<b>JEEP WRANGLER (TJ)</b>				
SERIES	LINE	BODY	ENGINE	TRANSMISSION
H = Sport	J = Wrangler 4WD	77 = 93.4 WB	EPE, EP0 = 2.5L Power Tech	DGG, DGD = 32RH 3 Spd. Auto.
L = SE	U = Wrangler 4WD (RHD)		ERH, ER0 = 4.0L Power Tech	DDQ = 5 Spd. Manual
P = Sahara				DDD = 5 Speed HD Manual
				DG0 = Auto. Trans.
				DBB = Manual Trans.

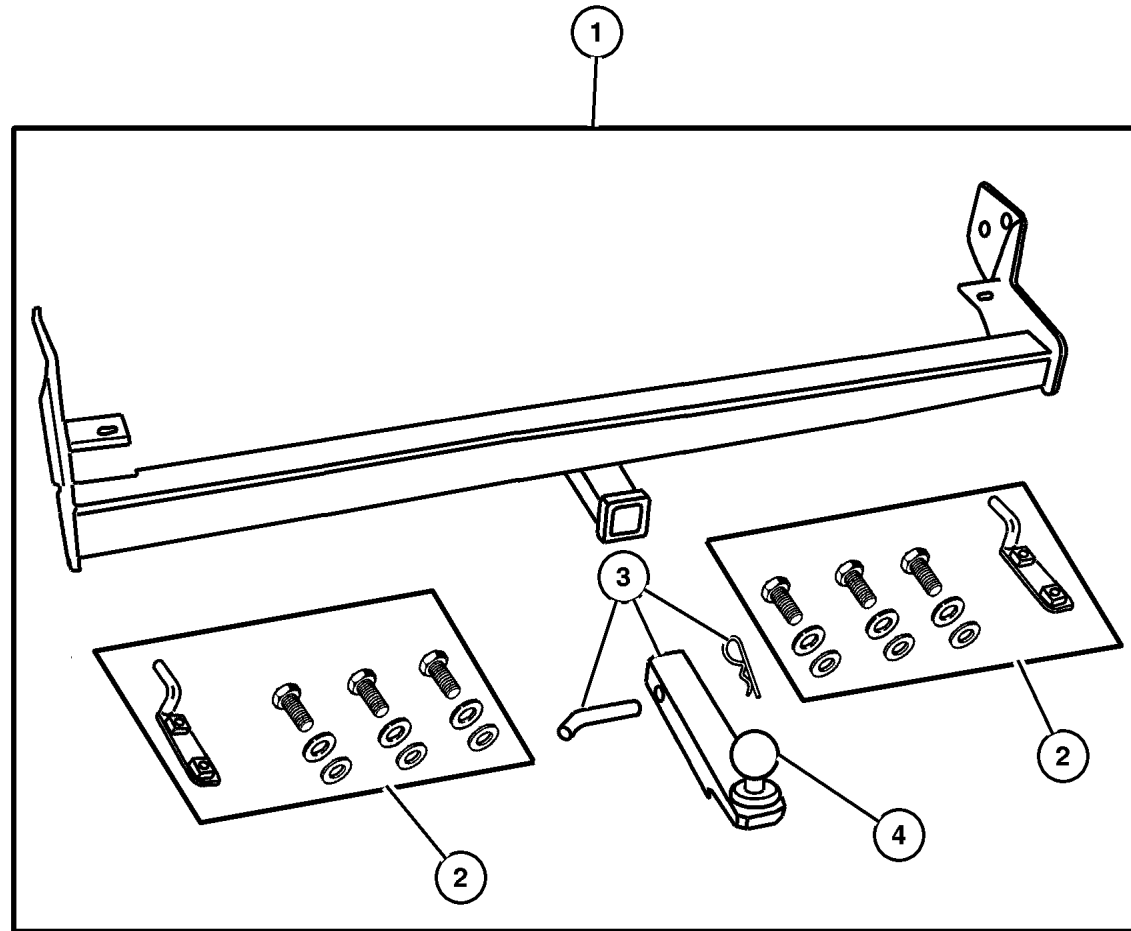
AR = Use as required - = Non illustrated part # = New this model year

September 16, 2005



**Trailer Tow - Receiver Kit  
Figure 001-250**

ITEM	PART NUMBER	QTY	LINE	SERIES	BODY	ENGINE	TRANS	TRIM	DESCRIPTION
1	8220 4119	1	J		77				RECEIVER KIT, Trailer Tow
2									HARDWARE KIT, Hitch, Serviced in Kit, (NOT SERVICED) (Not Serviced)
3	4549 284	1	J		77				DRAWBAR, Attachment
4	8240 1104	1	J		77				BALL KIT, Trailer Tow, Includes Drawbar, Pin and Clip

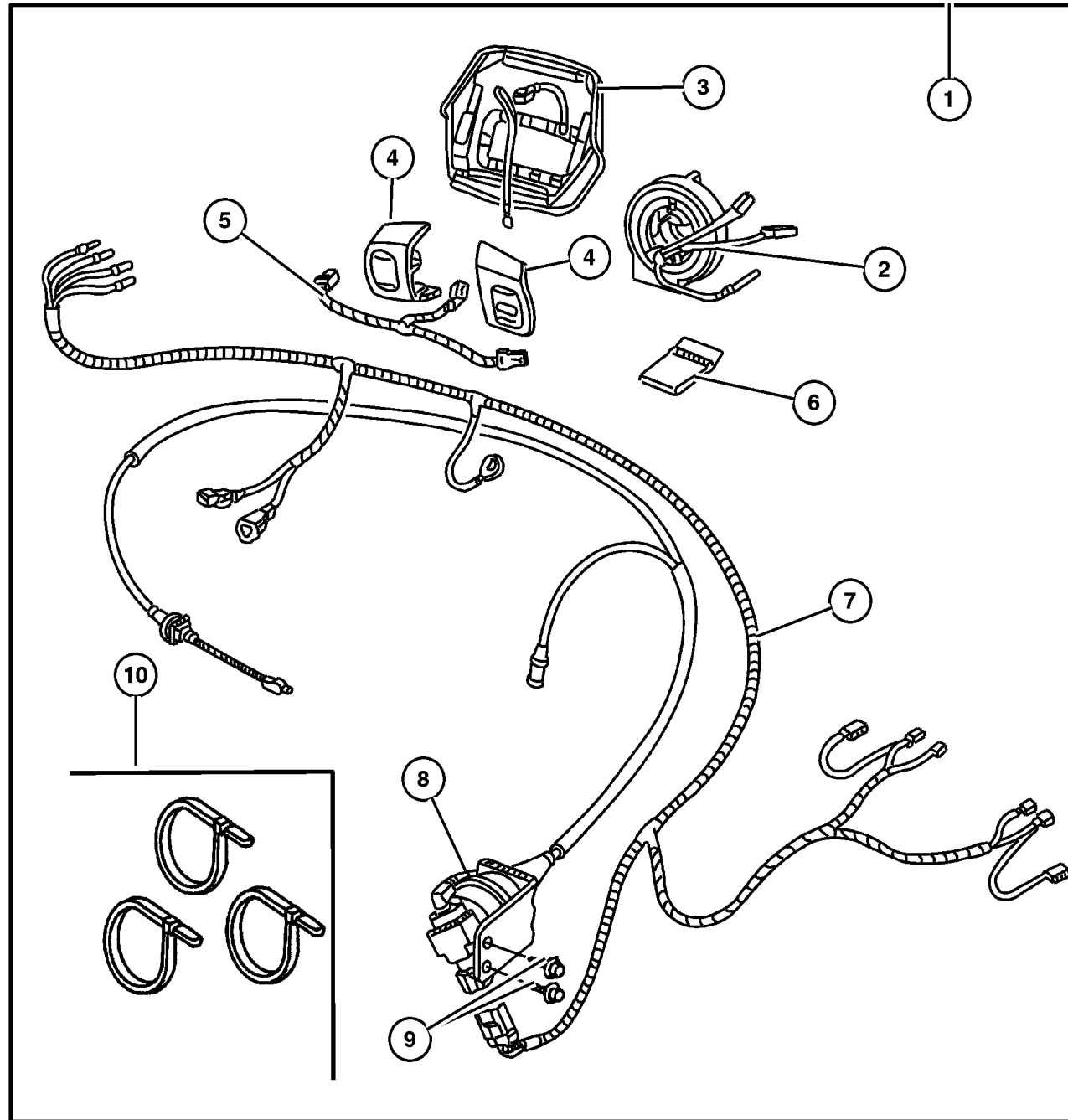


<b>JEEP WRANGLER (TJ)</b>			
SERIES	LINE	BODY	ENGINE
H = Sport	J = Wrangler 4WD	77 = 93.4 WB	EPE, EP0 = 2.5L Power Tech
L = SE	U = Wrangler 4WD (RHD)		ERH, ER0 = 4.0L Power Tech
P = Sahara			
			TRANSMISSION
			DGG, DGD = 32RH 3 Spd. Auto.
			DDQ = 5 Spd. Manual
			DDD = 5 Speed HD Manual
			DG0 = Auto. Trans.
			DBB = Manual Trans.

AR = Use as required - = Non illustrated part # = New this model year

September 16, 2005

**Speed Control Kit  
Figure 001-310**



ITEM	PART NUMBER	QTY	LINE	SERIES	BODY	ENGINE	TRANS	TRIM	DESCRIPTION
1	8220 6977	1	J		77				CONTROL PACKAGE, Speed Control
2	56047 105AB	1	J		77				CLOCKSPRING
3	4798 182	1							COVER, Air Bag Module
4	56007 530AD	1	J		77				SWITCH, Speed Control
5	5600 9437	1	J		77				WIRING, Steering Wheel
6									FASTENER, Trim Cover, (NOT SERVICED) (Not Serviced)
7									WIRING, Speed Control, (NOT SERVICED) (Not Serviced)
8									SERVO, Speed Control, Same as Production, (NOT SERVICED) (Not Serviced)
9									SCREW, Hex Head, M6x1x20, (NOT SERVICED) (Not Serviced)
10	6015 756	1							STRAP, Tie, Seven inch

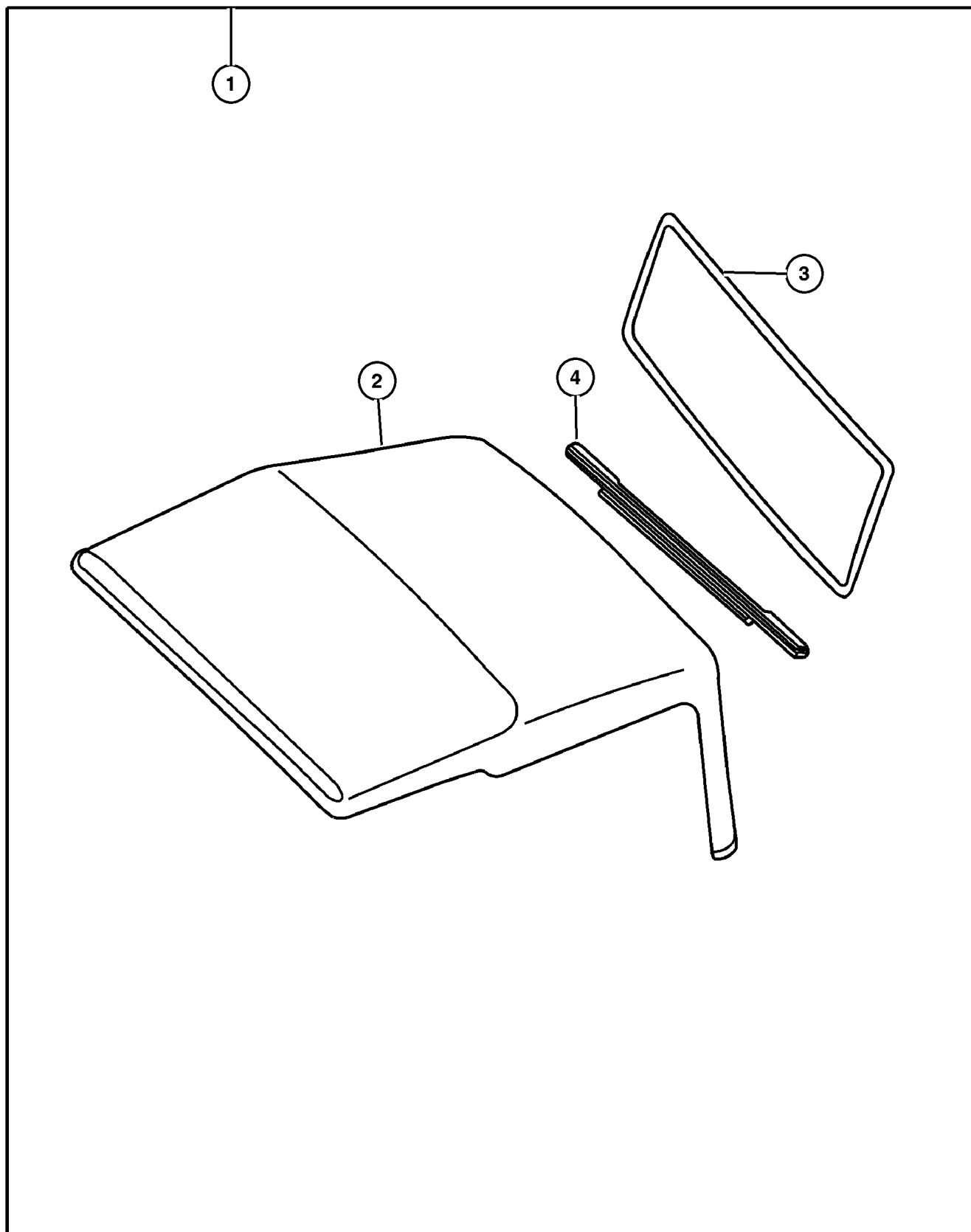
**JEEP WRANGLER (TJ)**

SERIES	LINE	BODY	ENGINE	TRANSMISSION
H = Sport	J = Wrangler 4WD	77 = 93.4 WB	EPE, EP0 = 2.5L Power Tech	DGG, DGD = 32RH 3 Spd. Auto.
L = SE	U = Wrangler 4WD (RHD)		ERH, ER0 = 4.0L Power Tech	DDQ = 5 Spd. Manual
P = Sahara				DDD = 5 Speed HD Manual
				DG0 = Auto. Trans.
				DBB = Manual Trans.

AR = Use as required - = Non illustrated part # = New this model year

September 16, 2005

**Top Kit - Soft Hardtop Replacement  
Figure 001-320**



ITEM	PART NUMBER	QTY	LINE	SERIES	BODY	ENGINE	TRANS	TRIM	DESCRIPTION
NOTE: Half door window Kits must be ordered separately									
1									TOP KIT, Soft - Hardtop Replacement
	8220 2125	1	J		77				Black
	8220 4553	1	J		77				Tan
	8220 6623	1	J		77				Black, Premium Sail Cloth
	8220 6624	1	J		77				Tan, Premium Sail Cloth
2									COVER, Soft Top
	5HM35 SX9AA	1	J		77				Black
	5HM35 VK9AA	1	J		77				Tan
3									WINDOW, Tailgate
	5HM37 SX9AA	1	J		77				Black
	5HM37 VK9AA	1	J		77				Tan
4	55176 736AB	1	J		77				RETAINER, Soft Top Rail
-5									WINDOW KIT, Door - Front, Use with half door
	8220 2129	1	J		77				Black Denim
	8220 4554	1	J		77				Tan
	8220 6625	1	J		77				Black Denim Sail Cloth Material
	8220 6626	1	J		77				Tan Sail Cloth Material

**JEEP WRANGLER (TJ)**

SERIES	LINE	BODY	ENGINE	TRANSMISSION
H = Sport	J = Wrangler 4WD	77 = 93.4 WB	EPE, EP0 = 2.5L Power Tech	DGG, DGD = 32RH 3 Spd. Auto.
L = SE	U = Wrangler 4WD (RHD)		ERH, ER0 = 4.0L Power Tech	DDQ = 5 Spd. Manual
P = Sahara				DDD = 5 Speed HD Manual
				DG0 = Auto. Trans.
				DBB = Manual Trans.

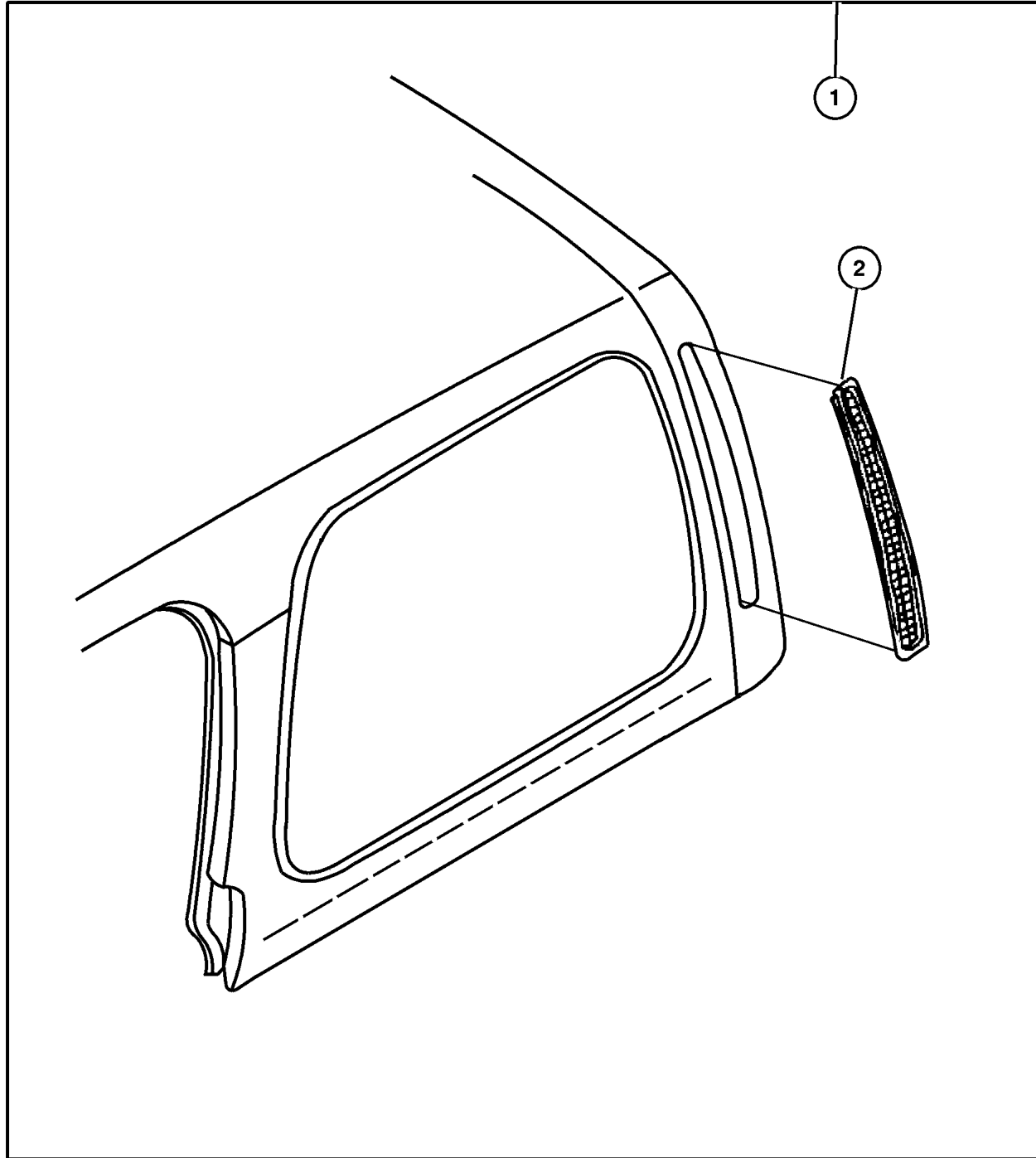
AR = Use as required - = Non illustrated part # = New this model year

September 16, 2005



Hardtop Exhauster  
Figure 001-322

ITEM	PART NUMBER	QTY	LINE	SERIES	BODY	ENGINE	TRANS	TRIM	DESCRIPTION
1									TOP, Hard
	8220 3607	1	J		77				Black
	8220 3608	1	J		77				White
	8220 4706	1	J		77				Dark Tan
2									EXHAUSTER, Front Door
	5503 6306	1	J		77				Right
	5503 6307	1	J		77				Left

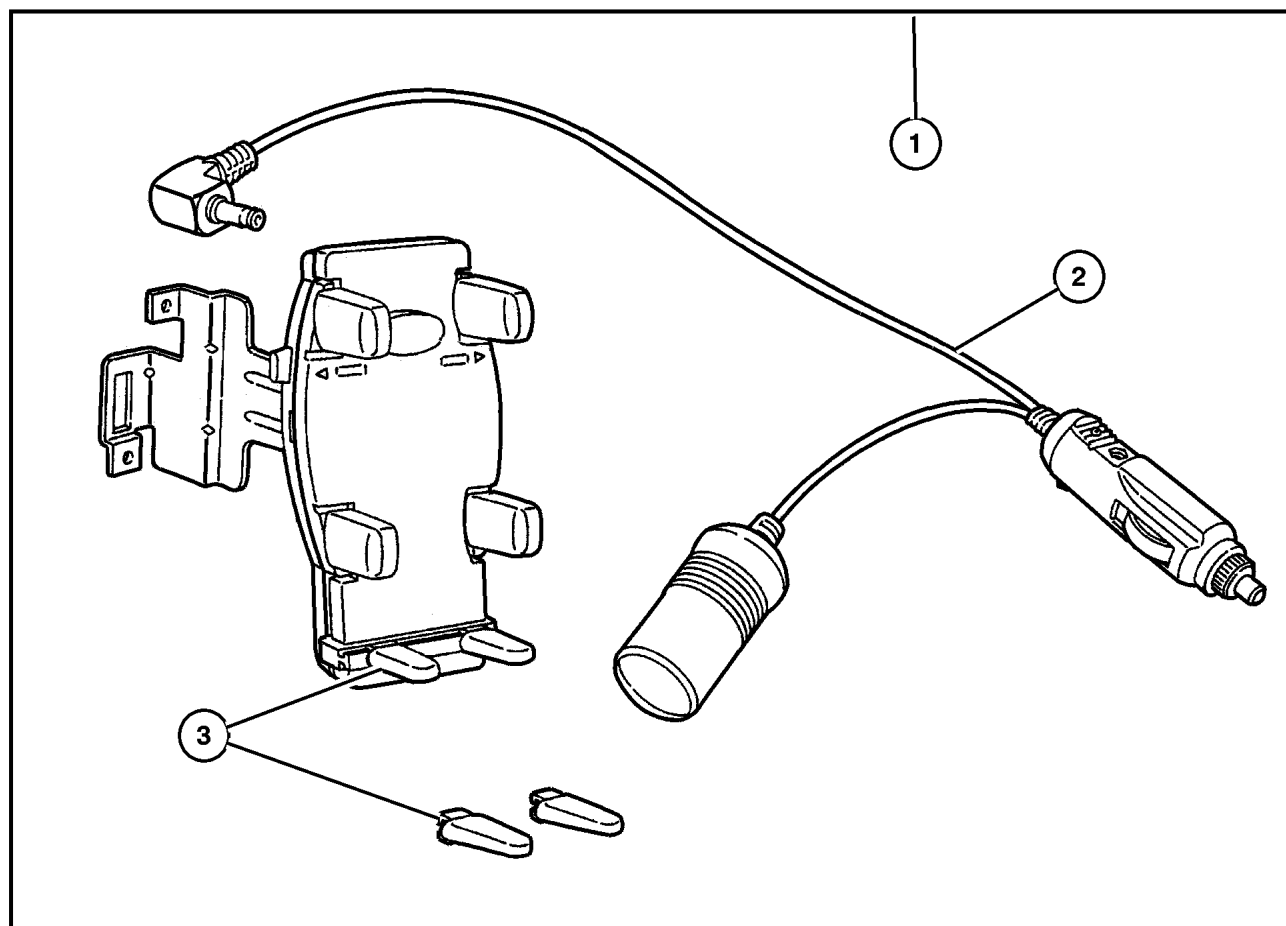


**JEEP WRANGLER (TJ)**

SERIES	LINE	BODY	ENGINE	TRANSMISSION
H = Sport	J = Wrangler 4WD	77 = 93.4 WB	EPE, EP0 = 2.5L Power Tech	DGG, DGD = 32RH 3 Spd. Auto.
L = SE	U = Wrangler 4WD (RHD)		ERH, ER0 = 4.0L Power Tech	DDQ = 5 Spd. Manual
P = Sahara				DDD = 5 Speed HD Manual
				DG0 = Auto. Trans.
				DBB = Manual Trans.

**Mounting Kit - Cell Phone**  
**Figure 001-330**

ITEM	PART NUMBER	QTY	LINE	SERIES	BODY	ENGINE	TRANS	TRIM	DESCRIPTION
1	8220 5275	1							MOUNTING KIT, Cellular Phone
2	5016 536AA	1			77				CORD, Cellular Phone, 18 inches in length.Has 'Y'Accessory feed to plug in another 12V Accessory.
3	5018 103AA	1							HARDWARE KIT, Accessory, Consists of: 1 set of Long and 1 set of Short Support Feet.



<b>JEEP WRANGLER (TJ)</b>			
SERIES	LINE	BODY	ENGINE
H = Sport	J = Wrangler 4WD	77 = 93.4 WB	EPE, EP0 = 2.5L Power Tech
L = SE	U = Wrangler 4WD (RHD)		ERH, ER0 = 4.0L Power Tech
P = Sahara			
			TRANSMISSION
			DGG, DGD = 32RH 3 Spd. Auto.
			DDQ = 5 Spd. Manual
			DDD = 5 Speed HD Manual
			DG0 = Auto. Trans.
			DBB = Manual Trans.

AR = Use as required - = Non illustrated part # = New this model year

September 16, 2005

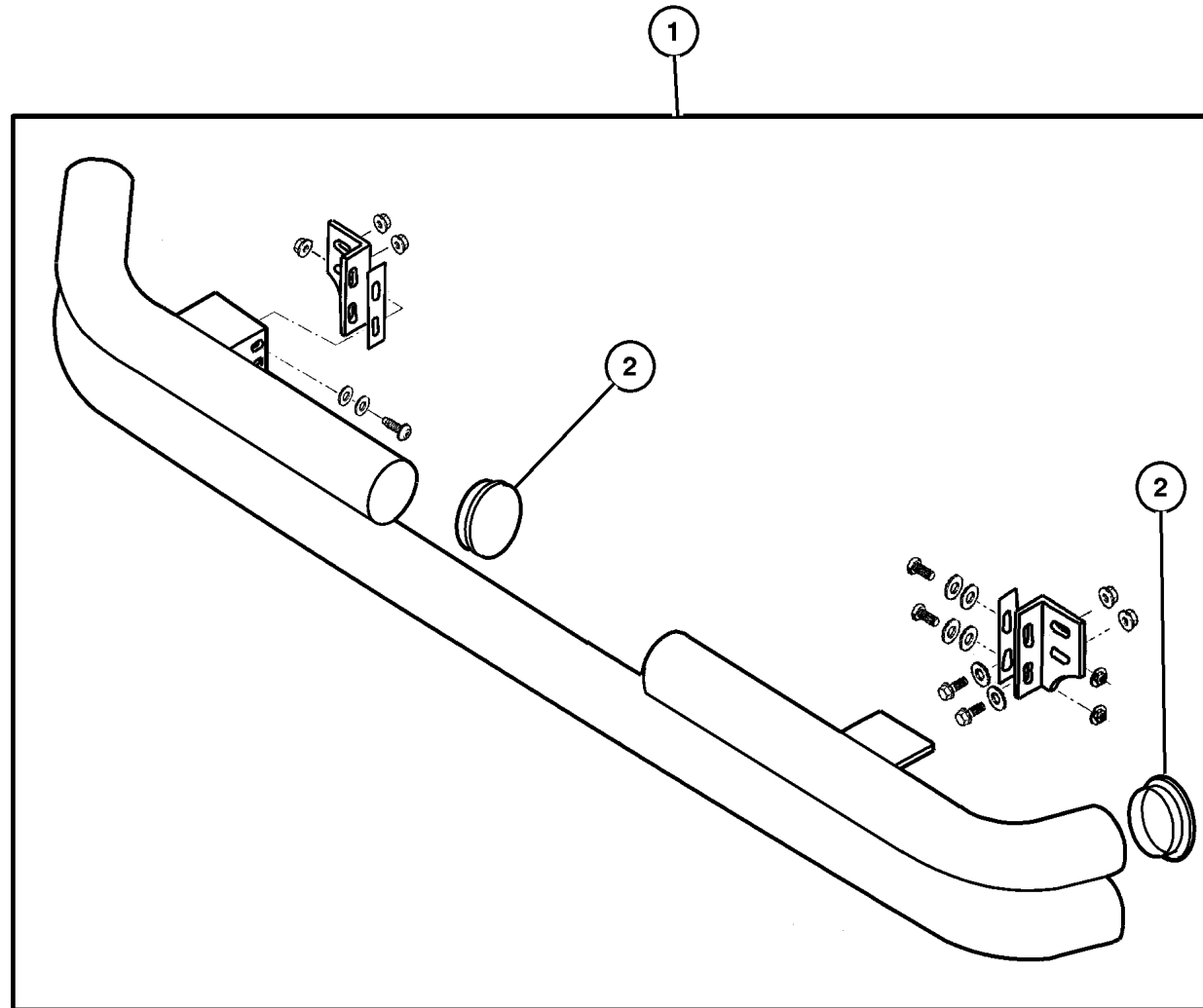


**Bumper Kit - Rear Tubular**  
**Figure 001-420**

ITEM	PART NUMBER	QTY	LINE	SERIES	BODY	ENGINE	TRANS	TRIM	DESCRIPTION
------	-------------	-----	------	--------	------	--------	-------	------	-------------

NOTE; Total of 6 End Caps are Required.

1	8220 3290	1	J		77				BUMPER KIT, Tubular-Rear Black painted Steel
	8220 3293	1	J		77				Natural anodized Aluminum
	8220 3294	1	J		77				Black anodized Aluminum
	8220 3295	1	J		77				Chromed Steel
2	4897 576AA	1							END CAP, Bumper Used for Kits 82203290 and 82203295
	4897 577AA	1	J		77				Used for Kits 82203293 and 882203294



**JEEP WRANGLER (TJ)**

SERIES  
H = Sport  
L = SE  
P = Sahara

LINE  
J = Wrangler 4WD  
U = Wrangler 4WD (RHD)

BODY  
77 = 93.4 WB

ENGINE  
EPE, EP0 = 2.5L Power Tech  
ERH, ER0 = 4.0L Power Tech

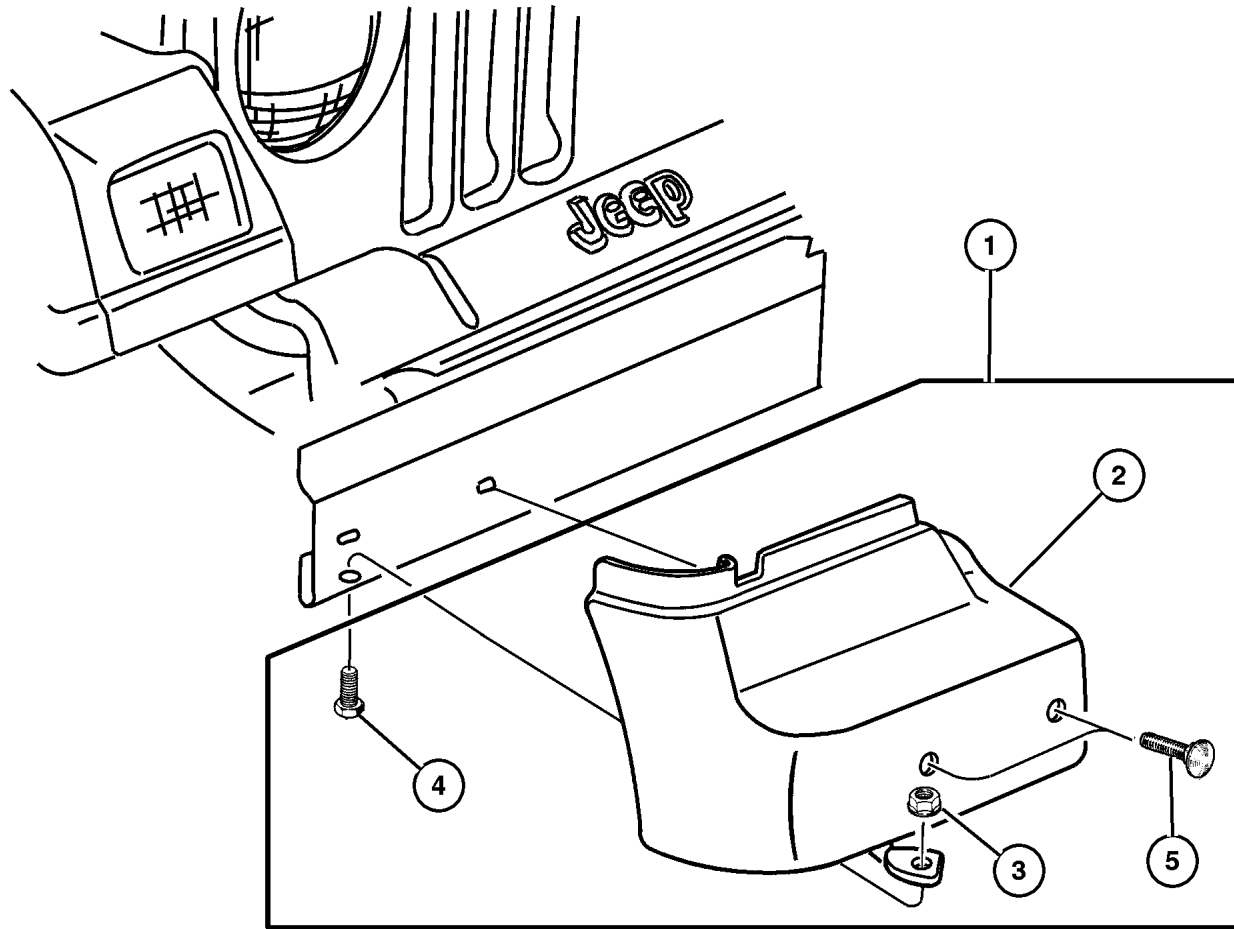
TRANSMISSION  
DGG, DGD = 32RH 3 Spd. Auto.  
DDQ = 5 Spd. Manual  
DDD = 5 Speed HD Manual  
DG0 = Auto. Trans.  
DBB = Manual Trans.

AR = Use as required - = Non illustrated part # = New this model year

September 16, 2005

**Extension Kit - Bumper Front**  
**Figure 001-430**

ITEM	PART NUMBER	QTY	LINE	SERIES	BODY	ENGINE	TRANS	TRIM	DESCRIPTION
1	8220 2378	1	J		77				EXTENSION PACKAGE, Front
2									Bumper COVER, Bumper
	55155 668AB	1							Right
	55155 669AB	1							Left
3	6035 739	6	J						NUT
4	6504 212	2							SCREW, Large Round Washer Head Lock, M6x1.00x20.00
5	6504 723	4							BOLT



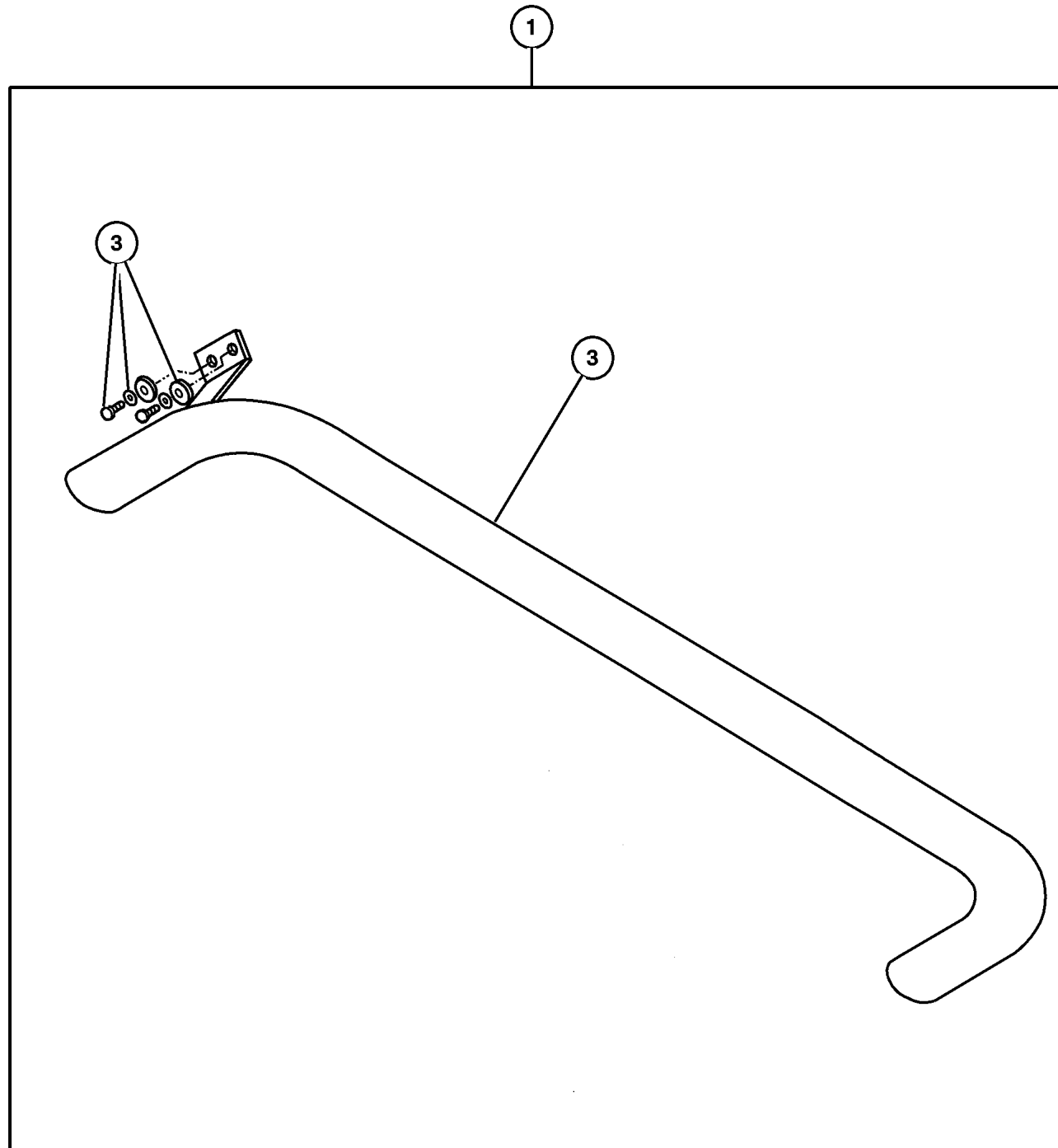
<b>JEEP WRANGLER (TJ)</b>				
SERIES	LINE	BODY	ENGINE	TRANSMISSION
H = Sport	J = Wrangler 4WD	77 = 93.4 WB	EPE, EP0 = 2.5L Power Tech	DGG, DGD = 32RH 3 Spd. Auto.
L = SE	U = Wrangler 4WD (RHD)		ERH, ER0 = 4.0L Power Tech	DDQ = 5 Spd. Manual
P = Sahara				DDD = 5 Speed HD Manual
				DG0 = Auto. Trans.
				DBB = Manual Trans.

AR = Use as required - = Non illustrated part # = New this model year

September 16, 2005



**Side Step Kit - Tubular**  
**Figure 001-442**



ITEM	PART NUMBER	QTY	LINE	SERIES	BODY	ENGINE	TRANS	TRIM	DESCRIPTION
1									STEP KIT, Tubular Side
	8220 2137	1	J		77				Black Steel
	8220 2138	1	J		77				Black Anodized Aluminum
	8220 2139	1	J		77				Natural Anodized Aluminum
	8220 2140	1	J		77				Chromed Steel
-2									STEP, Right Side
	5018 546AA-	1	J		77				Black Steel
	5018 622AA-	1	J		77				Black Anodized Aluminum
	5018 676AA-	1	J		77				Natural Anodized Aluminum
	5018 678AA-	1	J		77				Chromed Steel
3									STEP, Left Side
	5018 547AA	1	J		77				Black Steel
	5018 623AA	1	J		77				Black Anodized Aluminum
	5018 677AA	1	J		77				Natural Anodized Aluminum
	5018 681AA	1	J		77				Chromed Steel

**JEEP WRANGLER (TJ)**

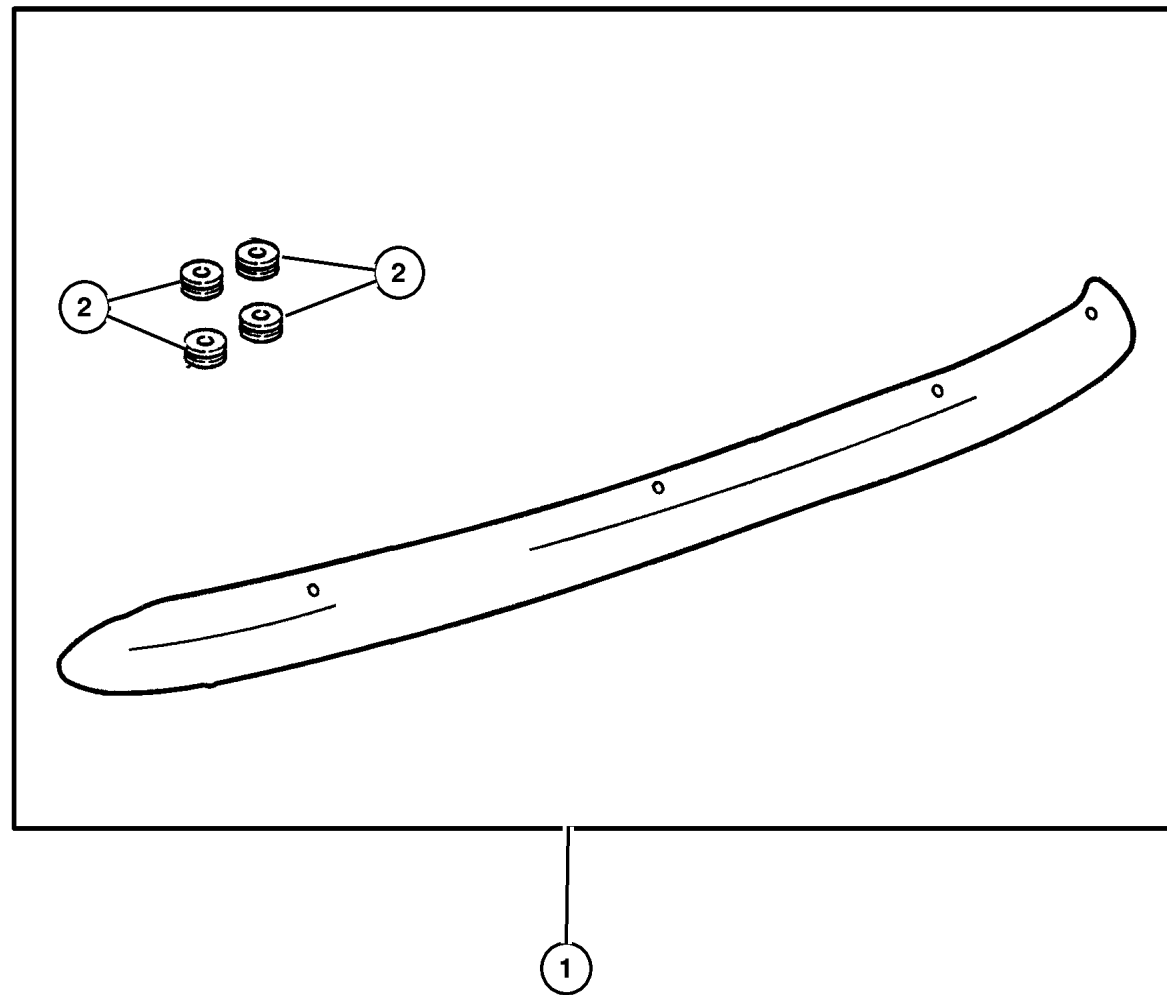
SERIES	LINE	BODY	ENGINE	TRANSMISSION
H = Sport	J = Wrangler 4WD	77 = 93.4 WB	EPE, EP0 = 2.5L Power Tech	DGG, DGD = 32RH 3 Spd. Auto.
L = SE	U = Wrangler 4WD (RHD)		ERH, ER0 = 4.0L Power Tech	DDQ = 5 Spd. Manual
P = Sahara				DDD = 5 Speed HD Manual
				DG0 = Auto. Trans.
				DBB = Manual Trans.

AR = Use as required - = Non illustrated part # = New this model year

September 16, 2005

**Shield Kit - Air Front**  
**Figure 001-510**

ITEM	PART NUMBER	QTY	LINE	SERIES	BODY	ENGINE	TRANS	TRIM	DESCRIPTION
1	8220 2160	1	J		77				SHIELD KIT, Air - Front
2	5014 754AA	1	J		77				SPACER, Air Deflector



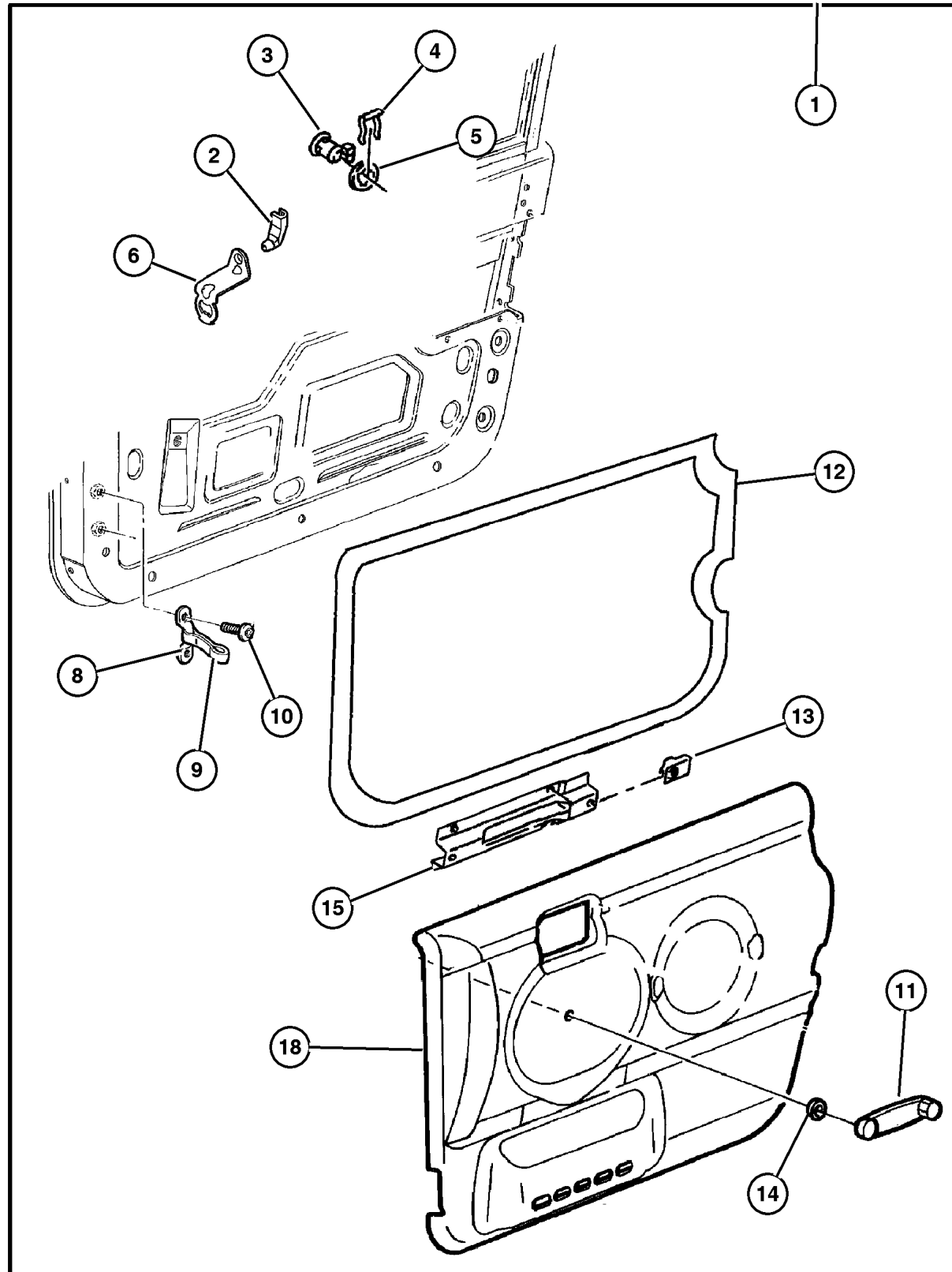
<b>JEEP WRANGLER (TJ)</b>				
SERIES	LINE	BODY	ENGINE	TRANSMISSION
H = Sport	J = Wrangler 4WD	77 = 93.4 WB	EPE, EP0 = 2.5L Power Tech	DGG, DGD = 32RH 3 Spd. Auto.
L = SE	U = Wrangler 4WD (RHD)		ERH, ER0 = 4.0L Power Tech	DDQ = 5 Spd. Manual
P = Sahara				DDD = 5 Speed HD Manual
				DG0 = Auto. Trans.
				DBB = Manual Trans.

AR = Use as required - = Non illustrated part # = New this model year

September 16, 2005



Trim Kit - Door  
Figure 001-520



ITEM	PART NUMBER	QTY	LINE	SERIES	BODY	ENGINE	TRANS	TRIM	DESCRIPTION
1									TRIM PACKAGE, Front Door
	8220 5113	1	J		77				Agate
	8220 5114	1	J		77				Camel
2									CLIP, Latch
	4658 444	1	J		77				Purple, Right
	4658 445	1	J		77				Orange, Left
3	4778 123	1	J		77				CYLINDER, Door Lock
4	55176 401AB	1	J		77				RETAINER, Door Lock Cylinder
5	5507 4799	1	J		77				GASKET, Door Lock Cylinder, Black
6	5507 6307	1	J		77				LEVER, Door Lock
-7	6504 417	1	J		77				NUT, Hex, M8x1.25
8	5501 3666	1	J		77				FOOTMAN LOOP, Hold Down
9	5517 6339	1	J		77				CHECK, Front Door
10	6036 102AA	4							SCREW, .19-24.50
11	FW80 PX9	1	J		77				HANDLE, Window Regulator
12									WATERSHIELD, Front Door
	55175 786AF	1	J		77				Right
	55175 787AF	1	J		77				Left
13	6504 993AA	1	J		77				NUT
14	5507 6218	2							SPACER, Door Handle
15	55175 848AC	2							BRACKET, Grab Handle
-16	6504 617	1	J		77				SCREW, M4.2-1.41x13
-17	3420 1872	1	J		77				NUT, Snap In, M4.2 x 1.41
18									PANEL, Door Trim
	5DY66 1K5AC	1	J		77				Camel, Right
	5DY67 1K5AC	1	J		77				Camel, Left
	5DY66 LAZAC	1	J		77				Agate, Right
	5DY67 LAZAC	1	J		77				Agate, Left

JEEP WRANGLER (TJ)

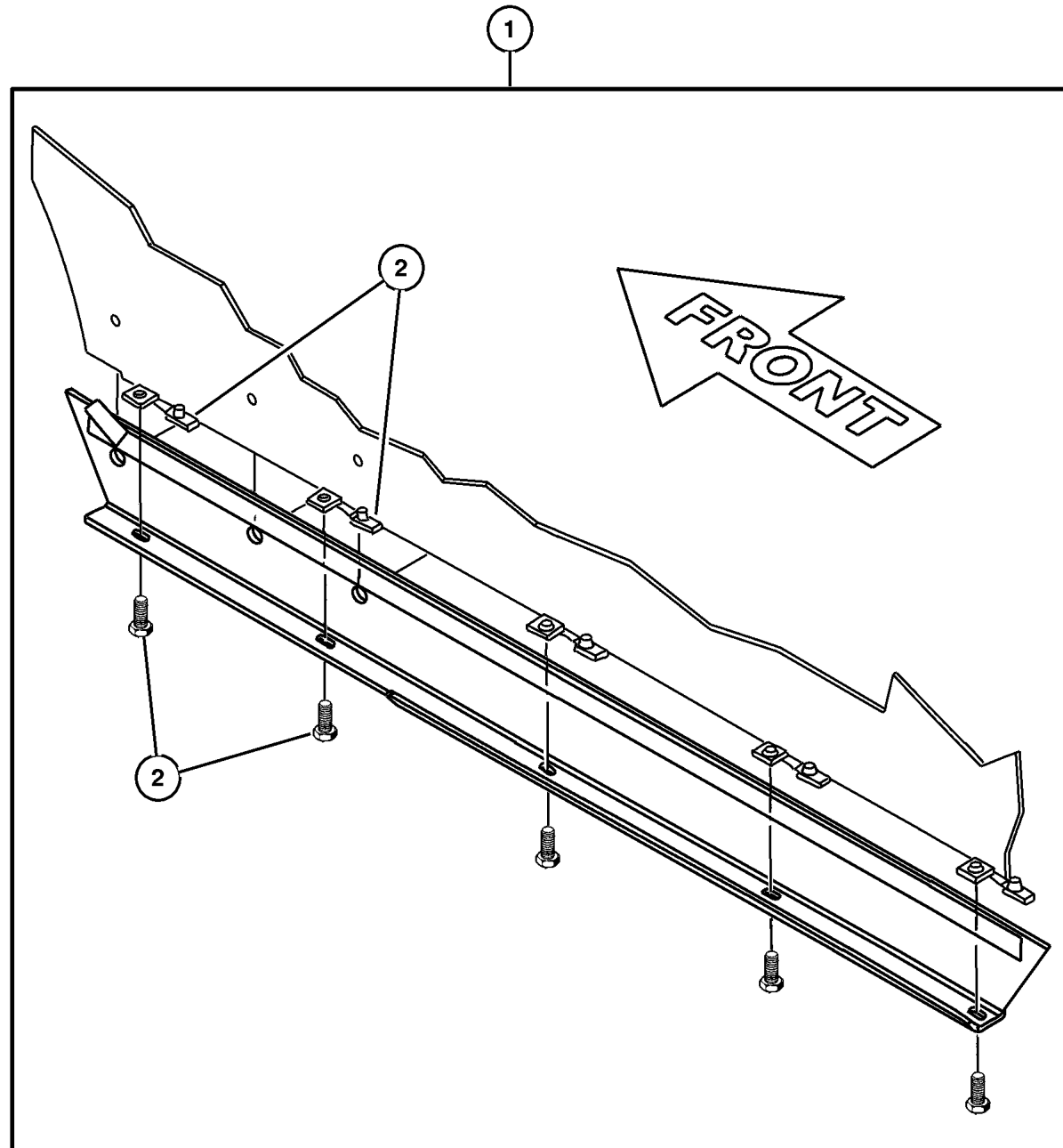
SERIES	LINE	BODY	ENGINE	TRANSMISSION
H = Sport	J = Wrangler 4WD	77 = 93.4 WB	EPE, EP0 = 2.5L Power Tech	DGG, DGD = 32RH 3 Spd. Auto.
L = SE	U = Wrangler 4WD (RHD)		ERH, ER0 = 4.0L Power Tech	DDQ = 5 Spd. Manual
P = Sahara				DDD = 5 Speed HD Manual
				DG0 = Auto. Trans.
				DBB = Manual Trans.

AR = Use as required - = Non illustrated part # = New this model year

September 16, 2005

**Moulding Kit - Rocker Guard**  
**Figure 001-530**

ITEM	PART NUMBER	QTY	LINE	SERIES	BODY	ENGINE	TRANS	TRIM	DESCRIPTION
1	8220 4733	1	J		77				MOLDING KIT, Lowerside, Includes two rocker guards and complete hardware kit
2	5019 779AA	1	J		77				HARDWARE KIT, Bodyside Guard, Contains hardware for installation of one rocker guard



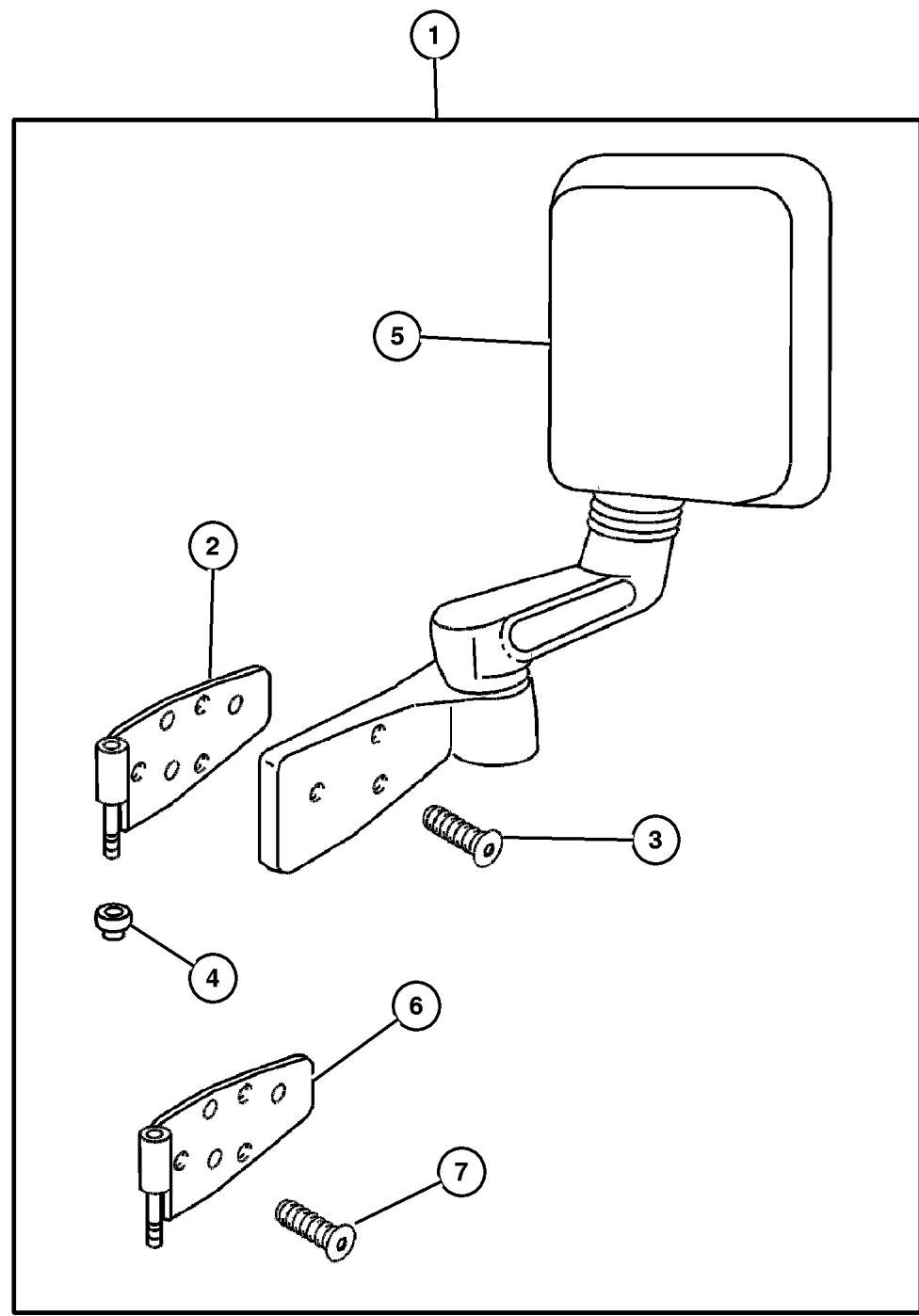
**JEEP WRANGLER (TJ)**

SERIES	LINE	BODY	ENGINE	TRANSMISSION
H = Sport	J = Wrangler 4WD	77 = 93.4 WB	EPE, EP0 = 2.5L Power Tech	DGG, DGD = 32RH 3 Spd. Auto.
L = SE	U = Wrangler 4WD (RHD)		ERH, ER0 = 4.0L Power Tech	DDQ = 5 Spd. Manual
P = Sahara				DDD = 5 Speed HD Manual
				DG0 = Auto. Trans.
				DBB = Manual Trans.

AR = Use as required - = Non illustrated part # = New this model year

September 16, 2005

**Hardware Package - Door**  
**Figure 001-540**



ITEM	PART NUMBER	QTY	LINE	SERIES	BODY	ENGINE	TRANS	TRIM	DESCRIPTION
1	8220 3488	1	J		77				HARDWARE PACKAGE, Door, Hinge And Mirror
2	5517 6368	1							HINGE, Door Half Upper Right
	5517 6369	1							Upper Left
3	6034 566	6							SCREW, Tapping Flange Head, .25-20x.875
4	6504 417	4							NUT, Hex, M8x1.25
5									MIRROR, Outside Rearview
	5515 4882	1	J						Right
	5515 4883	1	J						Left
6									HINGE, Door Half Lower Right
	5517 6366	1							Lower Left
	5517 6367	1							Lower Left
7	6035 757	4							SCREW

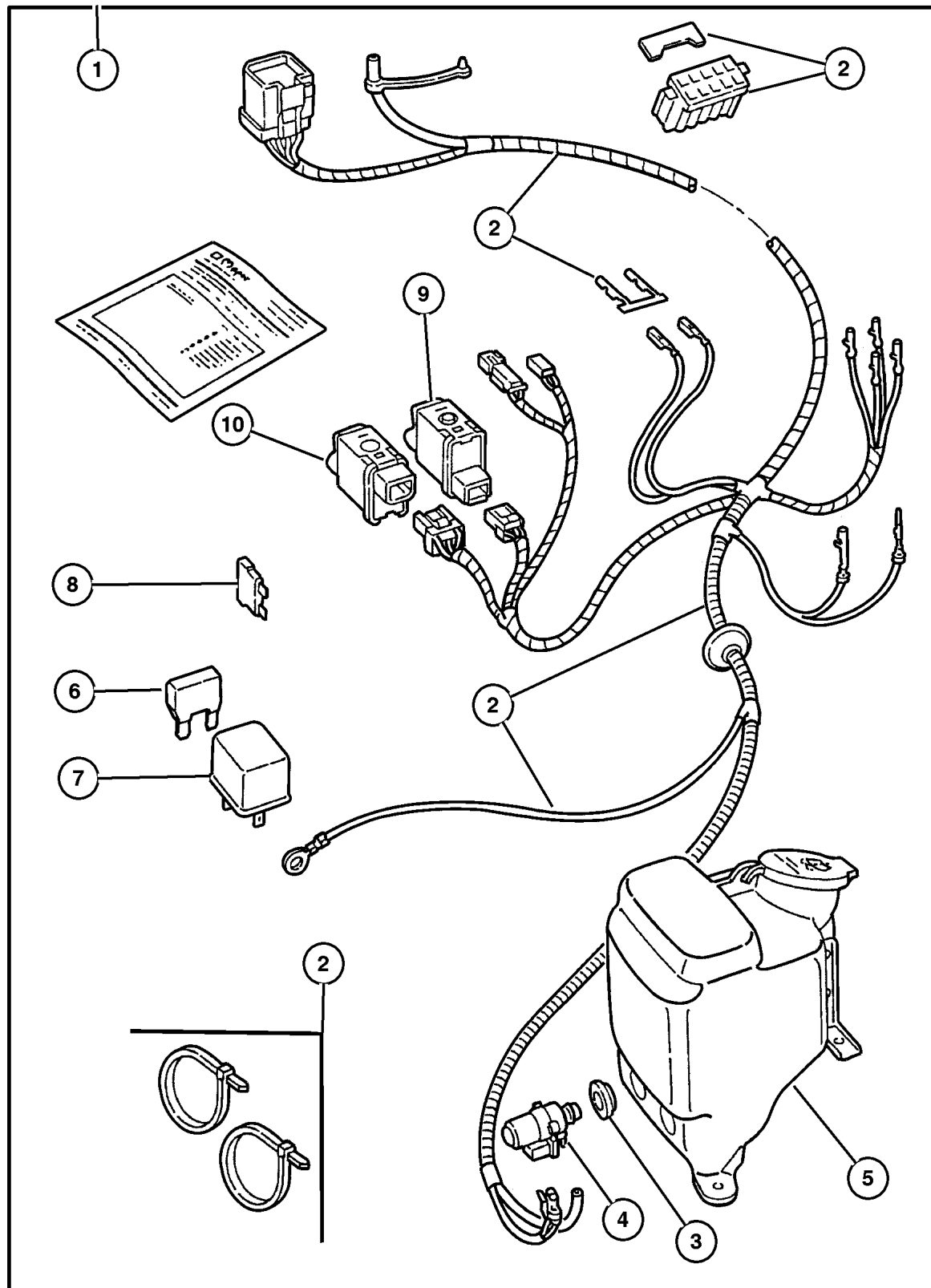
**JEEP WRANGLER (TJ)**

SERIES	LINE	BODY	ENGINE	TRANSMISSION
H = Sport	J = Wrangler 4WD	77 = 93.4 WB	EPE, EP0 = 2.5L Power Tech	DGG, DGD = 32RH 3 Spd. Auto.
L = SE	U = Wrangler 4WD (RHD)		ERH, ER0 = 4.0L Power Tech	DDQ = 5 Spd. Manual
P = Sahara				DDD = 5 Speed HD Manual
				DG0 = Auto. Trans.
				DBB = Manual Trans.

AR = Use as required - = Non illustrated part # = New this model year

September 16, 2005

## Hardtop Wiring Kit Figure 001-550



ITEM	PART NUMBER	QTY	LINE	SERIES	BODY	ENGINE	TRANS	TRIM	DESCRIPTION
1	8220 5621	1	J		77				WIRING PACKAGE, Enclosure
2									WIRING KIT, Enclosure, Serviced in package, (NOT SERVICED) (Not Serviced)
3	5013 755AA	1	J		77				GROMMET, Washer Reservoir
4	4797 695	1	J		77				PUMP, Washer, Windshield
5	4874 393	1	J		77				RESERVOIR, Washer
6	00MA X40	1	J		77				FUSE, Maxi, 40 AMP, Amber
7	4638 094	1	J		77				RELAY PACKAGE, Electrical
8	00AT M10	1	J		77				FUSE, Mini, 10 AMP, Red
9	5600 7250	1	J		77				SWITCH, Electric Back Light
10	5600 7249	1	J		77				SWITCH, Wiper and Washer
-11	6102 077AA-	1	J		77				FUSE CARTRIDGE, 40 Amp

### JEEP WRANGLER (TJ)

SERIES  
H = Sport  
L = SE  
P = Sahara

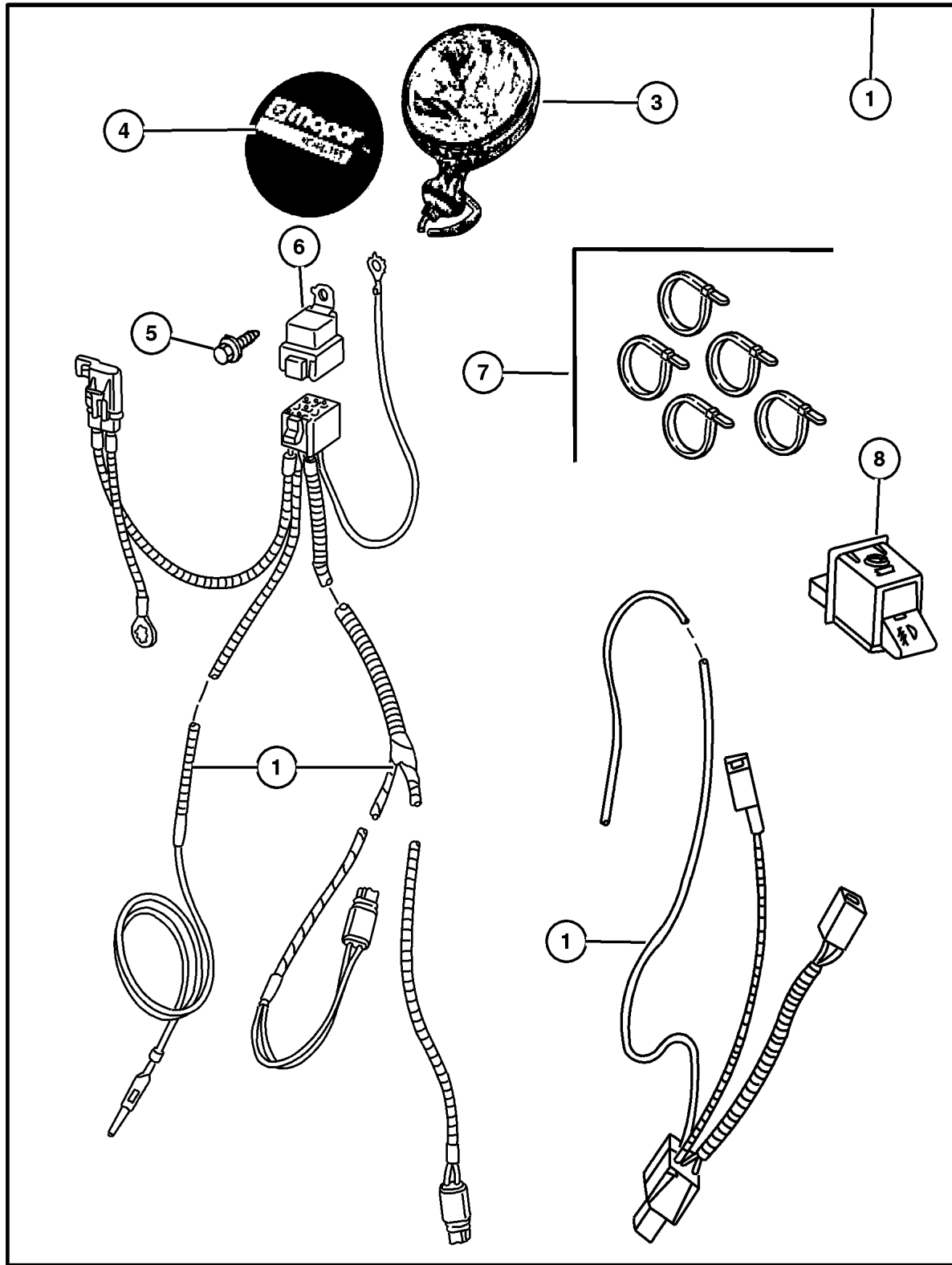
LINE  
J = Wrangler 4WD  
U = Wrangler 4WD (RHD)

BODY  
77 = 93.4 WB

ENGINE  
EPE, EP0 = 2.5L Power Tech  
ERH, ER0 = 4.0L Power Tech

TRANSMISSION  
DGG, DGD = 32RH 3 Spd. Auto.  
DDQ = 5 Spd. Manual  
DDD = 5 Speed HD Manual  
DGO = Auto. Trans.  
DBB = Manual Trans.

**Light Kit - Fog**  
**Figure 001-610**

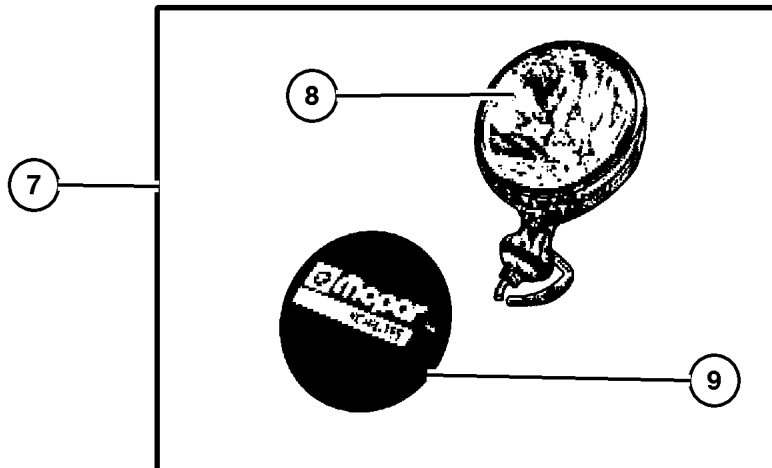
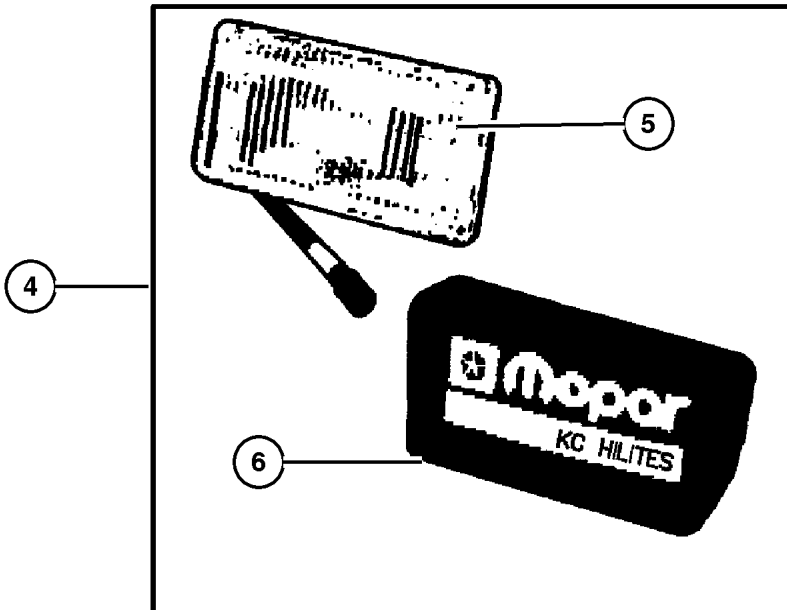
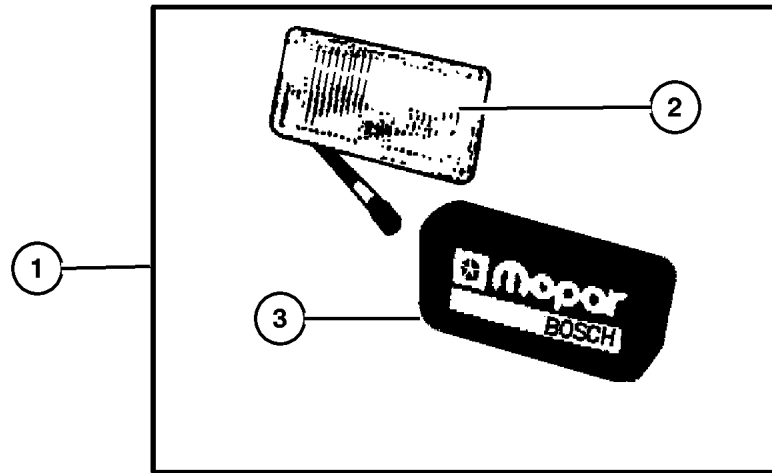


ITEM	PART NUMBER	QTY	LINE	SERIES	BODY	ENGINE	TRANS	TRIM	DESCRIPTION
NOTE: Light Packages - use 55 watt Bulb only.									
NOTE: Use Bracket Kit #82202610 for Front Tube Bumpers									
1	8220 6505	1	J		77				LIGHT PACKAGE, Fog
-2	4864 773	1	J		77				RETAINER, Fog Lamp Bulb
3	L00H 355W	1	J		77				BULB, Fog Lamp, H-3 55 WATT, H-3 Bulb, 55 Watts
4	8220 2586	1							COVER KIT, Light, Consists of : 2- Black with White Jeep Logo and Package of Knobs
5	0154 552	1	J		77				SCREW, Hex Head, .190-16x.625
6	4638 271	1	J		77				RELAY PACKAGE, Electrical
7	4641 780	1	J		77				STRAP, Tie
8	5600 7247	1	J		77				SWITCH, Fog Lamp
-9									WIRING KIT, Fog Light, Services in Package, (NOT SERVICED) (Not Serviced)

**JEEP WRANGLER (TJ)**

SERIES	LINE	BODY	ENGINE	TRANSMISSION
H = Sport	J = Wrangler 4WD	77 = 93.4 WB	EPE, EP0 = 2.5L Power Tech	DGG, DGD = 32RH 3 Spd. Auto.
L = SE	U = Wrangler 4WD (RHD)		ERH, ER0 = 4.0L Power Tech	DDQ = 5 Spd. Manual
P = Sahara				DDD = 5 Speed HD Manual
				DG0 = Auto. Trans.
				DBB = Manual Trans.

Light Kit - Off Road  
Figure 001-620



ITEM	PART NUMBER	QTY	LINE	SERIES	BODY	ENGINE	TRANS	TRIM	DESCRIPTION
1									LIGHT KIT, Off Road, 5 x 7'
	8220 1775	1	J		77				Black Metal
	8220 1776	1	J		77				Chrome
	8220 1252	1	J		77				Black Plastic
2	4720 330	1	J		77				LENS, Fog Lamp
3	4720 332	1	J		77				COVER, Fog Lamp
4									LIGHT KIT, Off Road, 6 x 9'
	8220 3691	1	J		77				Black Powder Coat
	8220 3692	1	J		77				Chrome
5	4720 316	1	J		77				LENS, Fog Lamp
6	4720 317	1	J		77				COVER, Fog Lamp
7									LIGHT KIT, Off Road, 6' Round
	8220 1777	1	J		77				Black Chrome
	8220 1778	1	J		77				Chrome
8	4720 333	1	J		77				LENS, Fog Lamp
9	4720 327	1	J		77				COVER, Off Road Lamp
-10	L00H 355W	1	J		77				BULB, Fog Lamp, H-3 55 WATT

**JEEP WRANGLER (TJ)**

SERIES	LINE	BODY	ENGINE	TRANSMISSION
H = Sport	J = Wrangler 4WD	77 = 93.4 WB	EPE, EP0 = 2.5L Power Tech	DGG, DGD = 32RH 3 Spd. Auto.
L = SE	U = Wrangler 4WD (RHD)		ERH, ER0 = 4.0L Power Tech	DDQ = 5 Spd. Manual
P = Sahara				DDD = 5 Speed HD Manual
				DG0 = Auto. Trans.
				DBB = Manual Trans.

AR = Use as required - = Non illustrated part # = New this model year

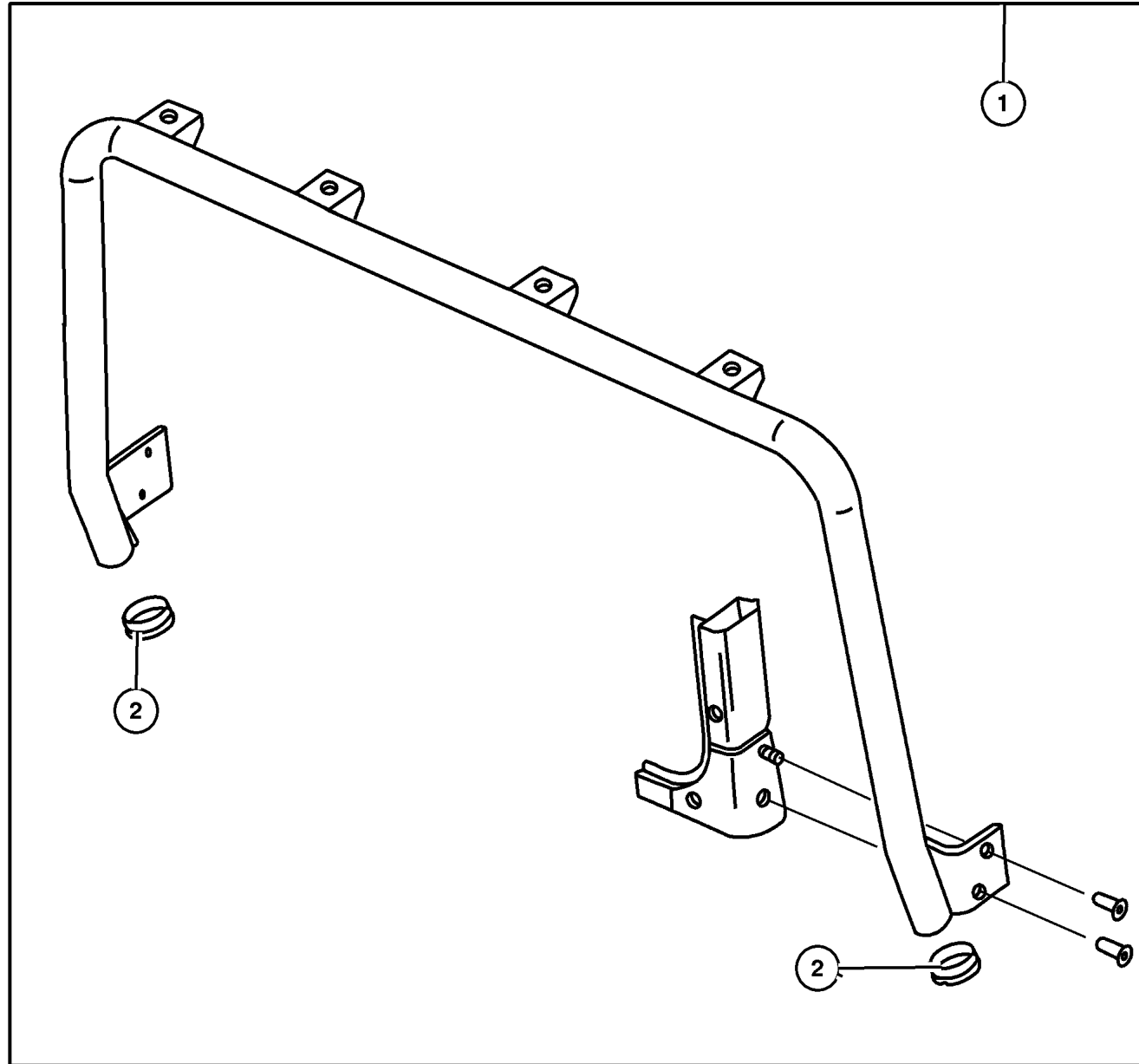
September 16, 2005

**Bar Kit - Light Windshield**  
**Figure 001-630**

ITEM	PART NUMBER	QTY	LINE	SERIES	BODY	ENGINE	TRANS	TRIM	DESCRIPTION
------	-------------	-----	------	--------	------	--------	-------	------	-------------

NOTE: Windshield mount holds up to four lights. Includes wire harness. Windshield cannot be lowered.

1	8220 3317	1	J		77				BAR KIT, Light-Windshield Steel painted Black
	8220 3320	1	J		77				Aluminum Black Anodized
	8220 3322	1	J		77				Chromed Steel
2	4897 579AA	1	J		77				END CAP, Light Bar



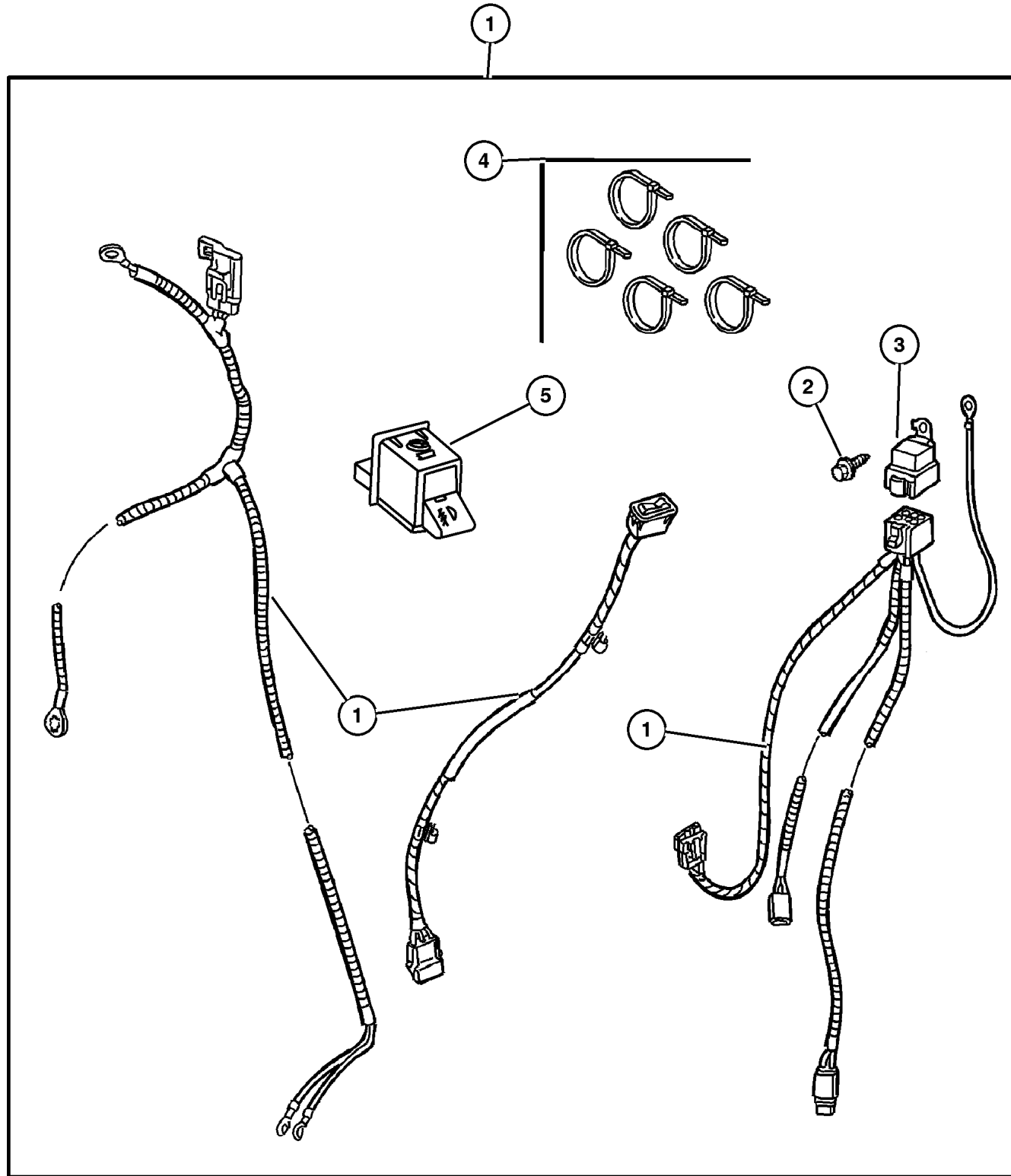
**JEEP WRANGLER (TJ)**

SERIES	LINE	BODY	ENGINE	TRANSMISSION
H = Sport	J = Wrangler 4WD	77 = 93.4 WB	EPE, EP0 = 2.5L Power Tech	DGG, DGD = 32RH 3 Spd. Auto.
L = SE	U = Wrangler 4WD (RHD)		ERH, ER0 = 4.0L Power Tech	DDQ = 5 Spd. Manual
P = Sahara				DDD = 5 Speed HD Manual
				DG0 = Auto. Trans.
				DBB = Manual Trans.

AR = Use as required - = Non illustrated part # = New this model year

September 16, 2005

**Installation Package - Lights Off Road**  
**Figure 001-640**



ITEM	PART NUMBER	QTY	LINE	SERIES	BODY	ENGINE	TRANS	TRIM	DESCRIPTION
1	8220 2526	1	J		77				INSTALLATION PACKAGE, Off Road Light
2	0154 552	1	J		77				SCREW, Hex Head, .190-16x.625
3	4638 271	1	J		77				RELAY PACKAGE, Electrical
4	6015 756	1							STRAP, Tie
5	5269 430	1	J		77				SWITCH, Fog Lamp

**JEEP WRANGLER (TJ)**

SERIES  
H = Sport  
L = SE  
P = Sahara

LINE  
J = Wrangler 4WD  
U = Wrangler 4WD (RHD)

BODY  
77 = 93.4 WB

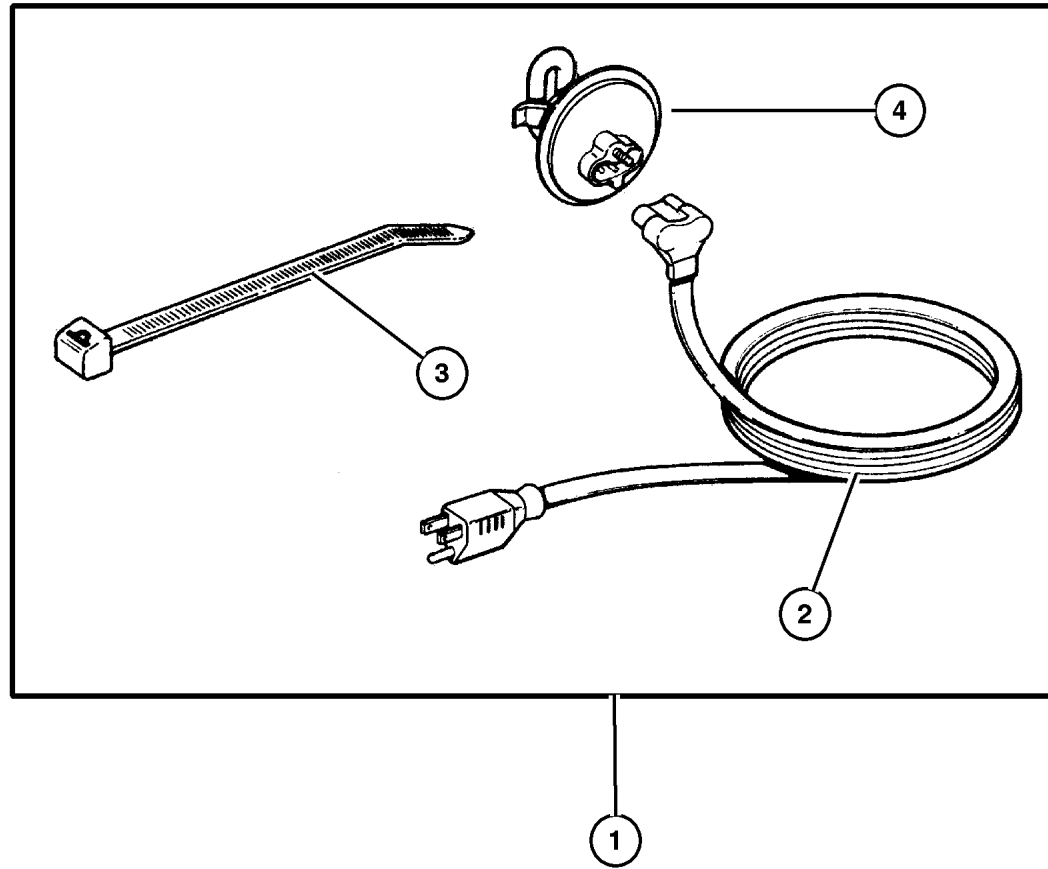
ENGINE  
EPE, EP0 = 2.5L Power Tech  
ERH, ER0 = 4.0L Power Tech

TRANSMISSION  
DGG, DGD = 32RH 3 Spd. Auto.  
DDQ = 5 Spd. Manual  
DDD = 5 Speed HD Manual  
DG0 = Auto. Trans.  
DBB = Manual Trans.



## Heater Kit - Engine Block Figure 001-650

ITEM	PART NUMBER	QTY	LINE	SERIES	BODY	ENGINE	TRANS	TRIM	DESCRIPTION
1									HEATER PACKAGE, Engine Block
	8220 1505	1							2.5L Engine
	8220 1506	1							4.0L Engine
2									CORD, Engine Block Heater
	5300 0878	1	J		77				2.5L Engine
	J575 2677	1	J		77				4.0L Engine
3	4641 780	1							STRAP, Tie
4									HEATER, Engine Block, Serviced only in package, (NOT SERVICED) (Not Serviced)



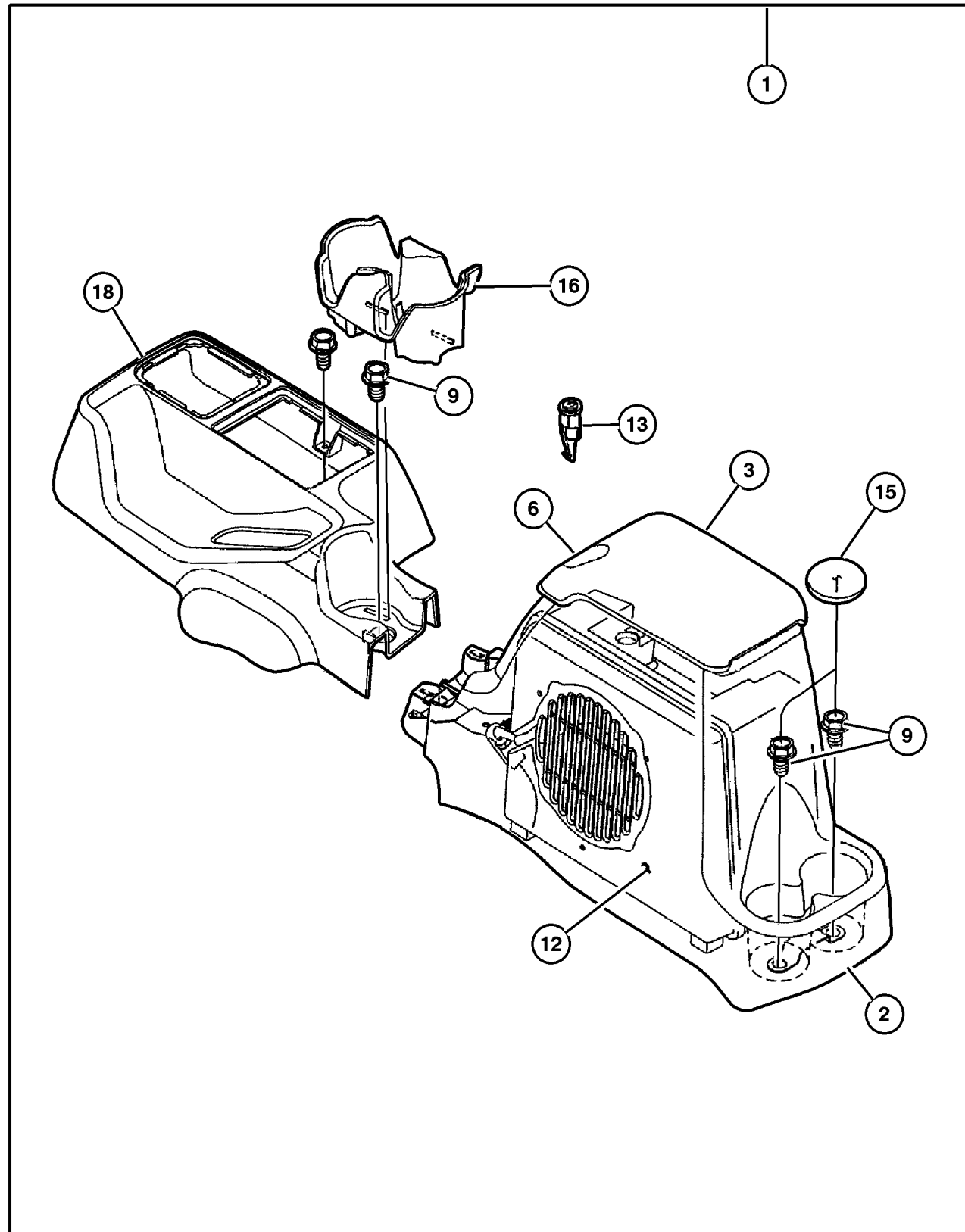
<b>JEEP WRANGLER (TJ)</b>			
SERIES	LINE	BODY	TRANSMISSION
H = Sport	J = Wrangler 4WD	77 = 93.4 WB	DGG, DGD = 32RH 3 Spd. Auto.
L = SE	U = Wrangler 4WD (RHD)		DDQ = 5 Spd. Manual
P = Sahara			DDD = 5 Speed HD Manual
			DG0 = Auto. Trans.
			DBB = Manual Trans.

AR = Use as required   - = Non illustrated part   # = New this model year

September 16, 2005



Console Kit - Floor  
Figure 001-820



ITEM	PART NUMBER	QTY	LINE	SERIES	BODY	ENGINE	TRANS	TRIM	DESCRIPTION
1									CONSOLE PACKAGE, Center
	8220 6341	1	J		77				Camel/Tan
	8220 6342	1	J		77				Agate
	8220 6344	1	J		77				Camel/Tan with Sub Woofer
	8220 6345	1	J		77				Agate with Sub Woofer
2									CONSOLE, Floor
	5HE62 RK5AC	1	J		77				Camel/Tan
	5HE62 LAZAC	1	J		77				Agate
3									LID, Center Console Storage
	5HE63 RK5AA	1							Camel/Tan
	5HE63 LAZAC	1							Agate
-4	55315 039AB-	1							HINGE, Floor Console Lid
-5									BIN, Storage
	55315 040AB-	1							With Speaker
	55315 042AA-	1							
6	55315 041AB	1							LATCH, Armrest Lid
-7	55315 043AC-	1							PLATE, Speaker, Remove for use with Speaker
-8	55315 051AA-	2							BUMPER, Glove Box Door
9	6032 723	2							SCREW, Self Tapping, M4.2x1.69x19.05
-10	6034 833	2							CLIP, Push, .164-7.5
-11	56009 941AA-	1							CHOKE, Speaker
12	56038 609AC	1							SPEAKER, Sub Woofer
13	4746 305	1	J		77				CYLINDER, Console Lock
-14									SCREW, M6.3x1.81x30.0, (NOT SERVICED) (Not Serviced)
15	55315 050AA	1							MAT, Floor
16	55315 038AC	1	J		77				CUPHOLDER, Console
-17	0154 552	1	J		77				SCREW, Hex Head, .190-16x.625
18									CONSOLE, Floor
	5HF13 RK5AB	1							Camel/Tan
	5HF13 LAZAB	1							Agate
-19									WIRING, Serviced in Kit, (NOT SERVICED) (Not Serviced)

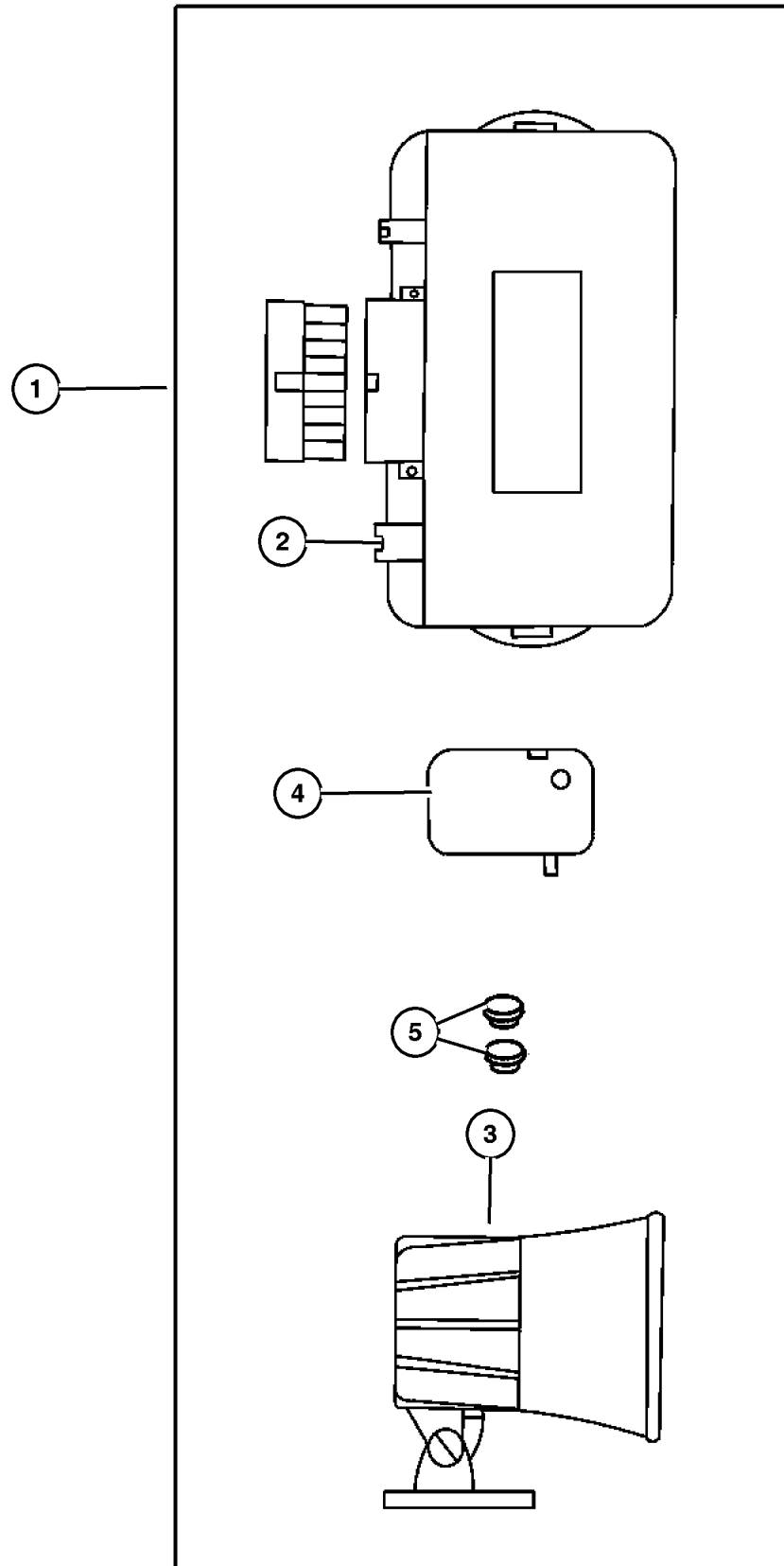
JEEP WRANGLER (TJ)

SERIES	LINE	BODY	ENGINE	TRANSMISSION
H = Sport	J = Wrangler 4WD	77 = 93.4 WB	EPE, EP0 = 2.5L Power Tech	DGG, DGD = 32RH 3 Spd. Auto.
L = SE	U = Wrangler 4WD (RHD)		ERH, ER0 = 4.0L Power Tech	DDQ = 5 Spd. Manual
P = Sahara				DDD = 5 Speed HD Manual
				DG0 = Auto. Trans.
				DBB = Manual Trans.

AR = Use as required - = Non illustrated part # = New this model year

September 16, 2005

**Alarm - EVS Base System  
Figure 001-910**



ITEM	PART NUMBER	QTY	LINE	SERIES	BODY	ENGINE	TRANS	TRIM	DESCRIPTION
1	8220 3763	1	J		77				MODULE KIT, Alarm without Keyless
2	5012 164AA	1	J		77				MODULE, Security Alarm
3	8220 3198	1	J		77				SIREN, Alarm
4	4886 374AA	1	J		77				TRANSMITTER, Alarm or Keyless
5	4636 141	1	J		77				BATTERY, Transmitter
-6	8220 6768	1	J		77				WIRING KIT, Alarm without Keyless

**JEEP WRANGLER (TJ)**

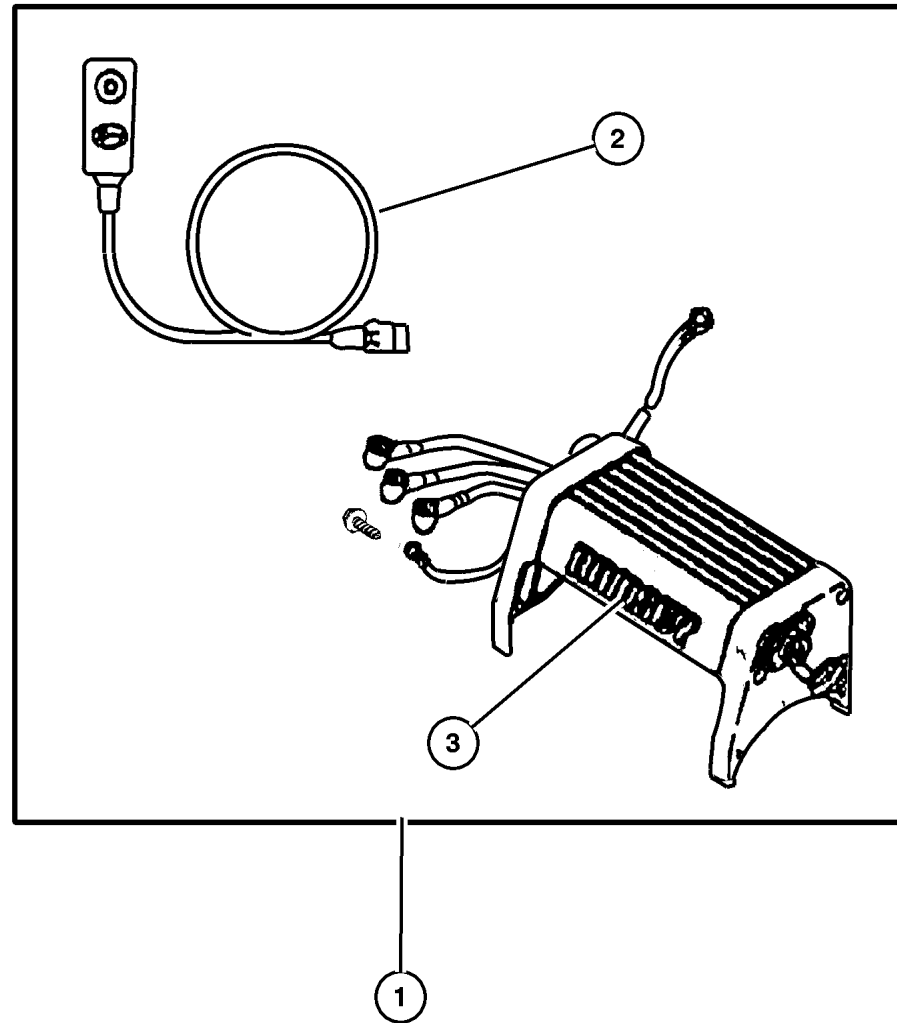
SERIES	LINE	BODY	ENGINE	TRANSMISSION
H = Sport	J = Wrangler 4WD	77 = 93.4 WB	EPE, EP0 = 2.5L Power Tech	DGG, DGD = 32RH 3 Spd. Auto.
L = SE	U = Wrangler 4WD (RHD)		ERH, ER0 = 4.0L Power Tech	DDQ = 5 Spd. Manual
P = Sahara				DDD = 5 Speed HD Manual
				DG0 = Auto. Trans.
				DBB = Manual Trans.

AR = Use as required - = Non illustrated part # = New this model year

September 16, 2005



**Winch Kit - Power**  
**Figure 001-1030**



ITEM	PART NUMBER	QTY	LINE	SERIES	BODY	ENGINE	TRANS	TRIM	DESCRIPTION
NOTE: 82202191 requires Mounting Kit # 82204128									
1	8220 6402	1	J		77				WINCH KIT, Power, Ramsey 6000H Series
	8220 6403	1	J		77				8000H Series with 95 feet Cable
	8220 6404	1	J		77				8000HX Series
2	5018 221AA	1	J		77				CABLE KIT, Winch, Switch Assembly is 12 feet long. Use only with Power Winch
3	5018 363AA	1	J		77				SOLENOID, Winch
	5018 366AA	1	J		77				Use for Kits 82206402 and 82206403
-4	8220 2191	1	J		77				WINCH KIT, Warn 8000 Pound capacity
	8220 2612	1	J		77				9000 Pound capacity
-5	5018 241AA-	1	J		77				CABLE KIT, Winch
	5018 824AA-	1	J		77				Use for Kit 82202612
-6	5018 823AA-	1	J		77				SOLENOID, Winch, Use for Kit 82202191

JEEP WRANGLER (TJ)				
SERIES	LINE	BODY	ENGINE	TRANSMISSION
H = Sport	J = Wrangler 4WD	77 = 93.4 WB	EPE, EP0 = 2.5L Power Tech	DGG, DGD = 32RH 3 Spd. Auto.
L = SE	U = Wrangler 4WD (RHD)		ERH, ER0 = 4.0L Power Tech	DDQ = 5 Spd. Manual
P = Sahara				DDD = 5 Speed HD Manual
				DG0 = Auto. Trans.
				DBB = Manual Trans.

AR = Use as required - = Non illustrated part # = New this model year

September 16, 2005

# Group – 002

## Front Suspension & Drive

### GROUP 2 - Front Suspension & Drive

Illustration Title

Group-Fig. No.

#### Front Suspension

Suspension, Front Spring with Control Arms and Track Bar ..... Fig. 002-110

Bar, Front Sway ..... Fig. 002-120

#### Front Axle Drive Shafts

Shafts, Front Axle ..... Fig. 002-210

#### Front Axle Housing

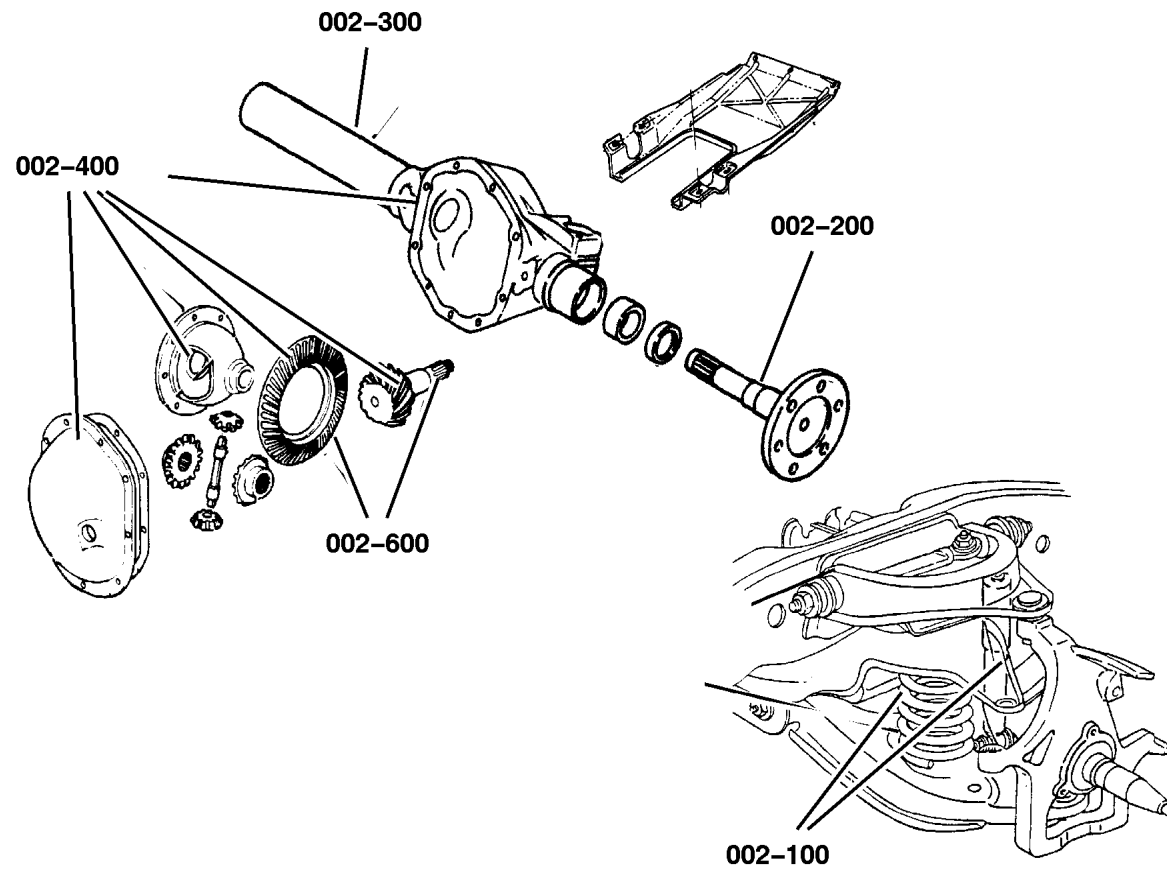
Housing, Front Axle, 4 Wheel Drive ..... Fig. 002-310



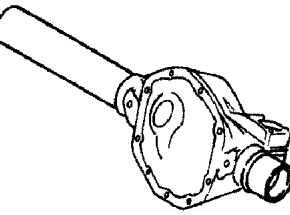
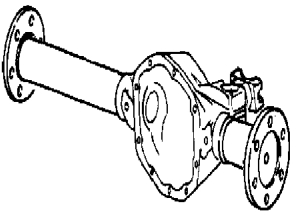
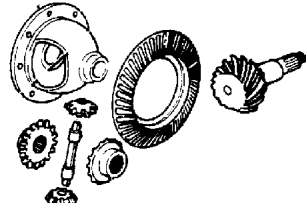
#### Front Axle Assembly

Axle Assembly, Front, 4 Wheel Drive ..... Fig. 002-410

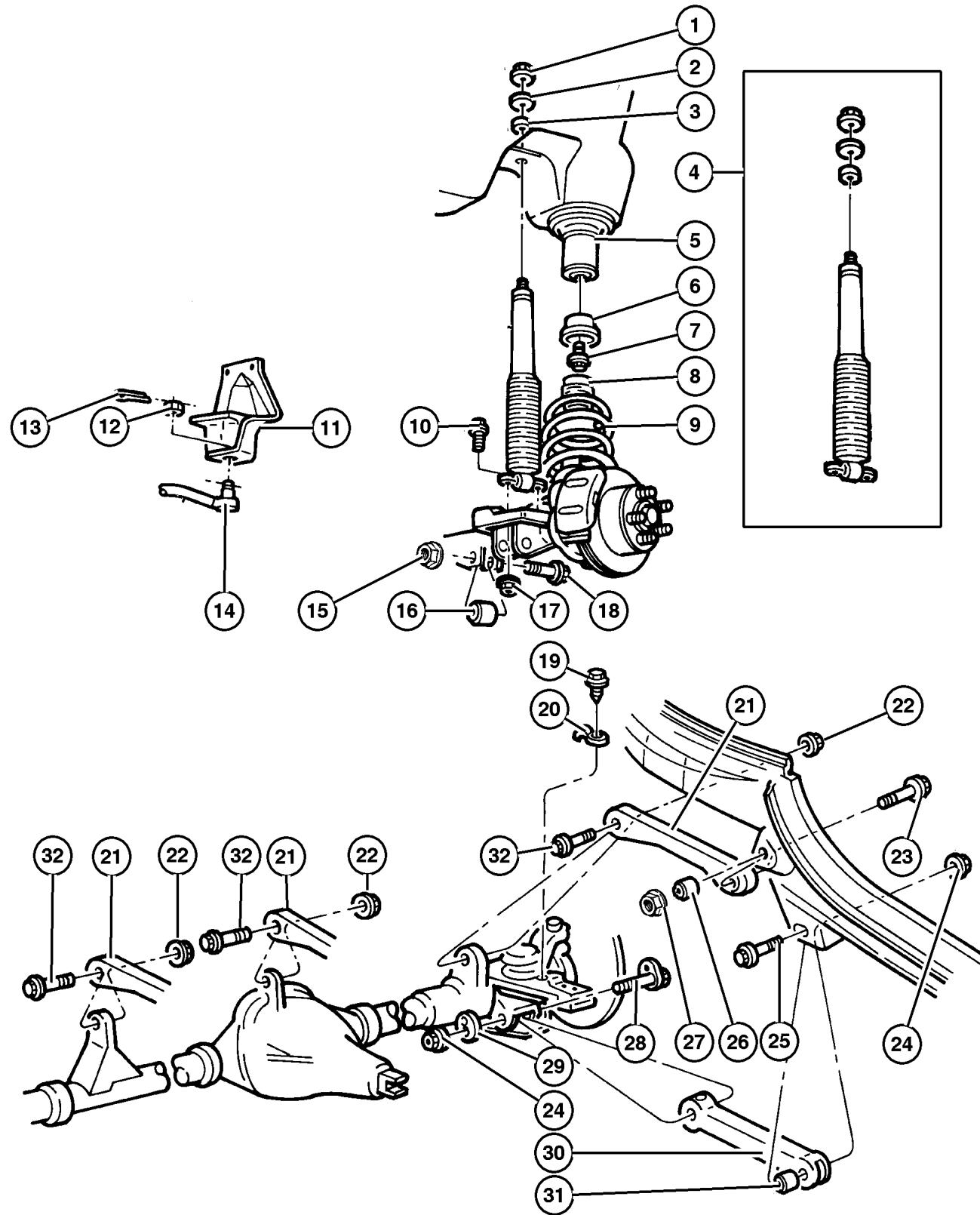
#### Front Axle Differential

Differential, Front Axle ..... Fig. 002-610



<p><b>002-100</b> Front Suspension</p> 	<p><b>002-200</b> Front Axle Drive Shafts</p> 	<p><b>002-300</b> Front Axle Housing</p> 	<p><b>002-400</b> Front Axle Assembly</p> 
<p><b>002-600</b> Front Axle Differential</p> 			

## Suspension, Front Spring with Control Arms and Track Bar Figure 002-110



ITEM	PART NUMBER	QTY	LINE	SERIES	BODY	ENGINE	TRANS	TRIM	DESCRIPTION
Abbreviation UCA=Upper Control Arm---LCA=Lower Control Arm---J=Left Hand Drive---U=Right Hand Drive---Sales Codes will be on your VIN print out .									
SDA=Gas Charged---SDU=High Pressure Gas Charged									
1	6502 556	2							NUT, Hex, M10-1.5, Shock Mounting, Upper
2	5200 5574	2							RETAINER, Shock Absorber, Upper
3	5208 7768	2							GROMMET, Shock Absorber, Upper
4									SHOCK ABSORBER PACKAGE, Suspension, Front
	4897 567AA	2							[SDA]
	4886 533AG	2							[SDU]
5	5208 7767	2							ISOLATOR, Spring, Upper
6	5208 7635	2							CUP, Jounce Bumper
7	6100 402	2							BOLT, Hex Head, M10x35, Jounce Bumper Cup, Mounting
8	5208 7992	2							BUMPER, Jounce
9									SPRING, Front Coil
	52088 126AB	1							[ZAD,ZND]
	52088 127AB	1							[ZAE,ZNE]
	52088 128AB	1							[ZAF,ZNF]
	52088 129AB	1							[ZAG,ZNG],[ZBG,ZPG]
10	6502 555	4							BOLT, M8x1.25x30, Shock Mounting, Lower
11									BRACKET, Track Bar, Purchase Frame, (NOT SERVICED) (Not Serviced)
12	6034 358	1							NUT, Hex, .50-20, Track Bar to Frame Bracket, Mounting
13									PIN, Cotter, M4x40.00
	1101 0069	6		J					Track Bar to Frame Bracket, Mounting
		6		U					Track Bar to Frame Bracket, Mounting
14									BAR, Track
	5208 8432	1		J					
	5208 8430	1		U					
15									NUT, Hex Flange Lock, M10x1.5
	6506 264AA	1		J					Track Bar to Axle, Mounting
	5208 7888	1		U					Track Bar to Axle, Mounting
16									BUSHING, Track Bar
	5208 8431	1		J					
		1		U					

### JEEP WRANGLER (TJ)

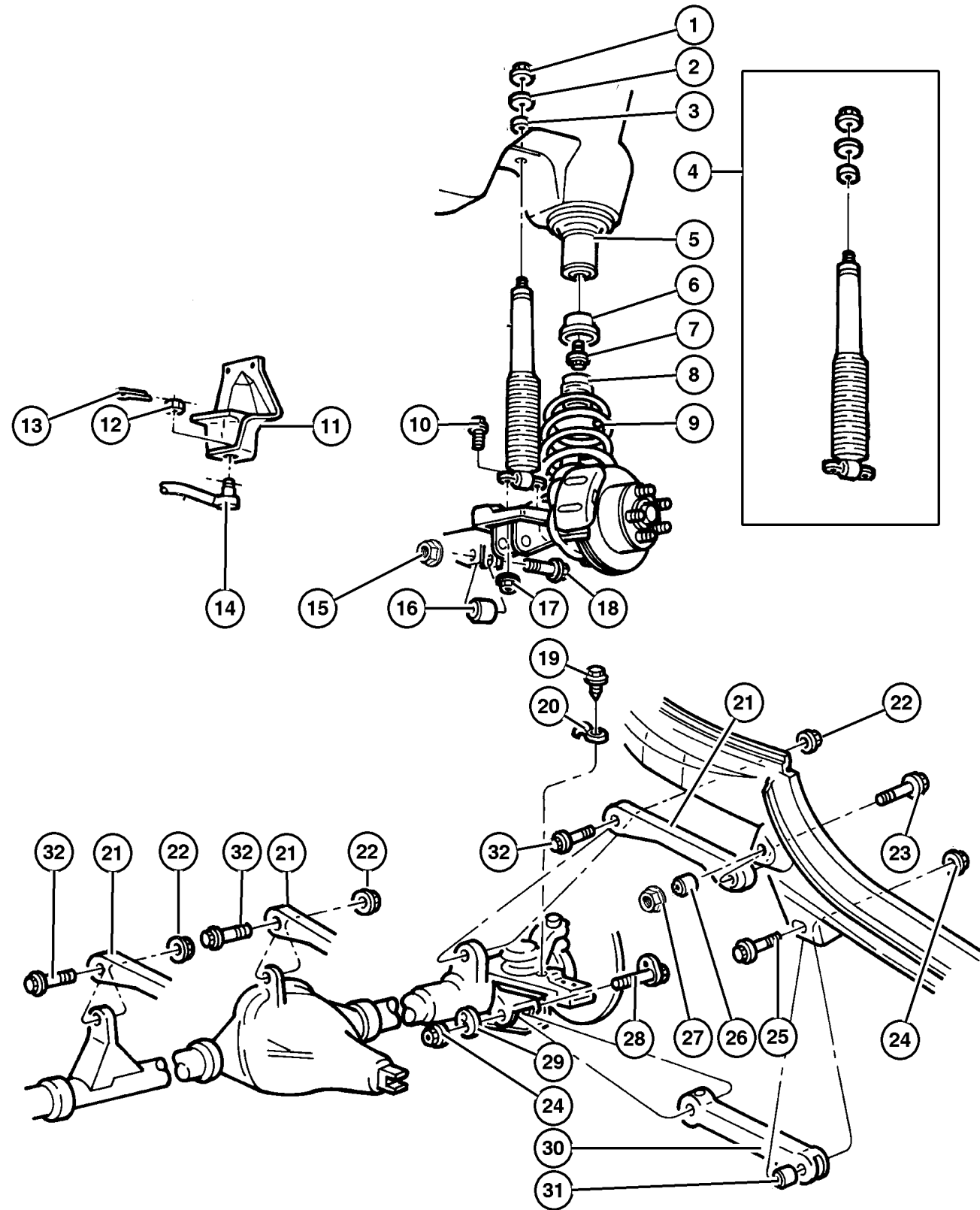
SERIES	LINE	BODY	ENGINE	TRANSMISSION
H = Sport	J = Wrangler 4WD	77 = 93.4 WB	EPE, EP0 = 2.5L Power Tech	DGG, DGD = 32RH 3 Spd. Auto.
L = SE	U = Wrangler 4WD (RHD)		ERH, ER0 = 4.0L Power Tech	DDQ = 5 Spd. Manual
P = Sahara				DDD = 5 Speed HD Manual
				DG0 = Auto. Trans.
				DBB = Manual Trans.

AR = Use as required - = Non illustrated part # = New this model year

September 16, 2005



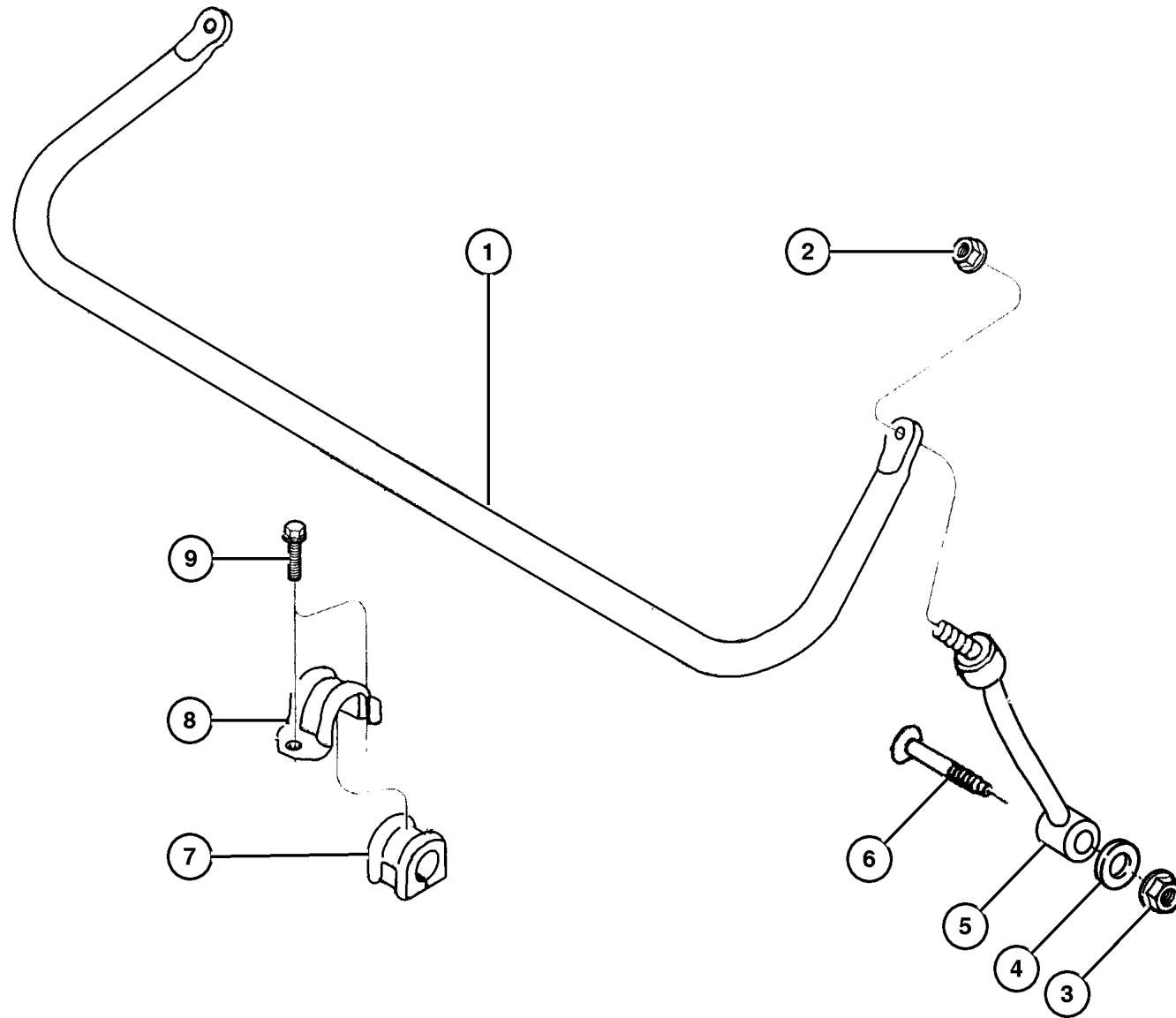
**Suspension, Front Spring with Control Arms and Track Bar**  
**Figure 002-110**



ITEM	PART NUMBER	QTY	LINE	SERIES	BODY	ENGINE	TRANS	TRIM	DESCRIPTION
17	6101 695	4							NUT, Hex Flange Lock, Shock Mounting, Lower
18	6505 549AA	1							SCREW, Track Bar to Axle, Mounting
19	6502 468	1							SCREW, Hex Flange Head, M8x1.25x20, Lower Spring Bracket, Mounting
20	5200 5917	1							BRACKET, Spring
21	5208 7711	2							ARM, Control, with Bushings, Upper
22	1150 6007	2							NUT, Hex Flange, M10x1.5, UCA to Axle, Mounting
23	6503 085	4							BOLT, Hex Flange Head, M10x1.50x78.20, UCA to Frame, Mounting
24	6503 672	4							NUT, Hex, M14-2, LCA to Frame and Axle, Mounting
25	6506 033AA	2							BOLT, Hex Flange Head, M14x2.00x105, LCA to Frame, Mounting
26	5208 7852	2							BUSHING, Control Arm, Rear to Frame, Upper
27	6503 648	2							NUT AND RETAINER, Hex Flange Lock, m8x1.25, UCA Rear, Mounting
28	6504 238	2							BOLT AND WASHER, Hex Head, M14 x 2.00 x 111.6, LCA to Axle, Mounting
29	6504 236	2							WASHER, M14, LCA to Axle, Mounting
30	5208 8654	2							ARM, Control, With Bushings, Lower
31	5208 8433	4							BUSHING, Control Arm, Rear to Frame, Lower
32	6505 154AA	2							BOLT, UCA TO Axle, Mounting

**JEEP WRANGLER (TJ)**  
 SERIES LINE BODY ENGINE TRANSMISSION  
 H = Sport J = Wrangler 4WD 77 = 93.4 WB EPE, EP0 = 2.5L Power Tech DGG, DGD = 32RH 3 Spd. Auto.  
 L = SE U = Wrangler 4WD (RHD) ERH, ER0 = 4.0L Power Tech DDQ = 5 Spd. Manual  
 P = Sahara DDD = 5 Speed HD Manual  
 DGO = Auto. Trans.  
 DBB = Manual Trans.

Bar, Front Sway  
Figure 002-120



ITEM	PART NUMBER	QTY	LINE	SERIES	BODY	ENGINE	TRANS	TRIM	DESCRIPTION
1	5208 7824	1							STABILIZER BAR, Front Suspension
2	6502 979	2							NUT AND WASHER, Hex, M10x1.5, Sway Bar to Link
3	6502 697	2							NUT, Hex Flange Lock, M12x1.75, Sway Bar Link To Axle
4									WASHER, ID 13.07 OD 40.00 THK 3.50, (NOT SERVICED) (Not Serviced)
5	52087 771AB	2							LINK, Sway Eliminator
6	6505 465AA	2							SCREW, Truss Head, M12x1.75x70, Link To Axle
7	5208 8378	2							BUSHING, Sway Bar
8	5203 7710	2							RETAINER, Sway Bar
9	6102 037AA	4							SCREW AND WASHER, Hex Head, M10x1.50x35, Sway Bar Retainer

JEEP WRANGLER (TJ)

SERIES  
H = Sport  
L = SE  
P = Sahara

LINE  
J = Wrangler 4WD  
U = Wrangler 4WD (RHD)

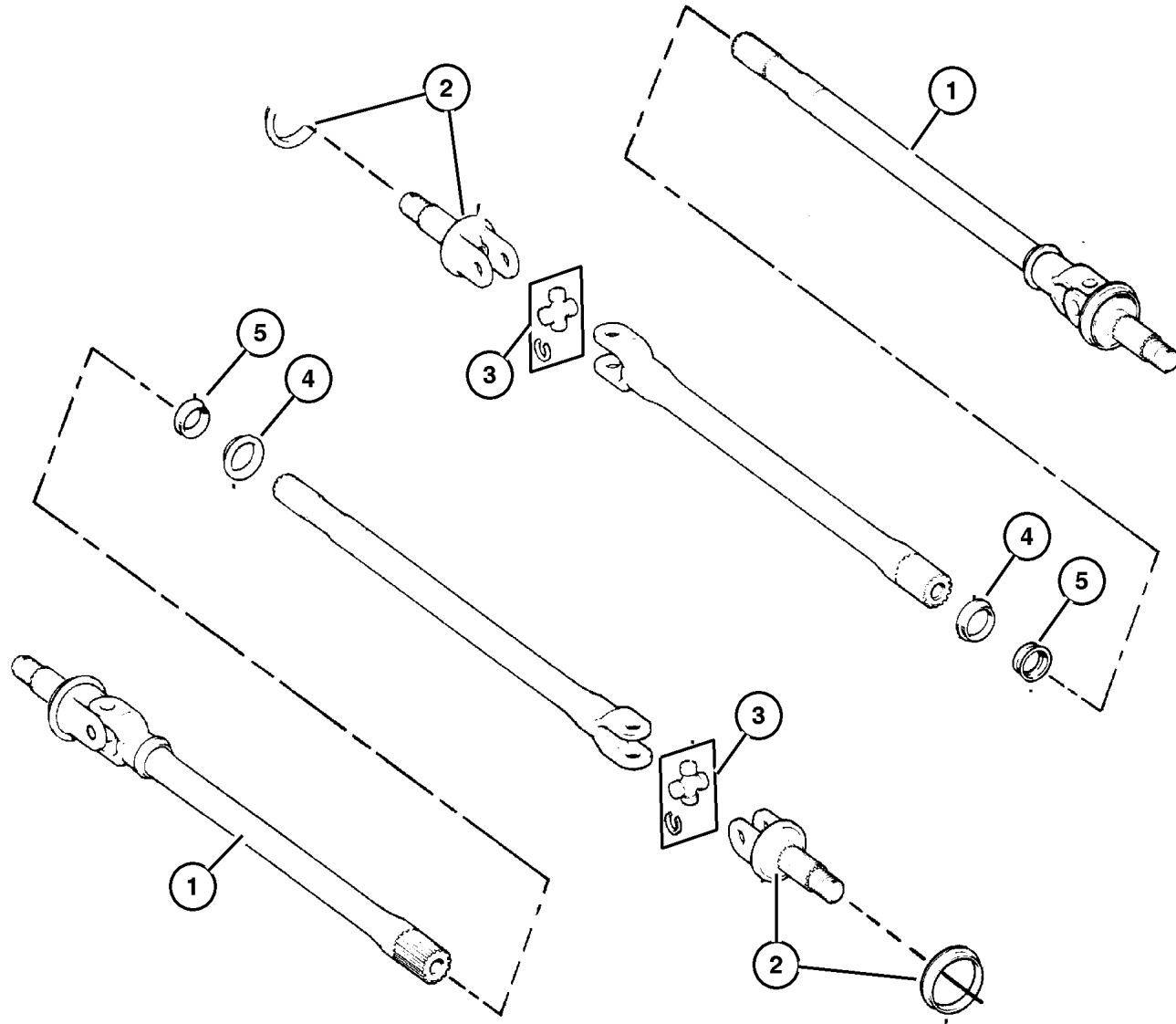
BODY  
77 = 93.4 WB

ENGINE  
EPE, EP0 = 2.5L Power Tech  
ERH, ER0 = 4.0L Power Tech

TRANSMISSION  
DGG, DGD = 32RH 3 Spd. Auto.  
DDQ = 5 Spd. Manual  
DDD = 5 Speed HD Manual  
DG0 = Auto. Trans.  
DBB = Manual Trans.

**Shafts, Front Axle**  
**Figure 002-210**

ITEM	PART NUMBER	QTY	LINE	SERIES	BODY	ENGINE	TRANS	TRIM	DESCRIPTION
BGA= Power Front Disc/Rear Drum-----BGK=4 Wheel Antilock Brakes---LHD= Left Hand Drive---RHD= Right Hand Drive									
1									SHAFT, Axle
	4874 302	1	J						[BGA], Right
	4874 303	1	J						[BGA], Left
	4874 306	1	J						[BGK], Right
	4874 307	1	J						[BGK], Left
	4874 302	1	U						[BGA], Right
	4874 303	1	U						[BGA], Left
2									SHAFT, Axle
	8350 0184	2	J						[BGA], Right or Left
	4728 984	2	J						[BGK], Right or Left
	8350 0184	2	U						[BGA], Right or Left
3									U JOINT, Front Axle
	4137 757	2	J						Right or Left
		2	U						Right or Left
4									SLINGER, Oil
	4882 135	2	J						
		2	U						
5									SEAL, Axle Drive Shaft
	4874 477	2	J						
		2	U						



**JEEP WRANGLER (TJ)**

SERIES	LINE	BODY	ENGINE	TRANSMISSION
H = Sport	J = Wrangler 4WD	77 = 93.4 WB	EPE, EP0 = 2.5L Power Tech	DGG, DGD = 32RH 3 Spd. Auto.
L = SE	U = Wrangler 4WD (RHD)		ERH, ER0 = 4.0L Power Tech	DDQ = 5 Spd. Manual
P = Sahara				DDD = 5 Speed HD Manual
				DG0 = Auto. Trans.
				DBB = Manual Trans.

AR = Use as required - = Non illustrated part # = New this model year

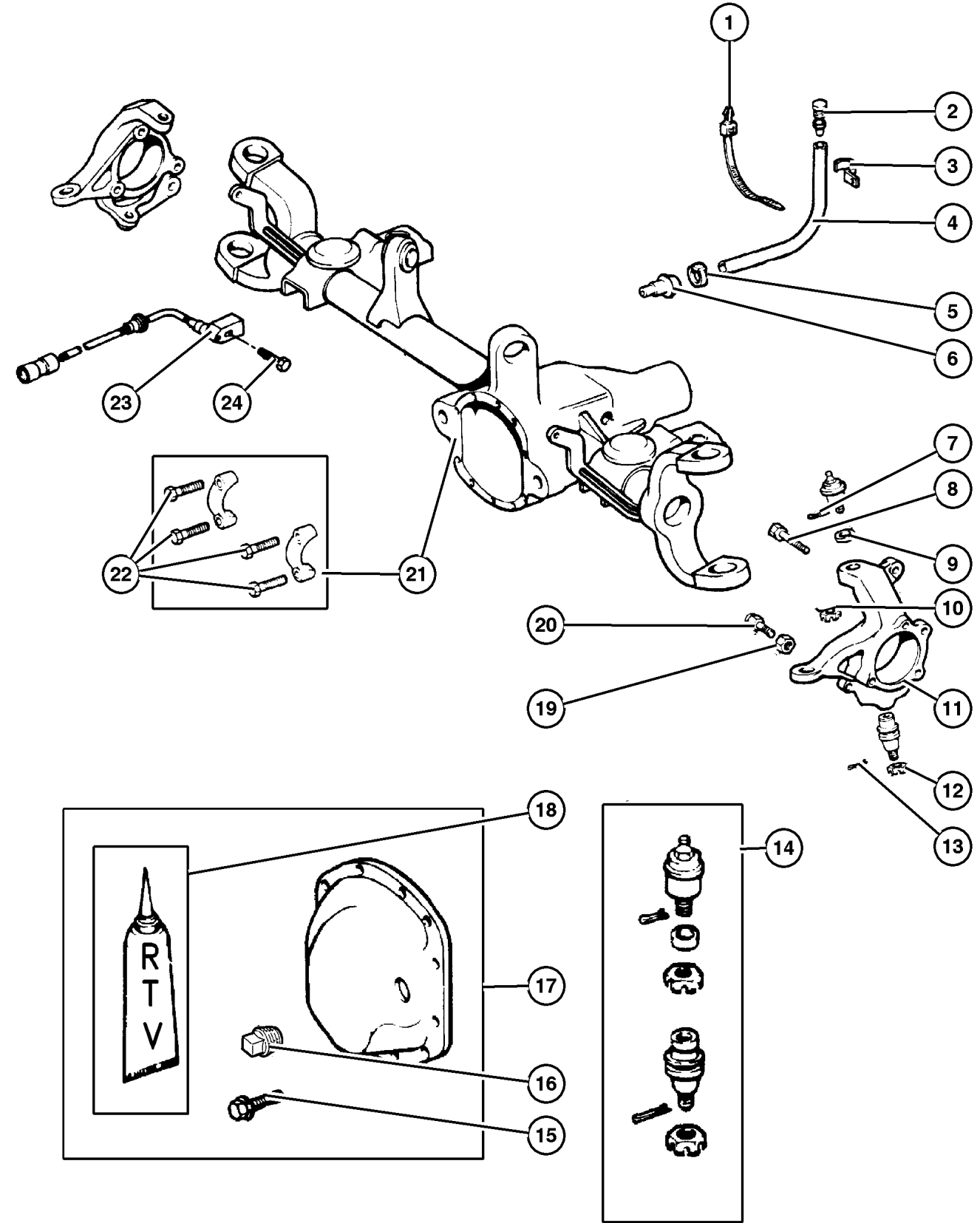
September 16, 2005

### Housing,Front Axle,4 Wheel Drive Figure 002-310

ITEM	PART NUMBER	QTY	LINE	SERIES	BODY	ENGINE	TRANS	TRIM	DESCRIPTION
1	J417 5376	1							STRAP, Tie, Hold Upper Vent Hose
2	J535 2955	1							VENT, Axle, Upper
3	J014 0780	1							CLIP, Wrap Around
4	HFV0 0516	1							HOSE, Fuel And Vapor, 25 Foot Roll 5/16"
5	6503 573	1							CLIP, Axle Vent Hose
6	4720 944	1	J						VENT, Axle Up To and Including 10-01-00, Lower
	8350 4653	1	J						10-02-00 and After, Lower
	4720 944	1	U						Up To and Including 10-01-00, Lower
	8350 4653	1	U						10-02-00 and After, Lower
7	1101 0069	6	J						PIN, Cotter, M4x40.00 Upper Ball Joint
		2	U						Upper Ball Joint
8	3420 1535	6	J						BOLT Knuckle to Hub and Bearing, Mounting
		6	U						Knuckle to Hub and Bearing, Mounting
9	8350 0203	2	J						RING, Ball Joint
		2	U						
10	J012 5258	2	J						NUT, Hex Slotted Upper Ball Joint, Mounting
		2	U						Upper Ball Joint, Mounting
11	5015 980AA	1	J						KNUCKLE, Front Right
	5015 981AA	1	J						Left
	5015 980AA	1	U						Right
	5015 981AA	1	U						Left
12	J812 3318	2	J						NUT Lower Ball Joint, Mounting
		2	U						Lower Ball Joint, Mounting
13	1101 0069	6	J						PIN, Cotter, M4x40.00 Lower Ball Joint, Mounting
		6	U						Lower Ball Joint, Mounting
14	8350 0202	2	J						BALL JOINT KIT, Knuckle
		2	U						
15									BOLT, Differential Cover

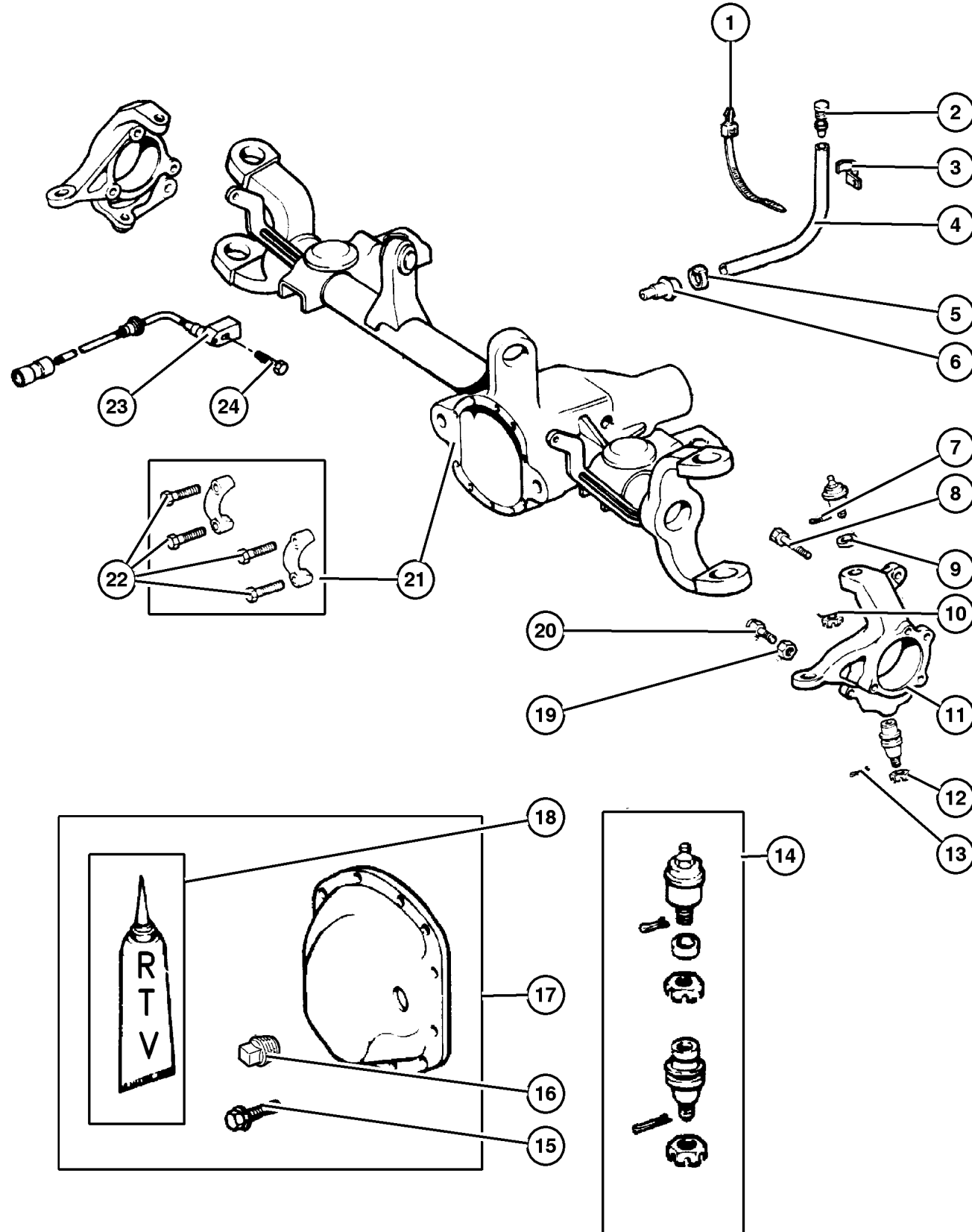
**JEEP WRANGLER (TJ)**

SERIES	LINE	BODY	ENGINE	TRANSMISSION
H = Sport	J = Wrangler 4WD	77 = 93.4 WB	EPE, EP0 = 2.5L Power Tech	DGG, DGD = 32RH 3 Spd. Auto.
L = SE	U = Wrangler 4WD (RHD)		ERH, ER0 = 4.0L Power Tech	DDQ = 5 Spd. Manual
P = Sahara				DDD = 5 Speed HD Manual
				DG0 = Auto. Trans.
				DBB = Manual Trans.



### Housing,Front Axle,4 Wheel Drive Figure 002-310

ITEM	PART NUMBER	QTY	LINE	SERIES	BODY	ENGINE	TRANS	TRIM	DESCRIPTION
	2954 031	10	J						
		10	U						
16	J400 4751	1	J						PLUG, Differential Cover
		1	U						
17	4713 451	1	J						COVER, Differential Consists 1-Cover-10-Cover Screws,and 1 Plug
		1	U						Consists 1-Cover-10-Cover Screws,and 1 Plug
18	5010 884AA	1	J						SEALANT, RTV
		1	U						
19	S011 4494	2	J						NUT, Steering Knuckle Stop Bolt
		2	U						Stop Bolt
20									BOLT, Steering Knuckle Stop
	1791 701	2	J						
		2	U						
21									HOUSING, Axle Up To and Including 10-01-00
	4864 840	1	J						10-02-00 and After
	4864 840AB	1	J						Up To and Including 10-01-00
	4864 904	1	U						10-02-00 and After
	4864 904AB	1	U						
22									BOLT, Differential
	4897 482AB	4	J						
		4	U						
23	5602 7727	2	J						SENSOR, Anti-Lock Brakes
24	8350 4920	2	J						BOLT, Sensor Mounting, Mounting



**JEEP WRANGLER (TJ)**

SERIES  
H = Sport  
L = SE  
P = Sahara

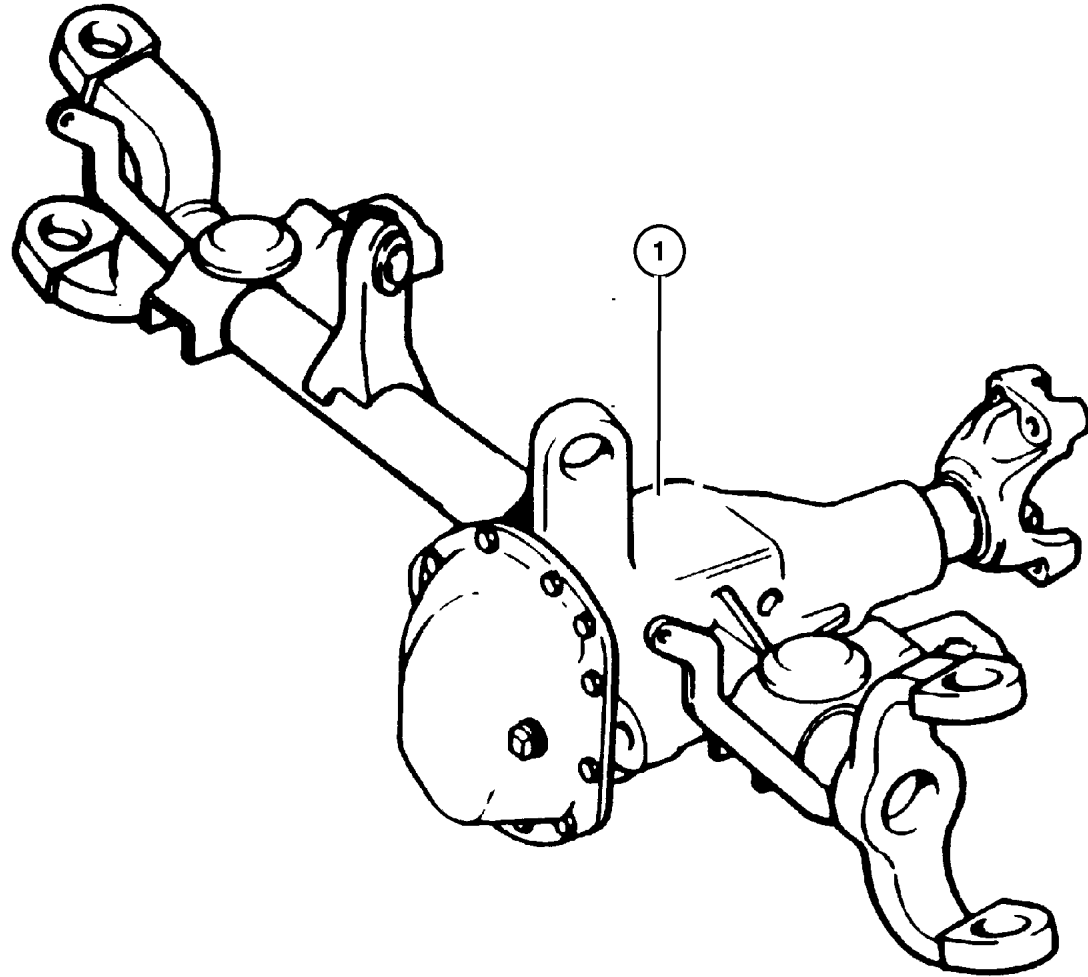
LINE  
J = Wrangler 4WD  
U = Wrangler 4WD (RHD)

BODY  
77 = 93.4 WB

ENGINE  
EPE, EP0 = 2.5L Power Tech  
ERH, ER0 = 4.0L Power Tech

TRANSMISSION  
DGG, DGD = 32RH 3 Spd. Auto.  
DDQ = 5 Spd. Manual  
DDD = 5 Speed HD Manual  
DG0 = Auto. Trans.  
DBB = Manual Trans.

**Axle Assembly, Front, 4 Wheel Drive  
Figure 002-410**



ITEM	PART NUMBER	QTY	LINE	SERIES	BODY	ENGINE	TRANS	TRIM	DESCRIPTION
------	-------------	-----	------	--------	------	--------	-------	------	-------------

Note: Sales Codes;

[DME]=Axle Ratio - 3.73

[DMF]=Axle Ratio - 4.10

[DMM]=Axle Ratio - 3.07

1									AXLE, Service Front
	4864 841	1	J						[DME] with Tag 52099200AC-Up To and Including 10-01-00
	4864 841AC	1	J						[DME] with Tag 52099200AD-10-02-00 and After
	4864 841	1	J						[DME] with Tag 52111033AC-Up To and Including 10-01-00
	4864 841AC	1	J						[DME] with Tag 52111033AE-10-02-00 and After
	4864 910	1	J						[DMF] with Tag 52099226AC-Up To and Including 10-01-00
	4864 910AB	1	J						[DMF] with Tag 52099226AD-10-02-00 and After
	4864 852	1	J						[DMM] with Tag 52099198AC-Up To and Including 10-01-00
	4864 852AB	1	J						[DMM] with Tag 52099198AD-10-02-00 and After
	4864 852	1	J						[DMM] with Tag 52099227AC-Up To and Including 10-01-00
	4864 852AB	1	J						[DMM] with Tag 52099227AE-10-02-00 and After
	4882 337	1	U						[DME] with Tag 52099450AD-Up To and Including 10-01-00
	4882 337AB	1	U						[DME] with Tag 52099450AE-10-02-00 and After
	4882 155	1	U						[DMM] with Tag 52099454AD-Up To and Including 10-01-00
	4882 155AB	1	U						[DMM] with Tag 52099454AE-10-02-00 and After

**JEEP WRANGLER (TJ)**

SERIES  
H = Sport  
L = SE  
P = Sahara

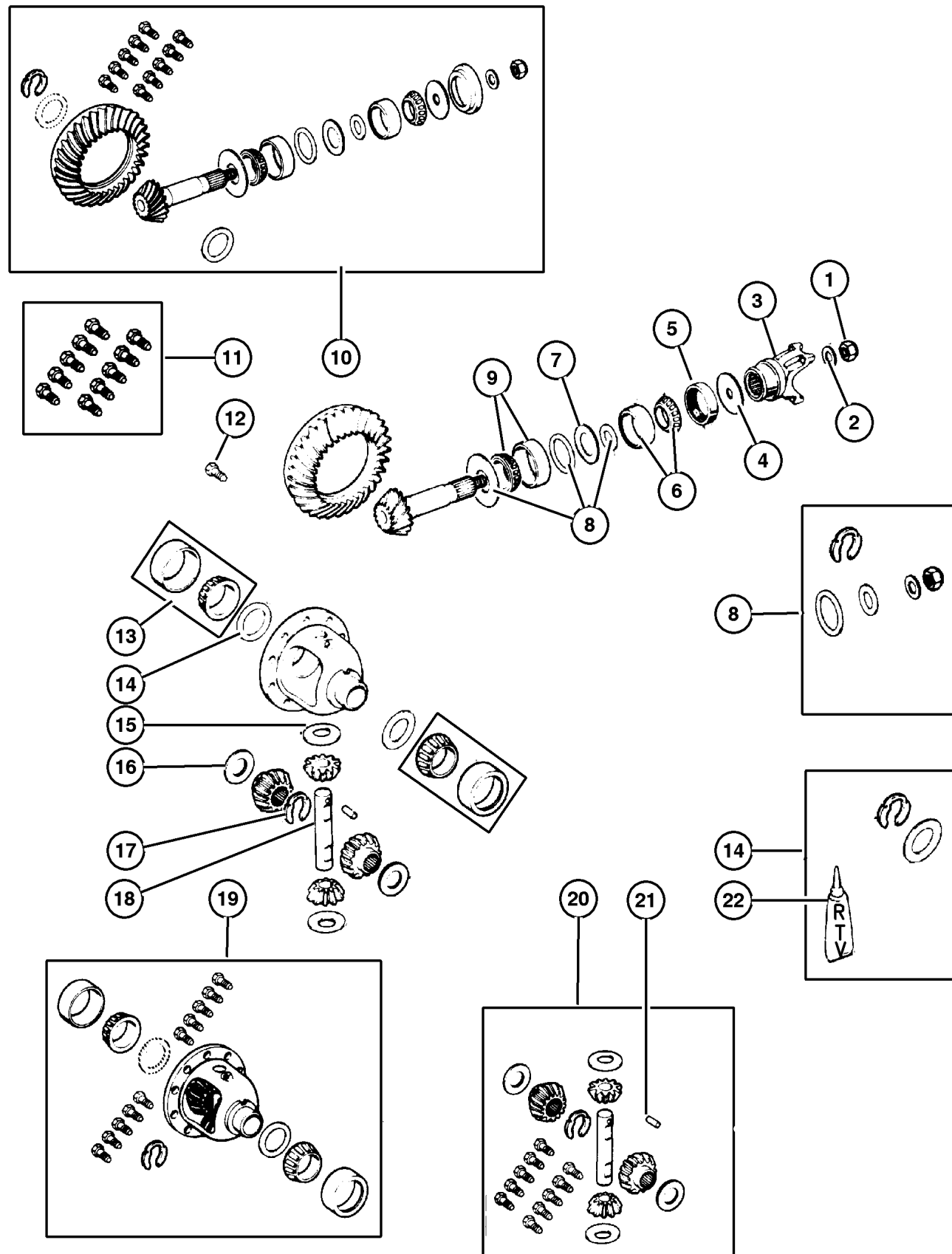
LINE  
J = Wrangler 4WD  
U = Wrangler 4WD (RHD)

BODY  
77 = 93.4 WB

ENGINE  
EPE, EP0 = 2.5L Power Tech  
ERH, ER0 = 4.0L Power Tech

TRANSMISSION  
DGG, DGD = 32RH 3 Spd. Auto.  
DDQ = 5 Spd. Manual  
DDD = 5 Speed HD Manual  
DG0 = Auto. Trans.  
DBB = Manual Trans.

## Differential, Front Axle Figure 002-610



ITEM	PART NUMBER	QTY	LINE	SERIES	BODY	ENGINE	TRANS	TRIM	DESCRIPTION
Note: Sales Codes;									
[DME]=Axle Ratio - 3.73									
[DMF]=Axle Ratio - 4.10									
[DMM]=Axle Ratio - 3.07									
1									NUT, Pinion Yoke
	1791 575	1	J						Up to and Including 10-01-00
	5017 755AA	1	J						10-02-00 and After
	1791 575	1	U						
2									WASHER, Pinion Yoke
	1791 576	1	J						
		1	U						
3									YOKE, Axle
	8350 3388	1	J						
		1	U						
4									SLINGER, Drive Pinion
	J063 6566	1	J						
		1	U						
5									SEAL, Drive Pinion
	4746 772	1	J						Non Flanged
	5072 473AA	1	J						Flanged
	4746 772	1	U						Non Flanged
	5072 473AA	1	U						Flanged
6									BEARING, Drive Pinion
	5252 508	1	J						Bearing and Cup, Front
		1	U						Bearing and Cup, Front
7									SPACER
	4864 845AB	1	J						Crush
		1	U						Crush
8									SHIM KIT, Pinion Shaft
	8350 0192	1	J						
	4720 862	1	U						
9									BEARING, Drive Pinion
	J812 6499	1	J						Bearing and Cup, Rear
		1	U						Bearing and Cup, Rear
10									GEAR KIT, Ring And Pinion
	4864 843	1	J						[DME]-Up to and Including 10-01-00
	5073 246AA	1	J						[DME]-10-02-00 and After
	4864 913	1	J						[DMF]-Up to and Including 10-01-00
	5073 247AA	1	J						[DMF]-10-02-00 and After
	4864 853	1	J						[DMM]-Up to and Including 10-01-00

### JEEP WRANGLER (TJ)

SERIES  
H = Sport  
L = SE  
P = Sahara

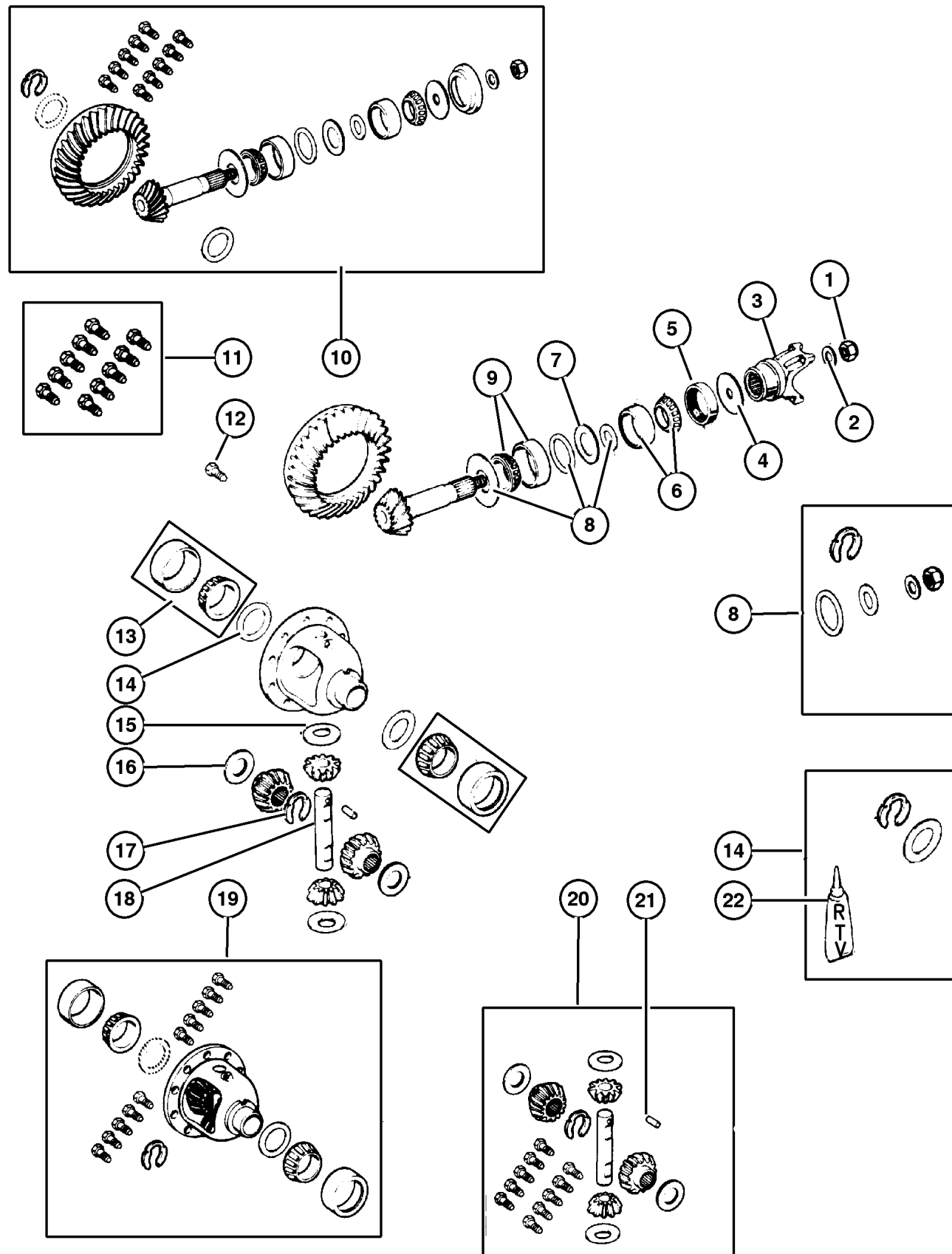
LINE  
J = Wrangler 4WD  
U = Wrangler 4WD (RHD)

BODY  
77 = 93.4 WB

ENGINE  
EPE, EP0 = 2.5L Power Tech  
ERH, ER0 = 4.0L Power Tech

TRANSMISSION  
DGG, DGD = 32RH 3 Spd. Auto.  
DDQ = 5 Spd. Manual  
DDD = 5 Speed HD Manual  
DG0 = Auto. Trans.  
DBB = Manual Trans.

## Differential, Front Axle Figure 002-610



ITEM	PART NUMBER	QTY	LINE	SERIES	BODY	ENGINE	TRANS	TRIM	DESCRIPTION
	5072 997AB	1	J						[DMM]-10-02-00 and After
	4864 843	1	U						[DME]-Up to and Including 10-01-00
	5073 246AA	1	U						[DME]-10-02-00 and After
	4864 853	1	U						[DMM]-Up to and Including 10-01-00
11	5072 997AB	1	U						[DMM]-10-02-00 and After BOLT KIT
	4720 891	1	J						Consists Of 10 5252503 Screws
		1	U						Consists Of 10 5252503 Screws
12	5252 503	10	J						SCREW, Drive Gear
		10	U						
13	J812 6500	1	J						BEARING, Differential
		1	U						Consist of 2 Bearings and 2 Cups
14									Consist of 2 Bearings and 2 Cups
									SHIM KIT, Differential
	8350 0191	1	J						
	4720 863	1	U						
15	J812 0831	2	J						WASHER, Flat
		2	U						Pinion Gear Thrust
16	J813 3724	2	J						Pinion Gear Thrust
		1	U						WASHER, Flat
									Side Gear Thrust
									Side Gear Thrust
17	4137 739	1	J						SNAP RING, Front Axle Shaft
		2	U						
18	5003 840AA	1	J						SHAFT, Differential
		1	U						Pinion
19	5252 590	1	J						Pinion
	5252 582	1	J						CASE, Differential
	5252 590	1	U						[DME,DMF]
	5252 582	1	U						[DMM]
20	5252 591	1	J						[DME]
		1	U						[DMM]
									GEAR KIT, Center Differential
21	1791 563	1	J						
		1	U						
									PIN, Differential Shaft
22		1	U						SEALANT, RTV

### JEEP WRANGLER (TJ)

SERIES  
H = Sport  
L = SE  
P = Sahara

LINE  
J = Wrangler 4WD  
U = Wrangler 4WD (RHD)

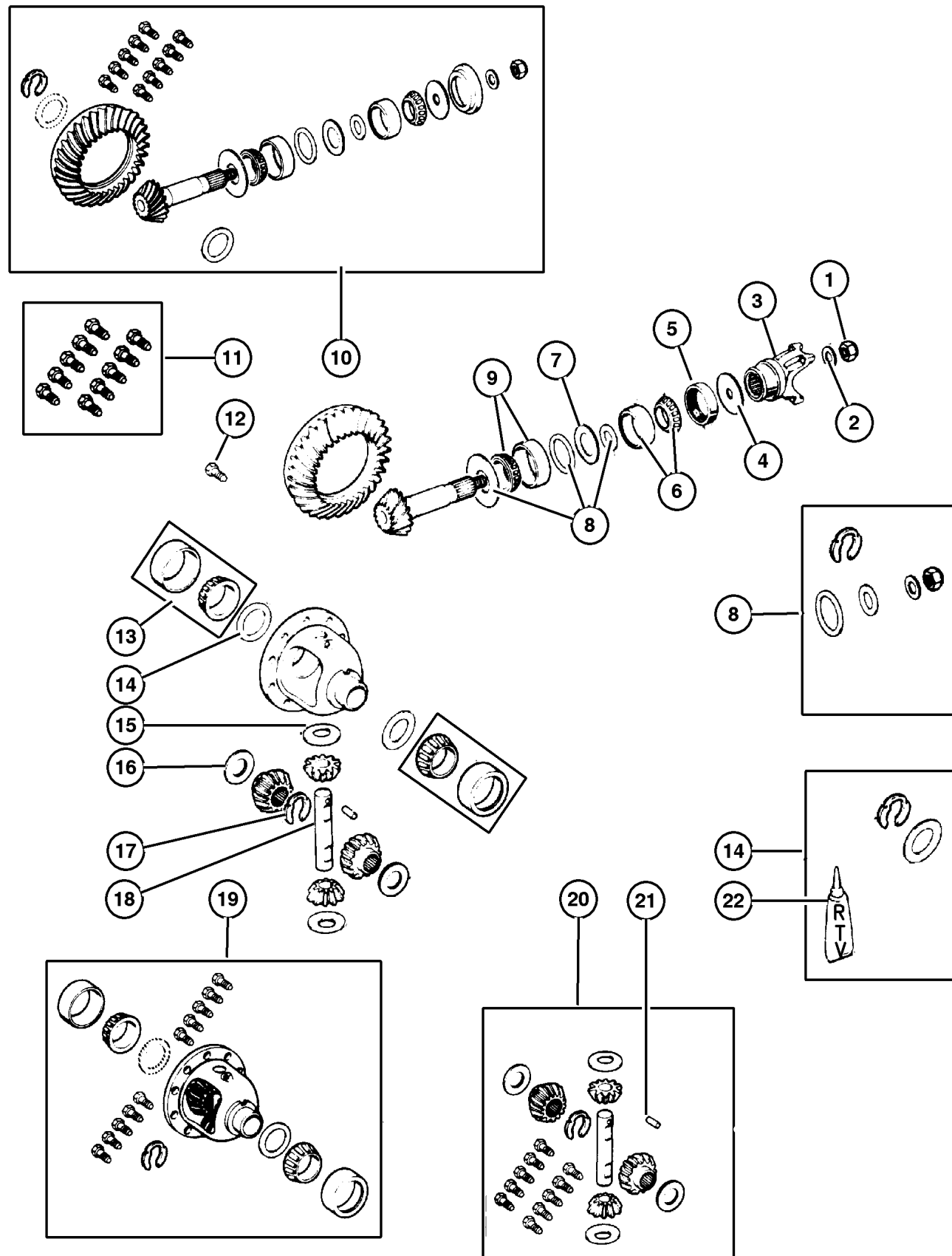
BODY  
77 = 93.4 WB

ENGINE  
EPE, EP0 = 2.5L Power Tech  
ERH, ER0 = 4.0L Power Tech

TRANSMISSION  
DGG, DGD = 32RH 3 Spd. Auto.  
DDQ = 5 Spd. Manual  
DDD = 5 Speed HD Manual  
DG0 = Auto. Trans.  
DBB = Manual Trans.



### Differential, Front Axle Figure 002-610



ITEM	PART NUMBER	QTY	LINE	SERIES	BODY	ENGINE	TRANS	TRIM	DESCRIPTION
------	-------------	-----	------	--------	------	--------	-------	------	-------------

	5010 884AA	1	J						
		1	U						

JEEP WRANGLER (TJ)		BODY	ENGINE	TRANSMISSION
SERIES	LINE	77 = 93.4 WB	EPE, EP0 = 2.5L Power Tech	DGG, DGD = 32RH 3 Spd. Auto.
H = Sport	J = Wrangler 4WD		ERH, ER0 = 4.0L Power Tech	DDQ = 5 Spd. Manual
L = SE	U = Wrangler 4WD (RHD)			DDD = 5 Speed HD Manual
P = Sahara				DG0 = Auto. Trans.
				DBB = Manual Trans.

AR = Use as required - = Non illustrated part # = New this model year

September 16, 2005

# Group – 003

## Rear Axle

### GROUP 3 - Rear Axle

Illustration Title

Group-Fig. No.

#### Rear Axle

Axle Assembly, Rear ..... Fig. 003-110

#### Differential and Housing

Housing,Rear Axle,Dana 35/194MM [DRJ] ..... Fig. 003-210

Housing,Rear Axle,Dana 44/226MM [DRK] ..... Fig. 003-220

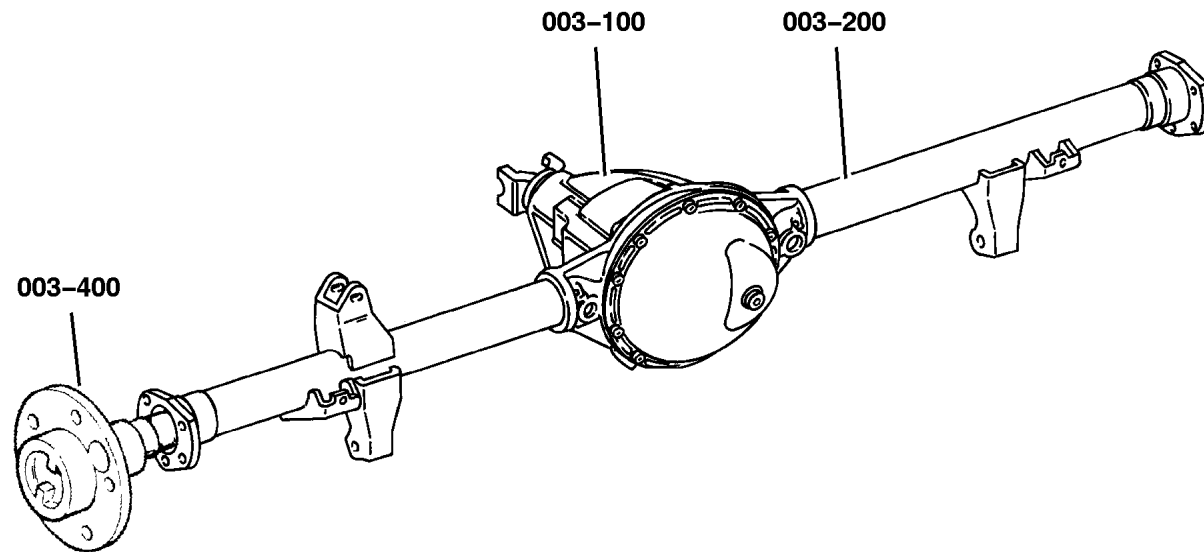
Differential,With and Without Trac-Lok [DSA] Dana 35/194MM [DRJ] ..... Fig. 003-230

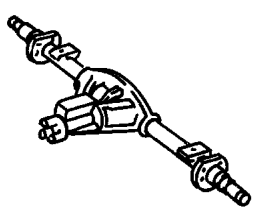
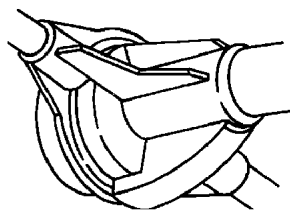
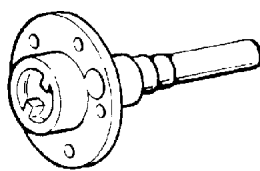
Differential,With and Without Trac-Lok [DSA] Dana 44/226MM [DRK] ..... Fig. 003-240

#### Rear Axle Shafts

Shaft,Rear Axle,Dana 35/194MM [DRJ] ..... Fig. 003-410

Shaft,Rear Axle,Dana 44/226MM [DRK] ..... Fig. 003-420



<p><b>003-100</b> Rear Axle</p> 	<p><b>003-200</b> Differential and Housing</p> 	<p><b>003-400</b> Rear Axle Shafts</p> 	
---	--	---	--

**Axle Assembly, Rear  
Figure 003-110**

ITEM	PART NUMBER	QTY	LINE	SERIES	BODY	ENGINE	TRANS	TRIM	DESCRIPTION
------	-------------	-----	------	--------	------	--------	-------	------	-------------

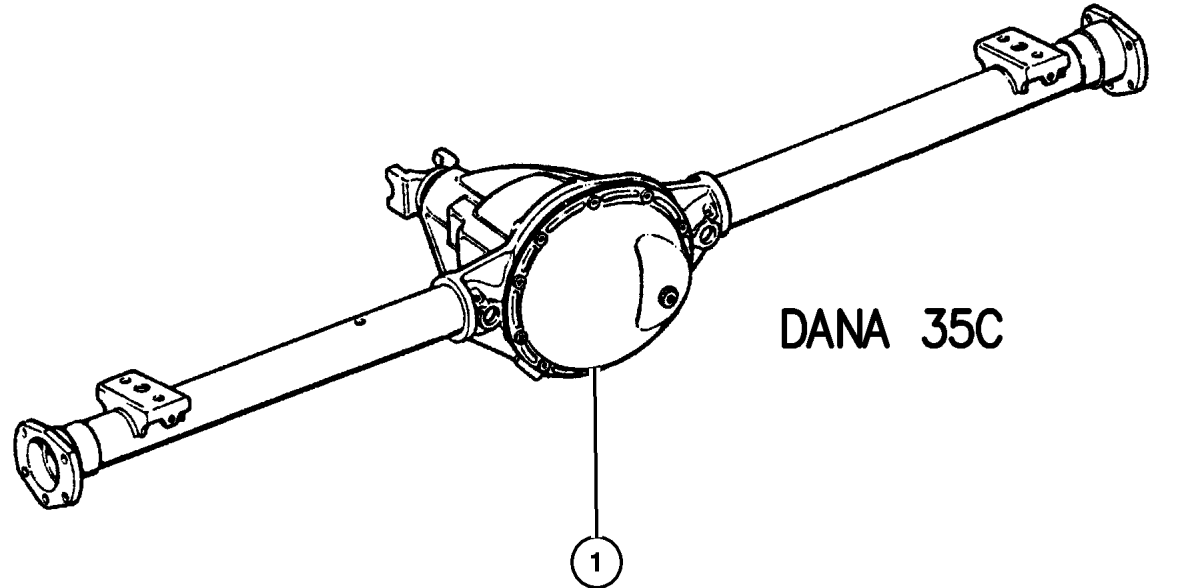
Note:Sales Codes;  
 [DME]=Axle Ratio - 3.73  
 [DMF]=Axle Ratio - 4.11  
 [DMM]=Axle Ratio - 3.07  
 [DRJ]=Axle - Rear,Dana M35/194MM  
 [DRK]=Axle - Rear,Dana 44/226MM  
 [DSA]=Axle - Trac-Lok Differential

1									AXLE, Service Rear
	4897 249AA	1	J						[DMM] Tag 52111758AB-Up To and Including 10-01-00
	4897 249AB	1	J						[DMM] Tag 52111758AF-10-02-00 and After
	4897 249AA	1	J						[DMM] Tag 52111760AB-Up To and Including 10-01-00
	4897 249AB	1	J						[DMM] Tag 52111760AE-10-02-00 and After
	4897 237AA	1	J						[DMM,DSA] Tag 52111764AB-Up To and Including 10-01-00
	4897 237AB	1	J						[DMM,DSA] Tag 52111764AE-10-02-00 and After
	4897 242AA	1	J						[DME] Tag 52111763AB-Up To and Including 10-01-00
	4897 242AB	1	J						[DME] Tag 52111763AE-10-02-00 and After
	4897 235AA	1	J						[DME,DSA] Tag 52111030AA-Up To and Including 10-01-00
	4897 235AB	1	J						[DME,DSA] Tag 52111030AE-10-02-00 and After
	4897 235AA	1	J						[DME,DSA] Tag 52111929AB-Up To and Including 10-01-00
	4897 235AB	1	J						[DME,DSA] Tag 52111929AE-10-02-00 and After
	4897 240AA	1	J						[DMF] Tag 52111762AB-Up To and Including 10-01-00
	4897 240AB	1	J						[DMF] Tag 52111762AE-10-02-00 and After
	4897 261AA	1	J						[DMF,DSA] Tag 52111766AB-Up To and Including 10-01-00
	4897 261AB	1	J						[DMF,DSA] Tag 52111766AE-10-02-00 and After
2									AXLE, Service Rear
	5019 157AA	1	J						[DME] Tag 52104454AA-Up To and Including 10-01-00

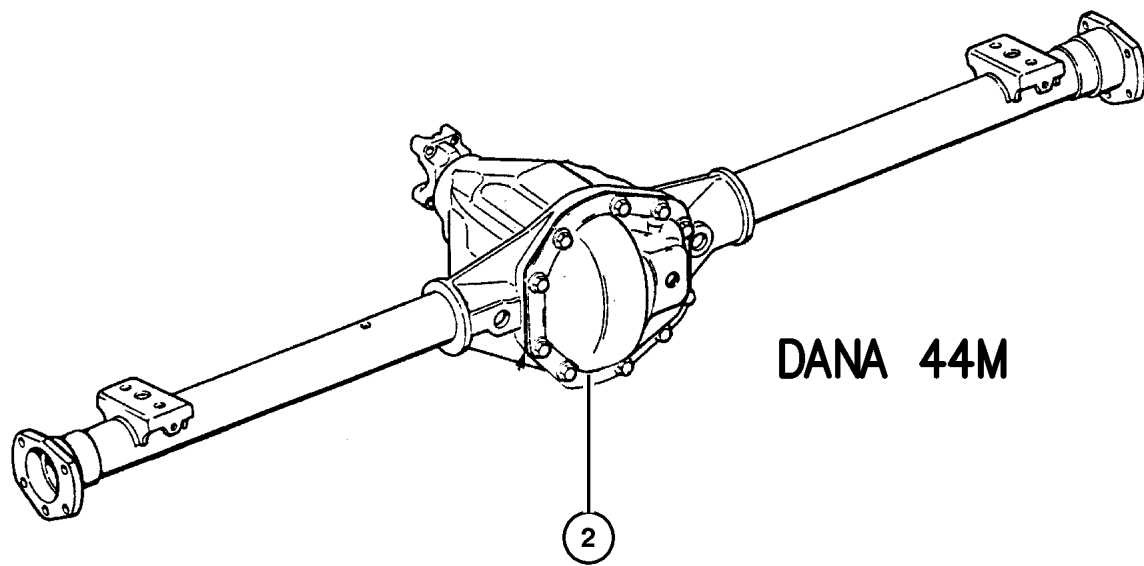
**JEEP WRANGLER (TJ)**  
 SERIES LINE BODY ENGINE TRANSMISSION  
 H = Sport J = Wrangler 4WD 77 = 93.4 WB EPE, EP0 = 2.5L Power Tech DGG, DGD = 32RH 3 Spd. Auto.  
 L = SE U = Wrangler 4WD (RHD) ERH, ER0 = 4.0L Power Tech DDQ = 5 Spd. Manual  
 P = Sahara DDD = 5 Speed HD Manual  
 DG0 = Auto. Trans.  
 DBB = Manual Trans.

AR = Use as required - = Non illustrated part # = New this model year

September 16, 2005

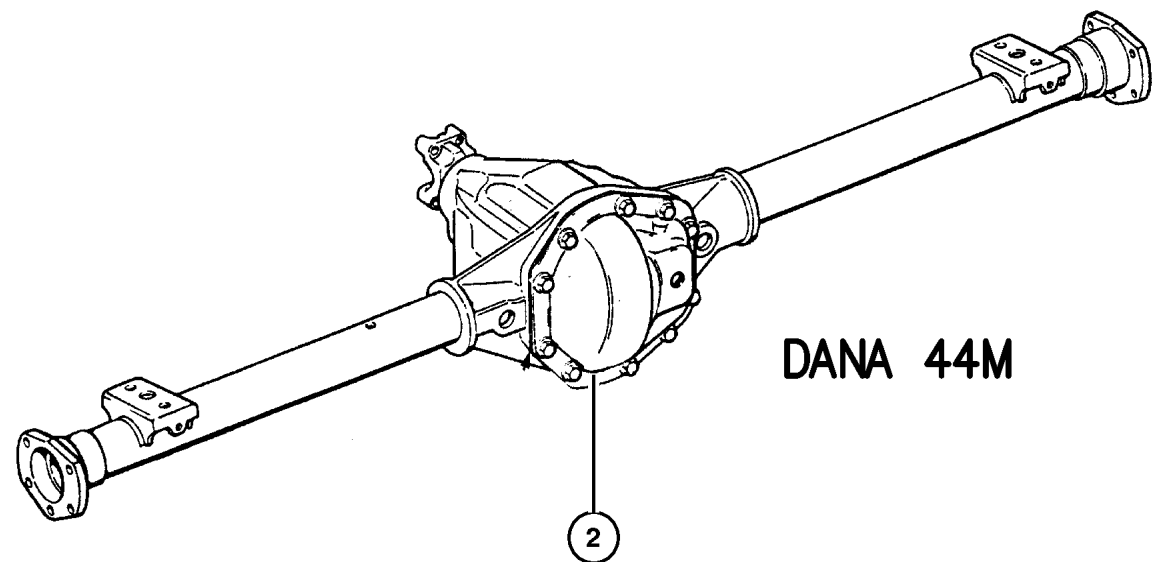
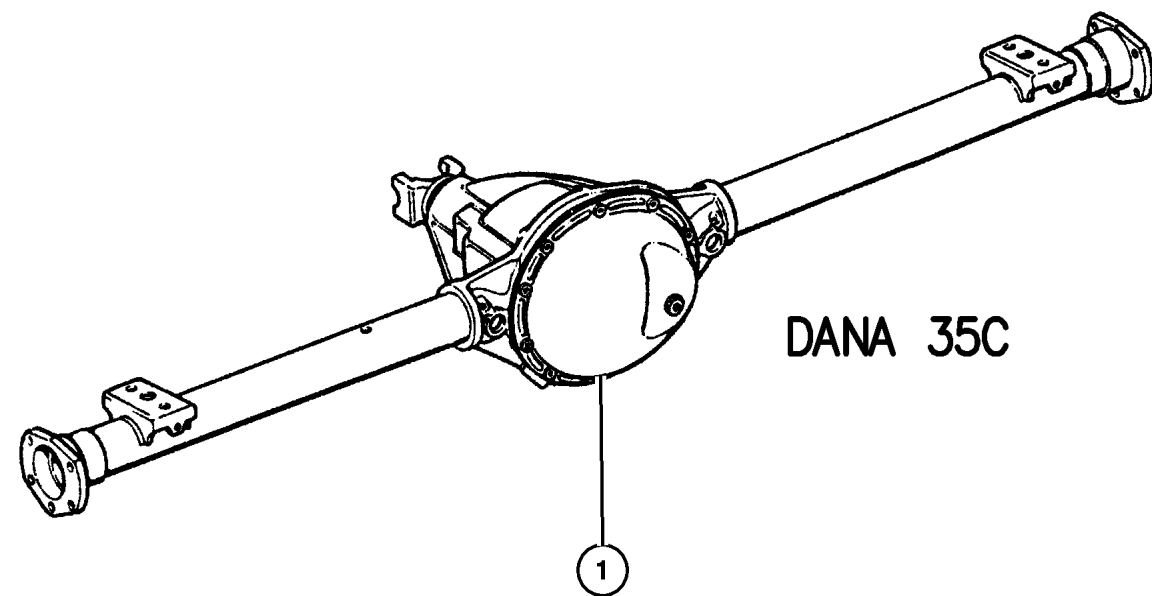


**DANA 35C**



**DANA 44M**

Axle Assembly, Rear  
Figure 003-110



ITEM	PART NUMBER	QTY	LINE	SERIES	BODY	ENGINE	TRANS	TRIM	DESCRIPTION
	5019 157AB	1	J						[DME] Tag 52104454AD-10-02-00 and After
	5003 375AA	1	J						[DME,DSA] Tag 52111032AA-Up To and Including 10-01-00
	5003 375AB	1	J						[DME,DSA] Tag 52111032AE-10-02-00 and After
	4897 290AA	1	U						[DMM,DSA] Tag 52111750AB-Up To and Including 10-01-00
	4897 290AB	1	U						[DMM,DSA] Tag 52111750AF-10-02-00 and After
	4897 291AA	1	U						[DME,DSA] Tag 52111751AB-Up To and Including 10-01-00
	4897 291AB	1	U						[DME,DSA] Tag 52111751AF-10-02-00 and After

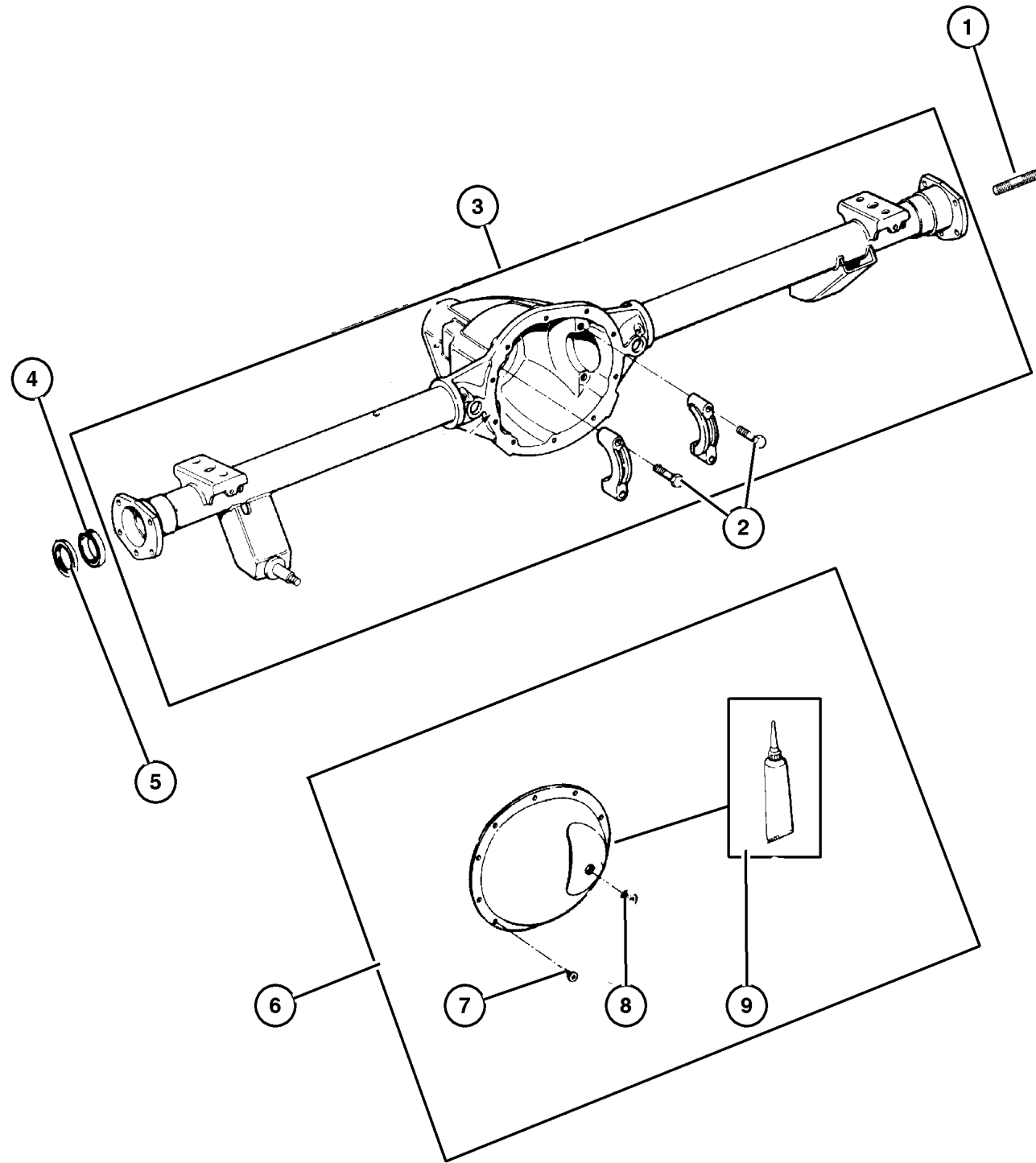
JEEP WRANGLER (TJ)

SERIES	LINE	BODY	ENGINE	TRANSMISSION
H = Sport	J = Wrangler 4WD	77 = 93.4 WB	EPE, EP0 = 2.5L Power Tech	DGG, DGD = 32RH 3 Spd. Auto.
L = SE	U = Wrangler 4WD (RHD)		ERH, ER0 = 4.0L Power Tech	DDQ = 5 Spd. Manual
P = Sahara				DDD = 5 Speed HD Manual
				DG0 = Auto. Trans.
				DBB = Manual Trans.

AR = Use as required - = Non illustrated part # = New this model year

September 16, 2005

Housing,Rear Axle,Dana 35/194MM [DRJ]  
Figure 003-210



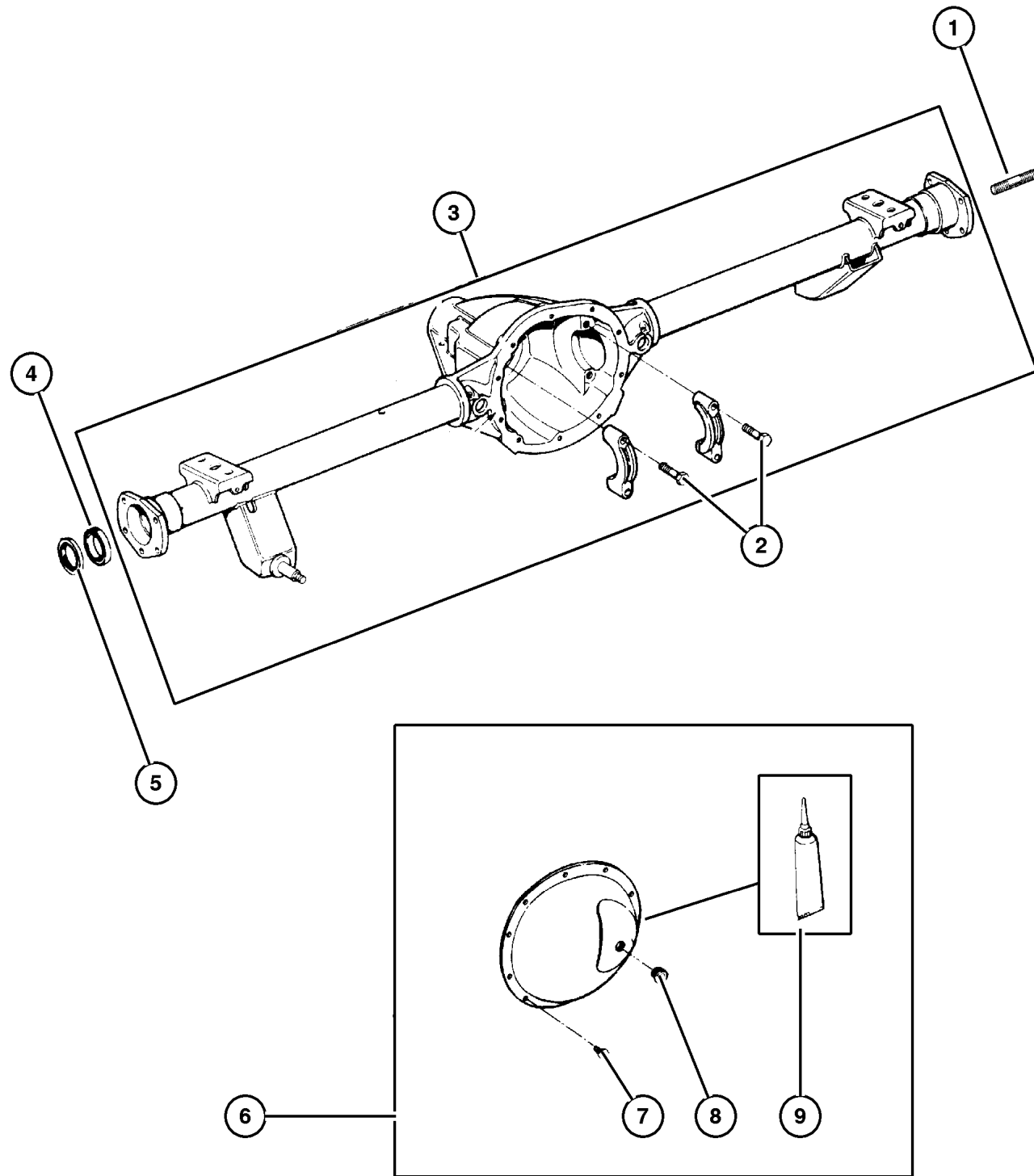
ITEM	PART NUMBER	QTY	LINE	SERIES	BODY	ENGINE	TRANS	TRIM	DESCRIPTION
Note:Sales Codes;									
[DRJ]=Axle - Rear,Dana M35/194MM									
1	4897 234AA	8	J						BOLT, Backing Plate to Axle Housing
2	4897 482AB	4	J						BOLT, Differential, Carrier Cap Retaining
3	4897 233AA	1	J						HOUSING, Axle, with Axle Shaft Bearings
4	J8134 586AB	2	J						BEARING, Axle Shaft
5	4856 336	2	J						SEAL, Axle Drive Shaft
6	5252 493	1	J						COVER, Differential, Comes with Cover Screws,Plug, and Gasket
7	J400 6708	10	J						SCREW, Pan Head, .312-18x.56, Cover Attaching
8	5252 504	1	J						PLUG, Differential Cover
9	5010 884AA	1	J						SEALANT, RTV

JEEP WRANGLER (TJ)				BODY	ENGINE	TRANSMISSION
SERIES	LINE			77 = 93.4 WB	EPE, EP0 = 2.5L Power Tech ERH, ER0 = 4.0L Power Tech	DGG, DGD = 32RH 3 Spd. Auto. DDQ = 5 Spd. Manual DDD = 5 Speed HD Manual DG0 = Auto. Trans. DBB = Manual Trans.
H = Sport	J = Wrangler 4WD					
L = SE	U = Wrangler 4WD (RHD)					
P = Sahara						

AR = Use as required - = Non illustrated part # = New this model year

September 16, 2005

Housing,Rear Axle,Dana 44/226MM [DRK]  
Figure 003-220



ITEM	PART NUMBER	QTY	LINE	SERIES	BODY	ENGINE	TRANS	TRIM	DESCRIPTION
------	-------------	-----	------	--------	------	--------	-------	------	-------------

Note:Sales Codes;

[DRK]=Axle - Rear,Dana 44/226MM

1	J099 4313	8	J						STUD, Axle Housing to Backing Plate, Mounting
2	J400 6553	4	J						BOLT, Differential, Carrier Cap Retaining
3	4882 840	1	J						HOUSING, Axle Up To and Including 10-01-00
	4882 840AB	1	J						10-02-00 and After
	4882 348	1	U						Up To and Including 10-01-00
	4882 348AB	1	U						10-02-00 and After
4	8350 3064	1	J						BEARING, Axle
		2	U						
5	8350 3063	1	J						SEAL, Axle Drive Shaft
		2	U						
6	8350 5549	1	J						COVER, Differential with Cover Screws,Plug,and Gasket
		1	U						with Cover Screws,Plug,and Gasket
7	J400 6708	10							SCREW, Pan Head, .312-18x.56, Differential Cover, Mounting
8	5252 504	1	J						PLUG, Differential Cover
		1	U						
9	5010 884AA	1	J						SEALANT, RTV
		1	U						

JEEP WRANGLER (TJ)

SERIES  
H = Sport  
L = SE  
P = Sahara

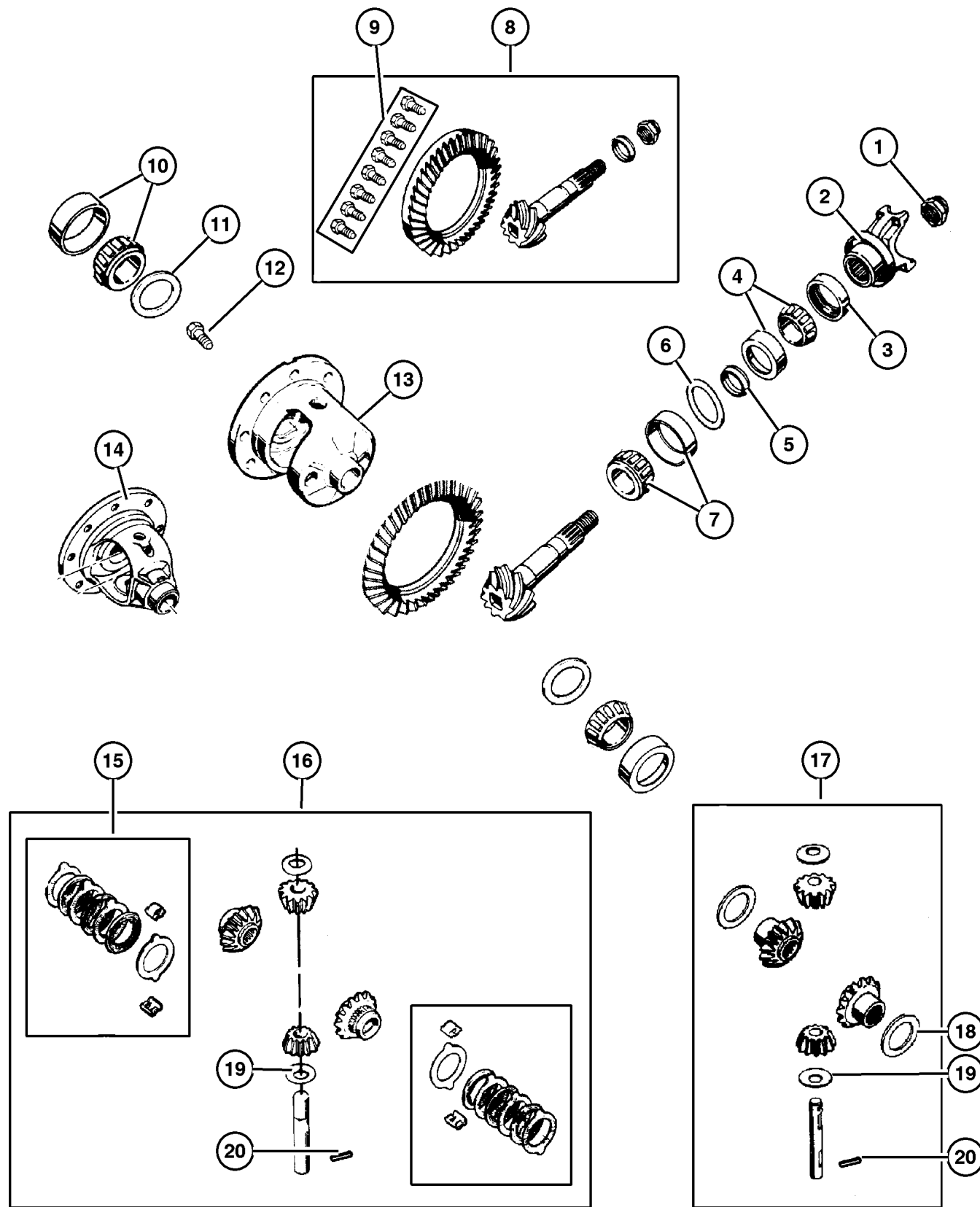
LINE  
J = Wrangler 4WD  
U = Wrangler 4WD (RHD)

BODY  
77 = 93.4 WB

ENGINE  
EPE, EP0 = 2.5L Power Tech  
ERH, ER0 = 4.0L Power Tech

TRANSMISSION  
DGG, DGD = 32RH 3 Spd. Auto.  
DDQ = 5 Spd. Manual  
DDD = 5 Speed HD Manual  
DG0 = Auto. Trans.  
DBB = Manual Trans.

Differential, With and Without Trac-Lok [DSA] Dana 35/194MM [DRJ]  
Figure 003-230



ITEM	PART NUMBER	QTY	LINE	SERIES	BODY	ENGINE	TRANS	TRIM	DESCRIPTION
------	-------------	-----	------	--------	------	--------	-------	------	-------------

Note: Sales Codes;

[DME]=Axle Ratio - 3.73

[DMF]=Axle Ratio - 4.11

[DMM]=Axle Ratio - 3.07

[DRJ]=Axle - Rear, Dana 35/194MM

[DSA]=Axle - Anti-Spin Differential

1	4720 895	1	J						NUT, Pinion Yoke
2	4897 025AA	1	J						YOKE, Axle
3	8350 4946	1	J						SEAL, Drive Pinion
4	5252 508	1	J						BEARING, Drive Pinion, Bearing and Cup, Front
5	J317 5779	1	J						SPACER, Drive Pinion Bearing, Crush
6	4720 922	1	J						SHIM KIT, Pinion Shaft
7	5252 507	1	J						BEARING, Drive Pinion, Bearing and Cup, Rear
8									GEAR KIT, Ring And Pinion
	8350 5472	1	J						[DMM] Up To and Including 10-01-00
	5073 013AA	1	J						[DMM] 10-02-00 and After
	4761 678	1	J						[DME] Up To and Including 10-01-00
	8350 4938	1	J						[DMF] Up To and Including 10-01-00
	5073 266AA	1	J						[DMF] 10-02-00 and After
9	4720 891	2	J						BOLT KIT
10	J812 6500	1	J						BEARING, Differential, Consists of 2 Bearings and 2 Cups
11	8350 3004	1	J						SHIM KIT, Differential
12	5252 503	20	J						SCREW, Drive Gear, Ring Gear, Mounting
13									CASE, Differential
	4740 834	1	J						[DME,DMF] With Internal Parts-Up To and Including 10-01-00
	5072 976AA	1	J						[DME,DMF] With Internal Parts-10-02-00 and After
	5252 496	1	J						[DME,DMF,DSA] With Internal Parts-Up To and Including 10-01-00
	5012 831AB	1	J						[DME,DMF,DSA] With Internal Parts-10-02-00 and After
	5252 512	1	J						[DMM,DSA] With Internal Parts-Up To and Including 10-01-00

JEEP WRANGLER (TJ)

SERIES  
H = Sport  
L = SE  
P = Sahara

LINE  
J = Wrangler 4WD  
U = Wrangler 4WD (RHD)

BODY  
77 = 93.4 WB

ENGINE  
EPE, EP0 = 2.5L Power Tech  
ERH, ER0 = 4.0L Power Tech

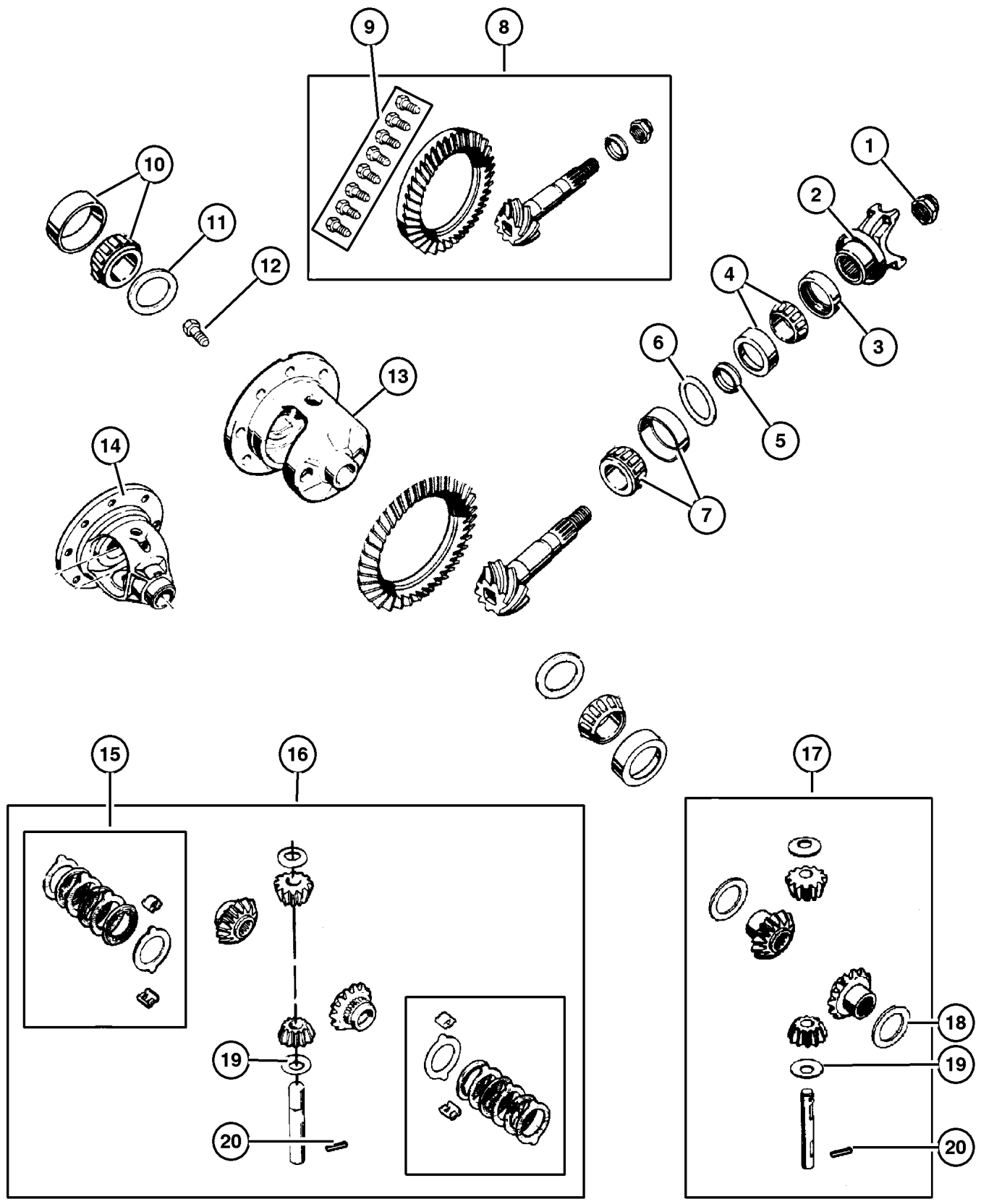
TRANSMISSION  
DGG, DGD = 32RH 3 Spd. Auto.  
DDQ = 5 Spd. Manual  
DDD = 5 Speed HD Manual  
DG0 = Auto. Trans.  
DBB = Manual Trans.

AR = Use as required - = Non illustrated part # = New this model year

September 16, 2005

Differential, With and Without Trac-Lok [DSA] Dana 35/194MM [DRJ]  
Figure 003-230

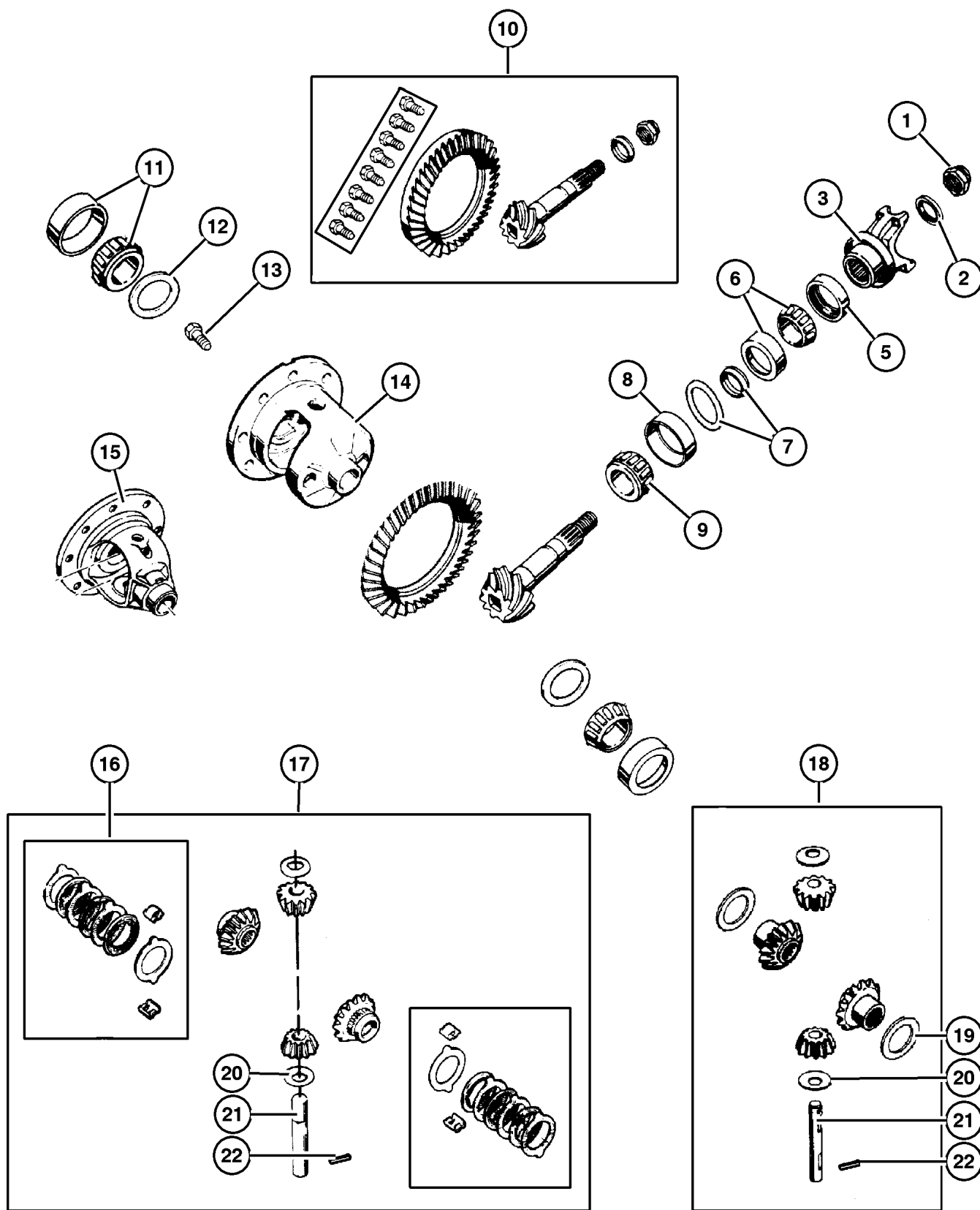
ITEM	PART NUMBER	QTY	LINE	SERIES	BODY	ENGINE	TRANS	TRIM	DESCRIPTION
	5073 014AA	1	J						[DMM, DSA] With Internal Parts-10-02-00 and After
	4740 833	1	J						[DMM] With Internal Parts-Up To and Including 10-01-00
	5073 110AA	1	J						[DMM] With Internal Parts-10-02-00 and After
14	4740 833	1	J						CASE, Differential [DMM] without [DSA] with Internal Parts
	4740 834	1	J						[DME, DMF] without [DSA] with Internal Parts
15	5252 506	1	J						DISC AND PLATE KIT, Differential, [DSA]
16	4773 010	1	J						GEAR KIT, Center Differential, with [DSA]
17	4740 670	1	J						GEAR KIT, Center Differential, without [DSA]
18	J812 0832	2	J						WASHER, Differential Side Gear, without [DSA]
19	J812 0831	2	J						WASHER, Flat, without [DSA] Pinion Thrust
20	5252 502	1	J						PIN, Differential Shaft, with or without [DSA]



**JEEP WRANGLER (TJ)**  
 SERIES LINE BODY ENGINE TRANSMISSION  
 H = Sport J = Wrangler 4WD 77 = 93.4 WB EPE, EP0 = 2.5L Power Tech DGG, DGD = 32RH 3 Spd. Auto.  
 L = SE U = Wrangler 4WD (RHD) ERH, ER0 = 4.0L Power Tech DDQ = 5 Spd. Manual  
 P = Sahara DDD = 5 Speed HD Manual  
 DG0 = Auto. Trans.  
 DBB = Manual Trans.



Differential, With and Without Trac-Lok [DSA] Dana 44/226MM [DRK]  
Figure 003-240



ITEM	PART NUMBER	QTY	LINE	SERIES	BODY	ENGINE	TRANS	TRIM	DESCRIPTION
Note: Sales Codes;									
[DME]=Axle Ratio - 3.73									
[DMM]=Axle Ratio - 3.07									
[DRK]=Axle - Rear, Dana 44/226MM									
[DSA]=Axle - Anti-Spin Differential									
1	1791 575	1	J						NUT, Pinion Yoke
2	1791 576	1	J						WASHER, Pinion Yoke
3	4897 026AA	1	J						YOKE, Axle
-4	4031 974	1	J						SLINGER, Drive Pinion
5	4746 772	1	J						SEAL, Drive Pinion Non Flanged
	5072 473AA	1	J						Flanged
	4746 772	1	U						Non Flanged
	5072 473AA	1	U						Flanged
6	J812 4052	1	J						BEARING, Drive Pinion Bearing and Cup, Front
		1	U						Bearing and Cup, Front
7	J812 9221	1	J						SHIM KIT, Pinion Shaft
		1	U						
8	0698 413	1	J						CUP, Bearing Inner
		1	U						Rear
9	J080 7266	1	J						BEARING, Drive Pinion
		1	U						Rear
10	4882 352	1	J						GEAR KIT, Ring And Pinion
	8350 4197	1	U						[DME]
	4882 352	1	U						[DMM]
11	4746 733	1	J						BEARING, Differential Case
		1	U						Consists of 2 Bearings and 2 Cups
12									Consists of 2 Bearings and 2 Cups
									SHIM KIT, Differential

JEEP WRANGLER (TJ)

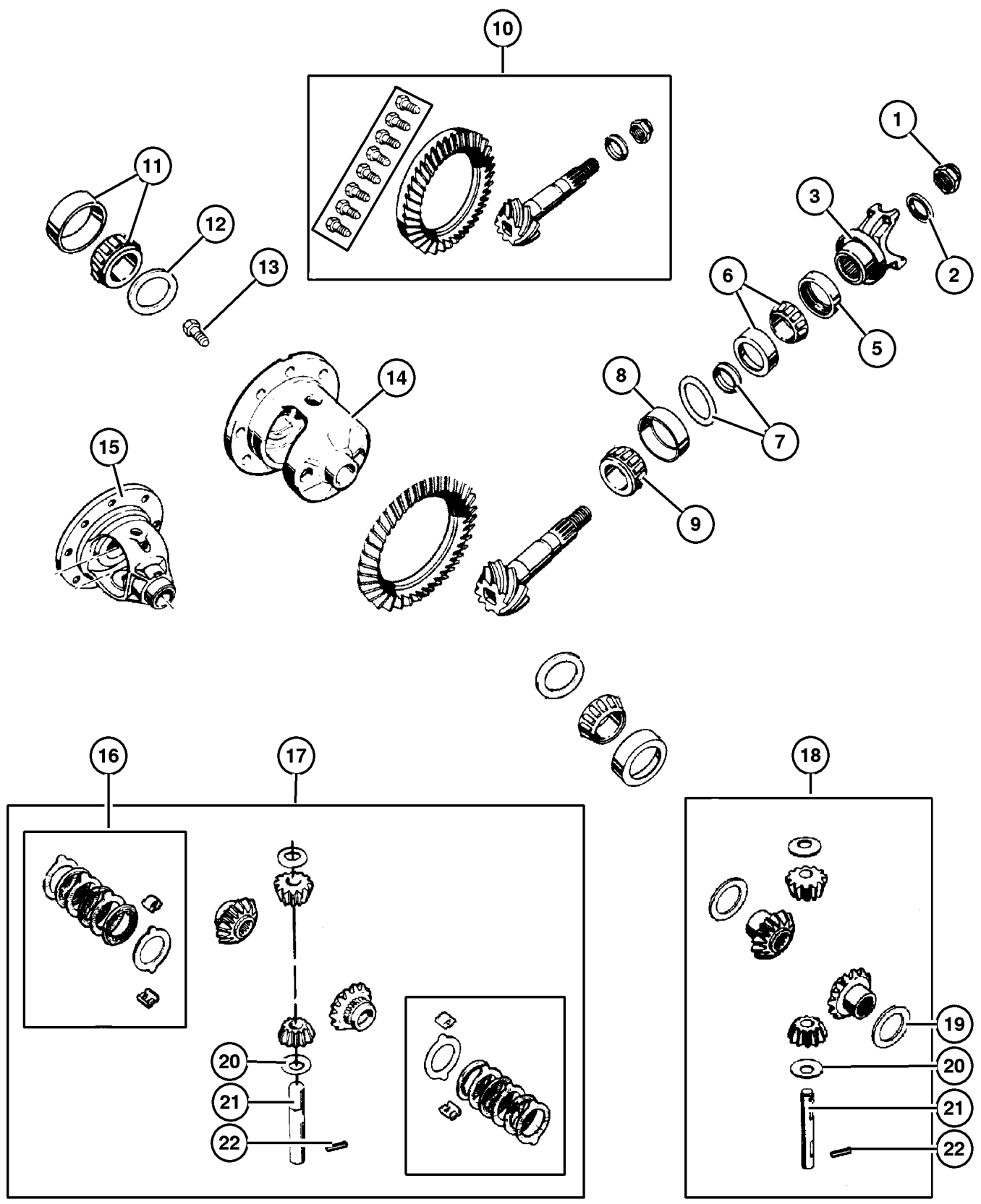
SERIES	LINE	BODY	ENGINE	TRANSMISSION
H = Sport	J = Wrangler 4WD	77 = 93.4 WB	EPE, EP0 = 2.5L Power Tech	DGG, DGD = 32RH 3 Spd. Auto.
L = SE	U = Wrangler 4WD (RHD)		ERH, ER0 = 4.0L Power Tech	DDQ = 5 Spd. Manual
P = Sahara				DDD = 5 Speed HD Manual
				DG0 = Auto. Trans.
				DBB = Manual Trans.

AR = Use as required - = Non illustrated part # = New this model year

September 16, 2005

Differential, With and Without Trac-Lok [DSA] Dana 44/226MM [DRK]  
Figure 003-240

ITEM	PART NUMBER	QTY	LINE	SERIES	BODY	ENGINE	TRANS	TRIM	DESCRIPTION
	J812 9222	1	J						
		1	U						
13	5252 503	10	J						SCREW, Drive Gear
		10	U						Ring Gear, Mounting
		10	U						Ring Gear, Mounting
14	8350 5431	1	J						CASE, Differential
		1	U						with [DSA] with Internal Parts
		1	U						with [DSA] with Internal Parts
15	4778 672	1	J						CASE, Differential, without [DSA]
									with Internal Parts
16	J099 4345	1	J						DISC AND PLATE KIT, Differential
		1	U						with [DSA]
		1	U						with [DSA]
17	8350 5432	1	J						GEAR KIT, Center Differential
		1	U						with [DSA]
		1	U						with [DSA]
18	4778 595	1	J						GEAR KIT, Center Differential,
									without [DSA]
19	4137 755	2	J						WASHER, Differential Side Gear,
									without [DSA]
20									WASHER, Pinion Thrust
	1791 561	2	J						with or without [DSA]
		2	U						with or without [DSA]
21	8350 3069	1	J						SHAFT, Differential
		1	U						with or without [DSA]
		1	U						with or without [DSA]
22	1791 563	1	J						PIN, Differential Shaft
		1	U						with or without [DSA]
		1	U						with or without [DSA]



JEEP WRANGLER (TJ)  
 SERIES LINE BODY ENGINE TRANSMISSION  
 H = Sport J = Wrangler 4WD 77 = 93.4 WB EPE, EP0 = 2.5L Power Tech DGG, DGD = 32RH 3 Spd. Auto.  
 L = SE U = Wrangler 4WD (RHD) ERH, ER0 = 4.0L Power Tech DDQ = 5 Spd. Manual  
 P = Sahara DDD = 5 Speed HD Manual  
 DG0 = Auto. Trans.  
 DBB = Manual Trans.

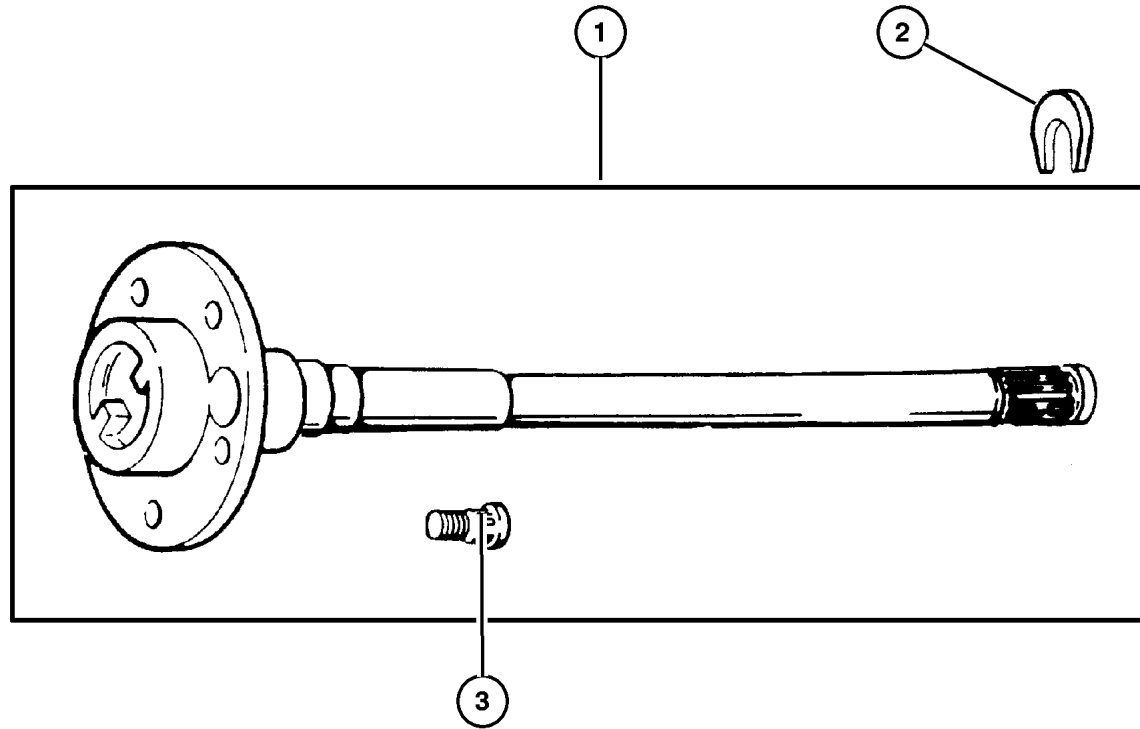
**Shaft,Rear Axle,Dana 35/194MM [DRJ]  
Figure 003-410**

ITEM	PART NUMBER	QTY	LINE	SERIES	BODY	ENGINE	TRANS	TRIM	DESCRIPTION
------	-------------	-----	------	--------	------	--------	-------	------	-------------

Note:Sales Codes;

[DRJ]=Axle - Rear,Dana 35/194MM

1									SHAFT, Axle Right Left
	4713 192	1	J						
	4713 193	1	J						
2	5252 505	2	J						RETAINER, Axle Shaft, Right or Left
3	5011 312AA	10	J						STUD, Hub, Wheel



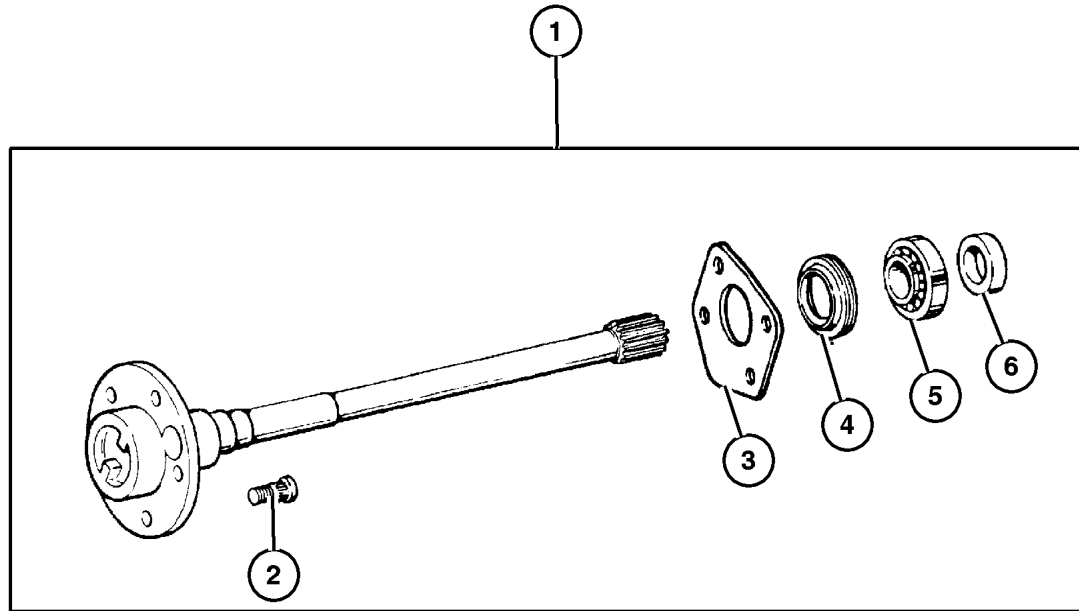
**JEEP WRANGLER (TJ)**

SERIES	LINE	BODY	ENGINE	TRANSMISSION
H = Sport	J = Wrangler 4WD	77 = 93.4 WB	EPE, EP0 = 2.5L Power Tech	DGG, DGD = 32RH 3 Spd. Auto.
L = SE	U = Wrangler 4WD (RHD)		ERH, ER0 = 4.0L Power Tech	DDQ = 5 Spd. Manual
P = Sahara				DDD = 5 Speed HD Manual
				DG0 = Auto. Trans.
				DBB = Manual Trans.

AR = Use as required - = Non illustrated part # = New this model year

September 16, 2005

**Shaft,Rear Axle,Dana 44/226MM [DRK]  
Figure 003-420**



ITEM	PART NUMBER	QTY	LINE	SERIES	BODY	ENGINE	TRANS	TRIM	DESCRIPTION
------	-------------	-----	------	--------	------	--------	-------	------	-------------

Note:Sales Codes;  
[DRK]=Axle - Rear,Dana 44/226MM

1	4882 350	1	J						SHAFT, Axle Right
	4882 351	1	J						Left
	4882 350	1	U						Right
	4882 351	1	U						Left
2	5011 312AA	10	J						STUD, Hub Wheel
		10	U						Wheel
3	5010 811AA	1	J						RETAINER, Axle Shaft Seal
		1	U						
4	8350 3063	2	J						SEAL, Axle Drive Shaft
		2	U						
5	8350 3064	2	J						BEARING, Axle
		2	U						
6	8350 3077	2	J						RING, Axle Shaft
		2	U						

**JEEP WRANGLER (TJ)**

SERIES  
H = Sport  
L = SE  
P = Sahara

LINE  
J = Wrangler 4WD  
U = Wrangler 4WD (RHD)

BODY  
77 = 93.4 WB

ENGINE  
EPE, EP0 = 2.5L Power Tech  
ERH, ER0 = 4.0L Power Tech

TRANSMISSION  
DGG, DGD = 32RH 3 Spd. Auto.  
DDQ = 5 Spd. Manual  
DDD = 5 Speed HD Manual  
DG0 = Auto. Trans.  
DBB = Manual Trans.

# Group – 004

## Parking Brake

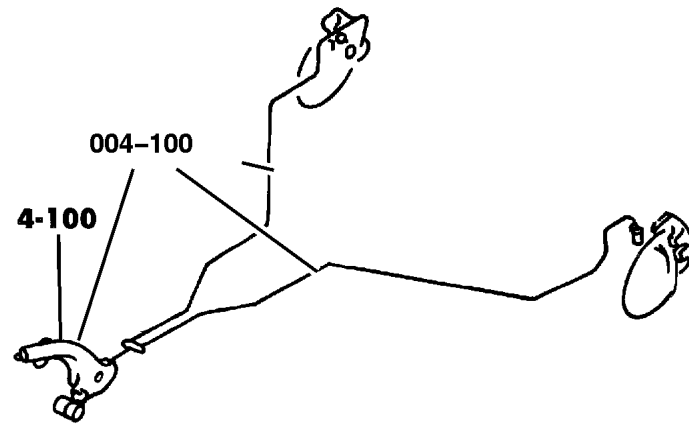
### GROUP 4 - Parking Brake


Illustration Title

Group-Fig. No.

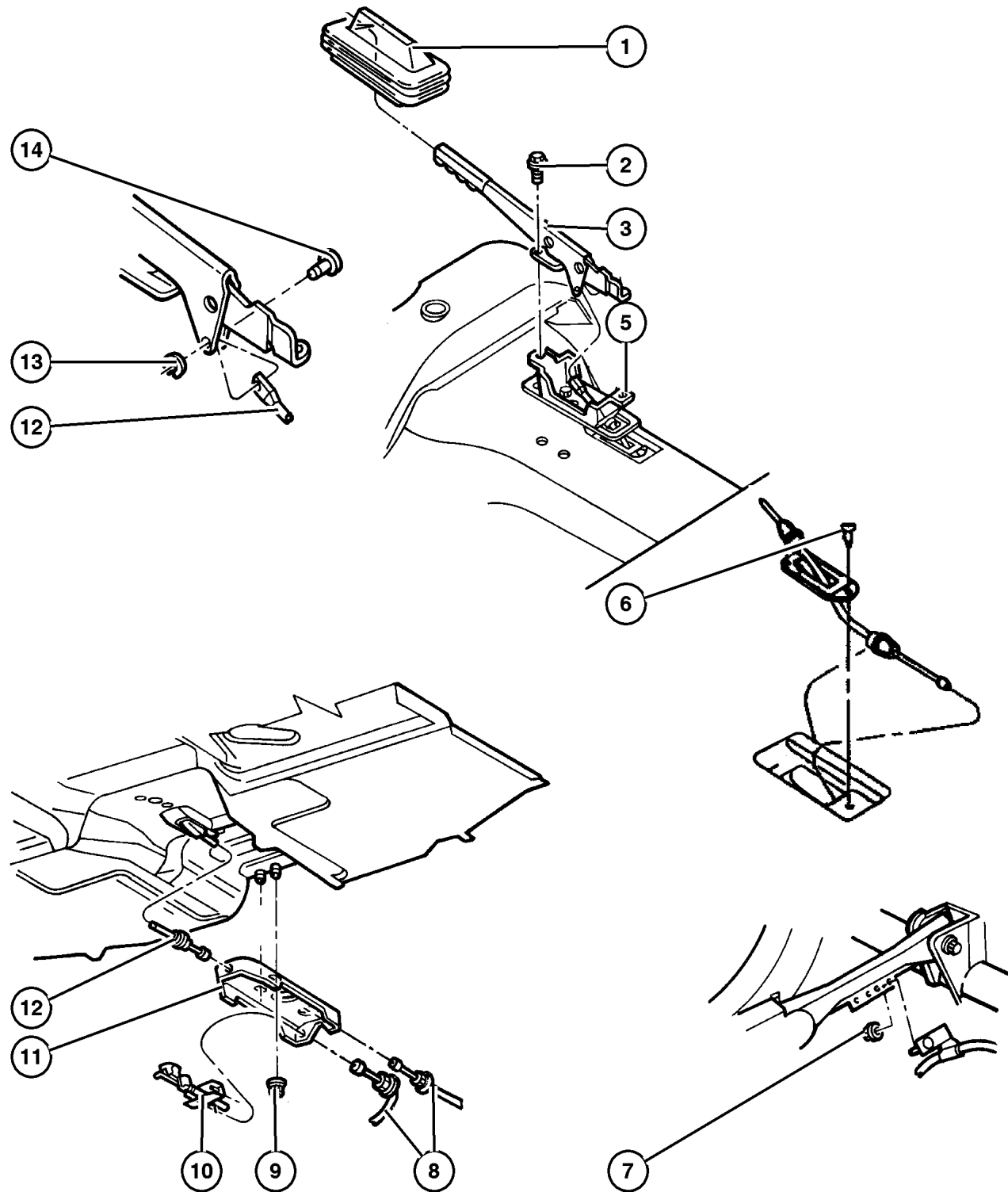
#### Parking Brake Lever and Cables

Parking Brake Lever and Cables ..... Fig. 004-110



<p><b>004-100</b> Parking Brake Lever and Cables</p> 			
--	--	--	--

## Parking Brake Lever and Cables Figure 004-110



ITEM	PART NUMBER	QTY	LINE	SERIES	BODY	ENGINE	TRANS	TRIM	DESCRIPTION
1	52078 891AB	1							BOOT, Parking Brake Lever, [-CUF]
2	3420 1686	2							BOLT, Hex Flange Head, M12x1.18x35, Parking Brake Lever to Bracket Mounting
3	52128 203AB	1							LEVER, Park Brake
-4	5212 7960	1							SWITCH, Parking Brake
5									BRACKET, Parking Lever
	5212 8204	1							[CUF]
	5212 8191	1							[CUM]
6	0153 644	3							SCREW, .190-16x.500, Front Parking Brake Cable Seal to Floor Pan
7	6101 695	1							NUT, Hex Flange Lock, M8x1.25
8									CABLE, Parking Brake
	5200 8362	1	J						Rear, Right
	5200 8363	1	J						Rear, Left
	5200 8362	1	U						Rear, Right
	5200 8363	1	U						Rear, Left
9	6505 245AA	2							NUT, M8x1.25, Parking Brake Support Bracket to Floor Pan
10	5200 9527	1							TENSIONER, Parking Brake Cable, Adjusting
11	52127 952AC	1							BRACKET, Cable
12	52128 206AD	1							CABLE, Parking Brake, Front
13	5207 8012	1							CLIP, Parking Brake Cable, Parking Brake Lever
14	5207 8010	1							PIN, Parking Release, Parking Brake Lever

### JEEP WRANGLER (TJ)

SERIES	LINE	BODY	ENGINE	TRANSMISSION
H = Sport	J = Wrangler 4WD	77 = 93.4 WB	EPE, EP0 = 2.5L Power Tech	DGG, DGD = 32RH 3 Spd. Auto.
L = SE	U = Wrangler 4WD (RHD)		ERH, ER0 = 4.0L Power Tech	DDQ = 5 Spd. Manual
P = Sahara				DDD = 5 Speed HD Manual
				DG0 = Auto. Trans.
				DBB = Manual Trans.

AR = Use as required - = Non illustrated part # = New this model year

September 16, 2005

# Group – 005

## Service Brakes

### GROUP 5 - Service Brakes

Illustration Title

Group-Fig. No.

#### Front Brakes

Front Brakes ..... Fig. 005-110

#### Rear Brakes

Rear Drum Brakes ..... Fig. 005-210

#### Power Brake Booster

Power Brake Booster ..... Fig. 005-310

#### Brake Master Cylinder

Master Cylinder ..... Fig. 005-410

#### Brake Lines and Hoses

Hydraulic Control Unit ..... Fig. 005-510

Brake Lines and Hoses,Front,LHD Without ABS ..... Fig. 005-520

Brake Lines and Hoses,Front,RHD,Without ABS ..... Fig. 005-530

Brake Lines and Hoses,Rear,LHD,RHD Without ABS ..... Fig. 005-540

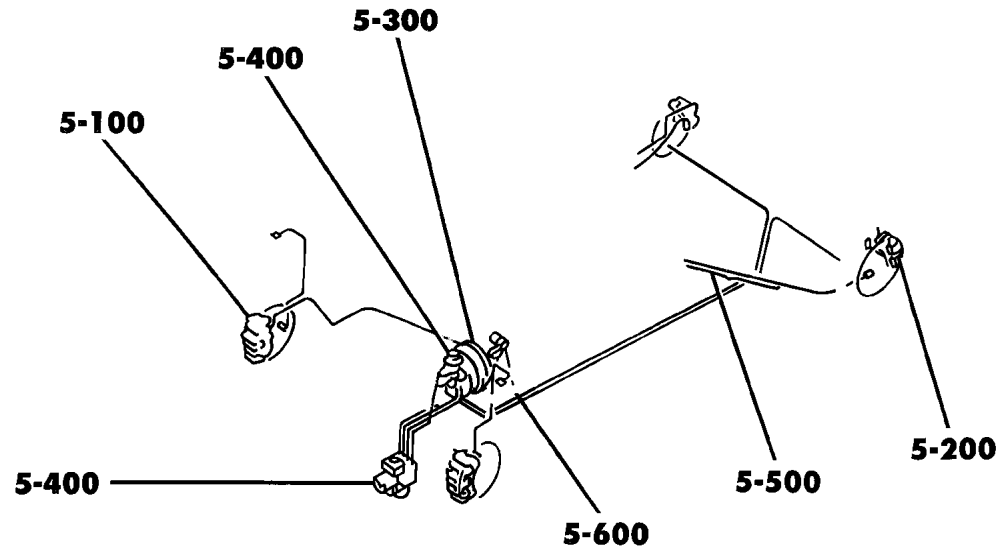
Brake Lines and Hoses,Front,LHD,With ABS ..... Fig. 005-550

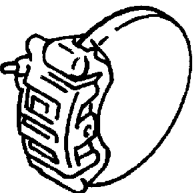
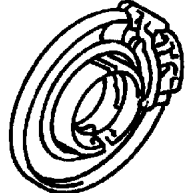
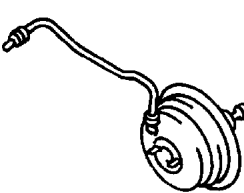
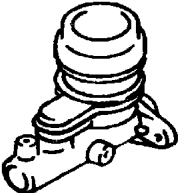
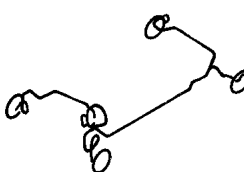

Brake Lines and Hoses,Rear,LHD,With ABS ..... Fig. 005-560

#### Brake Pedals

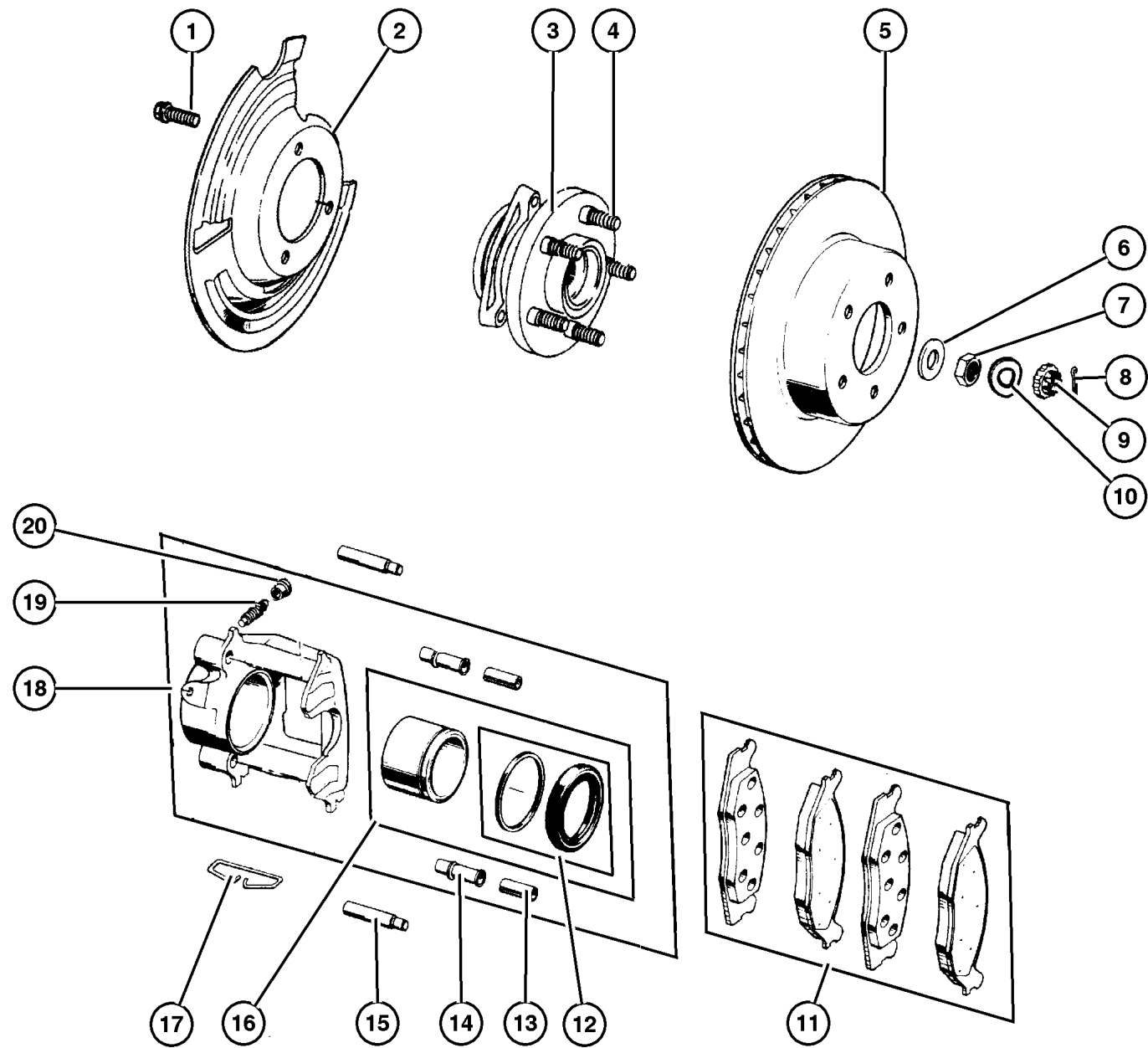
Brake Pedal,LHD ..... Fig. 005-610

Brake Pedal,RHD ..... Fig. 005-620



<p><b>005-100</b> Front Brakes</p> 	<p><b>005-200</b> Rear Brakes</p> 	<p><b>005-300</b> Power Brake Booster</p> 	<p><b>005-400</b> Brake Master Cylinder</p> 
<p><b>005-500</b> Brake Lines and Hoses</p> 	<p><b>005-600</b> Brake Pedals</p> 		

## Front Brakes Figure 005-110



ITEM	PART NUMBER	QTY	LINE	SERIES	BODY	ENGINE	TRANS	TRIM	DESCRIPTION
1									BOLT
	3420 1535	6	J						Knucke to Hub and Bearing Mounting
		6	U						Knucke to Hub and Bearing Mounting
2									SHIELD, Brake
	5200 5476	1	J						Right
	5200 5477	1	J						Left
	5200 5476	1	U						Right
	5200 5477	1	U						Left
3									HUB AND BEARING, Brake
	5016 458AA	2	J						
		2	U						
4									STUD, Hub
	6036 194AA	5	J						
		5	U						
5									ROTOR, Brake
	52008 440AB	2	J						
		2	U						
6									WASHER, Flat
	J420 0096	2	J						
		2	U						
7									NUT, Hex
	J420 0095	1	J						
		2	U						
8									PIN, Cotter, M4x40.00
	1101 0069	6	J						
		6	U						
9									RETAINER, Hub Nut
	J420 0097	2	J						
		2	U						
10									WASHER, Wave
	4740 749	2	J						
		2	U						
11									PAD KIT, Front Disc Brake
	4883 344	1	J						
		1	U						
12									BOOT AND SEAL, Disc Brake
	J813 3852	1	J						
		1	U						
13									BUSHING, Disc Brake Caliper
	4383 471	2	J						

### JEEP WRANGLER (TJ)

SERIES  
H = Sport  
L = SE  
P = Sahara

LINE  
J = Wrangler 4WD  
U = Wrangler 4WD (RHD)

BODY  
77 = 93.4 WB

ENGINE  
EPE, EP0 = 2.5L Power Tech  
ERH, ER0 = 4.0L Power Tech

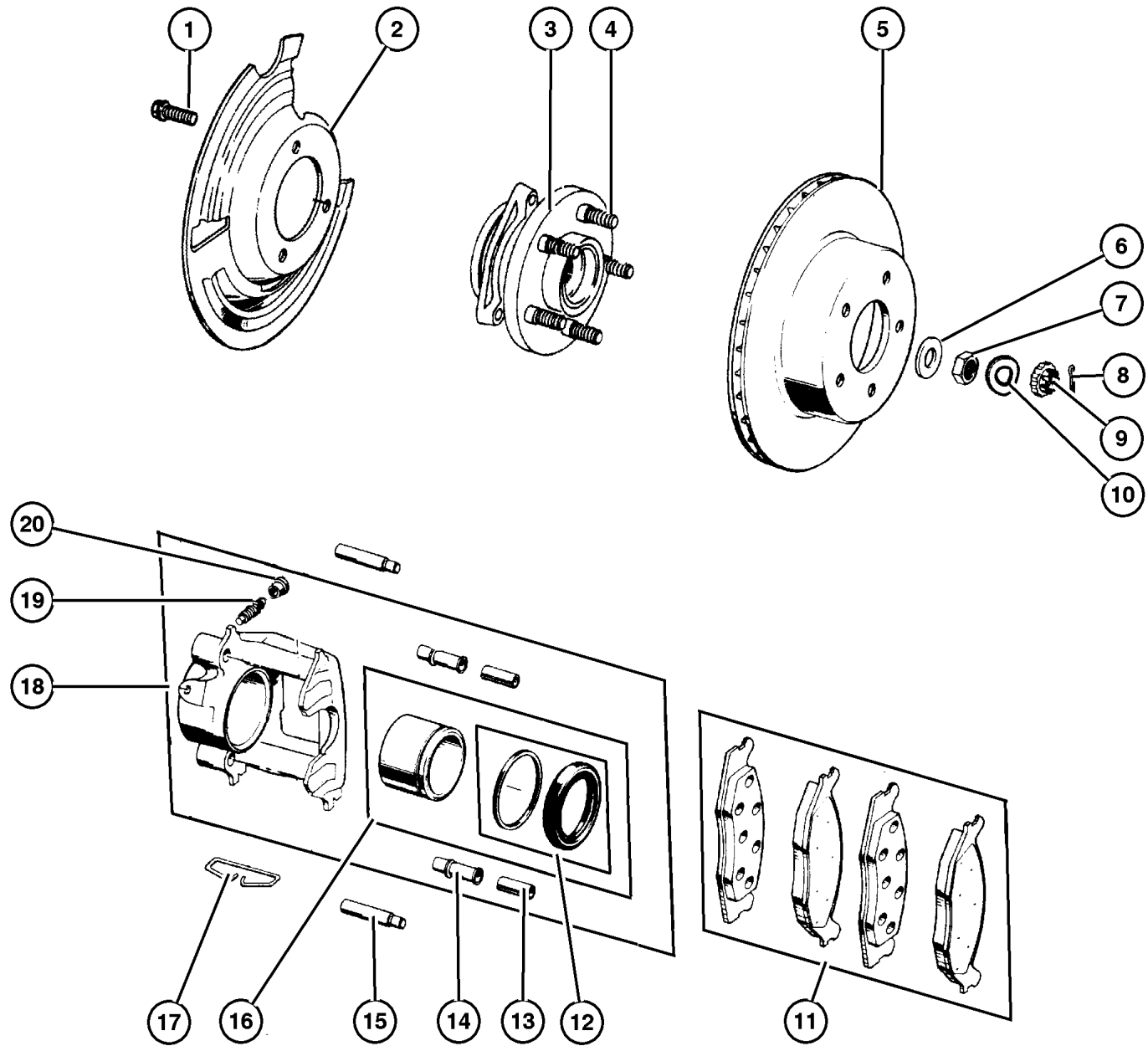
TRANSMISSION  
DGG, DGD = 32RH 3 Spd. Auto.  
DDQ = 5 Spd. Manual  
DDD = 5 Speed HD Manual  
DG0 = Auto. Trans.  
DBB = Manual Trans.

AR = Use as required - = Non illustrated part # = New this model year

September 16, 2005



## Front Brakes Figure 005-110



ITEM	PART NUMBER	QTY	LINE	SERIES	BODY	ENGINE	TRANS	TRIM	DESCRIPTION
		2	U						
14	4423 573	2	J						SLEEVE, Disc Brake Caliper
		2	U						
15	5253 000	4	J						PIN, Caliper
		4	U						
16	5252 614	1	J						PISTON, Brake
		1	U						
17	J323 9865	2	J						CLIP, Brake Caliper
		2	U						
18	5252 984	1	J						CALIPER, Disc Brake
	5252 985	1	J						Right
	5252 984	1	U						Left
	5252 984	1	U						Right
	5252 985	1	U						Left
19	J320 3313	1	J						SCREW, Bleeder
		1	U						
20	4238 717	1	J						CAP, Bleeder
		1	U						

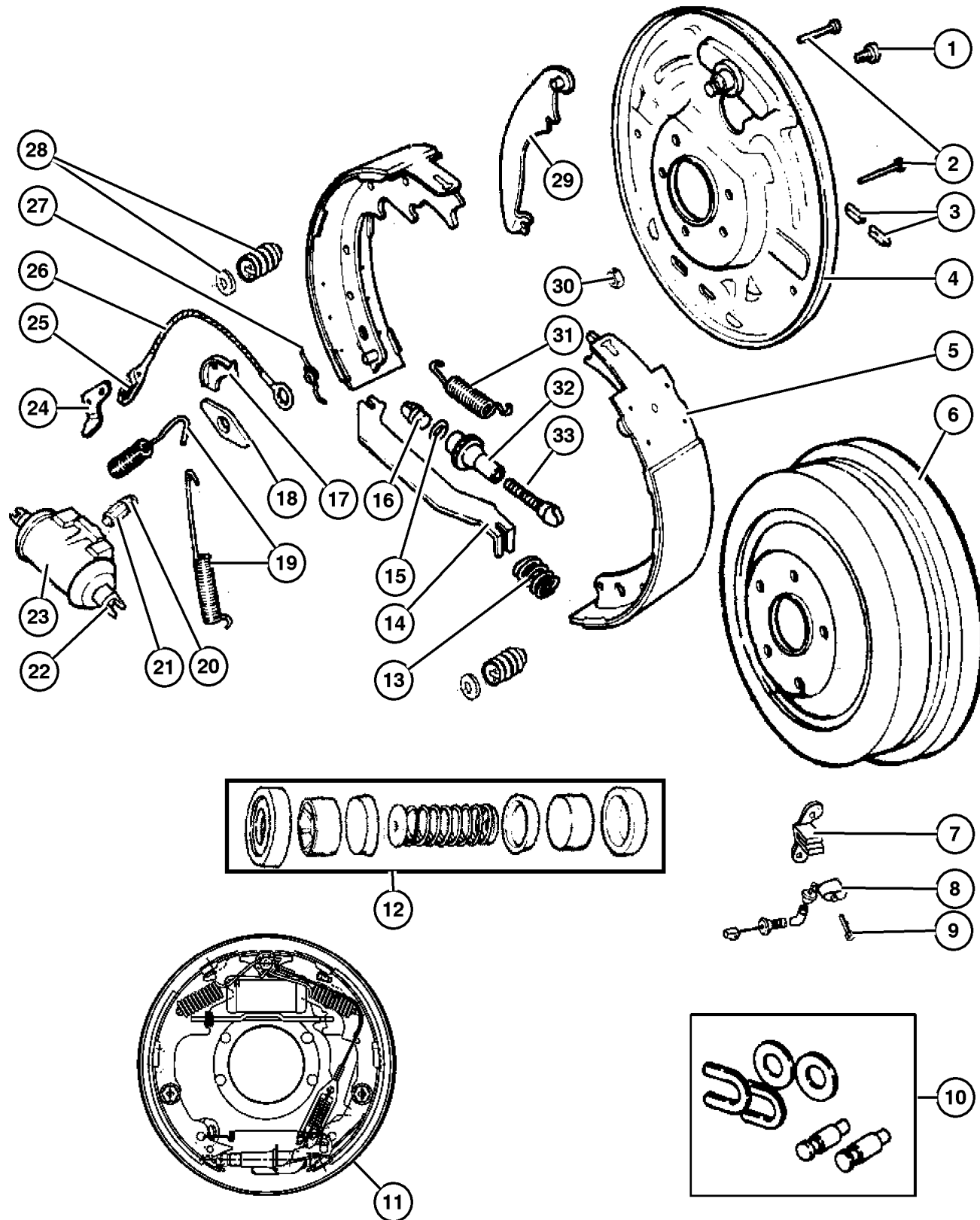
**JEEP WRANGLER (TJ)**

SERIES	LINE	BODY	ENGINE	TRANSMISSION
H = Sport	J = Wrangler 4WD	77 = 93.4 WB	EPE, EP0 = 2.5L Power Tech	DGG, DGD = 32RH 3 Spd. Auto.
L = SE	U = Wrangler 4WD (RHD)		ERH, ER0 = 4.0L Power Tech	DDQ = 5 Spd. Manual
P = Sahara				DDD = 5 Speed HD Manual
				DG0 = Auto. Trans.
				DBB = Manual Trans.

AR = Use as required - = Non illustrated part # = New this model year

September 16, 2005

## Rear Drum Brakes Figure 005-210



ITEM	PART NUMBER	QTY	LINE	SERIES	BODY	ENGINE	TRANS	TRIM	DESCRIPTION
Note: Sales Codes;									
BGA=Brakes,- Power Front Disc/Rear Drums									
BGK=Brakes - 4-Wheel Antilock									
1	6028 921	2	J						BOLT, Hex Head
2	2260 548	2	J						PIN, Brake Shoe Hold Down
3	4238 721	1	J						PLUG, Brake Adjusting Hole
4	5017 760AA	1	J						PLATE, Brake Backing
	5017 761AA	1	J						[BGA], Right
	4856 718AB	1	J						[BGA], Left
	4856 719AB	1	J						[BGK], Right
	5017 760AA	1	J						[BGK], Left
5	5017 760AA	1	U						Right
	5017 761AA	1	U						Left
	5019 536AA	1	J						SHOE AND LINING KIT, drum
6	5200 5350	2	J						DRUM, Brake
		2	U						
7	5200 7804	1	J						BRACKET, Brake Sensor
	5200 7805	1	J						Right
									Left
8	5602 7728	1	J						SENSOR, Anti-Lock Brakes
	5602 7729	1	J						Right
									Left
9	8350 4920	2	J						BOLT
10	4049 681	1	J						HARDWARE PACKAGE, Rear Brake
		1	U						
11	52008 664AC	1	J						BRAKE ASSEMBLY, Rear Drum
	52008 665AC	1	J						[BGA] Complete Less Drum, Right
	52008 666AC	1	J						[BGA] Complete Less Drum, Left
	52008 667AC	1	J						[BGK] Complete Less Drum, Right
	52008 664AC	1	J						[BGK] Complete Less Drum, Left
	52008 664AC	1	U						[BGA] Complete Less Drum, Right
	52008 665AC	1	U						[BGA] Complete Less Drum, Left
12									REPAIR KIT, Wheel Cylinder

### JEEP WRANGLER (TJ)

SERIES  
H = Sport  
L = SE  
P = Sahara

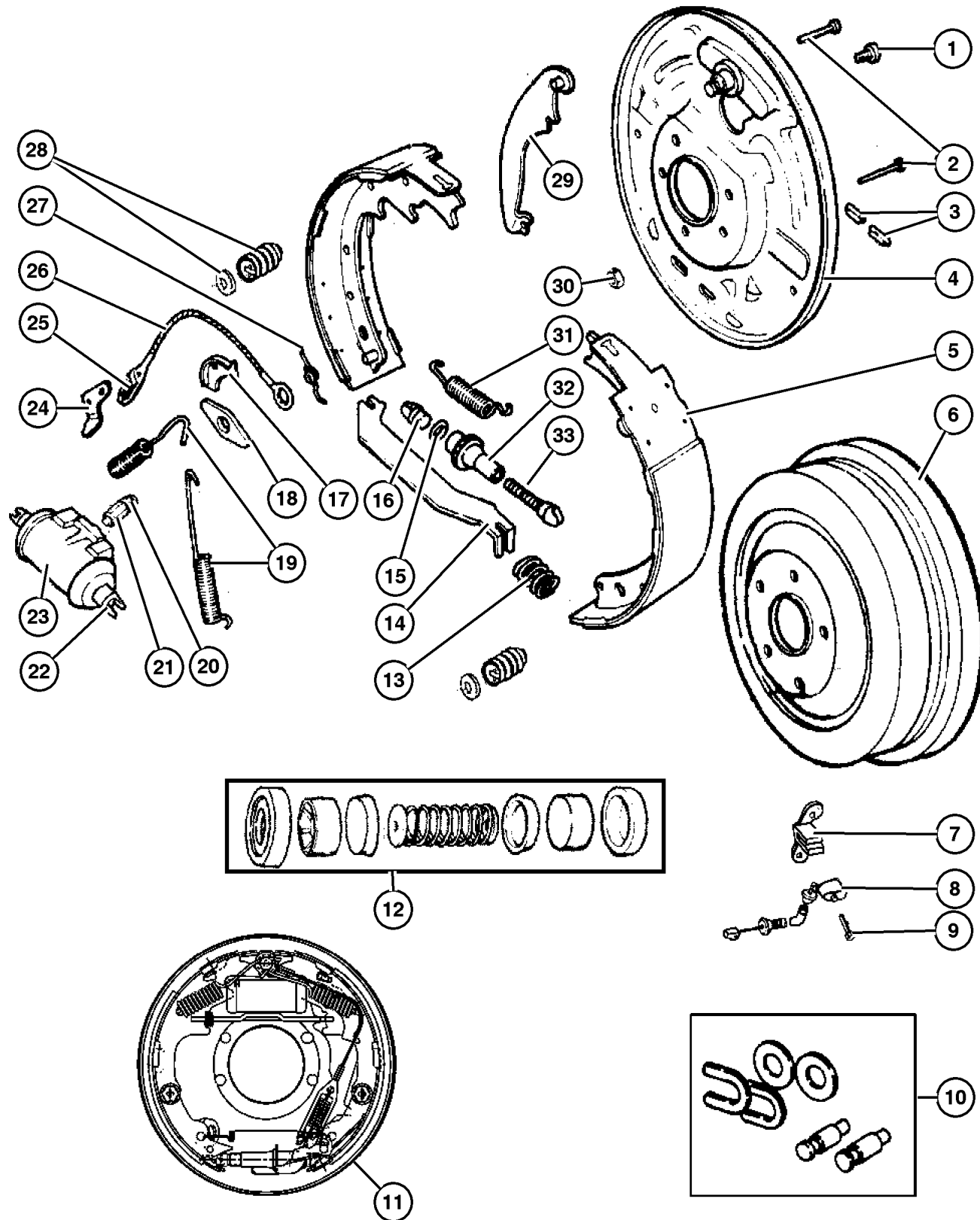
LINE  
J = Wrangler 4WD  
U = Wrangler 4WD (RHD)

BODY  
77 = 93.4 WB

ENGINE  
EPE, EP0 = 2.5L Power Tech  
ERH, ER0 = 4.0L Power Tech

TRANSMISSION  
DGG, DGD = 32RH 3 Spd. Auto.  
DDQ = 5 Spd. Manual  
DDD = 5 Speed HD Manual  
DG0 = Auto. Trans.  
DBB = Manual Trans.

## Rear Drum Brakes Figure 005-210



ITEM	PART NUMBER	QTY	LINE	SERIES	BODY	ENGINE	TRANS	TRIM	DESCRIPTION
	5252 631	1	J						
13		1	U						SPRING, Parking Brake Strut, Part of Brake Shoe, (NOT SERVICED) (Not Serviced)
14	4713 590	1	J						STRUT, Parking Brake
15		1	U						WASHER, Adjuster Button
16	6027 559	1	J						BUTTON, Rear Brake Auto Adjust
17	2944 586	1	J						GUIDE, Brake Adjusting Cable
18		1	U						PLATE, Brake Shoe Guide
19	4313 075	1	J						SPRING, Brake Shoe Return
20	2881 676	2	J						CAP, Bleeder
21	4238 717	1	J						SCREW, Bleeder
22		1	U						LINK, Brake, Purchase Wheel Cylinder, (NOT SERVICED) (Not Serviced)
23	4313 056	1	J						CYLINDER, Wheel
24		1	U						LEVER, Park Brake Adjusting
25	4761 759	1	J						SPRING, Adjuster Cable
26	3461 660	1	J						CABLE, Brake Automatic Adjuster

### JEEP WRANGLER (TJ)

SERIES  
H = Sport  
L = SE  
P = Sahara

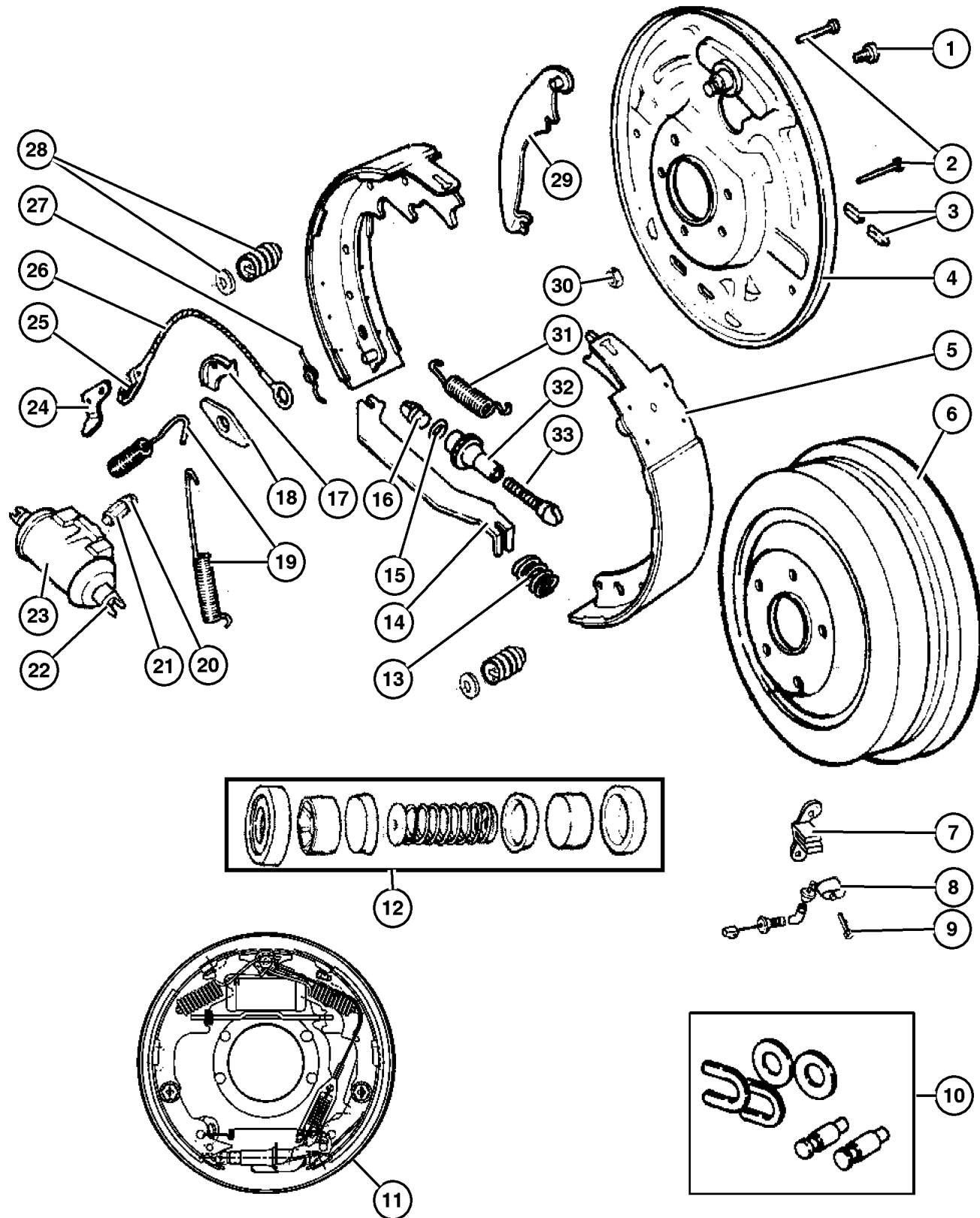
LINE  
J = Wrangler 4WD  
U = Wrangler 4WD (RHD)

BODY  
77 = 93.4 WB

ENGINE  
EPE, EP0 = 2.5L Power Tech  
ERH, ER0 = 4.0L Power Tech

TRANSMISSION  
DGG, DGD = 32RH 3 Spd. Auto.  
DDQ = 5 Spd. Manual  
DDD = 5 Speed HD Manual  
DG0 = Auto. Trans.  
DBB = Manual Trans.

## Rear Drum Brakes Figure 005-210



ITEM	PART NUMBER	QTY	LINE	SERIES	BODY	ENGINE	TRANS	TRIM	DESCRIPTION
	3461 662	1	J						Right
		1	U						Left
27	2944 580	1	J						SPRING, Brake Auto Adjuster Lever
	2944 581	1	J						Right
	2944 581	1	J						Left
	2944 580	1	U						Right
	2944 581	1	U						Left
28									SPRING, Brake Shoe Hold Down
	4313 062	2	J						
		1	U						
29									LEVER, Park Brake
	4313 810	1	J						Right
	4313 811	1	J						Left
	4313 810	1	U						Right
	4313 811	1	U						Left
30									NUT, Hex Flange Lock
	J941 1783	8	J						Backing Plate to Axle Housing, Mounting
		8	U						Backing Plate to Axle Housing, Mounting
31									SPRING, Brake Shoe to Shoe
	4423 085	1	J						
		1	U						
32									NUT, Rear Brake Auto Adjust Pivot
	2944 692	1	J						Right
	2944 693	1	J						Left
	2944 692	1	U						Right
	2944 693	1	U						Left
33									SCREW, Brake Adjusting
	4423 898	1	J						Right
	4423 899	1	J						Left
	4423 898	1	U						Right
	4423 899	1	U						Left

**JEEP WRANGLER (TJ)**

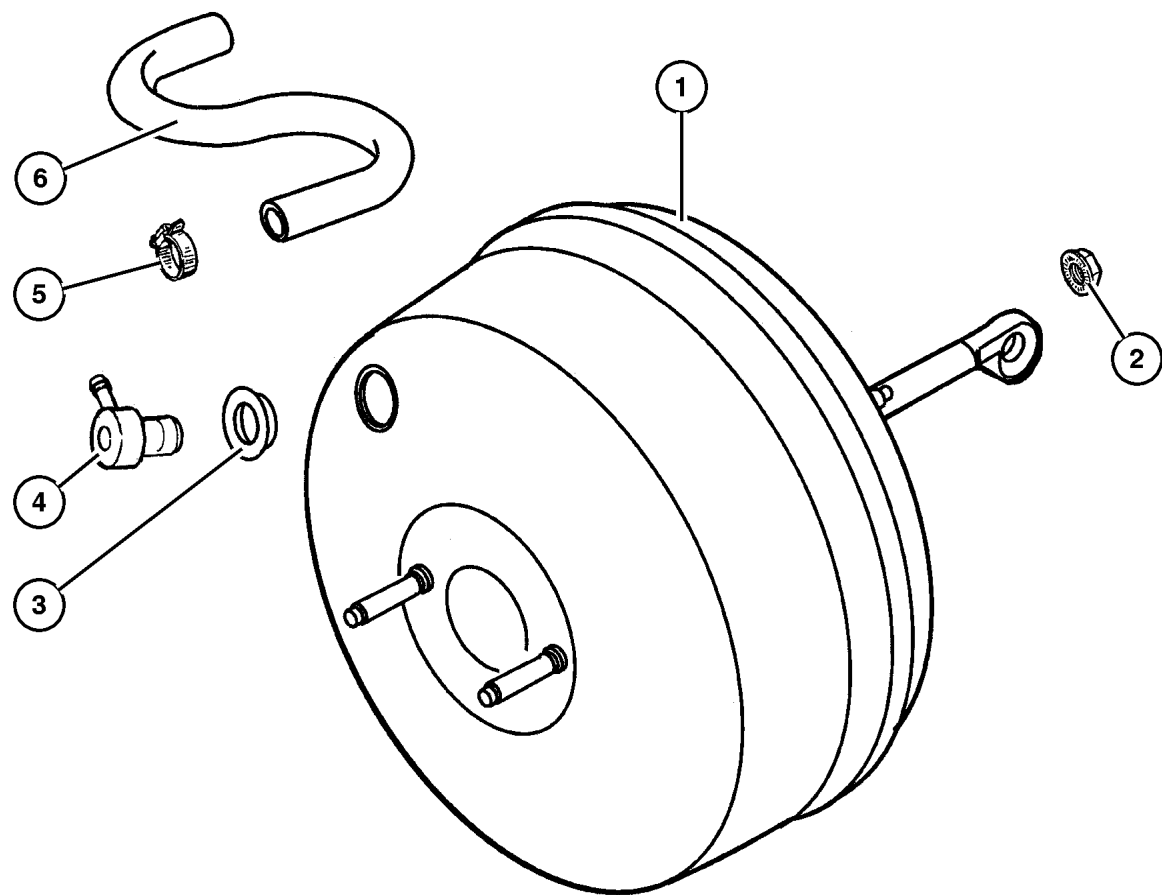
SERIES	LINE	BODY	ENGINE	TRANSMISSION
H = Sport	J = Wrangler 4WD	77 = 93.4 WB	EPE, EP0 = 2.5L Power Tech	DGG, DGD = 32RH 3 Spd. Auto.
L = SE	U = Wrangler 4WD (RHD)		ERH, ER0 = 4.0L Power Tech	DDQ = 5 Spd. Manual
P = Sahara				DDD = 5 Speed HD Manual
				DG0 = Auto. Trans.
				DBB = Manual Trans.

AR = Use as required - = Non illustrated part # = New this model year

September 16, 2005

**Power Brake Booster  
Figure 005-310**

ITEM	PART NUMBER	QTY	LINE	SERIES	BODY	ENGINE	TRANS	TRIM	DESCRIPTION
Note: EP0=All 2.5L 4 Cylinder Gas Engine---ER0= All 4.0L 6 Cylinder Gas Engine---BGA=Power Front Disc/Rear Drum Brakes--- BGK=4 Wheel Anti-Lock									
1	4798 158AB	1							BOOSTER, Power Brake
2	J400 3909	4							NUT, Hex Flange With Serration, Booster to Dash, Mounting
3	4883 813AA	1							GROMMET, Brake Booster Check Valve
4	4584 098	1							VALVE, Brake Booster Check
5	2448 770	2							CLAMP, Hose
6	5212 8229	1	J						HOSE, Brake Vacuum [EP0]
	3879 277	1	J						[ER0]

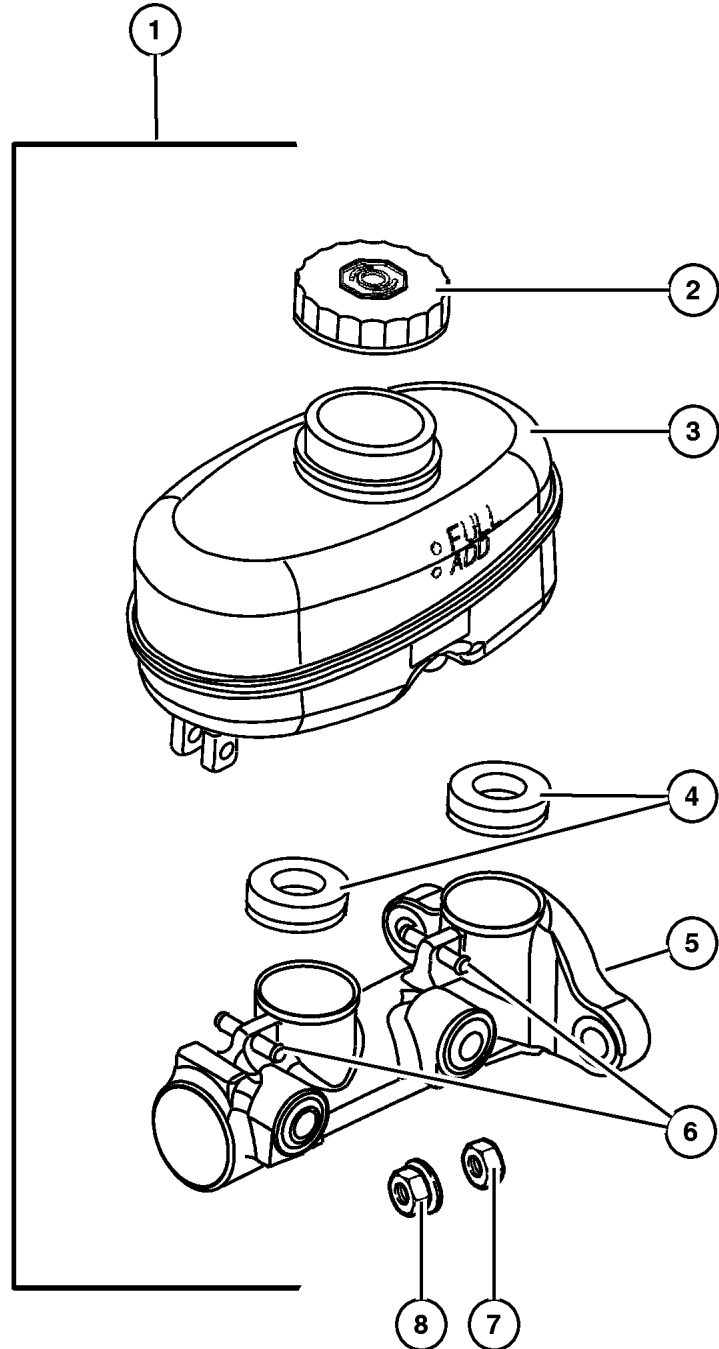


<b>JEEP WRANGLER (TJ)</b>				
SERIES	LINE	BODY	ENGINE	TRANSMISSION
H = Sport	J = Wrangler 4WD	77 = 93.4 WB	EPE, EP0 = 2.5L Power Tech	DGG, DGD = 32RH 3 Spd. Auto.
L = SE	U = Wrangler 4WD (RHD)		ERH, ER0 = 4.0L Power Tech	DDQ = 5 Spd. Manual
P = Sahara				DDD = 5 Speed HD Manual
				DG0 = Auto. Trans.
				DBB = Manual Trans.

AR = Use as required - = Non illustrated part # = New this model year

September 16, 2005

**Master Cylinder  
Figure 005-410**



ITEM	PART NUMBER	QTY	LINE	SERIES	BODY	ENGINE	TRANS	TRIM	DESCRIPTION
1	4798 157	1							MASTER CYLINDER, Brake
2	4683 656	1							CAP, Master Cylinder Reservoir
3	4761 943	1							RESERVOIR, Brake Master Cylinder, Includes items 4,5,6
4	4723 389	2							GROMMET, Master Cylinder Reservoir, Mounting
5	4723 395	1							SEAL, Master Cylinder To Booster, Mounting
6	4723 394	1							PIN, Master Cylinder Reservoir, Mounting
7	5017 194AA	2							NUT, Master Cylinder to Brake Booster Stud, Mounting
8	3420 1711	2							NUT, Hex Flange, M8x1.25, Combination Valve Bracket to Master Cylinder Stud, Mounting

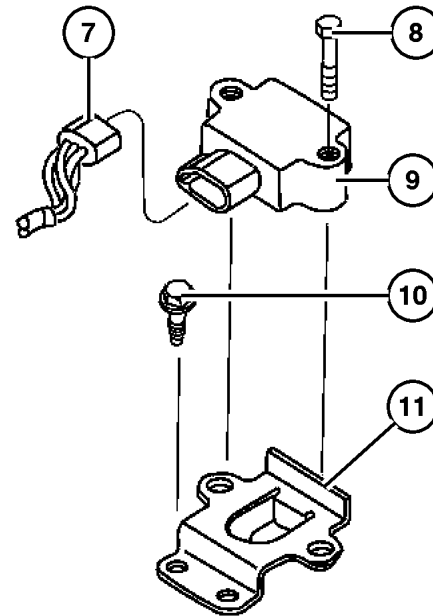
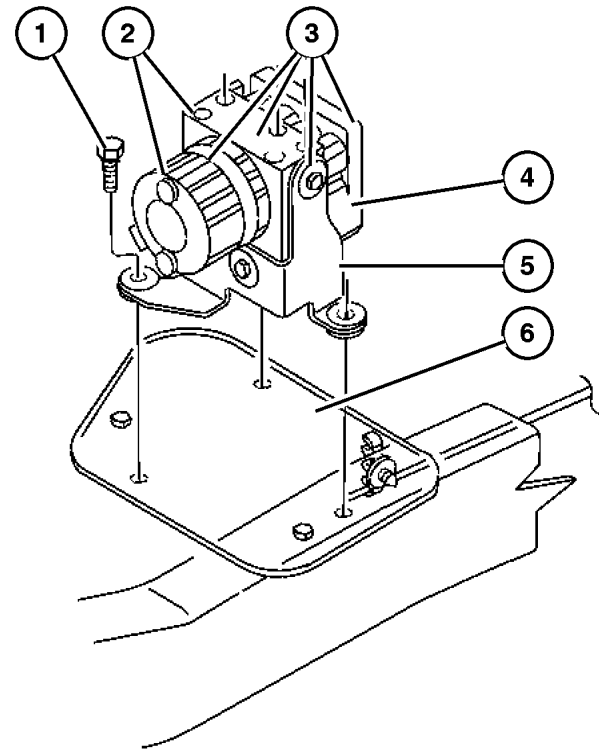
JEEP WRANGLER (TJ)			
SERIES	LINE	BODY	ENGINE
H = Sport	J = Wrangler 4WD	77 = 93.4 WB	EPE, EP0 = 2.5L Power Tech
L = SE	U = Wrangler 4WD (RHD)		ERH, ER0 = 4.0L Power Tech
P = Sahara			

TRANSMISSION
DGG, DGD = 32RH 3 Spd. Auto.
DDQ = 5 Spd. Manual
DDD = 5 Speed HD Manual
DG0 = Auto. Trans.
DBB = Manual Trans.

AR = Use as required - = Non illustrated part # = New this model year

September 16, 2005

## Hydraulic Control Unit Figure 005-510



ITEM	PART NUMBER	QTY	LINE	SERIES	BODY	ENGINE	TRANS	TRIM	DESCRIPTION
1	3420 1888	3							SCREW, Hex Head, HCU to Bracket, Mounting
2	5073 778AA	1							HYDRAULIC CONTROL UNIT
3	52128 487AA	1							CONTROL UNIT, Anti-Lock Brake
4	5073 793AA	1							MODULE, Anti-lock Brakes
5	5066 564AA	1							BRACKET, Brake Control Unit
6									BRACKET, abs control unit
	55176 141AB	1	J						Mounting
	5517 6142	1	U						Mounting
7									WIRING, Engine Compartment, See Group 8, (NOT SERVICED) (Not Serviced)
8	6035 991AA	2							SCREW, Hex Flange Head, ABS Acceleration Switch, Mounting
9	56006 315AB	1							SWITCH, ABS Acceleration
10									SCREW, Hex Flange Head Tapping, .190-16x.750, (NOT SERVICED) (Not Serviced)
11									BRACKET, Anti-Lock Brake Switch, Serviced in Floor pan Assy, (NOT SERVICED) (Not Serviced)

### JEEP WRANGLER (TJ)

SERIES  
H = Sport  
L = SE  
P = Sahara

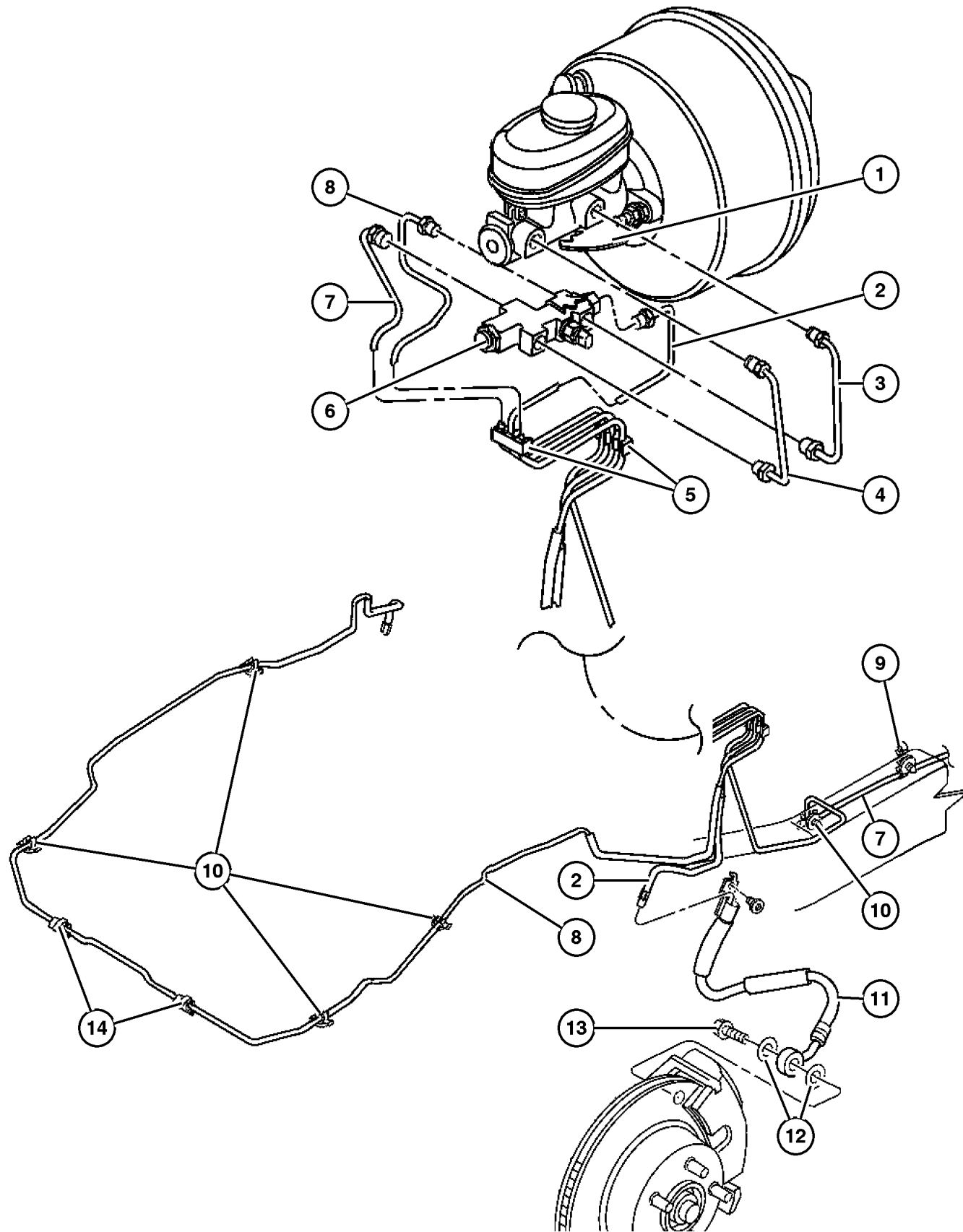
LINE  
J = Wrangler 4WD  
U = Wrangler 4WD (RHD)

BODY  
77 = 93.4 WB

ENGINE  
EPE, EP0 = 2.5L Power Tech  
ERH, ER0 = 4.0L Power Tech

TRANSMISSION  
DGG, DGD = 32RH 3 Spd. Auto.  
DDQ = 5 Spd. Manual  
DDD = 5 Speed HD Manual  
DG0 = Auto. Trans.  
DBB = Manual Trans.

**Brake Lines and Hoses,Front,LHD Without ABS**  
**Figure 005-520**



ITEM	PART NUMBER	QTY	LINE	SERIES	BODY	ENGINE	TRANS	TRIM	DESCRIPTION
1	5212 7970	1							BRACKET, Brake Valve,
2	5200 8443	1	J						Proportioning Valve, Mounting
3	5200 8399	1							TUBE, Brake, Proportioning Valve to Brake Hose, Left
4	5200 8398	1							TUBE, Brake, Master Cylinder to Proportioning Valve, Secondary
5	52128 245AB	2							TUBE, Brake, Master Cylinder to Proportioning Valve, Primary
6	5200 9115	1							CLIP, Brake Tube, Mounting
7	5200 8385	1	J						VALVE, Proportioning
8	52008 442AC	1	J						TUBE, Brake, Proportioning Valve to Brake Hose, Rear
9	3420 2371	2							TUBE, Brake, Proportioning Valve to Brake Hose, Right
10	3420 2688	5	J						CLIP, Quad Tubes, Mounting
		1	U						CLIP, Latch&Line Mounting
11	52008 674AC	1							HOSE, Brake Right
	52008 675AC	1							HOSE, Brake Left
12	J323 7672	4							GASKET, Brake Hose To Caliper, Mounting
13	J400 6700	2							BOLT, Banjo, Brake Hose to Caliper, Mounting
14	5212 8175	2							CLIP, Brake Attaching Tube, 3 Way, Mounting

**JEEP WRANGLER (TJ)**

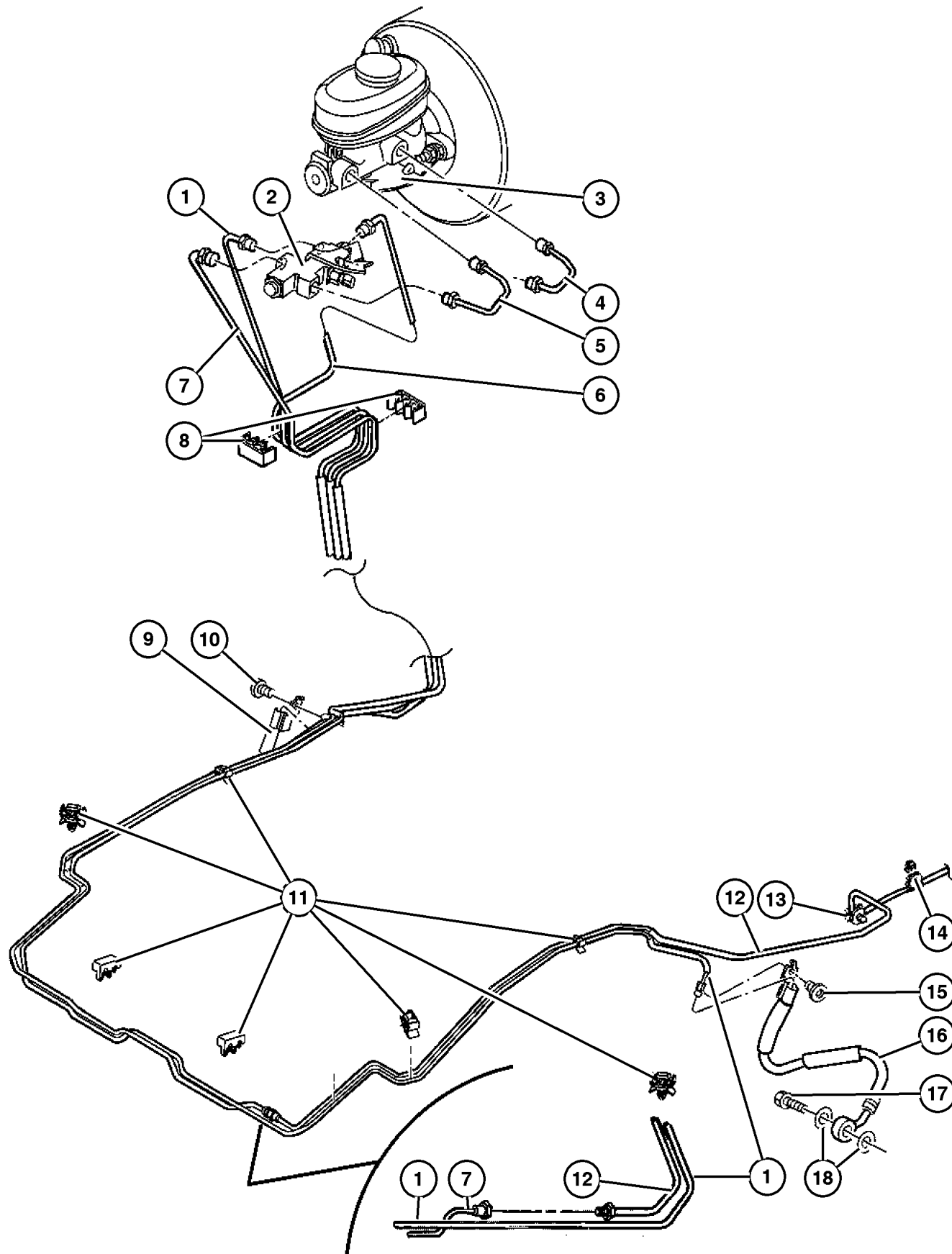
SERIES	LINE	BODY	ENGINE	TRANSMISSION
H = Sport	J = Wrangler 4WD	77 = 93.4 WB	EPE, EP0 = 2.5L Power Tech	DGG, DGD = 32RH 3 Spd. Auto.
L = SE	U = Wrangler 4WD (RHD)		ERH, ER0 = 4.0L Power Tech	DDQ = 5 Spd. Manual
P = Sahara				DDD = 5 Speed HD Manual
				DG0 = Auto. Trans.
				DBB = Manual Trans.

AR = Use as required - = Non illustrated part # = New this model year

September 16, 2005



**Brake Lines and Hoses,Front,RHD,Without ABS**  
**Figure 005-530**



ITEM	PART NUMBER	QTY	LINE	SERIES	BODY	ENGINE	TRANS	TRIM	DESCRIPTION
1	52009 095AD	1	U						TUBE, Brake, Proportioning Valve to Brake Hose, Left
2	5200 9115	1							VALVE, Proportioning
3	5212 7970	1							BRACKET, Brake Valve, Proportioning Valve, Mounting
4	5200 8399	1							TUBE, Brake, Master Cylinder to Proportioning Valve, Secondary
5	5200 8398	1							TUBE, Brake, Master Cylinder to Proportioning Valve, Primary
6	52009 094AB	1	U						TUBE, Brake, Proportioning Valve to Brake Hose, Right
7	52008 930AC	1	U						TUBE, Brake, Proportioning Valve to Tube Coupling
8	52128 245AB	2							CLIP, Brake Tube, Mounting
9	52008 674AC	1							HOSE, Brake, Right
10	3420 1670	2							SCREW, Pan Head, M8-1.25x13, Hose to Frame, Mounting
11	5212 8175	2							CLIP, Brake Attaching Tube, 3 Way To Front Crossmember, Mounting To Frame, Mounting
12	52008 982AC	1	U						TUBE, Brake, Tube Coupling to Brake Hose, Rear
13	3420 2688	1	U						CLIP, Latch&Line, 1 Way, Mounting
14	3420 2371	2							CLIP, Quad Tubes
15	3420 1670	2							SCREW, Pan Head, M8-1.25x13, Hose to Frame, Mounting
16	52008 675AC	1							HOSE, Brake, Left
17	J400 6700	2							BOLT, Banjo, Brake Hose to Caliper, Mounting
18	J323 7672	4							GASKET, Brake Hose To Caliper, Mounting

**JEEP WRANGLER (TJ)**

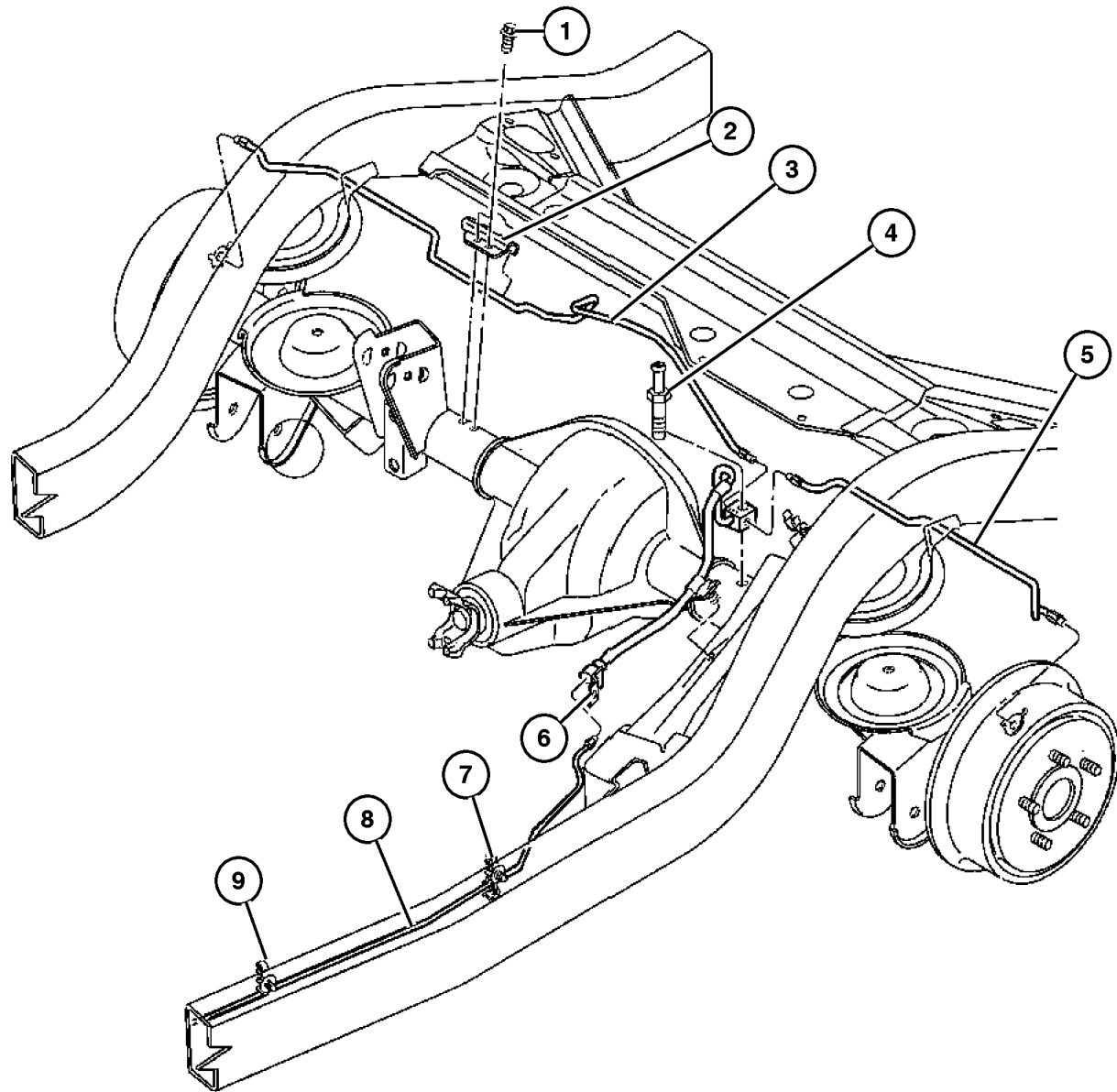
SERIES	LINE	BODY	ENGINE	TRANSMISSION
H = Sport	J = Wrangler 4WD	77 = 93.4 WB	EPE, EP0 = 2.5L Power Tech	DGG, DGD = 32RH 3 Spd. Auto.
L = SE	U = Wrangler 4WD (RHD)		ERH, ER0 = 4.0L Power Tech	DDQ = 5 Spd. Manual
P = Sahara				DDD = 5 Speed HD Manual
				DG0 = Auto. Trans.
				DBB = Manual Trans.

AR = Use as required - = Non illustrated part # = New this model year

September 16, 2005

**Brake Lines and Hoses,Rear,LHD,RHD Without ABS**  
**Figure 005-540**

ITEM	PART NUMBER	QTY	LINE	SERIES	BODY	ENGINE	TRANS	TRIM	DESCRIPTION
Note:Sales Codes;									
[DRJ]=Dana M35/194MM Rear Axle									
[DRK]=Dana 44/226MM Rear Axle									
1	3420 1912	2							SCREW, Self Tapping, M6x1x14, Brake Tube Shield to Axle Tube, Mounting
2	5212 8189	1							SHIELD, Brake Line, Rear Axle
3	5200 8402	1							TUBE, Brake [DRJ], Right
	5200 9092	1							[DRK], Right
4	4137 696	1							SCREW, Brake Tee, .437-20x2.07, Axle Vent and Brake Tee, Mounting
5	5200 8403	1							TUBE, Brake [DRJ], Left
	5200 9093	1							[DRK], Left
6	5200 8391	1							HOSE, Brake, Rear
7	3420 2371	2							CLIP, Quad Tubes, As Required, Mounting
8	5200 8385	1	J						TUBE, Brake Proportioning Valve to Brake Hose, Rear
	52008 982AC	1	U						Tube Coupling to Brake Hose, Rear
9	5200 7995	3							CLIP, Five Way Fastener, As Required, Mounting



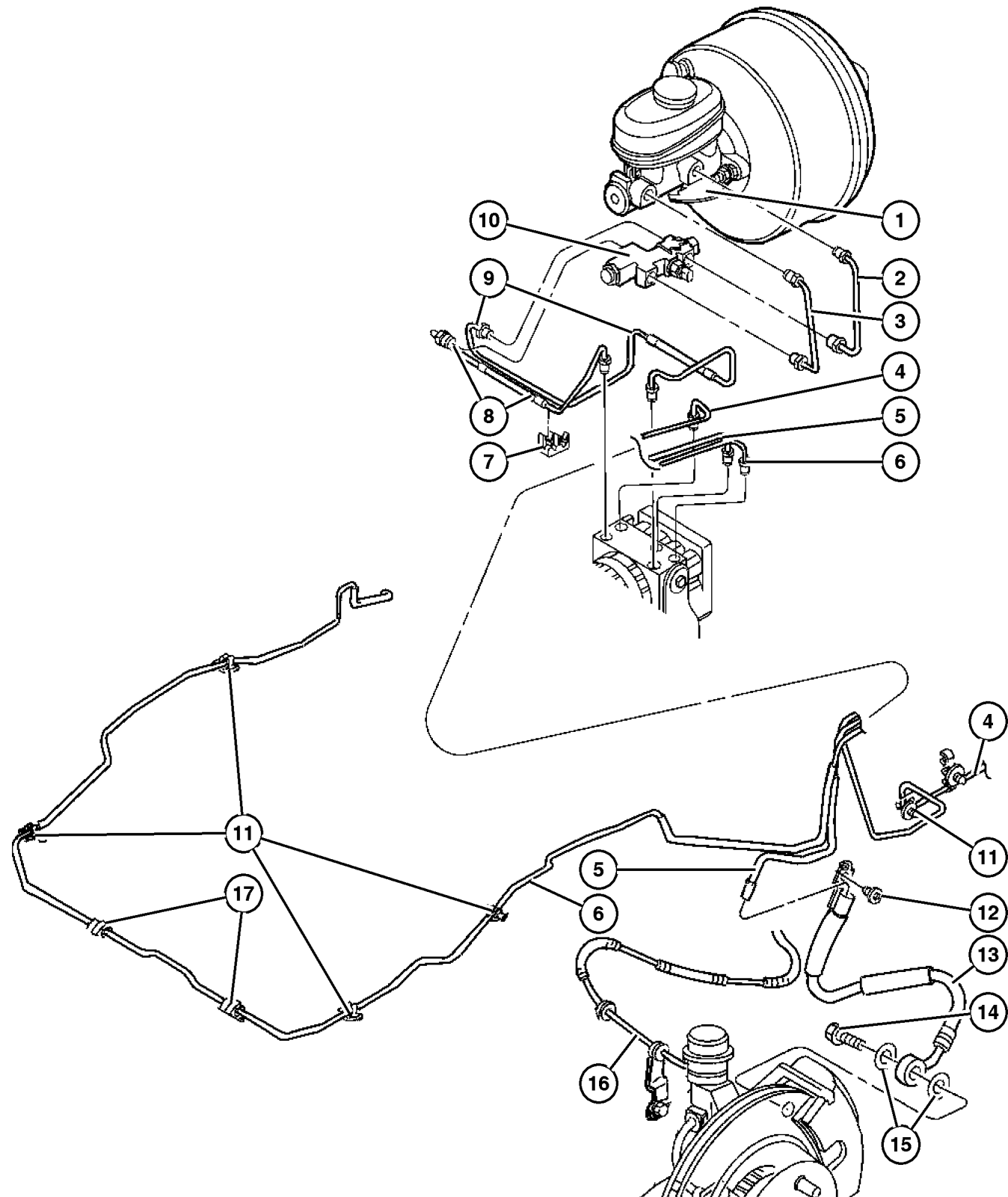
**JEEP WRANGLER (TJ)**

<b>SERIES</b>	<b>LINE</b>	<b>BODY</b>	<b>ENGINE</b>	<b>TRANSMISSION</b>
H = Sport	J = Wrangler 4WD	77 = 93.4 WB	EPE, EP0 = 2.5L Power Tech	DGG, DGD = 32RH 3 Spd. Auto.
L = SE	U = Wrangler 4WD (RHD)		ERH, ER0 = 4.0L Power Tech	DDQ = 5 Spd. Manual
P = Sahara				DDD = 5 Speed HD Manual
				DG0 = Auto. Trans.
				DBB = Manual Trans.

AR = Use as required - = Non illustrated part # = New this model year

September 16, 2005

**Brake Lines and Hoses,Front,LHD,With ABS**  
**Figure 005-550**



ITEM	PART NUMBER	QTY	LINE	SERIES	BODY	ENGINE	TRANS	TRIM	DESCRIPTION
1	5212 7970	1							BRACKET, Brake Valve,
2	5200 8399	1							Proportioning Valve, Mounting
3	5200 8398	1							TUBE, Brake, Master Cylinder to Proportioning Valve, Secondary
4	52128 482AA	1	J						TUBE, Brake, Master Cylinder to Proportioning Valve, Primary
5	52128 484AA	1	J						TUBE, Brake, HCU to Brake Hose, Rear
6	52128 483AA	1	J						TUBE, Brake, HCU to Front Brake Hose, Left
7	5200 8940	1							TUBE, Brake, HCU to Front Brake Hose, Right
8	52128 486AA	1	J						CLIP, Brake Line
9	52128 485AA	1	J						HOSE, Brake, Proportioning Valve to HCU, Primary
10	5200 8549	1							HOSE, Brake, Proportioning Valve to HCU, Secondary
11	3420 2688	5	J						VALVE, Proportioning
12	3420 1670	2							CLIP, Latch&Line, Brake Line to Frame, Mounting
13	52008 674AC	1							SCREW, Pan Head, M8-1.25x13, Front brake Hose to Frame, Mounting
	52008 675AC	1							HOSE, Brake Right
14	J400 6700	2							HOSE, Brake Left
15	J323 7672	4							BOLT, Banjo, To Caliper, Mounting
16	5602 7727	2	J						GASKET, Brake Hose To Caliper, Mounting
17	5212 8175	2							SENSOR, Anti-Lock Brakes, Right or Left
-18	4641 780	2							CLIP, Brake Attaching Tube, 3 Way, Double Tube Brake line, Mounting
									STRAP, Tie, Speed Sensor to Convolute Tubing, Right or Left

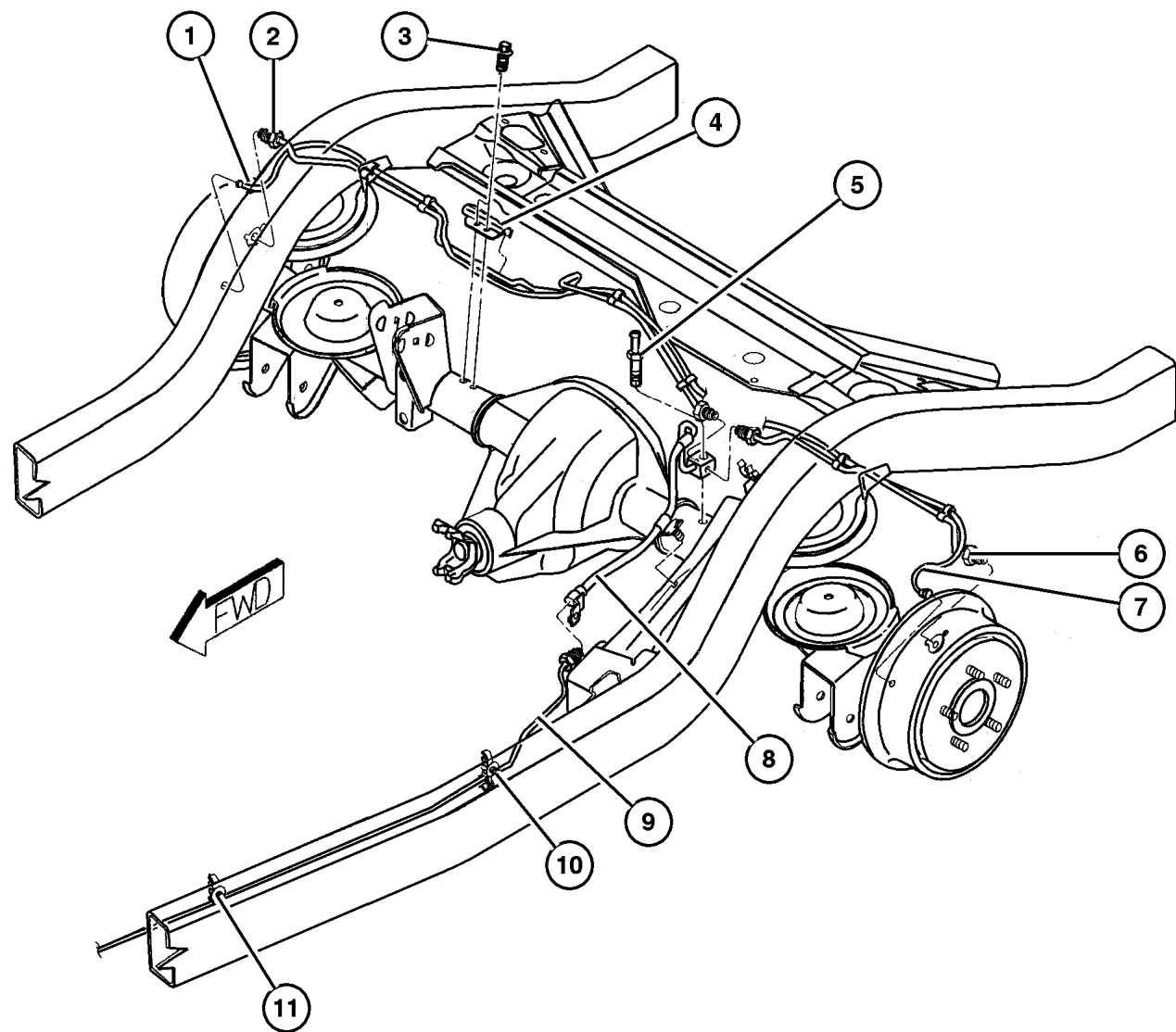
**JEEP WRANGLER (TJ)**

SERIES	LINE	BODY	ENGINE	TRANSMISSION
H = Sport	J = Wrangler 4WD	77 = 93.4 WB	EPE, EP0 = 2.5L Power Tech	DGG, DGD = 32RH 3 Spd. Auto.
L = SE	U = Wrangler 4WD (RHD)		ERH, ER0 = 4.0L Power Tech	DDQ = 5 Spd. Manual
P = Sahara				DDD = 5 Speed HD Manual
				DG0 = Auto. Trans.
				DBB = Manual Trans.

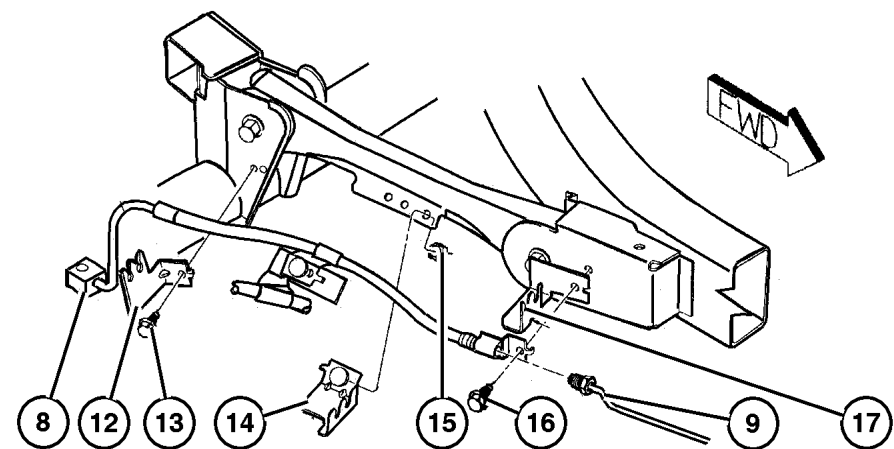
AR = Use as required - = Non illustrated part # = New this model year

September 16, 2005

**Brake Lines and Hoses,Rear,LHD,With ABS**  
**Figure 005-560**



ITEM	PART NUMBER	QTY	LINE	SERIES	BODY	ENGINE	TRANS	TRIM	DESCRIPTION
1	5602 7728	1	J						SENSOR, Anti-Lock Brakes, Right
2	5200 8402	1							TUBE, Brake, Right
3	3420 1912	2							SCREW, Self Tapping, M6x1x14, Brake Line Shield, Mounting
4	5212 8189	1							SHIELD, Brake Line
5	4137 696	1							SCREW, Brake Tee, .437-20x2.07
6	5200 8403	1							TUBE, Brake, Left
7	5602 7729	1	J						SENSOR, Anti-Lock Brakes, Left
8	5200 8391	1							HOSE, Brake, Rear
9	52128 482AA	1	J						TUBE, Brake, HCU to Brake Hose, Rear
10	3420 2371	2							CLIP, Quad Tubes, Mounting
11	5200 7995	3							CLIP, Five Way Fastener, Mounting
12	5602 6757	1							BRACKET, Anti-Lock Brake Sensor, Mounting
13	3420 1912	4							SCREW, Self Tapping, M6x1x14, ABS Sensor Bracket, Mounting
14	5200 8920	1							BRACKET, ABS Sensor, Left
15	6101 695	1							NUT, Hex Flange Lock, Sensor Bracket to Control Arm, Mounting
16	6502 711	1							BOLT
17	5200 8919	1							BRACKET, ABS Sensor, Frame Rail Sensor Wire, Mounting

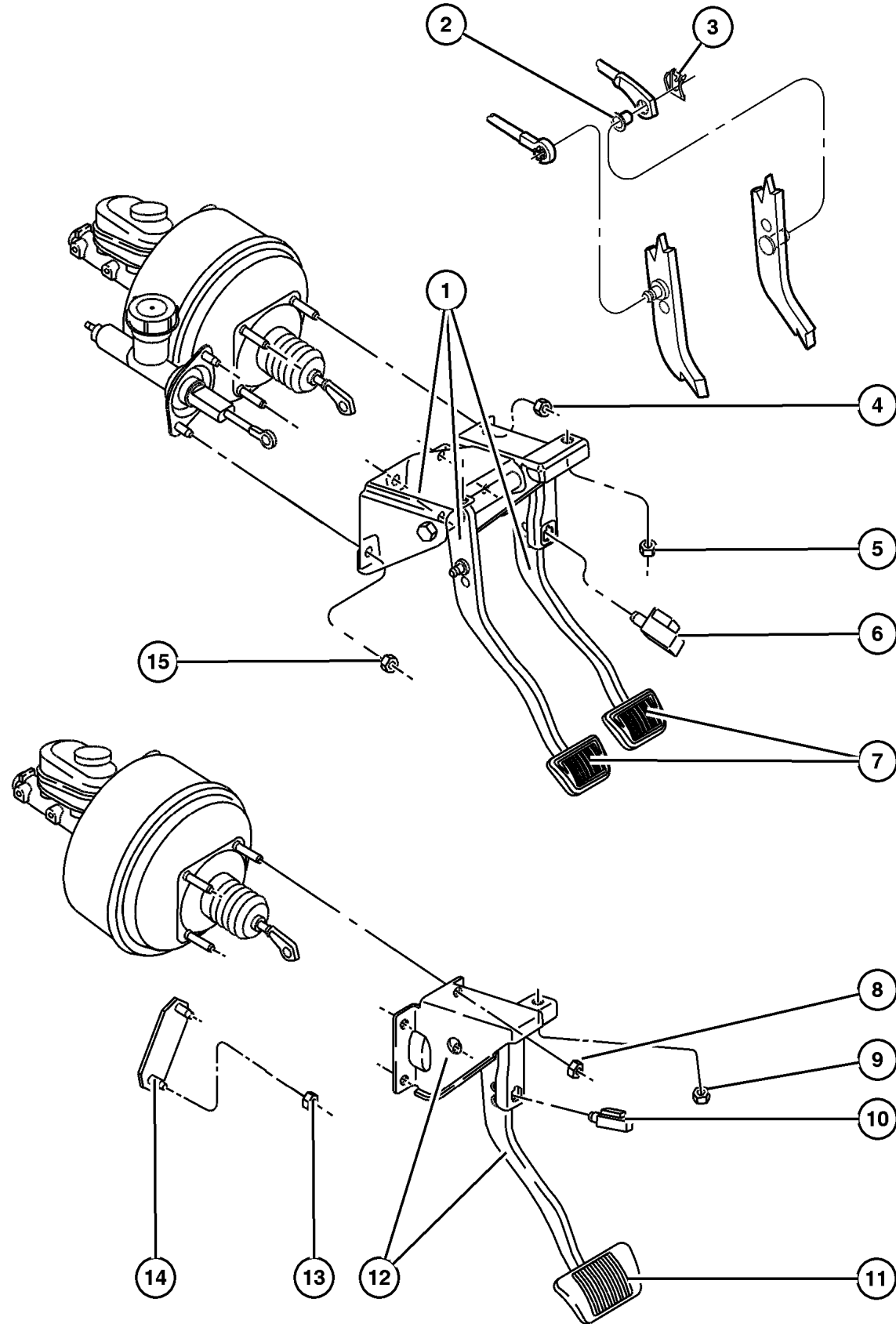


<b>JEEP WRANGLER (TJ)</b>				
SERIES	LINE	BODY	ENGINE	TRANSMISSION
H = Sport	J = Wrangler 4WD	77 = 93.4 WB	EPE, EP0 = 2.5L Power Tech	DGG, DGD = 32RH 3 Spd. Auto.
L = SE	U = Wrangler 4WD (RHD)		ERH, ER0 = 4.0L Power Tech	DDQ = 5 Spd. Manual
P = Sahara				DDD = 5 Speed HD Manual
				DG0 = Auto. Trans.
				DBB = Manual Trans.

AR = Use as required - = Non illustrated part # = New this model year

September 16, 2005

**Brake Pedal,LHD**  
**Figure 005-610**



ITEM	PART NUMBER	QTY	LINE	SERIES	BODY	ENGINE	TRANS	TRIM	DESCRIPTION
Note: DBB= All Manual Transmissions---DG0=All Automatic Transmissions									
1	52128 017AB	1	J						PEDAL, Brake And Clutch, [DBB]
2	4446 361	1							BUSHING, Hydraulic Clutch Actuator
3	6035 334	1							CLIP, Brake Push Rod
4	J400 3909	4							NUT, Hex Flange With Serration, Booster to Dash Mounting
5	J400 3909	2							NUT, Hex Flange With Serration, Brake Pedal Support Bracket Mounting
6	4671 336	1							SWITCH, Stop Lamp
7	5200 2750	2	J						PAD, Pedal, [DBB]
8	J400 3909	4							NUT, Hex Flange With Serration, Booster to Dash Mounting
9	J400 3909	1							NUT, Hex Flange With Serration, Brake Pedal Support Bracket Mounting
10	4671 336	1							SWITCH, Stop Lamp
11	4779 027	1	J						PAD, Pedal, [DG0]
12	52129 008AE	1	J						PEDAL, Brake, [DG0]
13	J400 3909	2							NUT, Hex Flange With Serration, Clutch Master Cylinder Cover Mounting
14	5210 4013	1							COVER, Master Cylinder, [DG0]
15	J400 3909	2							NUT, Hex Flange With Serration, Clutch Master Cylinder Mounting

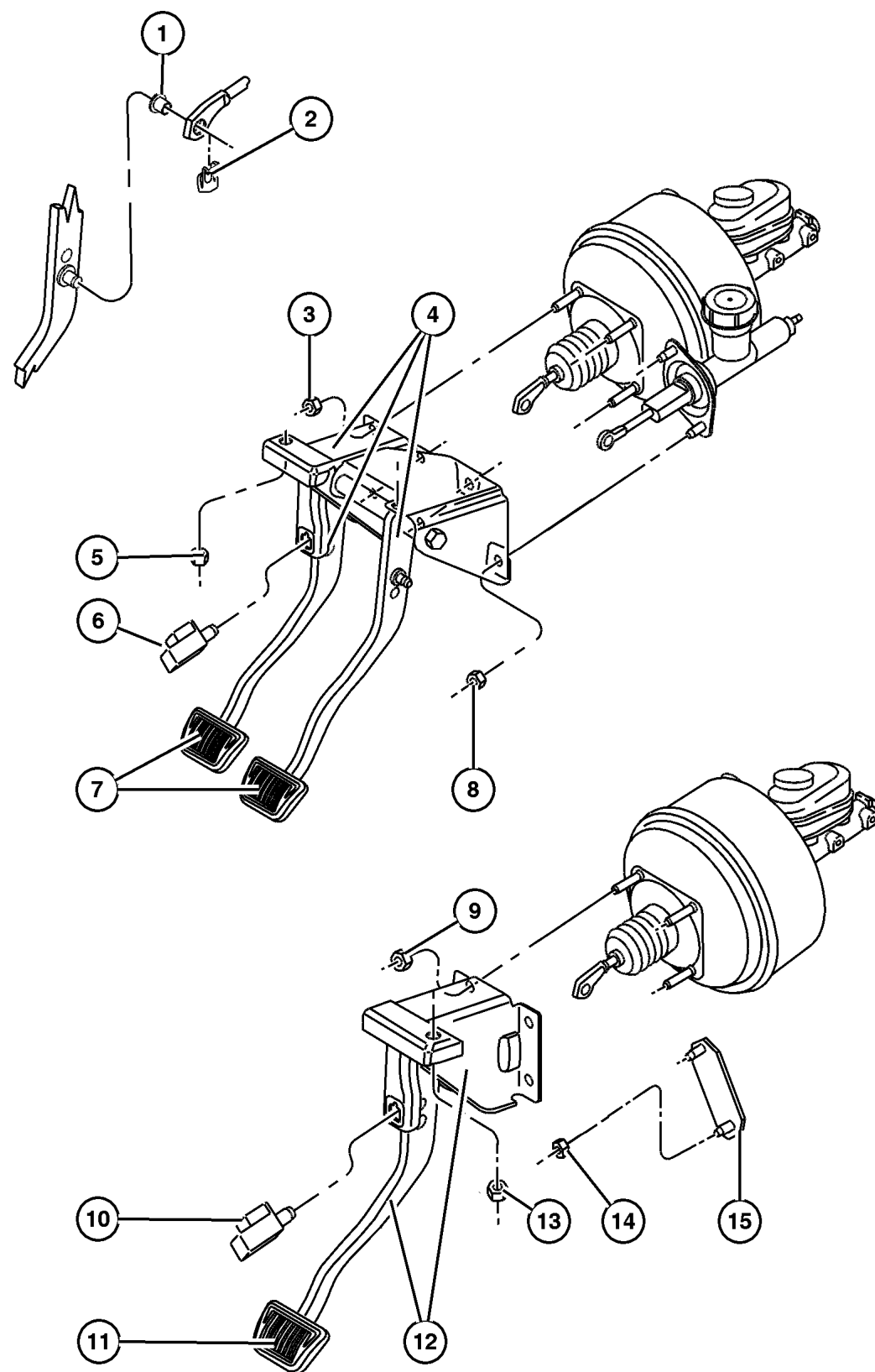
**JEEP WRANGLER (TJ)**

SERIES	LINE	BODY	ENGINE	TRANSMISSION
H = Sport	J = Wrangler 4WD	77 = 93.4 WB	EPE, EP0 = 2.5L Power Tech	DGG, DGD = 32RH 3 Spd. Auto.
L = SE	U = Wrangler 4WD (RHD)		ERH, ER0 = 4.0L Power Tech	DDQ = 5 Spd. Manual
P = Sahara				DDD = 5 Speed HD Manual
				DG0 = Auto. Trans.
				DBB = Manual Trans.

AR = Use as required - = Non illustrated part # = New this model year

September 16, 2005

**Brake Pedal,RHD**  
**Figure 005-620**



ITEM	PART NUMBER	QTY	LINE	SERIES	BODY	ENGINE	TRANS	TRIM	DESCRIPTION
1	4446 361	1							BUSHING, Hydraulic Clutch Actuator
2	6035 334	1							CLIP, Brake Push Rod
3	J400 3909	4							NUT, Hex Flange With Serration, Booster to Dash Mounting
4	52128 052AB	1	U						PEDAL, Brake And Clutch, [DBB]
5	J400 3909	2							NUT, Hex Flange With Serration, Brake Pedal Support Bracket Mounting
6	4671 336	1							SWITCH, Stop Lamp
7	5200 2750	2	U						PAD, Pedal, [DBB]
8	J400 3909	2							NUT, Hex Flange With Serration, Clutch Master Cylinder Mounting
9	J400 3909	4							NUT, Hex Flange With Serration, Booster to Dash Mounting
10	4671 336	1							SWITCH, Stop Lamp
11	4779 027	1	U						PAD, Pedal, [DG0]
12	52129 038AD	1	U						PEDAL, Brake, [DG0]
13	J400 3909	1							NUT, Hex Flange With Serration, Brake Pedal Support Bracket Mounting
14	J400 3909	2							NUT, Hex Flange With Serration, Clutch Master Cylinder Cover Mounting
15	5210 4013	1							COVER, Master Cylinder, [DG0]

**JEEP WRANGLER (TJ)**

SERIES	LINE	BODY	ENGINE	TRANSMISSION
H = Sport	J = Wrangler 4WD	77 = 93.4 WB	EPE, EP0 = 2.5L Power Tech	DGG, DGD = 32RH 3 Spd. Auto.
L = SE	U = Wrangler 4WD (RHD)		ERH, ER0 = 4.0L Power Tech	DDQ = 5 Spd. Manual
P = Sahara				DDD = 5 Speed HD Manual
				DG0 = Auto. Trans.
				DBB = Manual Trans.

AR = Use as required - = Non illustrated part # = New this model year

September 16, 2005

# Group – 006

## Clutch

### GROUP 6 - Clutch

Illustration Title

Group-Fig. No.

#### Clutch

Clutch ..... Fig. 006-110

#### Clutch Housing

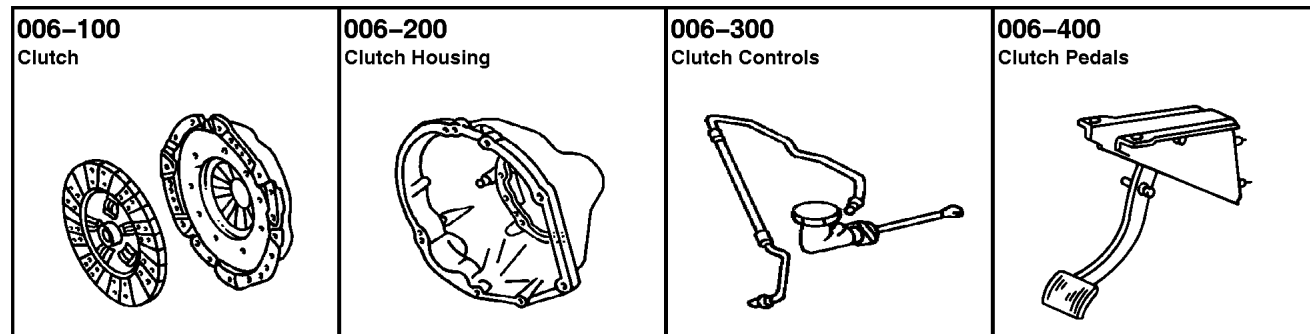
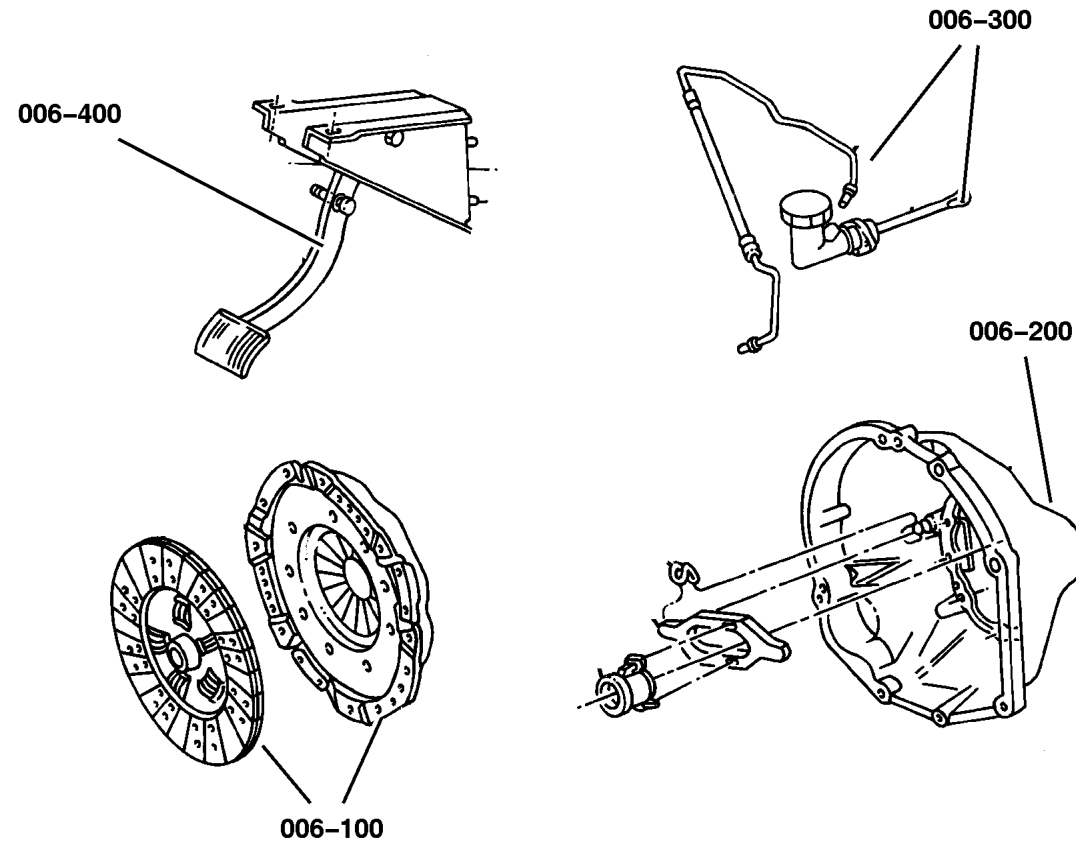
Housing and Pan, Clutch ..... Fig. 006-210

#### Clutch Controls

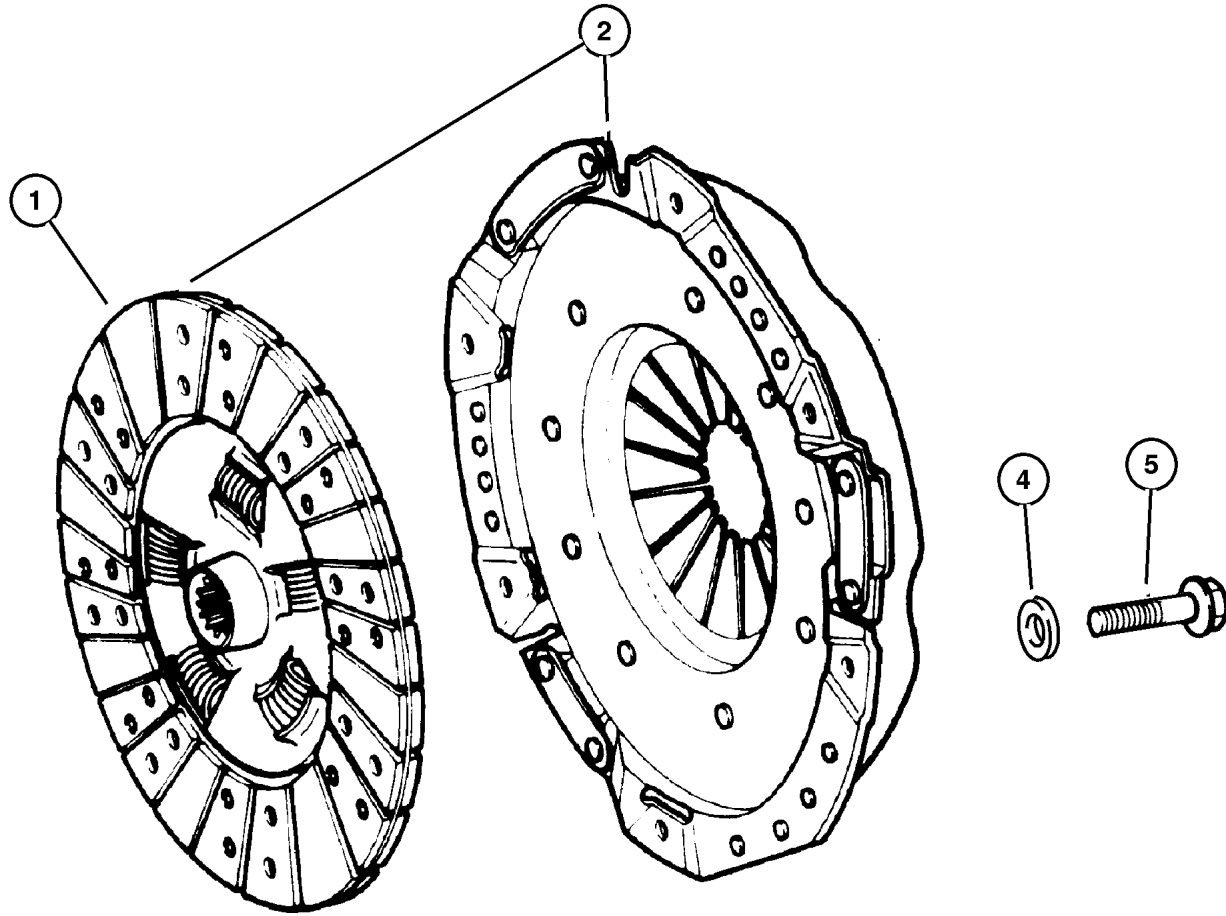
Control, Clutch ..... Fig. 006-310

#### Clutch Pedals

Pedal, Clutch ..... Fig. 006-410



**Clutch**  
**Figure 006-110**



ITEM	PART NUMBER	QTY	LINE	SERIES	BODY	ENGINE	TRANS	TRIM	DESCRIPTION
NOTE; Sales Codes									
[DBB] = All Manual Transmissions									
[DDD] = 5 Speed Heavy Duty Manual Transmission									
[DDQ] = 5 Speed Manual Transmission									
[EP0] = All 2.5L 4 Cylinder Gas Engines									
[ER0] = All 4.0L 6 Cylinder Gas Engines									
1	52104 363AA	1				ER0	DDD		DISC, Clutch
2	5210 7570	1				EP0	DDQ		CLUTCH KIT, Manual Transmission
-3	5015 606AA-	1				ER0	DDD		CLUTCH PACKAGE
4	1150 0221	6				EP0	DBB		WASHER, Flat
5	3420 1373	6				EP0	DBB		BOLT, Hex Head, M8x1.25x22
-6	6035 626	6				ER0	DBB		BOLT, Hex Head, .375-16x.84

JEEP WRANGLER (TJ)				TRANSMISSION
SERIES	LINE	BODY	ENGINE	
H = Sport	J = Wrangler 4WD	77 = 93.4 WB	EPE, EP0 = 2.5L Power Tech	DGG, DGD = 32RH 3 Spd. Auto.
L = SE	U = Wrangler 4WD (RHD)		ERH, ER0 = 4.0L Power Tech	DDQ = 5 Spd. Manual
P = Sahara				DDD = 5 Speed HD Manual
				DG0 = Auto. Trans.
				DBB = Manual Trans.

AR = Use as required - = Non illustrated part # = New this model year

September 16, 2005



## Housing and Pan, Clutch Figure 006-210

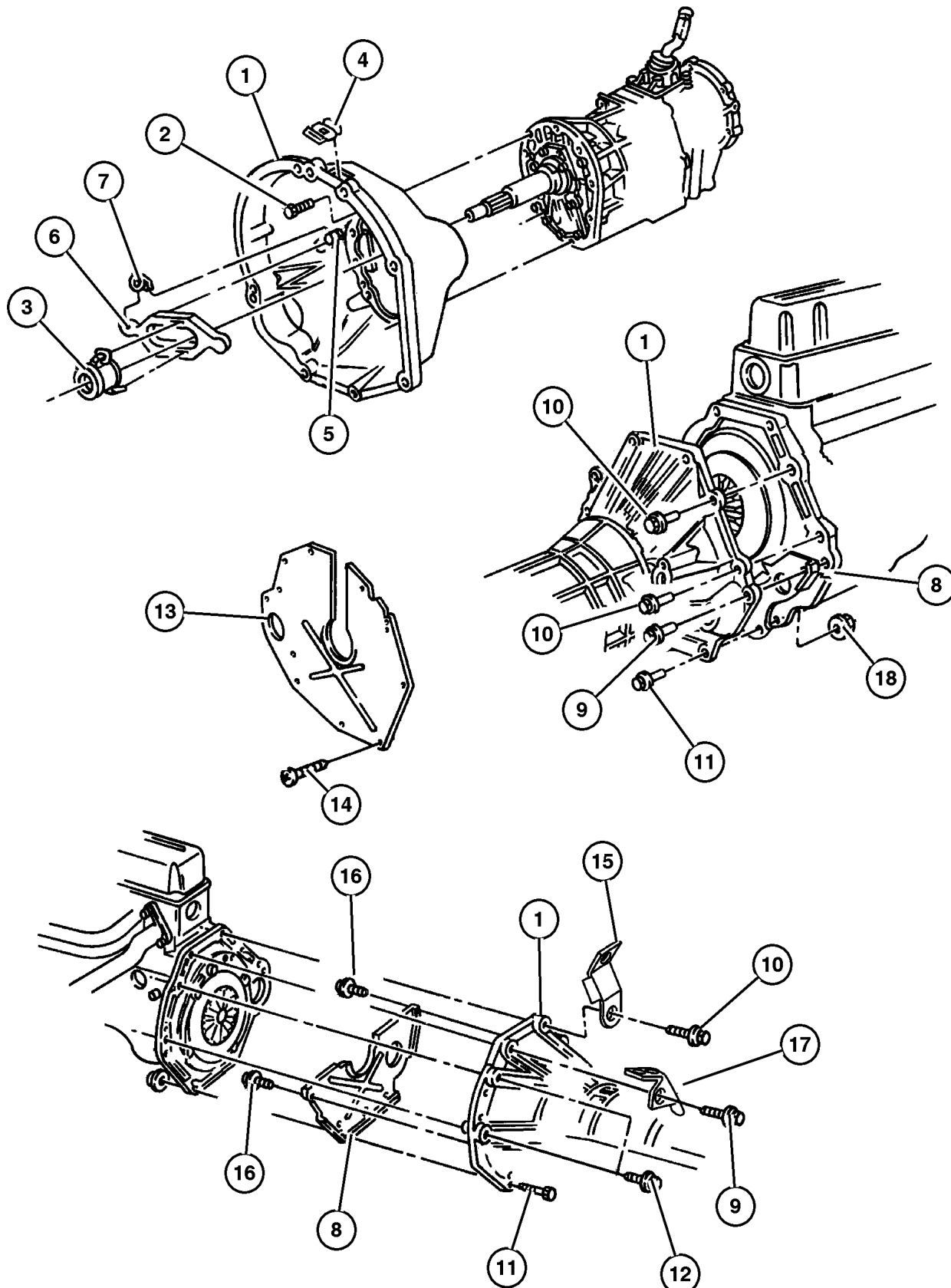
ITEM	PART NUMBER	QTY	LINE	SERIES	BODY	ENGINE	TRANS	TRIM	DESCRIPTION
NOTE; Sales Codes									
[DBB] = All Manual Transmissions									
[EP0] = All 2.5L 4 Cylinder Gas Engines									
[ER0] = All 4.0L 6 Cylinder Gas Engines									
1									HOUSING, Clutch
	5210 4000	1				EP0	DBB		
	5210 7552	1				ER0	DBB		
2	3420 2606	2				EP0, ER0			BOLT, Hex Head
3	5300 8342	1					DBB		BEARING, Clutch Release
4	5300 6010	1				EP0, ER0	DBB		GROMMET, Timing Probe
5									PIVOT, Clutch Release
	5208 7542	1				ER0	DBB		
		1				EP0	DBB		
6	5210 7555	1					DBB		FORK, Clutch Release
7	4338 855	1					DBB		SPRING, Clutch Release
8	5300 3382	1				EP0	DBB		COVER, Transmission Case
9	1150 4922	2				EP0	DBB		BOLT, Hex Head, M12x1.75x50
10	6100 345	2				EP0	DBB		SCREW AND WASHER, Hex Flange Head, M12x1.75x45
11	1150 5098	2				EP0	DBB		BOLT, Hex Flange Head, M12x1.75x60
12	3420 1837	2				EP0	DBB		BOLT, Hex Flange Head, M12x1.75x90
13	53004 473AB	1				ER0	DBB		SPACER, Clutch Housing
14	6100 202	2				ER0	DBB		SCREW, Hex Head, M12x1.75x50
15	5209 8522	1				EP0, ER0			BRACKET, Tube
16									BOLT, Hex Flange Head, M8x2.12x16
	1150 0986	3				ER0	DBB		
		2				EP0	DBB		
17	5601 9959	1				EP0			CLIP, Wiring
18	6502 697	2				EP0, ER0	DBB		NUT, Hex Flange Lock, M12x1.75

### JEEP WRANGLER (TJ)

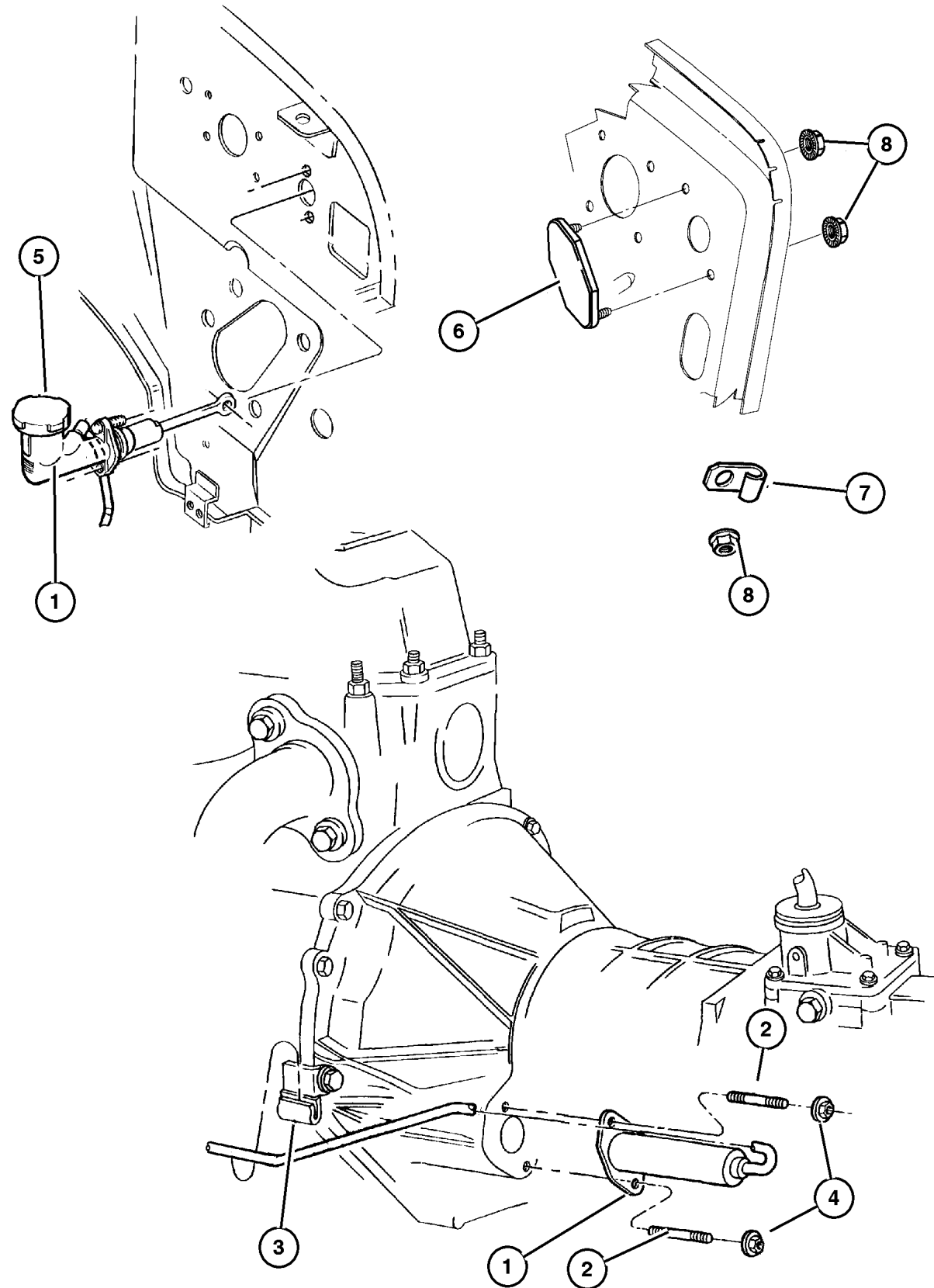
SERIES	LINE	BODY	ENGINE	TRANSMISSION
H = Sport	J = Wrangler 4WD	77 = 93.4 WB	EPE, EP0 = 2.5L Power Tech	DGG, DGD = 32RH 3 Spd. Auto.
L = SE	U = Wrangler 4WD (RHD)		ERH, ER0 = 4.0L Power Tech	DDQ = 5 Spd. Manual
P = Sahara				DDD = 5 Speed HD Manual
				DG0 = Auto. Trans.
				DBB = Manual Trans.

AR = Use as required - = Non illustrated part # = New this model year

September 16, 2005



# Control, Clutch Figure 006-310



ITEM	PART NUMBER	QTY	LINE	SERIES	BODY	ENGINE	TRANS	TRIM	DESCRIPTION
NOTE; Sales Codes									
[DBB] = All Manual Transmissions									
[DG0] = All Automatic Transmissions									
1									HYDRAULIC CONTROL, Clutch Actuator
	52107 652AC	1	J				DBB		
	52107 653AC	1	U				DBB		
2	6032 878	2					DBB		STUD, .312-18x2.00
3	52107 595AB	1					DBB		BRACKET, Clutch Tube
4	0152 472	2					DBB		NUT, Hex Flange Lock, .312-18
5									CAP, Clutch Reservoir
	4883 544AA	1	J				DBB		
		1	U				DBB		
6	5210 4013	1					DG0		COVER, Master Cylinder
7	0120 522	3	U				DBB		CLIP, Wrap Around
8	J400 3909	2					DBB		NUT, Hex Flange With Serration

JEEP WRANGLER (TJ)				TRANSMISSION
SERIES	LINE	BODY	ENGINE	DGG, DGD = 32RH 3 Spd. Auto.
H = Sport	J = Wrangler 4WD	77 = 93.4 WB	EPE, EP0 = 2.5L Power Tech	DDQ = 5 Spd. Manual
L = SE	U = Wrangler 4WD (RHD)		ERH, ER0 = 4.0L Power Tech	DDD = 5 Speed HD Manual
P = Sahara				DG0 = Auto. Trans.
				DBB = Manual Trans.

AR = Use as required - = Non illustrated part # = New this model year

September 16, 2005

**Pedal, Clutch  
Figure 006-410**

ITEM	PART NUMBER	QTY	LINE	SERIES	BODY	ENGINE	TRANS	TRIM	DESCRIPTION
NOTE; Sales Codes									
[DBB] = All Manual Transmissions									
1	J400 3909	4							NUT, Hex Flange With Serration
2	52128 017AB	1	J				DBB		PEDAL, Brake
	52128 052AB	1	U				DBB		
3	5200 2750	2	J				DBB		PAD, Pedal
		2	U				DBB		
4	4294 639	4	J				DBB		BUSHING, Clutch and Brake Pedal
		4	U				DBB		

ILLUSTRATION NOT AVAILABLE AT TIME OF PUBLICATION

**JEEP WRANGLER (TJ)**

SERIES	LINE	BODY	ENGINE	TRANSMISSION
H = Sport	J = Wrangler 4WD	77 = 93.4 WB	EPE, EP0 = 2.5L Power Tech	DGG, DGD = 32RH 3 Spd. Auto.
L = SE	U = Wrangler 4WD (RHD)		ERH, ER0 = 4.0L Power Tech	DDQ = 5 Spd. Manual
P = Sahara				DDD = 5 Speed HD Manual
				DG0 = Auto. Trans.
				DBB = Manual Trans.

# Group – 007

## Cooling

### GROUP 7 - Cooling

Illustration Title

Group-Fig. No.

#### Radiator and Related Parts

Radiator And Related Parts ..... Fig. 007-110

#### Water Pump and Related Parts

Water Pump ..... Fig. 007-205

#### Tank, Coolant Engine

Tank, Coolant Recovery ..... Fig. 007-302

#### Pulleys and Related Parts

Drive Pulleys ..... Fig. 007-405

#### Drive Belts

Drive Belts, 2.5L Engine, LHD ..... Fig. 007-505

Drive Belts, 2.5L Engine, RHD ..... Fig. 007-510

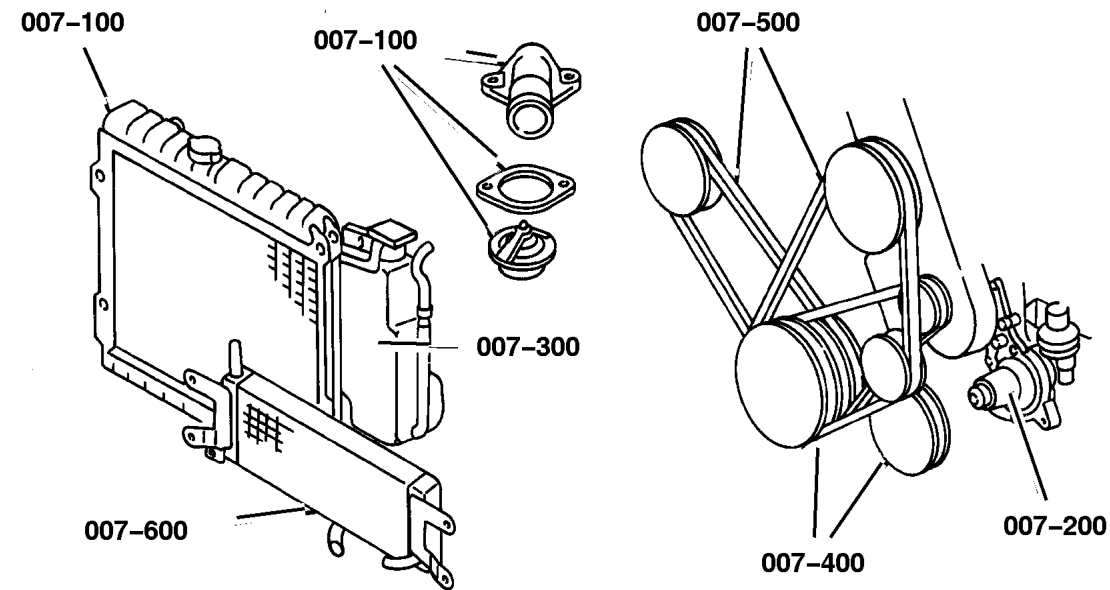
Drive Belts, 4.0L Engine ..... Fig. 007-515

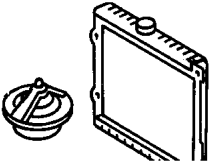
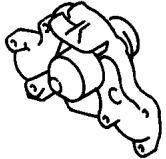
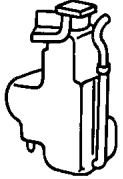
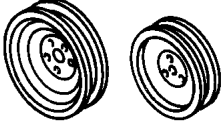
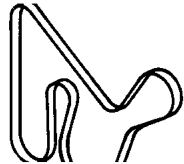
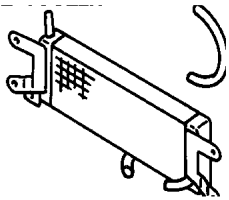
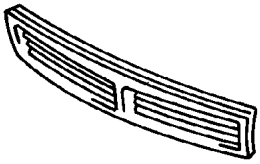
#### Lines, Transmission Oil Cooler

Oil Cooler Lines ..... Fig. 007-605

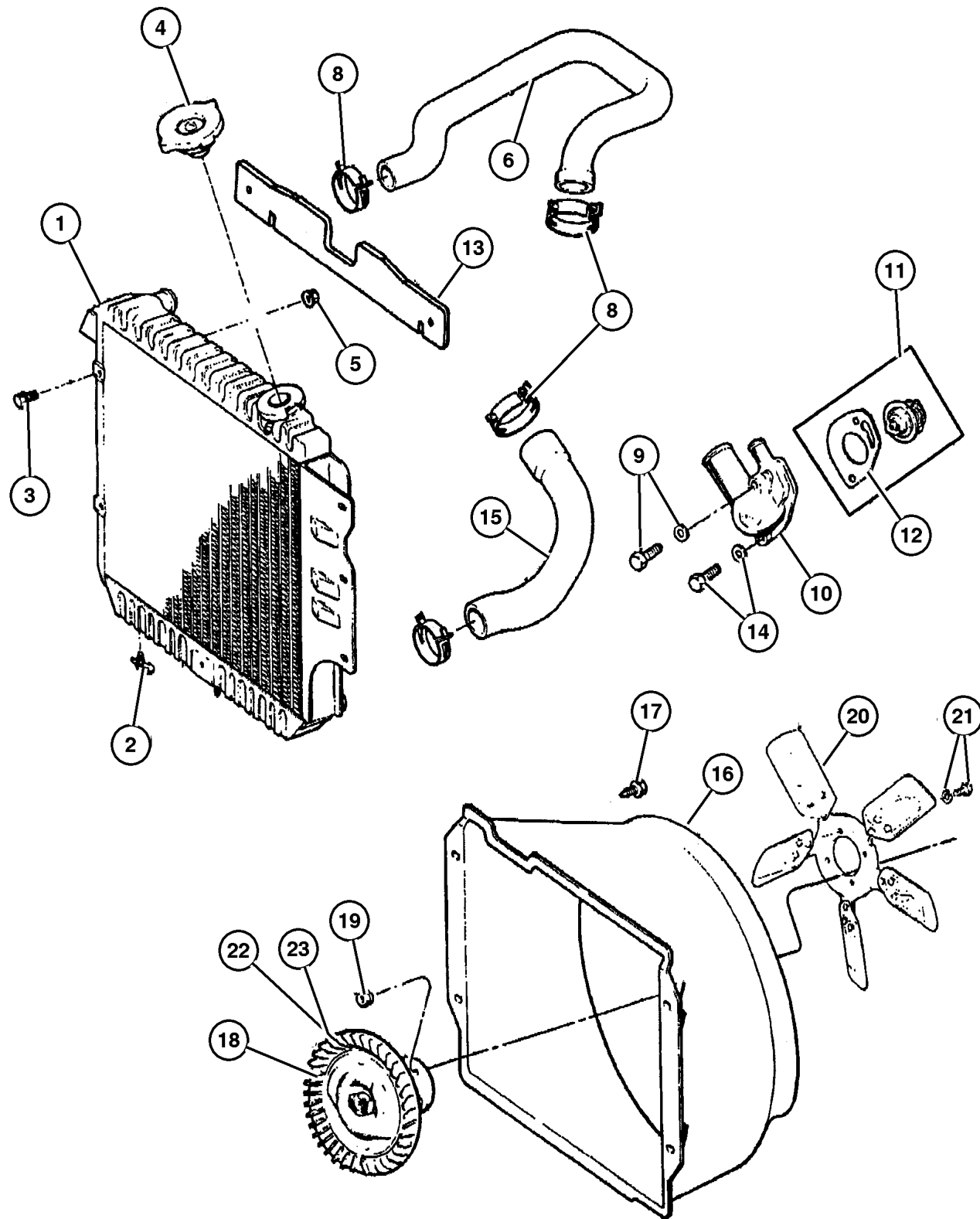
#### Grilles

Grille And Related Parts ..... Fig. 007-705



<p><b>007-100</b> Radiator and Related Parts</p> 	<p><b>007-200</b> Water Pump and Related Parts</p> 	<p><b>007-300</b> Tank, Coolant Engine</p> 	<p><b>007-400</b> Pulleys and Related Parts</p> 
<p><b>007-500</b> Drive Belts</p> 	<p><b>007-600</b> Lines, Transmission Oil Cooler</p> 	<p><b>007-700</b> Grilles</p> 	

**Radiator And Related Parts  
Figure 007-110**



ITEM	PART NUMBER	QTY	LINE	SERIES	BODY	ENGINE	TRANS	TRIM	DESCRIPTION
Note: Sales Code DBB = Manual Trans									
Note: Sales Code DGO = All Auto Trans									
Note: Sales Code EPO = 2.5L Gas Engine									
Note: Sales Code ERO = 4.0L Gas Engine									
1									RADIATOR, Engine Cooling
	52080 180AB	1	J			EPO	DBB		
	52080 181AB	1	J			EPO	DGO		
	52080 183AC	1	J			ERO	DBB		
	52080 184AC	1	J			ERO	DGO		
	52080 186AC	1	U			EPO			
		1	U			ERO			
2									DRAINCOCK, Radiator
	4773 259	1	J			EPO	DGO		
		1	J			EPO	DBB		
		1	J			ERO	DBB		
		1	J			ERO	DGO		
3									SCREW, (NOT SERVICED) (Not Serviced)
4	52079 799AA	1							CAP, Radiator
5									U-NUT, Multi-Thread Spring, 1/4-20, (NOT SERVICED) (Not Serviced)
6									HOSE, Radiator Inlet
	5202 8264	1	J			ERO			
	52028 144AB	1	U			ERO			
-7	5202 8266	1				EPO			HOSE, Thermostat Outlet
8	5200 5580	1							CLAMP, Hose to Radiator
9	6034 356	1				EPO,			SCREW AND WASHER, Hex Head, .312-18x2.38
						ERO			
10	5300 6192	1				EPO,			HOUSING, Thermostat
						ERO			
11	5202 8186	1				EPO,			THERMOSTAT, 195 Degrees
						ERO			
12	53020 547AB	1				EPO,			GASKET, Thermostat
						ERO			
13	5503 6369	1							SEAL, Condenser, Lower
14	6034 927	1				EPO,			SCREW AND WASHER, Hex Head, .312-18x.970
						ERO			
15									HOSE, Radiator To Pump
	5202 8141	1				EPO			
	52028 143AB	1	U			ERO			
	52028 265AB	1	J			ERO			
16									SHROUD, Fan

**JEEP WRANGLER (TJ)**

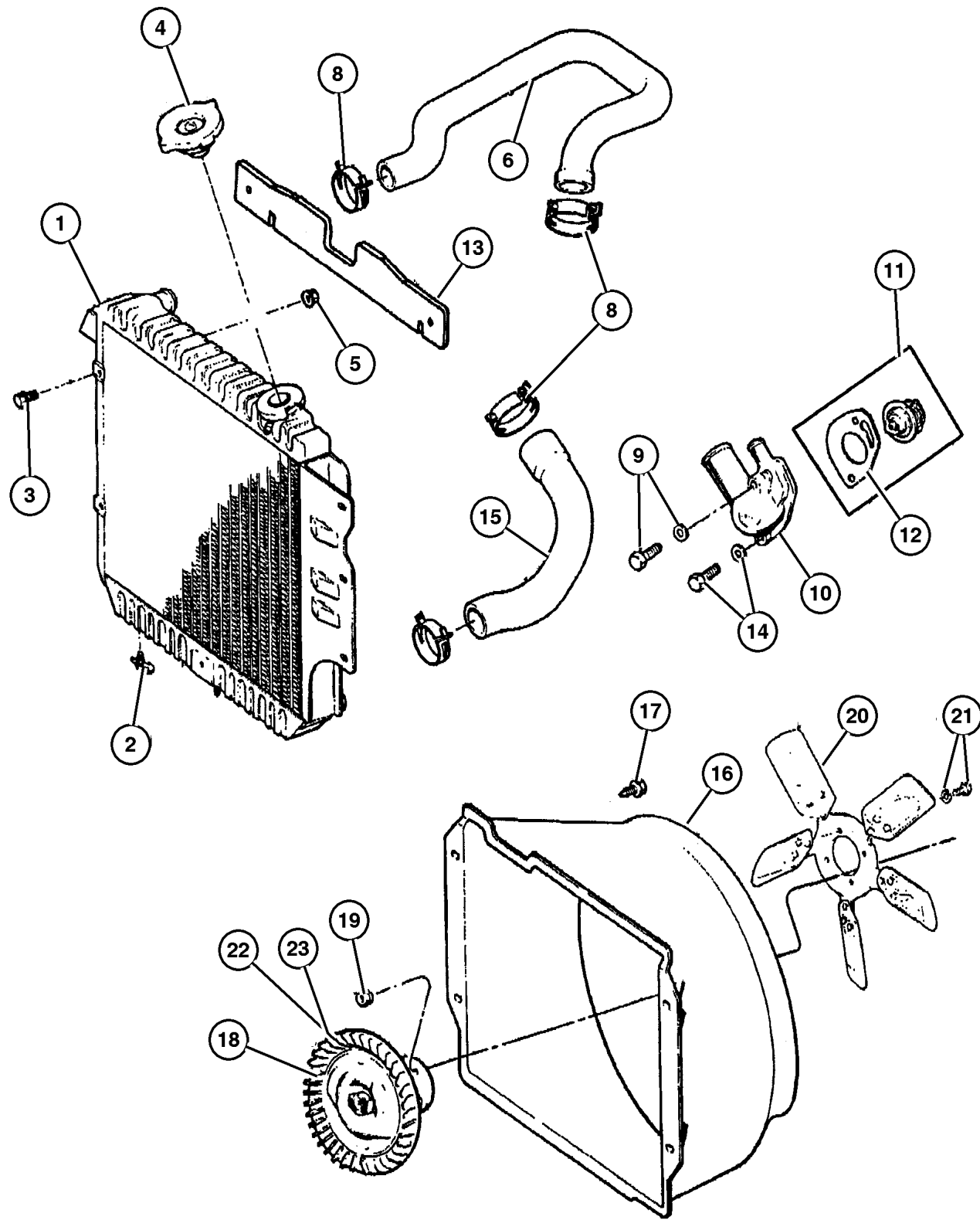
SERIES	LINE	BODY	ENGINE	TRANSMISSION
H = Sport	J = Wrangler 4WD	77 = 93.4 WB	EPE, EPO = 2.5L Power Tech	DGG, DGD = 32RH 3 Spd. Auto.
L = SE	U = Wrangler 4WD (RHD)		ERH, ERO = 4.0L Power Tech	DDQ = 5 Spd. Manual
P = Sahara				DDD = 5 Speed HD Manual
				DGO = Auto. Trans.
				DBB = Manual Trans.

AR = Use as required - = Non illustrated part # = New this model year

September 16, 2005

**Radiator And Related Parts  
Figure 007-110**

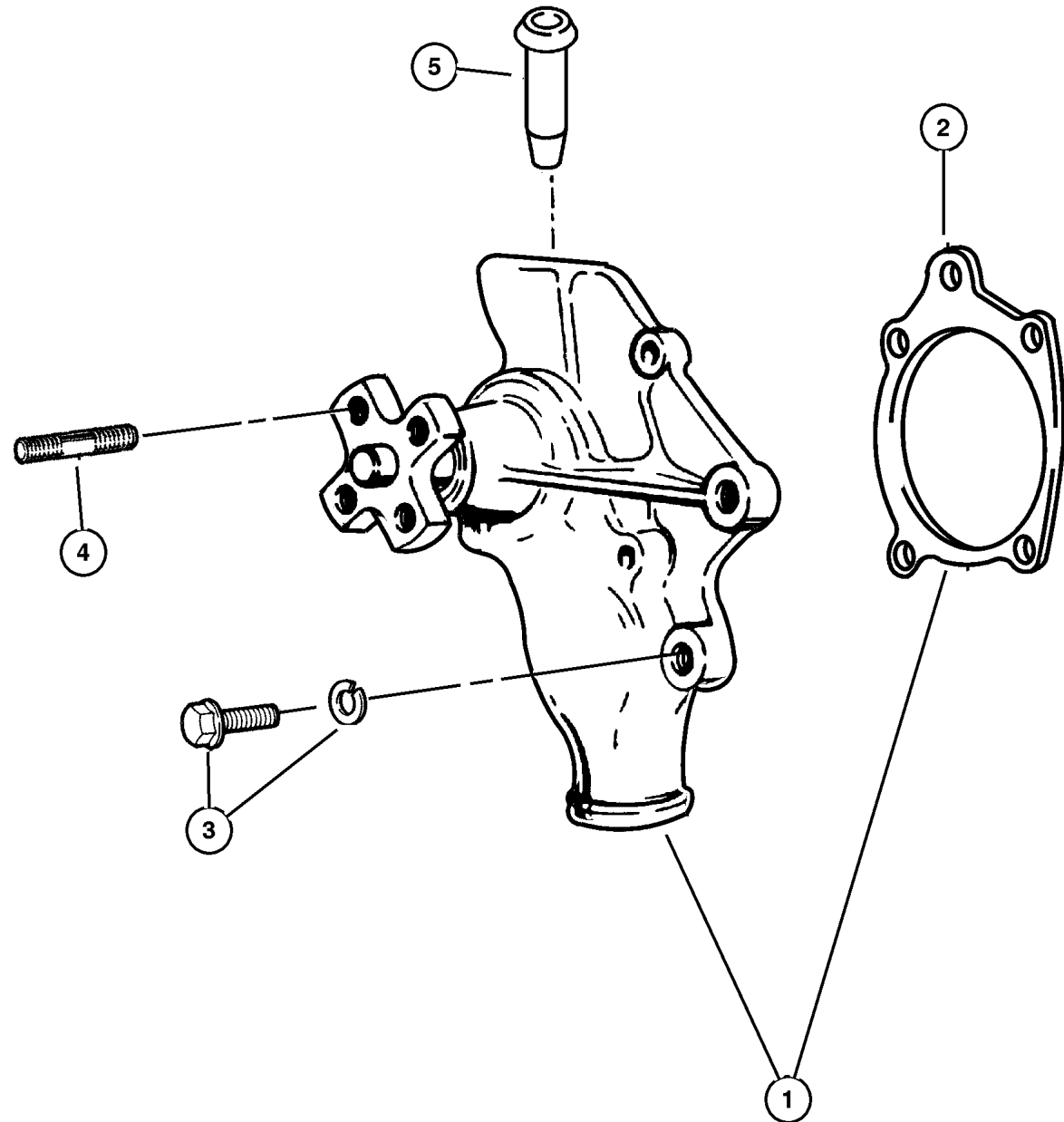
ITEM	PART NUMBER	QTY	LINE	SERIES	BODY	ENGINE	TRANS	TRIM	DESCRIPTION
	52027 926AB	1	J			EP0			
	52027 925AC	1	J			ER0			
	5202 8128	1	U			EP0			
	52028 127AC	1	U			ER0			
17									SCREW AND WASHER, Hex Head, .25-20x.875, (NOT SERVICED) (Not Serviced)
18	5200 4266	1				EP0			FAN, Cooling
19	0154 591	4				EP0			NUT AND WASHER, Hex, .312-18
20	5202 7893	1				ER0			FAN, Cooling
21	6034 860	4				EP0, ER0			BOLT AND WASHER, Implement Attaching
22	52079 787AA	1				ER0			VISCOUS CLUTCH, Fan Drive
23	52027 890AB	1				EP0			DRIVE, Fan



**JEEP WRANGLER (TJ)**  
 SERIES H = Sport L = SE P = Sahara  
 LINE J = Wrangler 4WD U = Wrangler 4WD (RHD)  
 BODY 77 = 93.4 WB  
 ENGINE EPE, EP0 = 2.5L Power Tech ERH, ER0 = 4.0L Power Tech  
 TRANSMISSION DGG, DGD = 32RH 3 Spd. Auto. DDQ = 5 Spd. Manual DDD = 5 Speed HD Manual DG0 = Auto. Trans. DBB = Manual Trans.

**Water Pump  
Figure 007-205**

ITEM	PART NUMBER	QTY	LINE	SERIES	BODY	ENGINE	TRANS	TRIM	DESCRIPTION
Note: Sales Code EP0 = 2.5L Gas Engine									
Note: Sales Code ER0 = 4.0L Gas Engine									
1									PUMP PACKAGE, Water
	4626 054AD	1				EP0			
	5012 366AA	1				ER0			
2	5301 0419	1				EP0, ER0			GASKET, Water Pump
3	J400 4455	1							SCREW AND WASHER, Hex Head, .312-18x1.12
4	J400 6714	4				EP0			STUD, .312-18/.312-24x1.250
5	5300 7978	1				EP0, ER0			TUBE, Water Pump Heater Return, Pump Heater Return

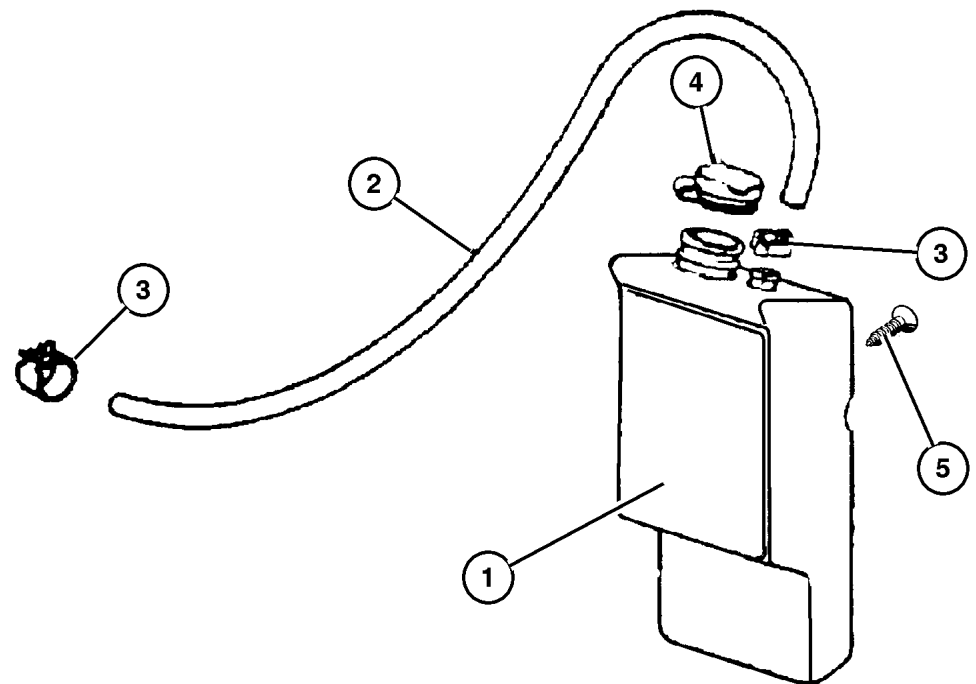


<b>JEEP WRANGLER (TJ)</b>				
SERIES	LINE	BODY	ENGINE	TRANSMISSION
H = Sport	J = Wrangler 4WD	77 = 93.4 WB	EPE, EP0 = 2.5L Power Tech	DGG, DGD = 32RH 3 Spd. Auto.
L = SE	U = Wrangler 4WD (RHD)		ERH, ER0 = 4.0L Power Tech	DDQ = 5 Spd. Manual
P = Sahara				DDD = 5 Speed HD Manual
				DG0 = Auto. Trans.
				DBB = Manual Trans.

AR = Use as required - = Non illustrated part # = New this model year

September 16, 2005

## Tank, Coolant Recovery Figure 007-302



ITEM	PART NUMBER	QTY	LINE	SERIES	BODY	ENGINE	TRANS	TRIM	DESCRIPTION
------	-------------	-----	------	--------	------	--------	-------	------	-------------

Note: Sales Code EP0 = 2.5L Gas Engine  
 Note: Sales Code ER0 = 4.0L Gas Engine

1	52028 065AD	1				EP0, ER0			BOTTLE, Coolant Recovery
2									HOSE, 5/8" I.D. 50 Foot Roll, (DNS), (NOT SERVICED) (Not Serviced)
3									CLAMP, (NOT SERVICED) (Not Serviced)
4	5207 9331	1				EP0, ER0			CAP, Coolant Reserve Tank
5									SCREW, (NOT SERVICED) (Not Serviced)

<b>JEEP WRANGLER (TJ)</b>			
SERIES	LINE	BODY	TRANSMISSION
H = Sport	J = Wrangler 4WD	77 = 93.4 WB	DGG, DGD = 32RH 3 Spd. Auto.
L = SE	U = Wrangler 4WD (RHD)		DDQ = 5 Spd. Manual
P = Sahara			DDD = 5 Speed HD Manual
			DG0 = Auto. Trans.
			DBB = Manual Trans.

AR = Use as required - = Non illustrated part # = New this model year

September 16, 2005



## Drive Pulleys Figure 007-405

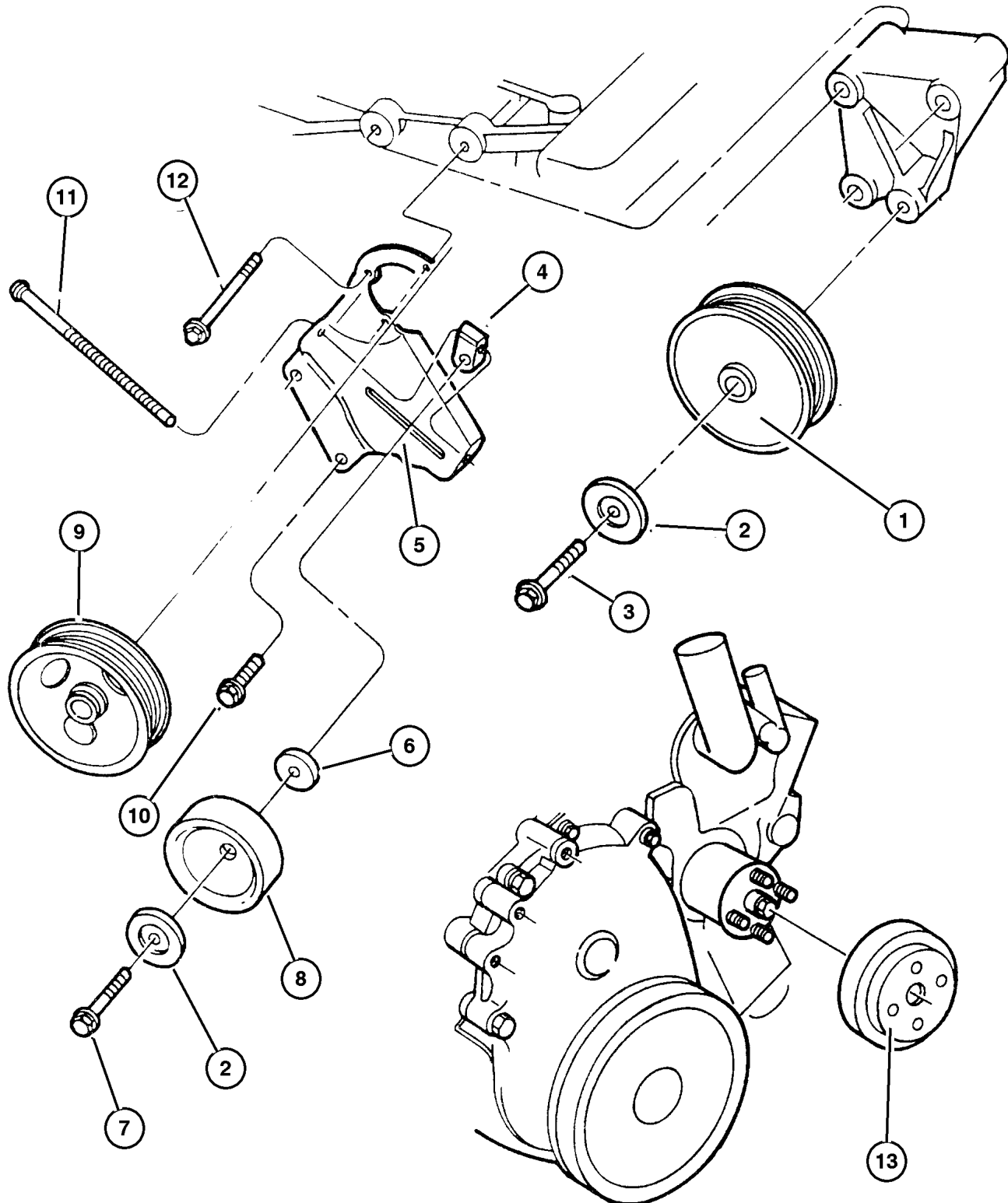
ITEM	PART NUMBER	QTY	LINE	SERIES	BODY	ENGINE	TRANS	TRIM	DESCRIPTION
Note: Sales Code EP0 = 2.5L Gas Engine									
Note: Sales Code ER0 = 4.0L Gas Engine									
1									PULLEY, Idler
	4792 112	1				EP0			
	4854 092	1				ER0			
2	3300 2201	1				EP0			BUSHING, Idler Pulley
3	6504 239	1				EP0			SCREW AND WASHER, M10x1.5x40
4	5301 0149	1				EP0			COLLAR, Tensioner Adjustment
5	5301 0148	1				EP0			BRACKET, Tensioner
6	6503 230	1				EP0			SPACER, Belt Tensioner
7	6504 239	1				EP0			SCREW AND WASHER, M10x1.5x40
8									PULLEY, Idler
	4854 092	1				ER0			
	5301 0230	1				EP0			
9									PULLEY, Power Steering Pump
	53010 258AB	1				EP0			
		1				ER0			
10									SCREW, (NOT SERVICED) (Not Serviced)
11	6503 198	1				EP0			BOLT
12									SCREW, (NOT SERVICED) (Not Serviced)
13									PULLEY, Water Pump
	5300 7154	1				EP0			
	4854 032	1				ER0			
-14	6034 860	4				EP0, ER0			BOLT AND WASHER, Implement Attaching
-15	4854 089AB-	1				ER0			TENSIONER, Alternator Belt

### JEEP WRANGLER (TJ)

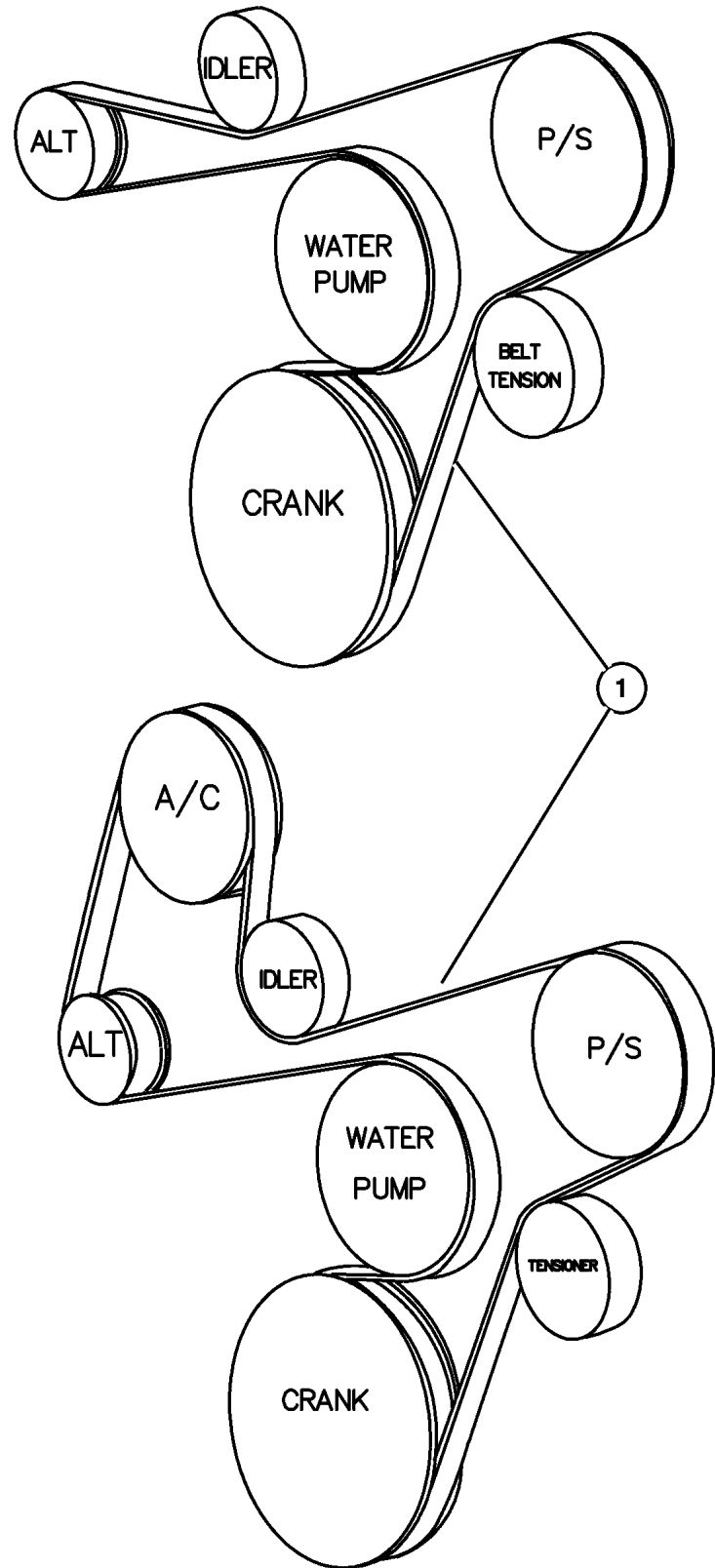
SERIES	LINE	BODY	ENGINE	TRANSMISSION
H = Sport	J = Wrangler 4WD	77 = 93.4 WB	EPE, EP0 = 2.5L Power Tech	DGG, DGD = 32RH 3 Spd. Auto.
L = SE	U = Wrangler 4WD (RHD)		ERH, ER0 = 4.0L Power Tech	DDQ = 5 Spd. Manual
P = Sahara				DDD = 5 Speed HD Manual
				DG0 = Auto. Trans.
				DBB = Manual Trans.

AR = Use as required   - = Non illustrated part   # = New this model year

September 16, 2005



Drive Belts, 2.5L Engine, LHD  
Figure 007-505



ITEM	PART NUMBER	QTY	LINE	SERIES	BODY	ENGINE	TRANS	TRIM	DESCRIPTION
------	-------------	-----	------	--------	------	--------	-------	------	-------------

Note: Sales Code EP0 = 2.5L Gas Engine

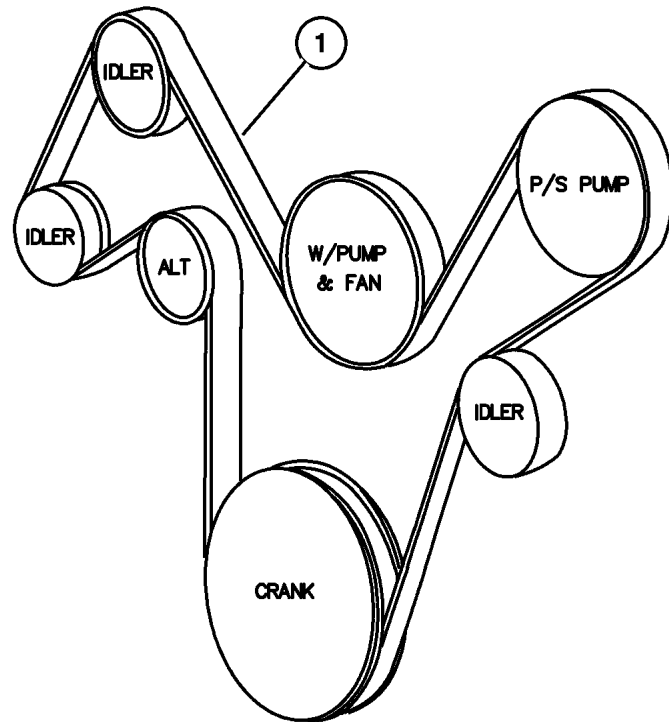
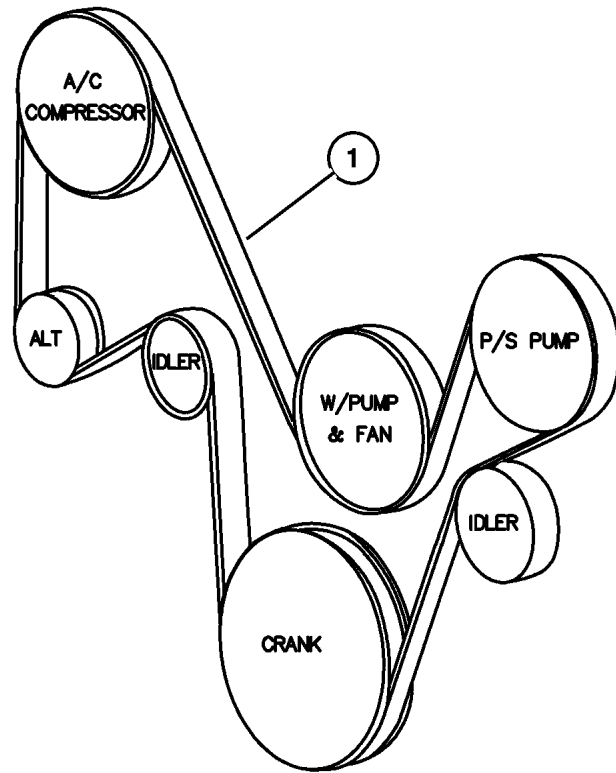
1	5301 0257	1	J			EP0			BELT, Accessory Drive without Air Conditioning
	5301 0150	1	J			EP0			with Air Conditioning
-2	5301 0298	1	J			EP0			LABEL, Belt Routing

JEEP WRANGLER (TJ)				
SERIES	LINE	BODY	ENGINE	TRANSMISSION
H = Sport	J = Wrangler 4WD	77 = 93.4 WB	EPE, EP0 = 2.5L Power Tech	DGG, DGD = 32RH 3 Spd. Auto.
L = SE	U = Wrangler 4WD (RHD)		ERH, ER0 = 4.0L Power Tech	DDQ = 5 Spd. Manual
P = Sahara				DDD = 5 Speed HD Manual
				DG0 = Auto. Trans.
				DBB = Manual Trans.

AR = Use as required - = Non illustrated part # = New this model year

September 16, 2005

Drive Belts, 2.5L Engine, RHD  
Figure 007-510



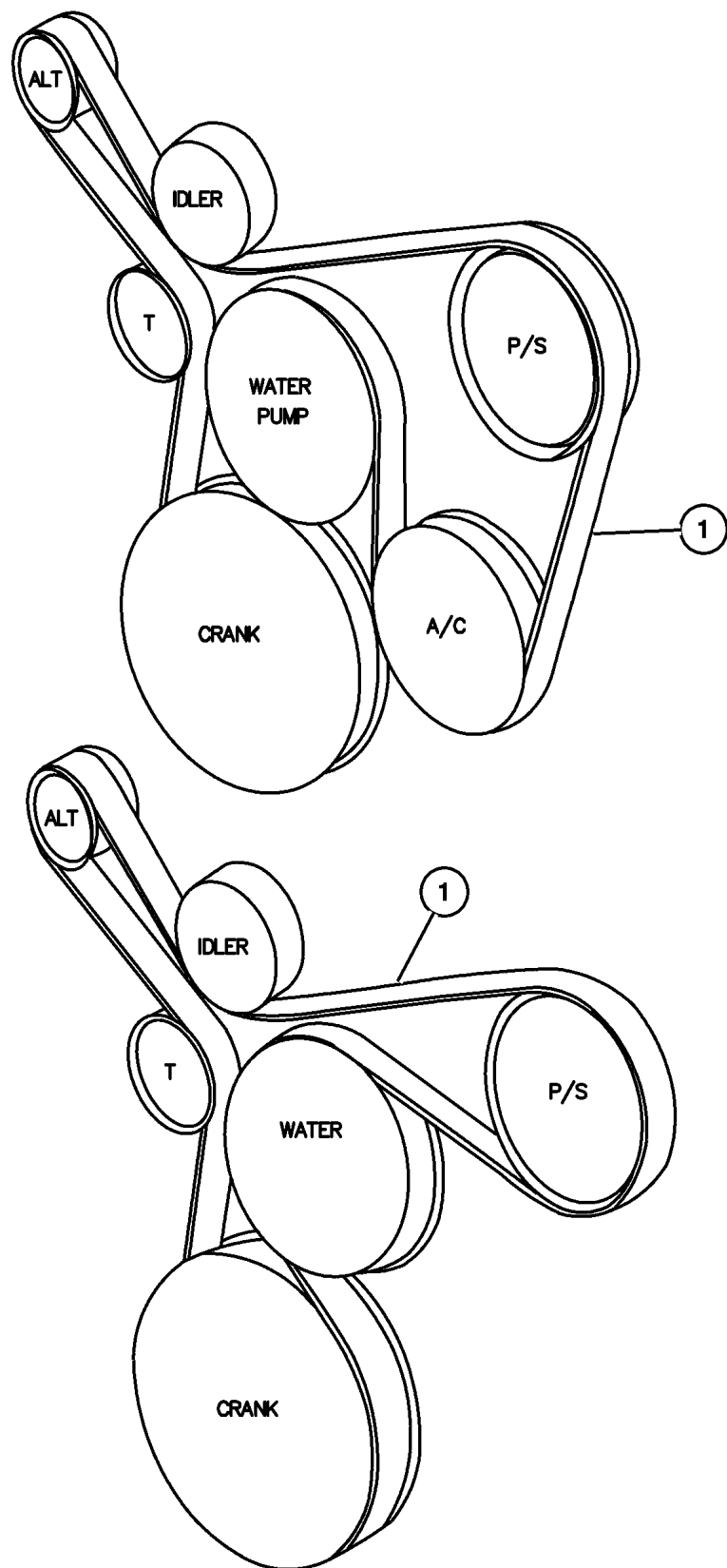
ITEM	PART NUMBER	QTY	LINE	SERIES	BODY	ENGINE	TRANS	TRIM	DESCRIPTION
1									BELT, Accessory Drive
	5301 0234	1	U			EPO			with Air Conditioning
	53013 124AB	1	U			EPO			without Air Conditioning
-2	53013 005AB-	1	U			EPO			LABEL, Belt Routing

<b>JEEP WRANGLER (TJ)</b>				
SERIES	LINE	BODY	ENGINE	TRANSMISSION
H = Sport	J = Wrangler 4WD	77 = 93.4 WB	EPE, EPO = 2.5L Power Tech	DGG, DGD = 32RH 3 Spd. Auto.
L = SE	U = Wrangler 4WD (RHD)		ERH, ER0 = 4.0L Power Tech	DDQ = 5 Spd. Manual
P = Sahara				DDD = 5 Speed HD Manual
				DG0 = Auto. Trans.
				DBB = Manual Trans.

AR = Use as required - = Non illustrated part # = New this model year

September 16, 2005

Drive Belts, 4.0L Engine  
Figure 007-515



ITEM	PART NUMBER	QTY	LINE	SERIES	BODY	ENGINE	TRANS	TRIM	DESCRIPTION
1									BELT, Accessory Drive
	4854 033	1				ER0			with Air Conditioning
	53013 209AC	1				ER0			without Air Conditioning
-2	53031 700AB-	1				ER0			LABEL, Belt Routing

JEEP WRANGLER (TJ)

SERIES	LINE	BODY	ENGINE	TRANSMISSION
H = Sport	J = Wrangler 4WD	77 = 93.4 WB	EPE, EP0 = 2.5L Power Tech	DGG, DGD = 32RH 3 Spd. Auto.
L = SE	U = Wrangler 4WD (RHD)		ERH, ER0 = 4.0L Power Tech	DDQ = 5 Spd. Manual
P = Sahara				DDD = 5 Speed HD Manual
				DG0 = Auto. Trans.
				DBB = Manual Trans.

AR = Use as required - = Non illustrated part # = New this model year

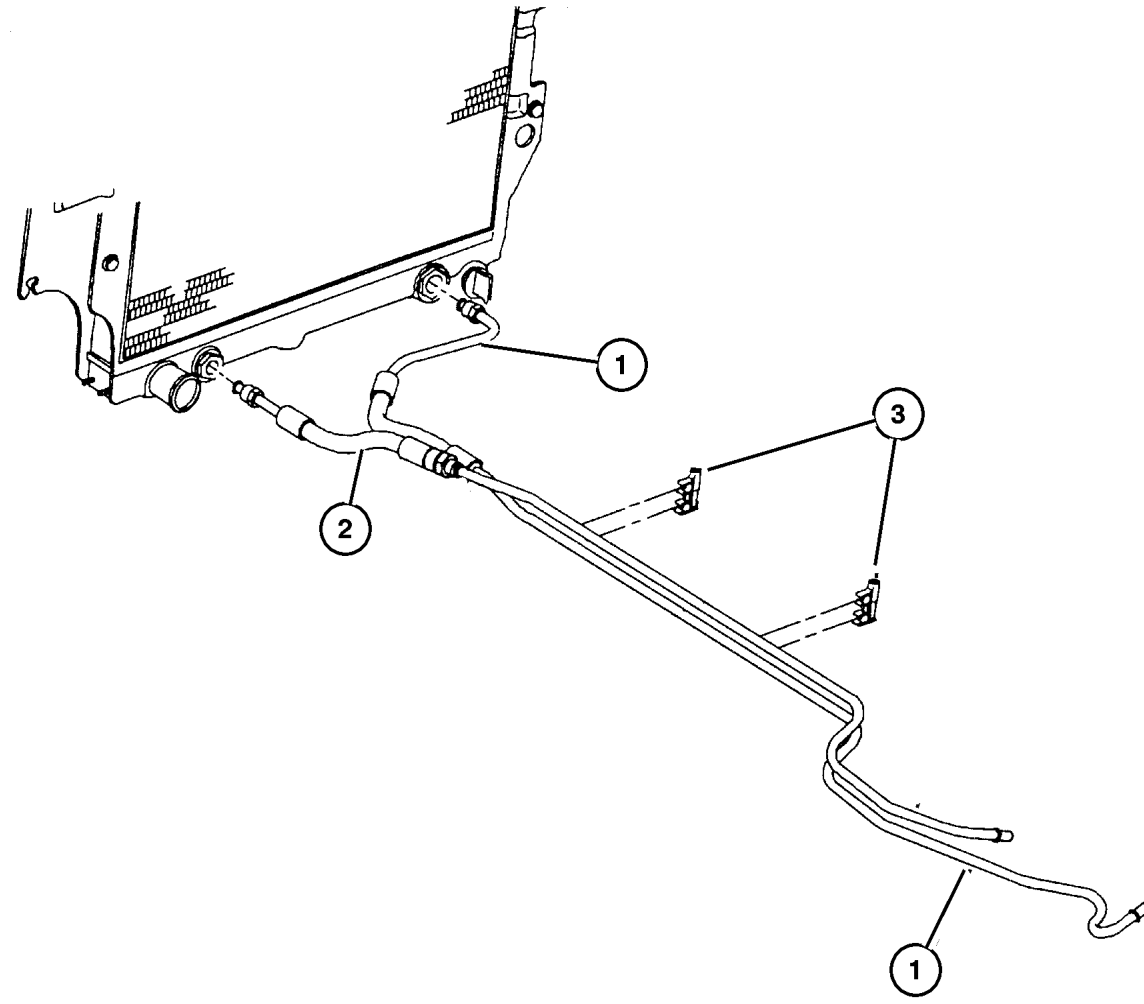
September 16, 2005

# Oil Cooler Lines Figure 007-605

ITEM	PART NUMBER	QTY	LINE	SERIES	BODY	ENGINE	TRANS	TRIM	DESCRIPTION
------	-------------	-----	------	--------	------	--------	-------	------	-------------

Note: Sales Code DG0 = All Auto Trans  
 Note: Sales Code EP0 = 2.5L Gas Engine  
 Note: Sales Code ER0 = 4.0L Gas Engine

1	52079 638AB	1					DGD		LINE, Oil Cooler Return, Return TUBE AND HOSE, Oil Cooler
2	52079 687AB	1					DGD		Pressure
	52079 899AB	1				ER0	DG0		Pressure
	52079 901AA	1				ER0	DG0		Return
3	52079 789AA	2				EP0	DG0		BRACKET, Transmission Oil Cooler
		1				ER0	DG0		

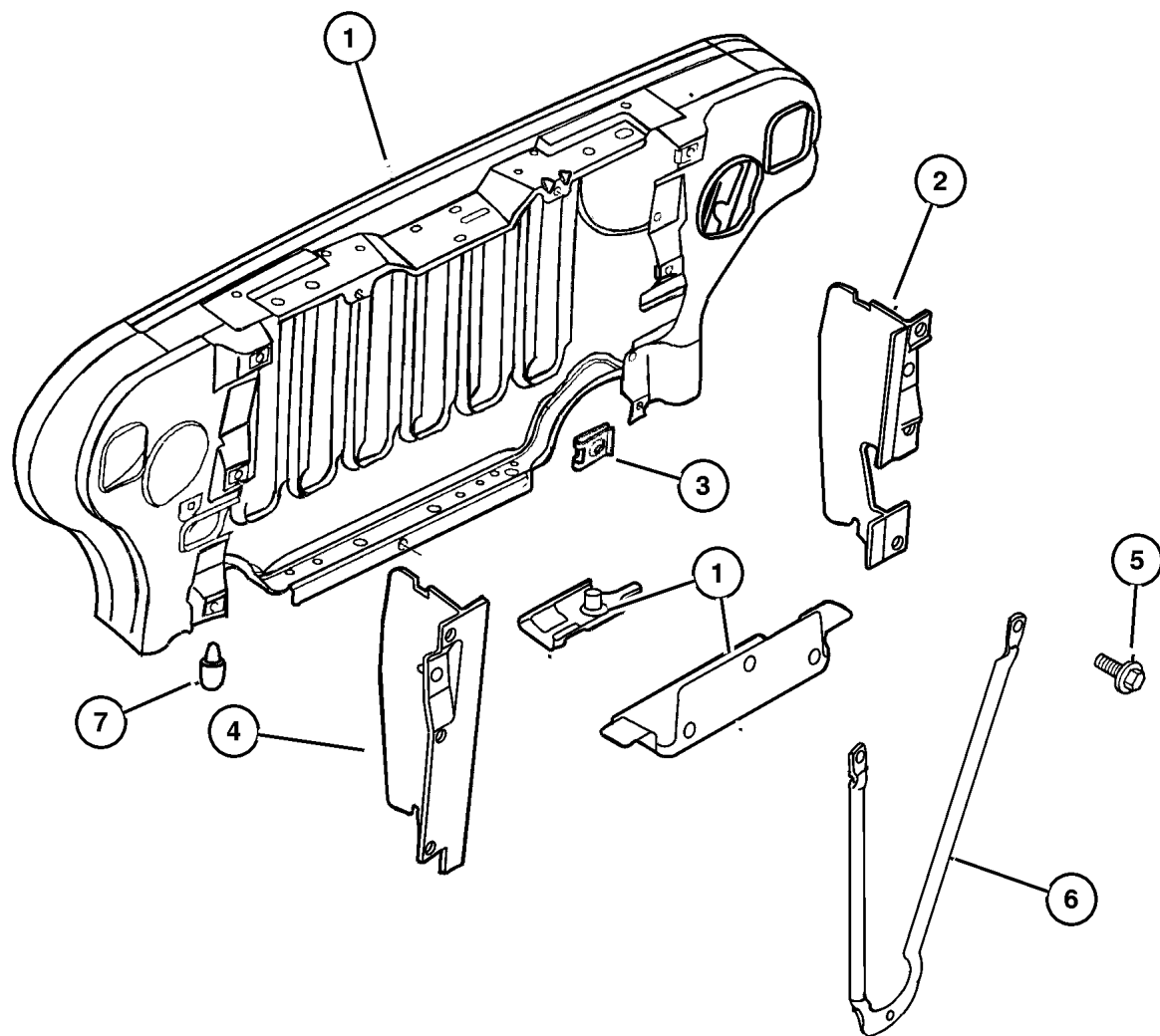


JEEP WRANGLER (TJ)				
SERIES	LINE	BODY	ENGINE	TRANSMISSION
H = Sport	J = Wrangler 4WD	77 = 93.4 WB	EPE, EP0 = 2.5L Power Tech	DGG, DGD = 32RH 3 Spd. Auto.
L = SE	U = Wrangler 4WD (RHD)		ERH, ER0 = 4.0L Power Tech	DDQ = 5 Spd. Manual
P = Sahara				DDD = 5 Speed HD Manual
				DG0 = Auto. Trans.
				DBB = Manual Trans.

AR = Use as required - = Non illustrated part # = New this model year

September 16, 2005

**Grille And Related Parts  
Figure 007-705**



ITEM	PART NUMBER	QTY	LINE	SERIES	BODY	ENGINE	TRANS	TRIM	DESCRIPTION
------	-------------	-----	------	--------	------	--------	-------	------	-------------

Note: Sales Code EP0 = 2.5L Gas Engine

Note: Sales Code ER0 = 4.0L Gas Engine

1	55174 594AC	1							PANEL, Radiator Closure, after 1-3-97
2	55036 866AC	1							SEAL, Condenser, Condenser to Grille,Right
3									U-NUT, Multi-Thread Spring, 1/4-20, (NOT SERVICED) (Not Serviced)
4	5503 6867	1							SEAL, Condenser, Condenser to Grille, Left
5	6100 548	3							BOLT AND CONED WASHER, Hex Head, M6x20x12.5
6	5517 6218	1							BRACE, Radiator, Radiator Guard
7	5517 6181	2							ISOLATOR

**JEEP WRANGLER (TJ)**

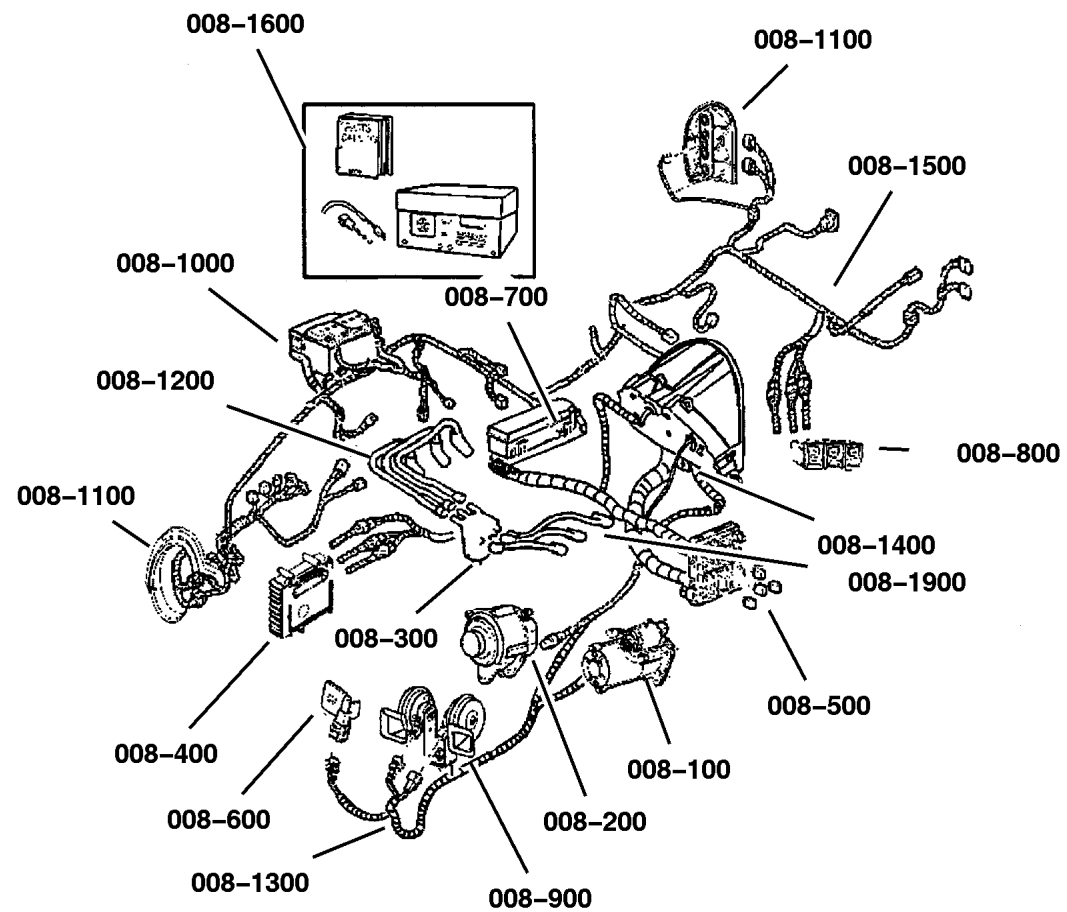
SERIES	LINE	BODY	ENGINE	TRANSMISSION
H = Sport	J = Wrangler 4WD	77 = 93.4 WB	EPE, EP0 = 2.5L Power Tech	DGG, DGD = 32RH 3 Spd. Auto.
L = SE	U = Wrangler 4WD (RHD)		ERH, ER0 = 4.0L Power Tech	DDQ = 5 Spd. Manual
P = Sahara				DDD = 5 Speed HD Manual
				DG0 = Auto. Trans.
				DBB = Manual Trans.

AR = Use as required - = Non illustrated part # = New this model year

September 16, 2005

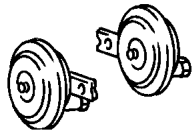
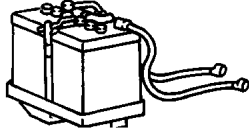
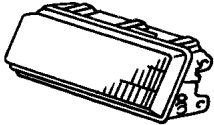
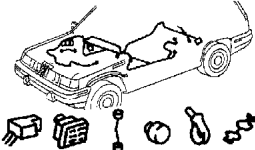


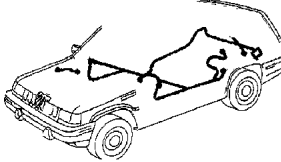
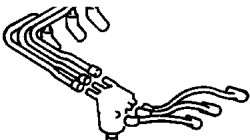
# Group – 008

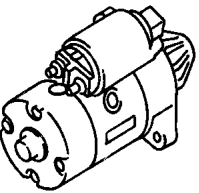
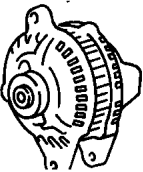
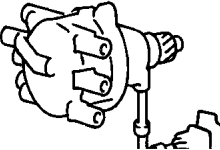
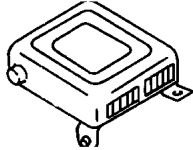
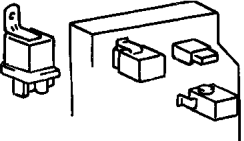
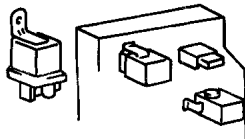
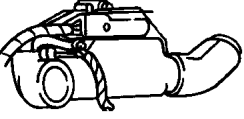
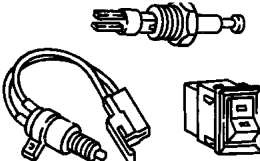
## Electrical



# Group – 008

## Electrical

<b>008-900</b> Horns 	<b>008-1000</b> Battery Tray and Cables 	<b>008-1100</b> Lamps – Front, Rear and Courtesy 	<b>008-1200</b> Wiring-Engine & Related Parts 
<b>008-1300</b> Wiring-Headlamp to Dash 	<b>008-1400</b> Wiring-Instrument Panel 	<b>008-1500</b> Wiring-Body & Accessories 	<b>008-1600</b> Wiring Repair <p>WIRING REPAIR PKG.</p>
<b>008-1900</b> Spark Plugs-Cables-Coils 			

<b>008-100</b> Starters 	<b>008-200</b> Alternators 	<b>008-300</b> Distributor 	<b>008-400</b> Modules 
<b>008-500</b> Relays 	<b>008-600</b> Sensors 	<b>008-700</b> Single Board Engine Controllers 	<b>008-800</b> Switches 



---

**GROUP 8 - Electrical**

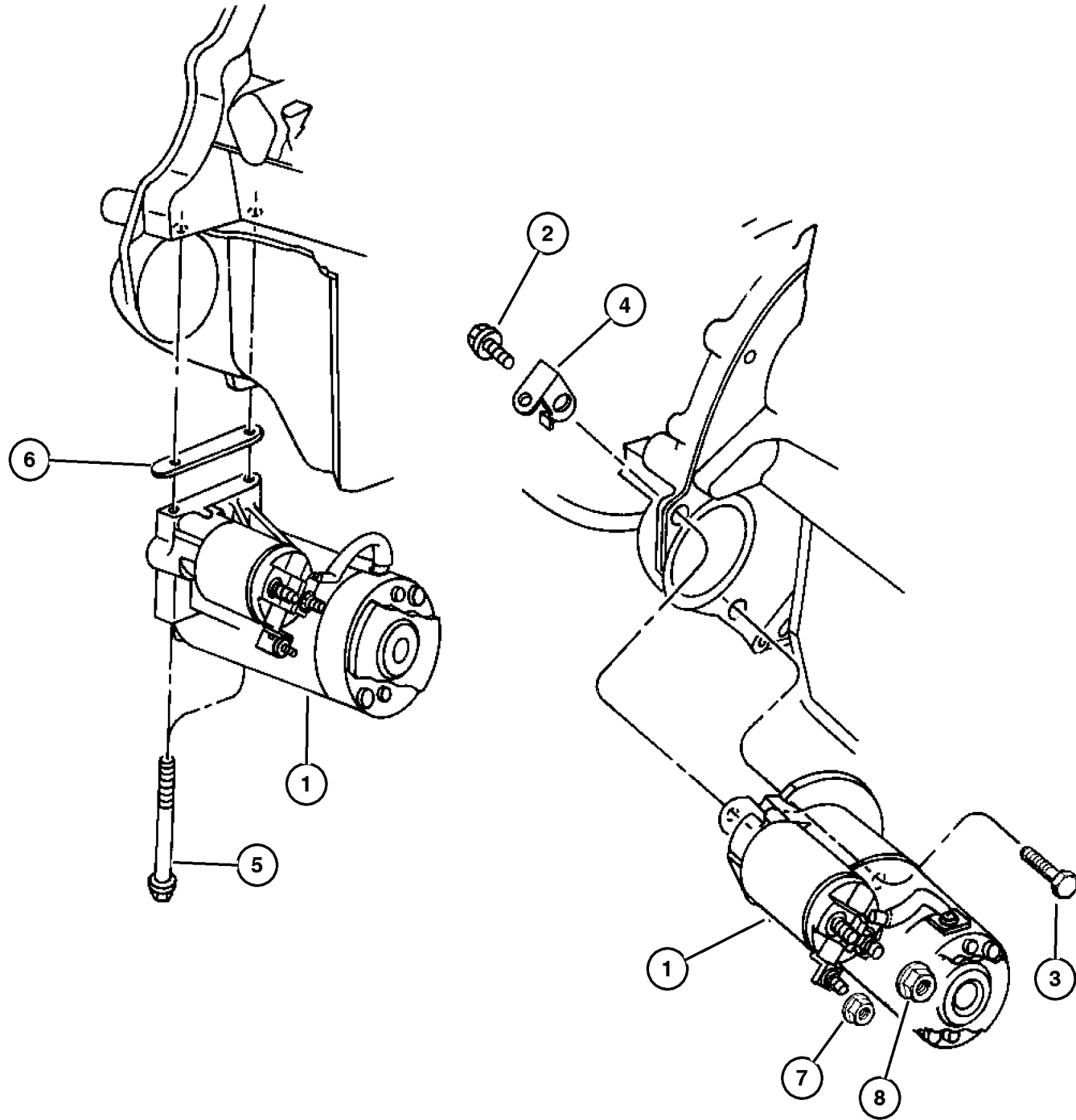
Illustration Title	Group-Fig. No.
<b>Starters</b>	
Starter .....	Fig. 008-105
<b>Alternators</b>	
Alternator 2.5L Engine .....	Fig. 008-205
Alternator 4.0L Engine .....	Fig. 008-210
<b>Distributor</b>	
Distributor 2.5L Engine .....	Fig. 008-305
<b>Modules</b>	
Modules .....	Fig. 008-405
<b>Relays</b>	
Power Distribution Center Relays and Fuses .....	Fig. 008-505
Fuse Block Relays and Fuses .....	Fig. 008-510
<b>Sensors</b>	
Sensors 2.5L Engine .....	Fig. 008-605
Sensors 4.0L Engine .....	Fig. 008-610
Sensors Drivetrain .....	Fig. 008-615
Sensors Body .....	Fig. 008-620
<b>Single Board Engine Controllers</b>	
Single Board Engine Controllers (JTEC Module) .....	Fig. 008-705
<b>Switches</b>	
Switches Instrument Panel and Console .....	Fig. 008-805
Switches Drivetrain .....	Fig. 008-810
Switches Body .....	Fig. 008-815
<b>Horns</b>	
Horns .....	Fig. 008-905
<b>Battery Tray and Cables</b>	
Battery Tray & Cables .....	Fig. 008-1005
<b>Lamps - Front, Rear and Courtesy</b>	
Lamps Front .....	Fig. 008-1105
Lamps--Rear .....	Fig. 008-1110
Lamps--Cargo-Dome-Courtesy .....	Fig. 008-1115
Bulbs & Sockets .....	Fig. 008-1120
<b>Wiring-Engine &amp; Related Parts</b>	
Wiring--Engine & Related Parts .....	Fig. 008-1205
<b>Wiring-Headlamp to Dash</b>	
Wiring--Headlamp / Dash Panel .....	Fig. 008-1305

**GROUP 8 - Electrical**

Illustration Title	Group-Fig. No.
<b>Wiring-Instrument Panel</b>	
Wiring Instrument Panel & Fuses .....	Fig. 008-1405
<b>Wiring-Body &amp; Accessories</b>	
Wiring--Body & Accessory .....	Fig. 008-1505
<b>Wiring Repair</b>	
Wiring Repair Packages .....	Fig. 008-1605
Power Distribution Center Repair .....	Fig. 008-1610
<b>Spark Plugs-Cables-Coils</b>	
Spark Plugs--Cables--Coil .....	Fig. 008-1905



**Starter  
Figure 008-105**



ITEM	PART NUMBER	QTY	LINE	SERIES	BODY	ENGINE	TRANS	TRIM	DESCRIPTION
EP0=2.5L Engine ER0=4.0L Engine DG0=Automatic Transmissions DBB=Manual Transmissions									
1									STARTER
	56041 012AB	1				ER0			
	56041 013AB	1				EP0	DG0		
	56041 013AC	1				EP0	DBB		
	56041 013AE	1				EP0			After 10/02/00
2	6503 699	1				ER0			SCREW AND WASHER, Hex Head, M10x1.5x28
3	J400 6192	1				ER0			BOLT AND WASHER, Hex Head, .375-16x1.75
4	4524 342	2							CLIP
5	6035 607	2				EP0	DBB		SCREW, Starter Motor
6	J324 1711	AR				EP0			SHIM, Starter Motor
7									NUT, [M5x0.80] Not Serviced ***, (NOT SERVICED) (Not Serviced)
8									NUT, [M8x1.25] Not Serviced ***, (NOT SERVICED) (Not Serviced)

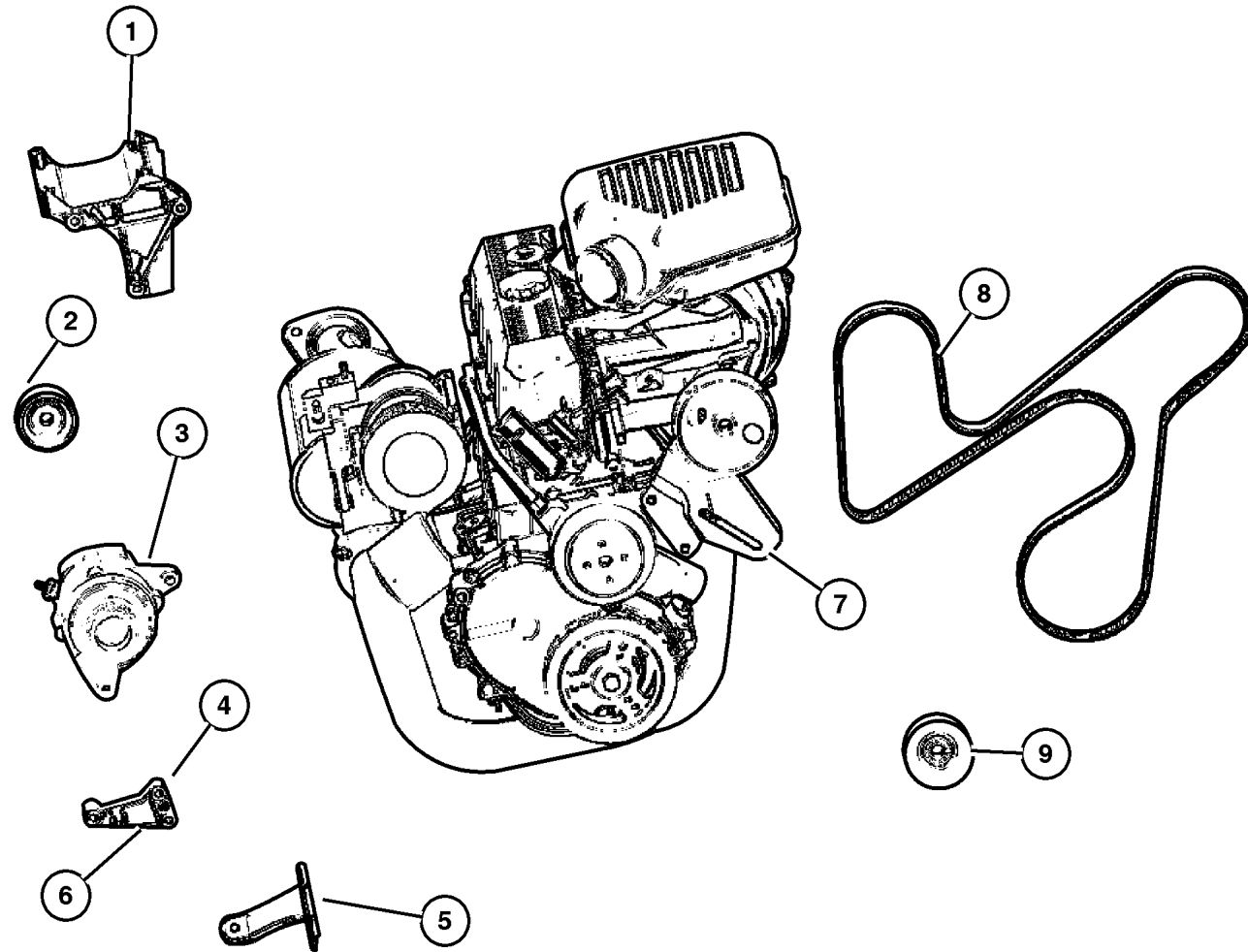
**JEEP WRANGLER (TJ)**

SERIES	LINE	BODY	ENGINE	TRANSMISSION
H = Sport	J = Wrangler 4WD	77 = 93.4 WB	EPE, EP0 = 2.5L Power Tech	DGG, DGD = 32RH 3 Spd. Auto.
L = SE	U = Wrangler 4WD (RHD)		ERH, ER0 = 4.0L Power Tech	DDQ = 5 Spd. Manual
P = Sahara				DDD = 5 Speed HD Manual
				DG0 = Auto. Trans.
				DBB = Manual Trans.

AR = Use as required - = Non illustrated part # = New this model year

September 16, 2005

## Alternator 2.5L Engine Figure 008-205



ITEM	PART NUMBER	QTY	LINE	SERIES	BODY	ENGINE	TRANS	TRIM	DESCRIPTION
EP0=2.5L Engine ERH=4.0L Power Tech Engine									
1									BRACKET, Alternator And Compressor
	53013 281AB	1	U			EP0			
	53010 224AB	1	J			EP0			
2	5301 0230	1				EP0			PULLEY, Idler
3									ALTERNATOR
	56005 684AC	1				EP0			81 AMP
	56028 686AA	1				EP0			117 AMP
4	5300 7604	1	J			EP0			BRACKET, Alternator, Rear Mounting
5	5300 7506	1	J			EP0			BRACKET, Alternator, Rear Mounting
6	5301 1275	1	U			EP0			BRACKET, Alternator, Lower Mounting
7	5301 0148	1				EP0			BRACKET, Tensioner
8	53013 209AC	1				ER0			BELT, Accessory Drive, Without Air Conditioning
9	4792 112	1				EP0			PULLEY, Idler
-10	6502 134	1				EP0			BOLT, Hex Flange Head, M10x1.50x110, Alternator Pivot Bolt
-11	6502 135	1	J			EP0			NUT, Hex Flange, M10x1.5, Alternator Pivot Bolt
-12	6502 136	1	J			EP0			BOLT, Hex Flange Head, M10x1.50x55, Alternator Rear Mounting Bracket
-13	6025 063	1	J			EP0			SCREW AND WASHER, .375-16x1.125, Alternator A/C Mounting Bracket
-14	6502 144	1	J			EP0			SCREW AND WASHER, Hex Head, M10x1.5x25, Alternator Brace
-15									BOLT, Hex Head, .375-16x2.50
	6033 949	1	J			EP0			Alternator Bracket to Front Cover
		2	U			EP0			Alternator Bracket to Front Cover

### JEEP WRANGLER (TJ)

SERIES  
H = Sport  
L = SE  
P = Sahara

LINE  
J = Wrangler 4WD  
U = Wrangler 4WD (RHD)

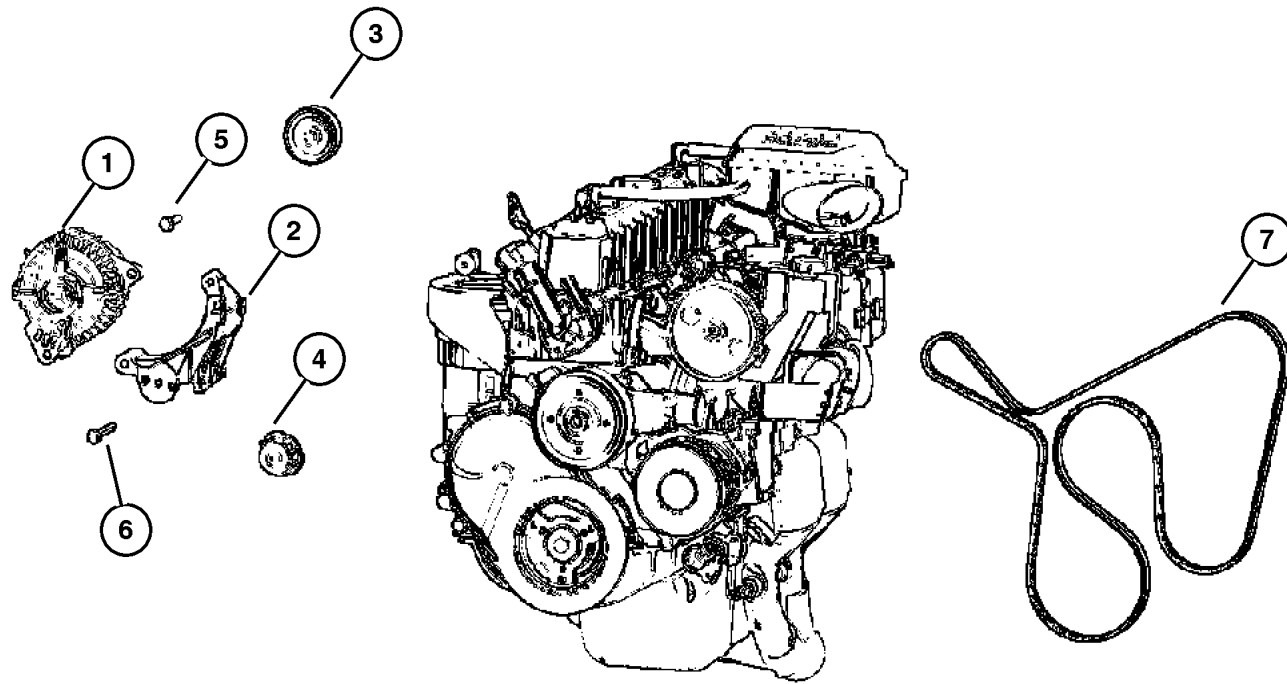
BODY  
77 = 93.4 WB

ENGINE  
EPE, EP0 = 2.5L Power Tech  
ERH, ER0 = 4.0L Power Tech

TRANSMISSION  
DGG, DGD = 32RH 3 Spd. Auto.  
DDQ = 5 Spd. Manual  
DDD = 5 Speed HD Manual  
DG0 = Auto. Trans.  
DBB = Manual Trans.

**Alternator 4.0L Engine  
Figure 008-210**

ITEM	PART NUMBER	QTY	LINE	SERIES	BODY	ENGINE	TRANS	TRIM	DESCRIPTION
[ER0]=4.0L Engine									
1	56041 864AA	1				ER0			ALTERNATOR
2	4854 026	1				ER0			BRACKET, Alternator
3	4854 089AB	1				ER0			TENSIONER, Alternator Belt
4	4854 092	1				ER0			PULLEY, Idler
5	0154 854AA	4				ER0			SCREW AND WASHER, Hex
6	6504 344	1				ER0			SCREW AND WASHER, Hex Head
7	53013 209AC	1				ER0			BELT, Accessory Drive

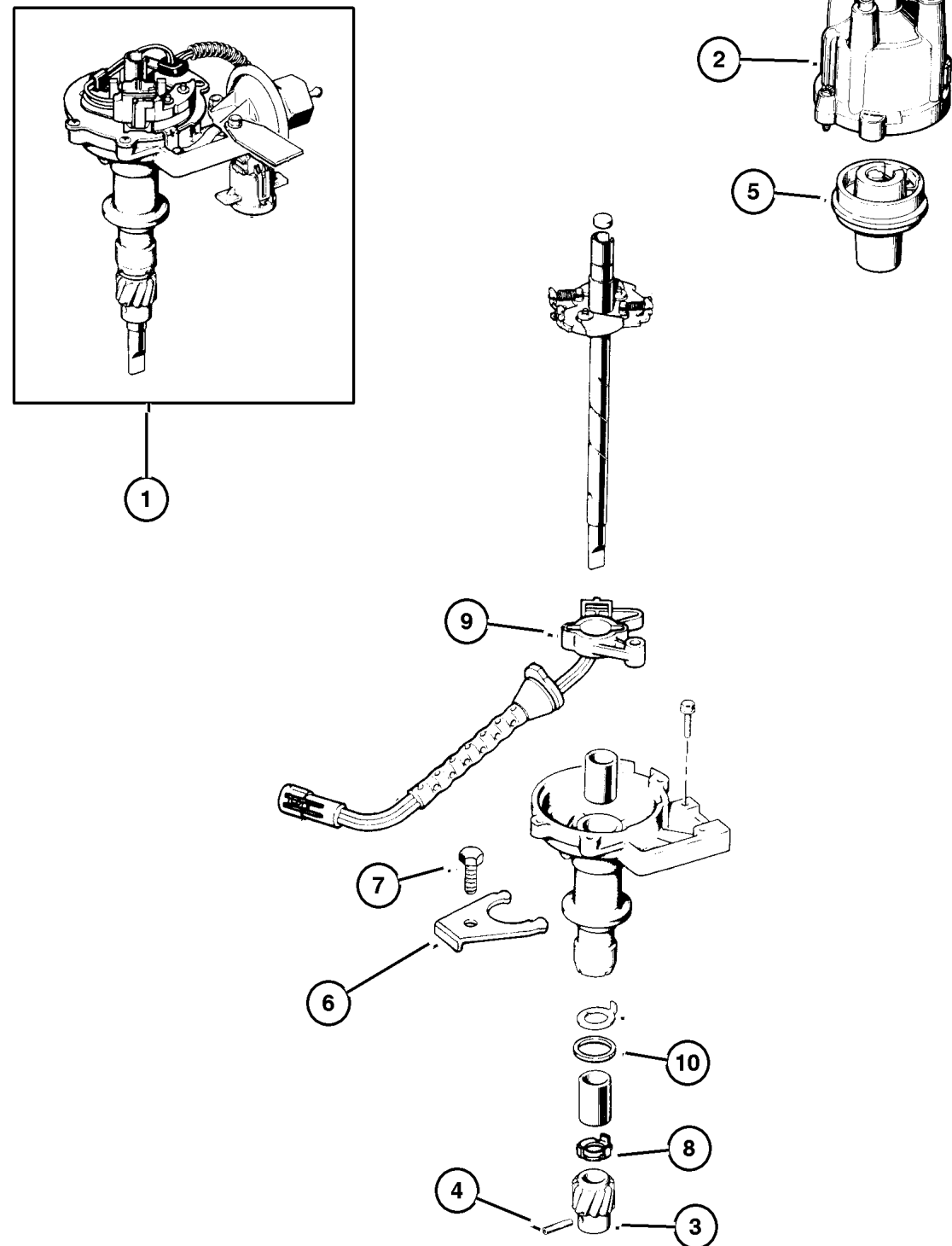


<b>JEEP WRANGLER (TJ)</b>				
SERIES	LINE	BODY	ENGINE	TRANSMISSION
H = Sport	J = Wrangler 4WD	77 = 93.4 WB	EPE, EP0 = 2.5L Power Tech	DGG, DGD = 32RH 3 Spd. Auto.
L = SE	U = Wrangler 4WD (RHD)		ERH, ER0 = 4.0L Power Tech	DDQ = 5 Spd. Manual
P = Sahara				DDD = 5 Speed HD Manual
				DG0 = Auto. Trans.
				DBB = Manual Trans.

AR = Use as required - = Non illustrated part # = New this model year

September 16, 2005

## Distributor 2.5L Engine Figure 008-305



ITEM	PART NUMBER	QTY	LINE	SERIES	BODY	ENGINE	TRANS	TRIM	DESCRIPTION
EP0=2.5L Engines									
ER0=4.0L Engines									
DGD=3 Speed Automatic Transmissions									
1	5604 1033	1				EP0			DISTRIBUTOR, Engine
2	53006 152AB	1				EP0			CAP, Distributor
3	8350 4635	1				EP0			GEAR, Distributor Drive
4	9422 127	1				EP0			ROLL PIN, .19x.75
5	5602 7019	1				EP0			ROTOR, Distributor
6	3300 4242	1				EP0			CLAMP, Distributor
7									BOLT, Hex Head, .25-28x1-5/8
	6033 479	6					DGD		
		6					DGG		
8	5300 9078	1				EP0			WASHER, Distributor Gear
9	5604 1030	1				EP0			SWITCHPLATE, Distributor
10	J318 1288	1				EP0			GASKET, Distributor

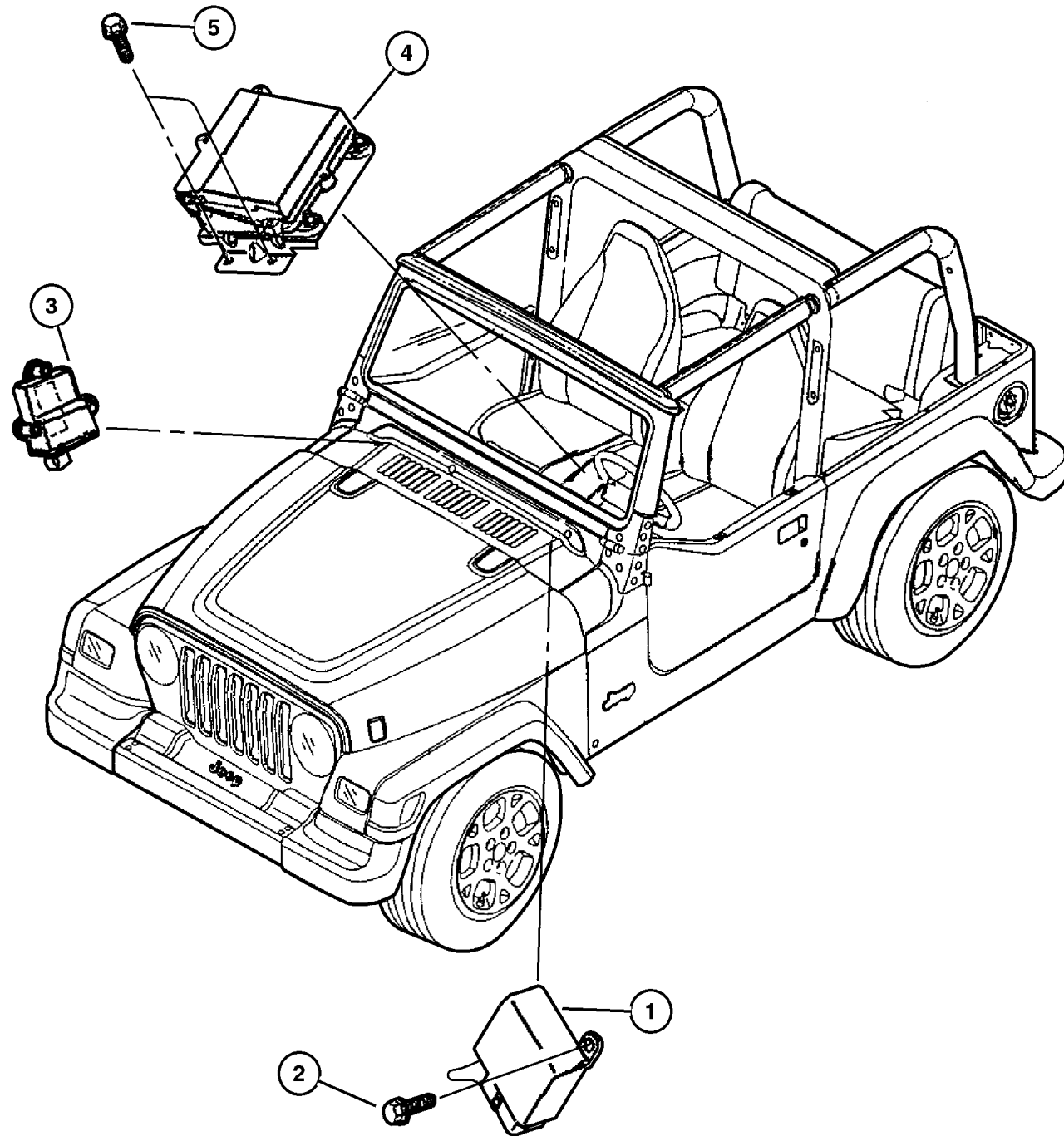
### JEEP WRANGLER (TJ)

SERIES	LINE	BODY	ENGINE	TRANSMISSION
H = Sport	J = Wrangler 4WD	77 = 93.4 WB	EPE, EP0 = 2.5L Power Tech	DGG, DGD = 32RH 3 Spd. Auto.
L = SE	U = Wrangler 4WD (RHD)		ERH, ER0 = 4.0L Power Tech	DDQ = 5 Spd. Manual
P = Sahara				DDD = 5 Speed HD Manual
				DG0 = Auto. Trans.
				DBB = Manual Trans.

AR = Use as required - = Non illustrated part # = New this model year

September 16, 2005

Modules  
Figure 008-405



ITEM	PART NUMBER	QTY	LINE	SERIES	BODY	ENGINE	TRANS	TRIM	DESCRIPTION
1	5600 4262	1							MODULE, Daytime Running Lamp, Daytime Running Lamp
2									SCREW, 250-14x.625 (Not Serviced) ***, (NOT SERVICED) (Not Serviced)
3	56010 209AB	1							MODULE, Immobilizer
4	56010 300AB	1							MODULE, Air Bag Control
5									SCREW, M6.3x1.81x20.00, (NOT SERVICED) (Not Serviced)

JEEP WRANGLER (TJ)			
SERIES	LINE	BODY	ENGINE
H = Sport	J = Wrangler 4WD	77 = 93.4 WB	EPE, EP0 = 2.5L Power Tech
L = SE	U = Wrangler 4WD (RHD)		ERH, ER0 = 4.0L Power Tech
P = Sahara			

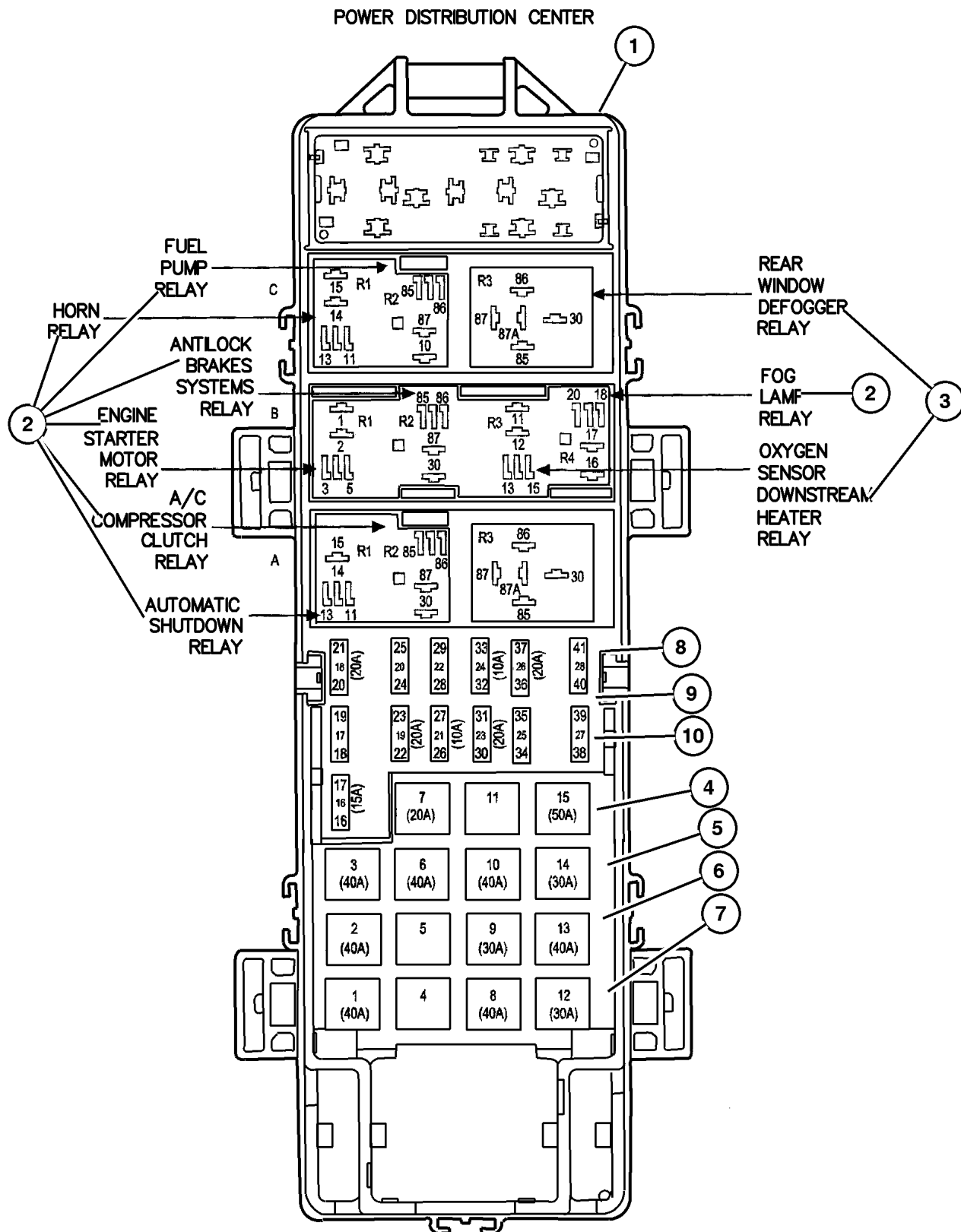
TRANSMISSION
DGG, DGD = 32RH 3 Spd. Auto.
DDQ = 5 Spd. Manual
DDD = 5 Speed HD Manual
DG0 = Auto. Trans.
DBB = Manual Trans.

AR = Use as required - = Non illustrated part # = New this model year

September 16, 2005

**Power Distribution Center Relays and Fuses**  
**Figure 008-505**

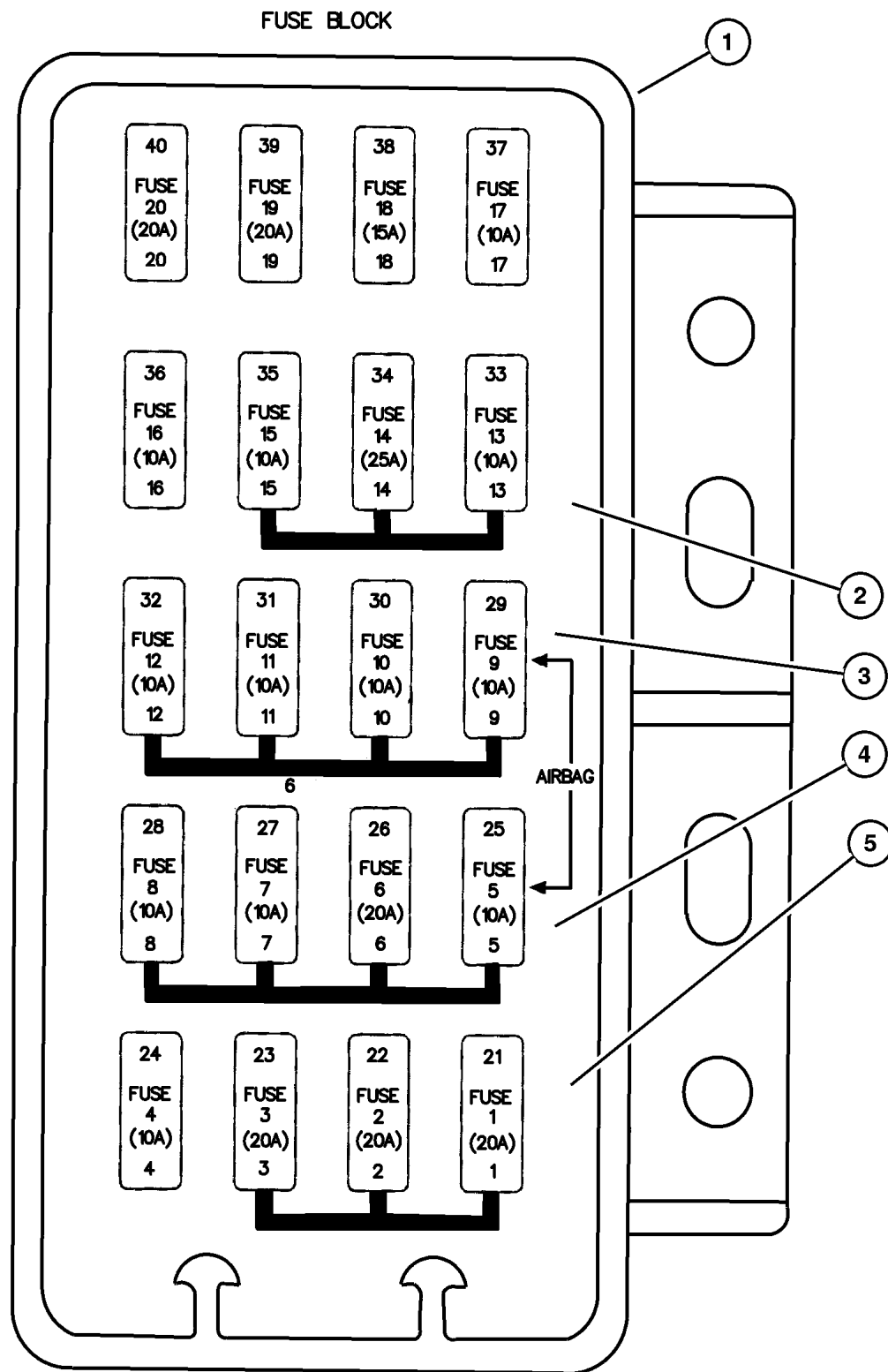
ITEM	PART NUMBER	QTY	LINE	SERIES	BODY	ENGINE	TRANS	TRIM	DESCRIPTION
1									POWER DISTRIBUTION CENTER, Served in Headlamp to Dash Harness, (NOT SERVICED) (Not Serviced)
2	4671 168	AR							RELAY, Mini
3	4638 094	1							RELAY PACKAGE, Electrical
4	6102 075AA	AR							FUSE CARTRIDGE, 20 Amp
5	6102 076AA	AR							FUSE CARTRIDGE, 30 Amp
6	6102 077AA	1							FUSE CARTRIDGE, 40 Amp
7	6102 078AA	AR							FUSE CARTRIDGE, 50 Amp
8	00AT M10	2							FUSE, Mini, 10 AMP, Red
9	6101 487	AR							FUSE, Mini, 15 AMP, Light Blue
10	00AT M20	1					DG0		FUSE, Mini, 20 AMP, Yellow
-11	5072 293AA-	1							COVER, Power Distribution Center Top
	56047 000AA-	1							Bottom
-12	4671 168	AR							RELAY, Mini, ABS Pump



**JEEP WRANGLER (TJ)**

SERIES	LINE	BODY	ENGINE	TRANSMISSION
H = Sport	J = Wrangler 4WD	77 = 93.4 WB	EPE, EP0 = 2.5L Power Tech	DGG, DGD = 32RH 3 Spd. Auto.
L = SE	U = Wrangler 4WD (RHD)		ERH, ER0 = 4.0L Power Tech	DDQ = 5 Spd. Manual
P = Sahara				DDD = 5 Speed HD Manual
				DG0 = Auto. Trans.
				DBB = Manual Trans.

Fuse Block Relays and Fuses  
Figure 008-510



ITEM	PART NUMBER	QTY	LINE	SERIES	BODY	ENGINE	TRANS	TRIM	DESCRIPTION
1									BLOCK, Fuse, Serviced in Cross Body Harness, (NOT SERVICED) (Not Serviced)
2	00AT M10	2							FUSE, Mini, 10 AMP, Red
3	6101 487	AR							FUSE, Mini, 15 AMP, Light Blue
4	6101 488	1							FUSE, Mini, 20 AMP, Yellow
5									FUSE, Mini, 25 Amp, Natural, ATM25, (NOT SERVICED) (Not Serviced)
-6	4671 168	AR							RELAY, Mini, ABS Pump

JEEP WRANGLER (TJ)

SERIES  
H = Sport  
L = SE  
P = Sahara

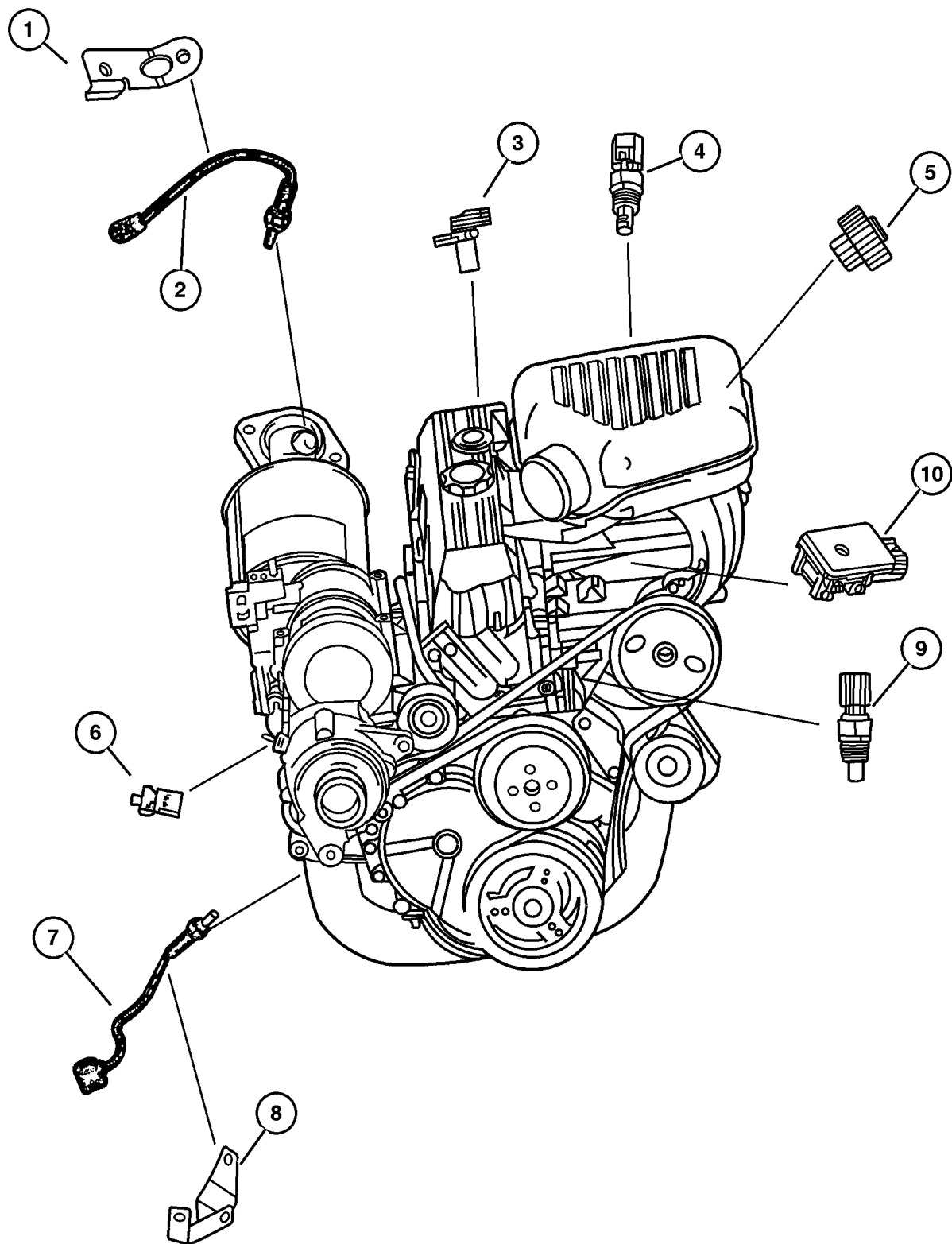
LINE  
J = Wrangler 4WD  
U = Wrangler 4WD (RHD)

BODY  
77 = 93.4 WB

ENGINE  
EPE, EP0 = 2.5L Power Tech  
ERH, ER0 = 4.0L Power Tech

TRANSMISSION  
DGG, DGD = 32RH 3 Spd. Auto.  
DDQ = 5 Spd. Manual  
DDD = 5 Speed HD Manual  
DG0 = Auto. Trans.  
DBB = Manual Trans.

## Sensors 2.5L Engine Figure 008-605



ITEM	PART NUMBER	QTY	LINE	SERIES	BODY	ENGINE	TRANS	TRIM	DESCRIPTION
EP0=2.5L Engine									
DBB= Manual Transmission									
DG0=Automatic Transmission									
DGG= Automatic Transmission 3 Speed									
DGD=Automatic Transmission 3 Speed									
DGK=Manual Transmission 5 Speed Heavy Duty									
1	5604 1069	1				EP0			BRACKET, Oxygen Sensor
2	56041 846AA	1				EP0			SENSOR, Oxygen, After Catalyst
3	56027 865AB	1				EP0			SENSOR, Crankshaft Position
4	5602 7872	1				EP0,			SENSOR, Air Temperature
						ER0			
5	4874 371AC	1				EP0			SENSOR, Throttle Position
6	56028 807AA	1				EP0,			SENDING UNIT, Oil Pressure
						ER0			
7	56041 944AA	1				EP0			SENSOR, Oxygen, Before Catalyst
8	5604 1069	1				EP0			BRACKET, Oxygen Sensor
9	5602 7873	1				EP0,			SENSOR, Coolant Temperature
						ER0			
10	5602 9405	1				EP0,			SENSOR, Map
						ER0			
-11	3420 2536	2				EP0	DGD		STUD, .312-18x2.26, Crank Sensor Mounting

### JEEP WRANGLER (TJ)

SERIES	LINE	BODY	ENGINE	TRANSMISSION
H = Sport	J = Wrangler 4WD	77 = 93.4 WB	EPE, EP0 = 2.5L Power Tech	DGG, DGD = 32RH 3 Spd. Auto.
L = SE	U = Wrangler 4WD (RHD)		ERH, ER0 = 4.0L Power Tech	DDQ = 5 Spd. Manual
P = Sahara				DDD = 5 Speed HD Manual
				DG0 = Auto. Trans.
				DBB = Manual Trans.

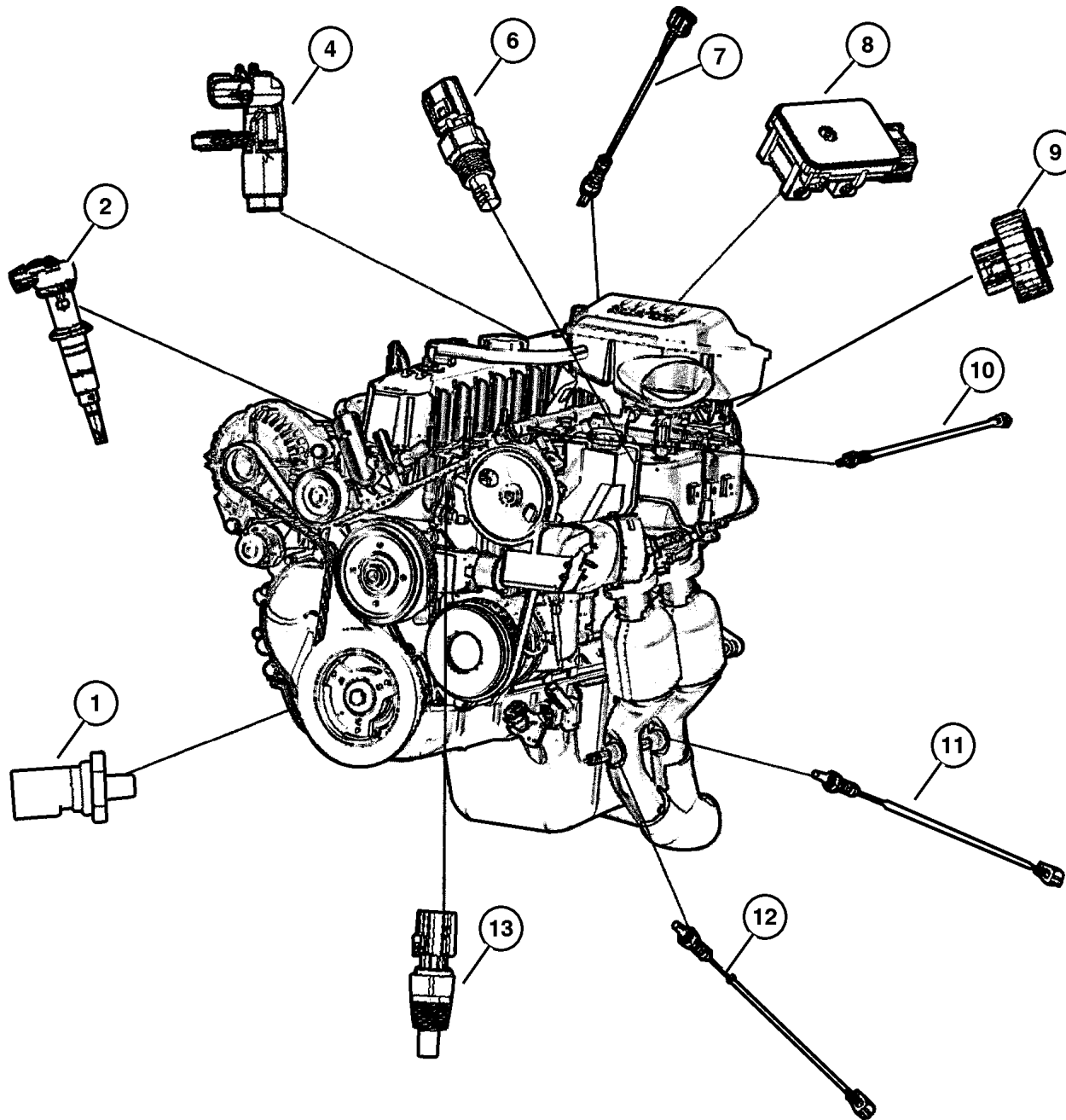
AR = Use as required - = Non illustrated part # = New this model year

September 16, 2005



**Sensors 4.0L Engine  
Figure 008-610**

ITEM	PART NUMBER	QTY	LINE	SERIES	BODY	ENGINE	TRANS	TRIM	DESCRIPTION
[ER0]=All 4.0L Engine									
[DG0]=All Automatic Transmissions									
1	56028 807AA	1				EP0, ER0			SENDING UNIT, Oil Pressure
2	4897 023AA	1				ER0			SENSOR, Camshaft
-3	5083 881AA-	1				ER0			DRIVE, OIL PUMP
4	4897 321AA	1				ER0	DG0		SENSOR PACKAGE, Crankshaft Position
-5	56027 865AB-	1				ER0	DBB		SENSOR, Crankshaft Position
6	5602 7872	1				EP0, ER0			SENSOR, Air Temperature
7									SENSOR, Oxygen Before Catalyst front
	56041 943AA	1				ER0			Before Catalyst Export
	56041 887AA	1				ER0			SENSOR, Map
8	5602 9405	1				EP0, ER0			
9	4874 371AC	1				ER0			SENSOR, Throttle Position
10	56041 944AA	1				ER0			SENSOR, Oxygen, Before Catalyst rear
11									SENSOR, Oxygen After Catalyst Export
	56041 846AA	1				ER0			After Catalyst Front
	56041 847AA	1				ER0			SENSOR, Oxygen, After Catalyst rear
12	56041 848AA	1				ER0			
13	5602 7873	1				EP0, ER0			SENSOR, Coolant Temperature



**JEEP WRANGLER (TJ)**

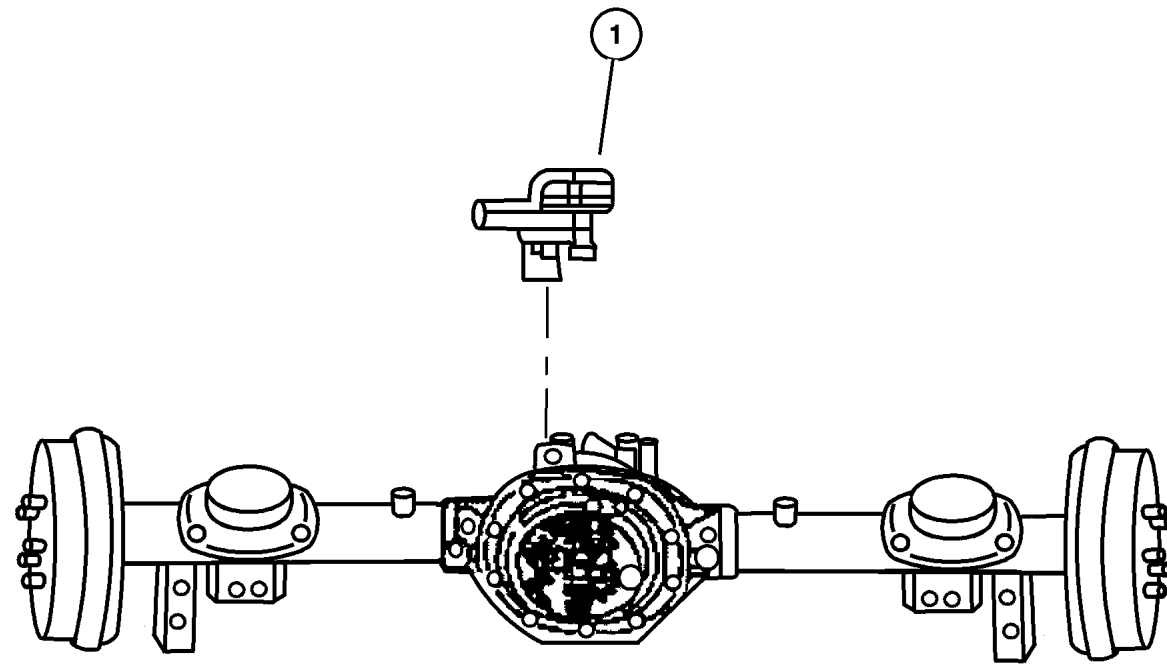
SERIES	LINE	BODY	ENGINE	TRANSMISSION
H = Sport	J = Wrangler 4WD	77 = 93.4 WB	EPE, EP0 = 2.5L Power Tech	DGG, DGD = 32RH 3 Spd. Auto.
L = SE	U = Wrangler 4WD (RHD)		ERH, ER0 = 4.0L Power Tech	DDQ = 5 Spd. Manual
P = Sahara				DDD = 5 Speed HD Manual
				DG0 = Auto. Trans.
				DBB = Manual Trans.

AR = Use as required - = Non illustrated part # = New this model year

September 16, 2005

Sensors Drivetrain  
Figure 008-615

ITEM	PART NUMBER	QTY	LINE	SERIES	BODY	ENGINE	TRANS	TRIM	DESCRIPTION
1	5602 7905	1							SENSOR, Vehicle Speed



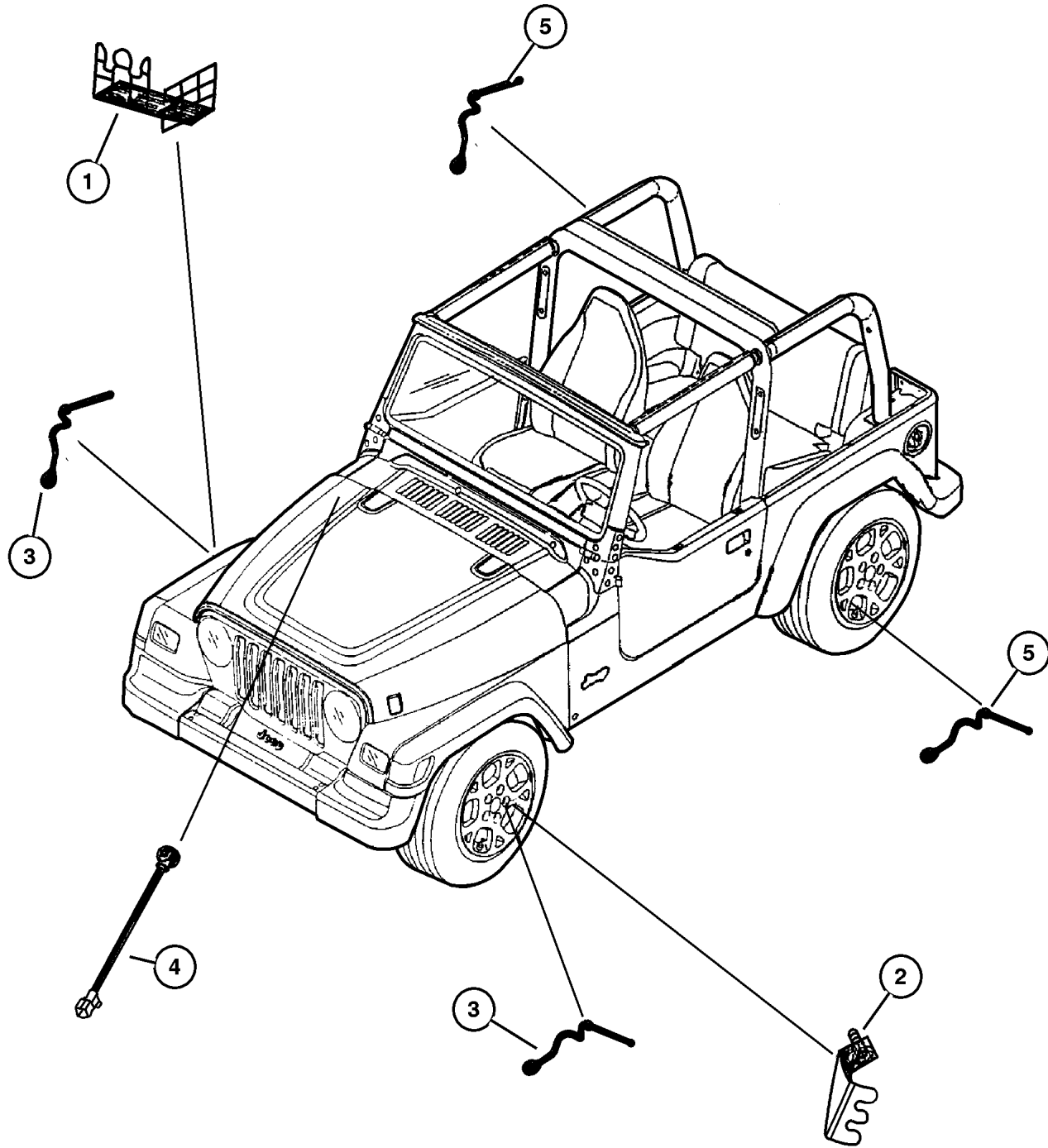
**JEEP WRANGLER (TJ)**  
 SERIES LINE BODY ENGINE TRANSMISSION  
 H = Sport J = Wrangler 4WD 77 = 93.4 WB EPE, EP0 = 2.5L Power Tech DGG, DGD = 32RH 3 Spd. Auto.  
 L = SE U = Wrangler 4WD (RHD) ERH, ER0 = 4.0L Power Tech DDQ = 5 Spd. Manual  
 P = Sahara DDD = 5 Speed HD Manual  
 DG0 = Auto. Trans.  
 DBB = Manual Trans.

AR = Use as required - = Non illustrated part # = New this model year

September 16, 2005

**Sensors Body  
Figure 008-620**

ITEM	PART NUMBER	QTY	LINE	SERIES	BODY	ENGINE	TRANS	TRIM	DESCRIPTION
1	5200 8919	1							BRACKET, ABS Sensor
2	5200 8920	1							BRACKET, ABS Sensor
3	5602 7727	2	J						SENSOR, Anti-Lock Brakes
4	5602 7332	1							SENSOR, Battery Temperature
5									SENSOR, Anti-Lock Brakes
	5602 7728	1	J						Right
	5602 7729	1	J						Left

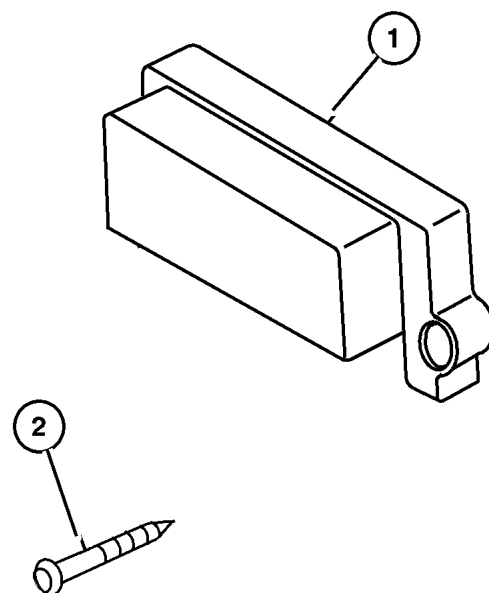


<b>JEEP WRANGLER (TJ)</b>				
SERIES	LINE	BODY	ENGINE	TRANSMISSION
H = Sport	J = Wrangler 4WD	77 = 93.4 WB	EPE, EP0 = 2.5L Power Tech	DGG, DGD = 32RH 3 Spd. Auto.
L = SE	U = Wrangler 4WD (RHD)		ERH, ER0 = 4.0L Power Tech	DDQ = 5 Spd. Manual
P = Sahara				DDD = 5 Speed HD Manual
				DG0 = Auto. Trans.
				DBB = Manual Trans.

AR = Use as required - = Non illustrated part # = New this model year

September 16, 2005

**Single Board Engine Controllers (JTEC Module)  
Figure 008-705**



ITEM	PART NUMBER	QTY	LINE	SERIES	BODY	ENGINE	TRANS	TRIM	DESCRIPTION
EP0=2.5L Engine									
ER0=4.0L Engine									
DG0=Automatic Transmission									
DGG= Automatic Transmission 3 Speed									
DGD=Automatic Transmission 3 Speed									
DBB= Manual Transmission									
1									MODULE, Powertrain Control
	56041 733AA	1				EP0	DBB		w/European III Emission
	56041 734AA	1				EP0	DBB		w/U.S. 50 States Emission
	56041 736AA	1				EP0	DBB		w/Leaded Fuel Emission
	56041 738AA	1				EP0	DG0		w/U.S. 50 States Emission
	56041 741AA	1				ER0	DBB		w/U.S. 50 States Emission
	56041 743AA	1				ER0	DBB		w/European III Emission
	56041 744AA	1				ER0	DBB		w/Leaded Fuel Emission
	56041 746AA	1				ER0	DG0		w/U.S. 50 States Emission
	56041 748AA	1				ER0	DG0		w/European III Emission
	56041 749AA	1				ER0	DG0		w/Leaded Fuel Emission
2									SCREW, 0.190-16x1.75, (NOT SERVICED) (Not Serviced)
-3									COVER, Module, (NOT SERVICED) (Not Serviced)

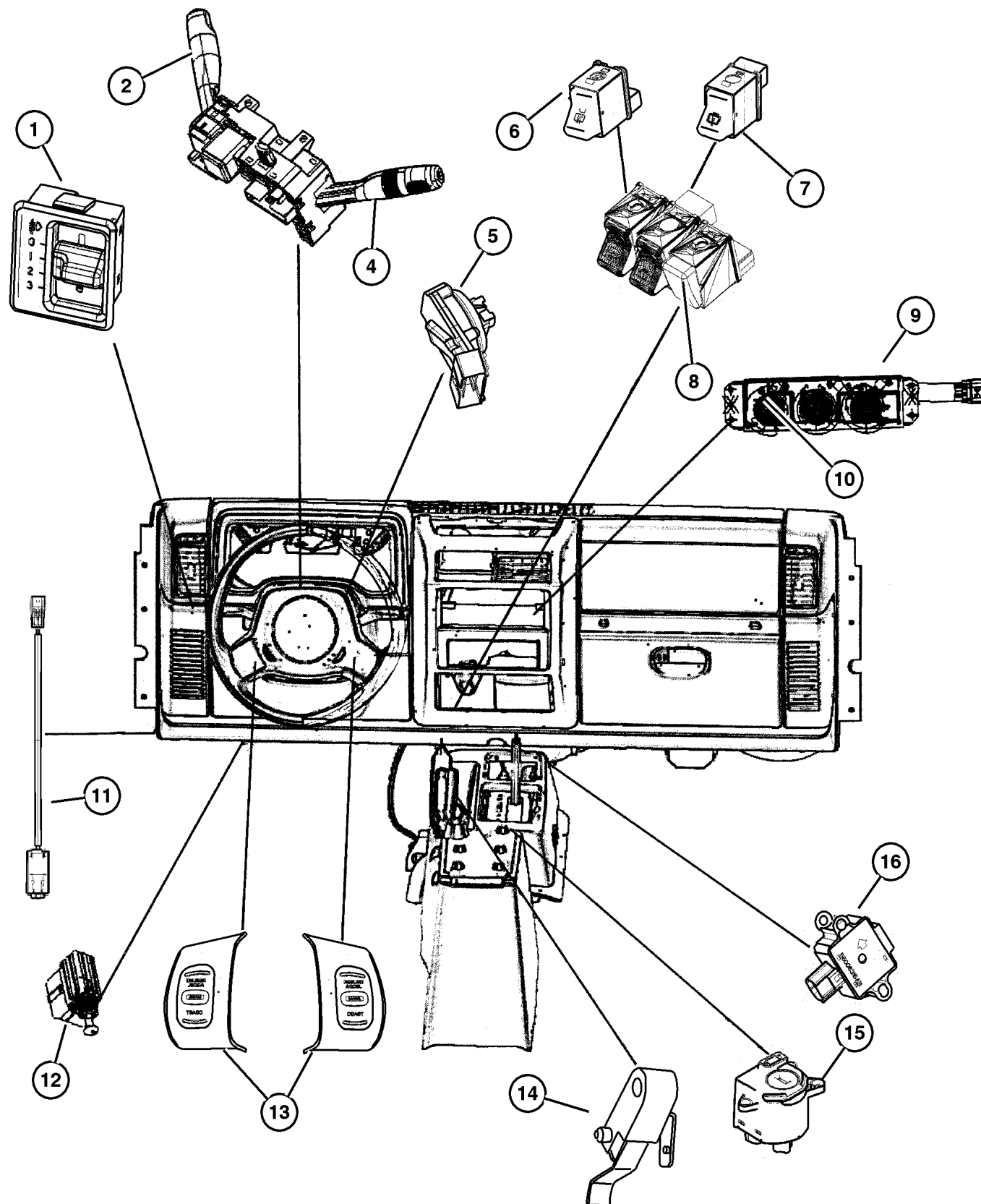
**JEEP WRANGLER (TJ)**

SERIES	LINE	BODY	ENGINE	TRANSMISSION
H = Sport	J = Wrangler 4WD	77 = 93.4 WB	EPE, EP0 = 2.5L Power Tech	DGG, DGD = 32RH 3 Spd. Auto.
L = SE	U = Wrangler 4WD (RHD)		ERH, ER0 = 4.0L Power Tech	DDQ = 5 Spd. Manual
P = Sahara				DDD = 5 Speed HD Manual
				DG0 = Auto. Trans.
				DBB = Manual Trans.

AR = Use as required - = Non illustrated part # = New this model year

September 16, 2005

## Switches Instrument Panel and Console Figure 008-805



ITEM	PART NUMBER	QTY	LINE	SERIES	BODY	ENGINE	TRANS	TRIM	DESCRIPTION
EP0=2.5L Engine									
ER0=4.0L Engine									
DG0=Automatic Transmission									
DDD=Manual Transmission 5 Speed									
DDQ=Manual Transmission 5 Speed (Heavy Duty)									
DBB= Manual Transmission									
1	56009 640AB	1							SWITCH, Headlamp Leveling
2									SWITCH, Multifunction, Left Stalk Includes Interior Lights, Exterior Lights (High/Low) & Turn Signal Controls
	5016 708AA	1							w/o Foglamp
	5016 709AA	1							w/Front Foglamp
	5016 710AA	1							w/Rear Foglamp (Europe)
-3	6036 075AA-	2							SCREW, Pan Head, Multi-Function Switch Mounting
4	5016 711AA	1							SWITCH, Intermittent Wiper, Right Stalk Includes Windshield Washer & Wiper Functions
5									SWITCH, Ignition
	4793 576	1					DG0		
		1					DBB		
6	5600 7250	1							SWITCH, Electric Back Light
7	5600 7249	1							SWITCH, Wiper and Washer, Rear
8	5600 7329	1							PLUG, Switch Opening
9									SWITCH, A/C and Heater Vacuum
	5013 832AA	1							[HC0]
	5013 833AA	1							[HA0]
10	5011 214AA	1							SWITCH, Blower Control
11									SWITCH, Clutch Starter Interlock
	5600 9047	1		J			DBB		
		1		U			DBB		
12	4671 336	1							SWITCH, Stop Lamp
13									SWITCH, Speed Control
	56007 530AD	1							Right
	56007 531AD	1							Left
14	5212 7960	1							SWITCH, Parking Brake
15	56010 301AA	1		J					SWITCH, Passenger Airbag Disarm
16	56006 315AB	1							SWITCH, Anti Lock Brake Accelarat
-17	55315 026AB-	1							WATERSHIELD, Switch, Right, Multi - Function Switch
-18	55315 027AB-	1							WATERSHIELD, Switch, Left, Multi - Function Switch

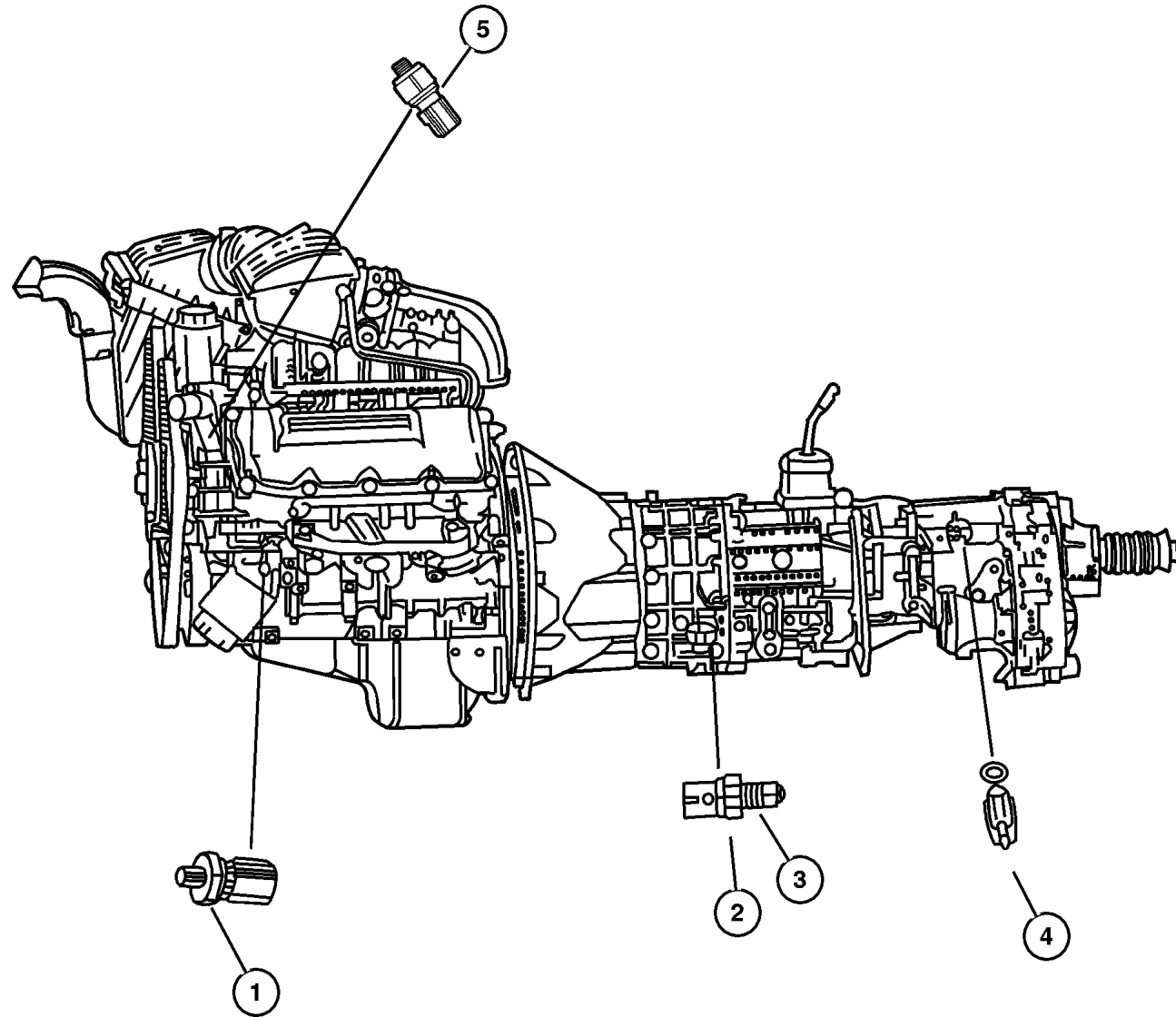
### JEEP WRANGLER (TJ)

SERIES	LINE	BODY	ENGINE	TRANSMISSION
H = Sport	J = Wrangler 4WD	77 = 93.4 WB	EPE, EP0 = 2.5L Power Tech	DGG, DGD = 32RH 3 Spd. Auto.
L = SE	U = Wrangler 4WD (RHD)		ERH, ER0 = 4.0L Power Tech	DDQ = 5 Spd. Manual
P = Sahara				DDD = 5 Speed HD Manual
				DG0 = Auto. Trans.
				DBB = Manual Trans.

AR = Use as required - = Non illustrated part # = New this model year

September 16, 2005

Switches Drivetrain  
Figure 008-810



ITEM	PART NUMBER	QTY	LINE	SERIES	BODY	ENGINE	TRANS	TRIM	DESCRIPTION
[EP0] = 2.5L Engine									
[ER0] = 4.0L Engine									
[DBB] = Manual Transmission									
[DGG] = 3 Speed Automatic Transmission									
[DGD] = 3 Speed Automatic Transmission									
[DDD] = 5 Speed Manual Transmission									
1	56028 807AA	1				EP0, ER0			SENDING UNIT, Oil Pressure
2	56028 181AB	1					DGG		SWITCH, Neutral, Safety, Back Up
3	8350 0629	1				EP0	DDQ		SWITCH, Back Up Lamp
4	J813 4473	1				EP0, ER0	DG0		SWITCH, Transfer Case Mode
5	56027 906AB	1	U			EP0			SWITCH, Power Steering

JEEP WRANGLER (TJ)

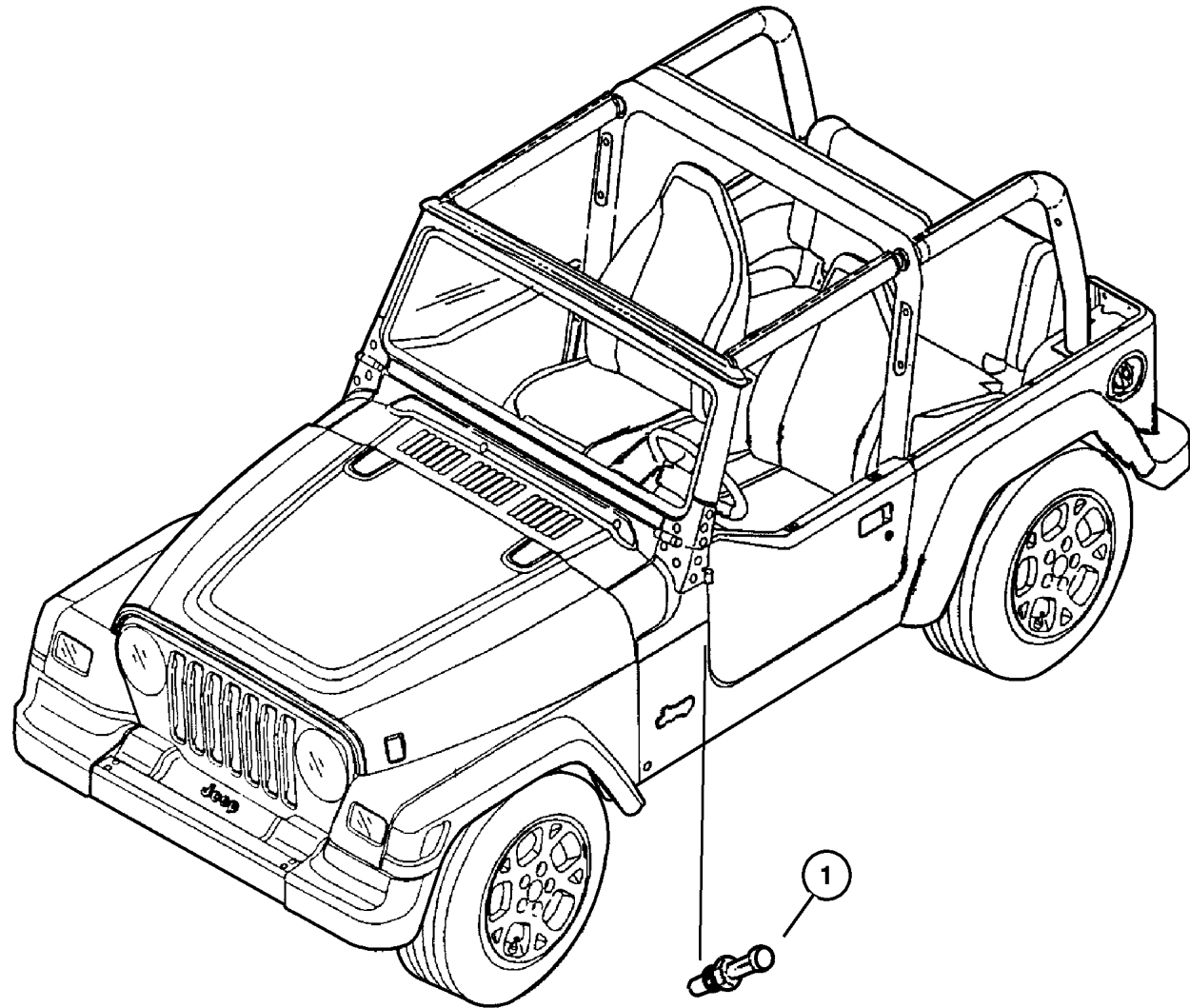
SERIES	LINE	BODY	ENGINE	TRANSMISSION
H = Sport	J = Wrangler 4WD	77 = 93.4 WB	EPE, EP0 = 2.5L Power Tech	DGG, DGD = 32RH 3 Spd. Auto.
L = SE	U = Wrangler 4WD (RHD)		ERH, ER0 = 4.0L Power Tech	DDQ = 5 Spd. Manual
P = Sahara				DDD = 5 Speed HD Manual
				DG0 = Auto. Trans.
				DBB = Manual Trans.

AR = Use as required - = Non illustrated part # = New this model year

September 16, 2005

Switches Body  
Figure 008-815

ITEM	PART NUMBER	QTY	LINE	SERIES	BODY	ENGINE	TRANS	TRIM	DESCRIPTION
1	4687 558	2							SWITCH, Door Ajar



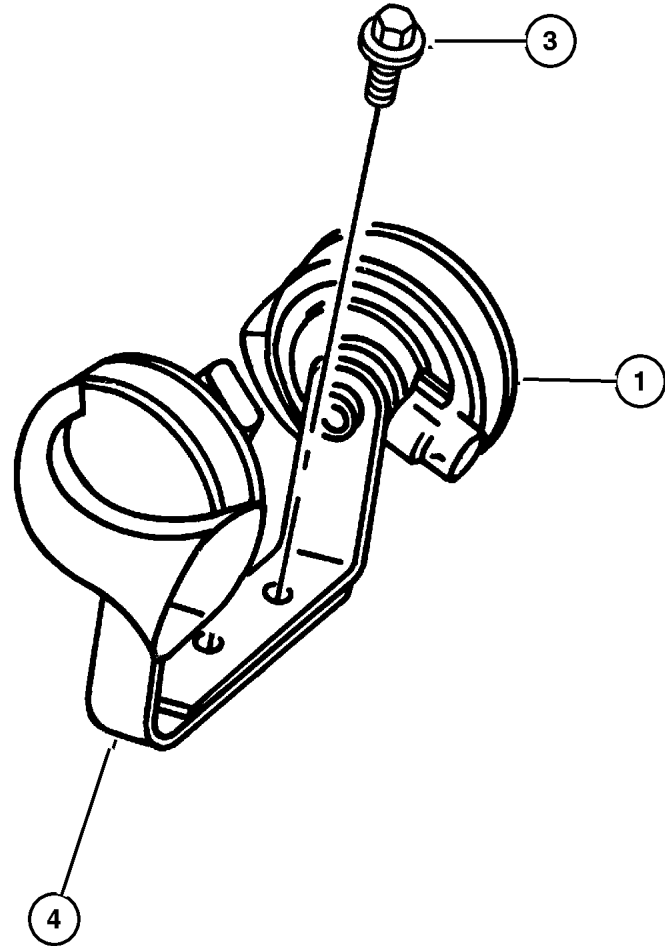
<b>JEEP WRANGLER (TJ)</b>				
SERIES	LINE	BODY	ENGINE	TRANSMISSION
H = Sport	J = Wrangler 4WD	77 = 93.4 WB	EPE, EP0 = 2.5L Power Tech	DGG, DGD = 32RH 3 Spd. Auto.
L = SE	U = Wrangler 4WD (RHD)		ERH, ER0 = 4.0L Power Tech	DDQ = 5 Spd. Manual
P = Sahara				DDD = 5 Speed HD Manual
				DG0 = Auto. Trans.
				DBB = Manual Trans.

AR = Use as required - = Non illustrated part # = New this model year

September 16, 2005

## Horns Figure 008-905

ITEM	PART NUMBER	QTY	LINE	SERIES	BODY	ENGINE	TRANS	TRIM	DESCRIPTION
1	56009 769AB	1							HORN, Duel
-2	56009 768AC-	1							HORN, High Note, (EUROPE)
3	6502 767	1							SCREW, Tap, M8x1.25x22
4									BRACKET, Horn Mounting (Serviced In Assembly Item # 1), (NOT SERVICED) (Not Serviced)



<b>JEEP WRANGLER (TJ)</b>				
SERIES	LINE	BODY	ENGINE	TRANSMISSION
H = Sport	J = Wrangler 4WD	77 = 93.4 WB	EPE, EP0 = 2.5L Power Tech	DGG, DGD = 32RH 3 Spd. Auto.
L = SE	U = Wrangler 4WD (RHD)		ERH, ER0 = 4.0L Power Tech	DDQ = 5 Spd. Manual
P = Sahara				DDD = 5 Speed HD Manual
				DG0 = Auto. Trans.
				DBB = Manual Trans.

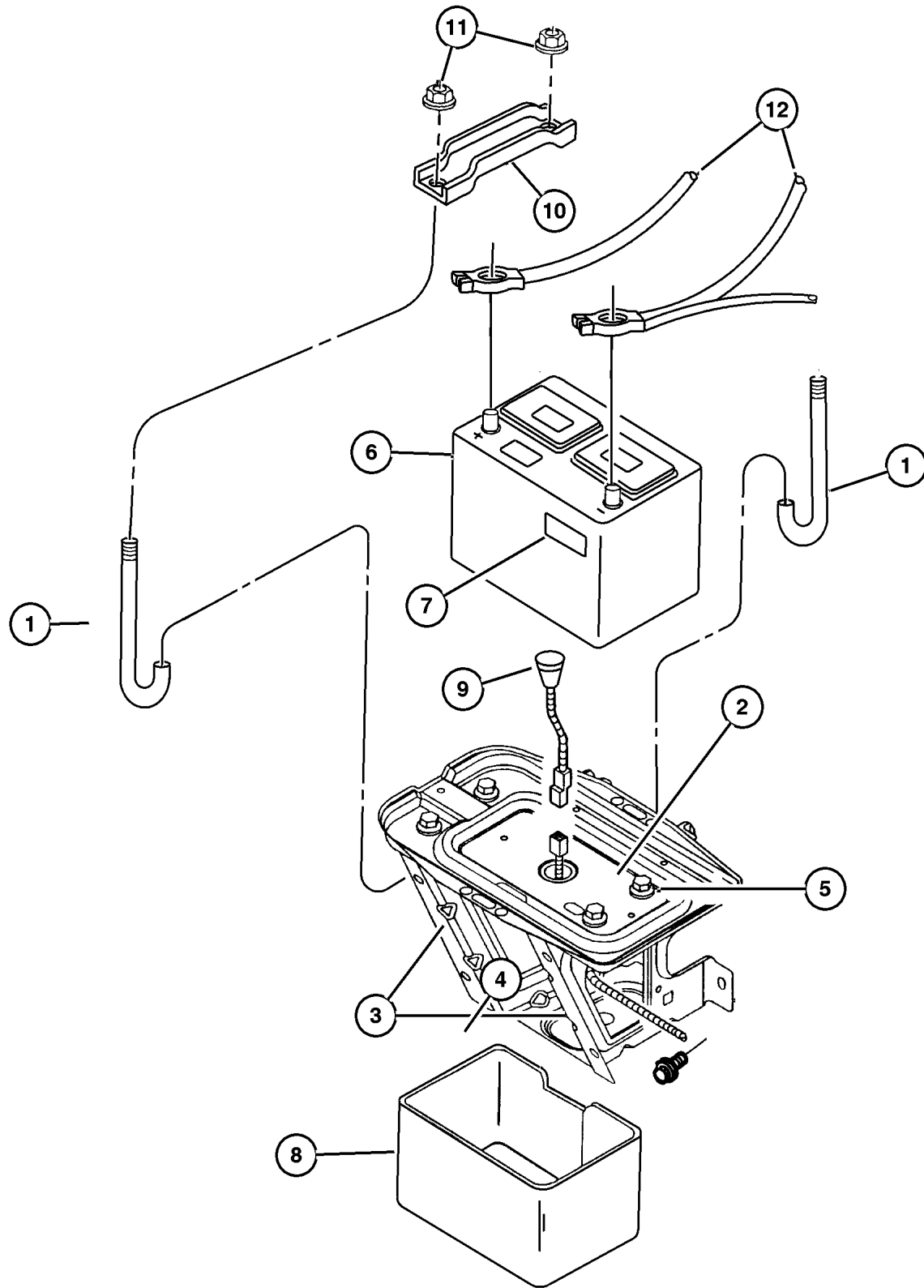
AR = Use as required - = Non illustrated part # = New this model year

September 16, 2005



**Battery Tray & Cables**  
**Figure 008-1005**

ITEM	PART NUMBER	QTY	LINE	SERIES	BODY	ENGINE	TRANS	TRIM	DESCRIPTION
EP0=2.5L Engine									
ER0=4.0L Engine									
1	5502 6434	2							ROD, Battery
2	5517 4728	1							TRAY, Battery
3									REINFORCEMENT, Battery Tray
	55174 782AC	1							Right
	55174 783AC	1							Left
4	6100 583	4							BOLT AND CONED WASHER, Hex Head, M8x25x20
5	0180 077	1							BOLT, Hex Head, 5/16x18x3/4
6									BATTERY, See MOPAR Battery Catalog), (NOT SERVICED) (Not Serviced)
7	4793 062	1				EP0, ER0			LABEL, Battery
8	56027 073AB	1				EP0, ER0			COVER, Battery
9	5602 7332	1							SENSOR, Battery Temperature
10	5501 4361	1							BRACKET, Battery Hold Down
11	6025 007	2							NUT AND WASHER, Hex, .312-18
12									WIRING, Battery
	56041 445AE	1	J			EP0			
	56041 446AE	1	J			ER0			
	56041 447AE	1	U			EP0			
	56041 448AE	1	U			ER0			
-13	55176 426AB-	1							PROTECTOR, Wiring
-14	4641 780	1							STRAP, Tie



**JEEP WRANGLER (TJ)**

SERIES  
H = Sport  
L = SE  
P = Sahara

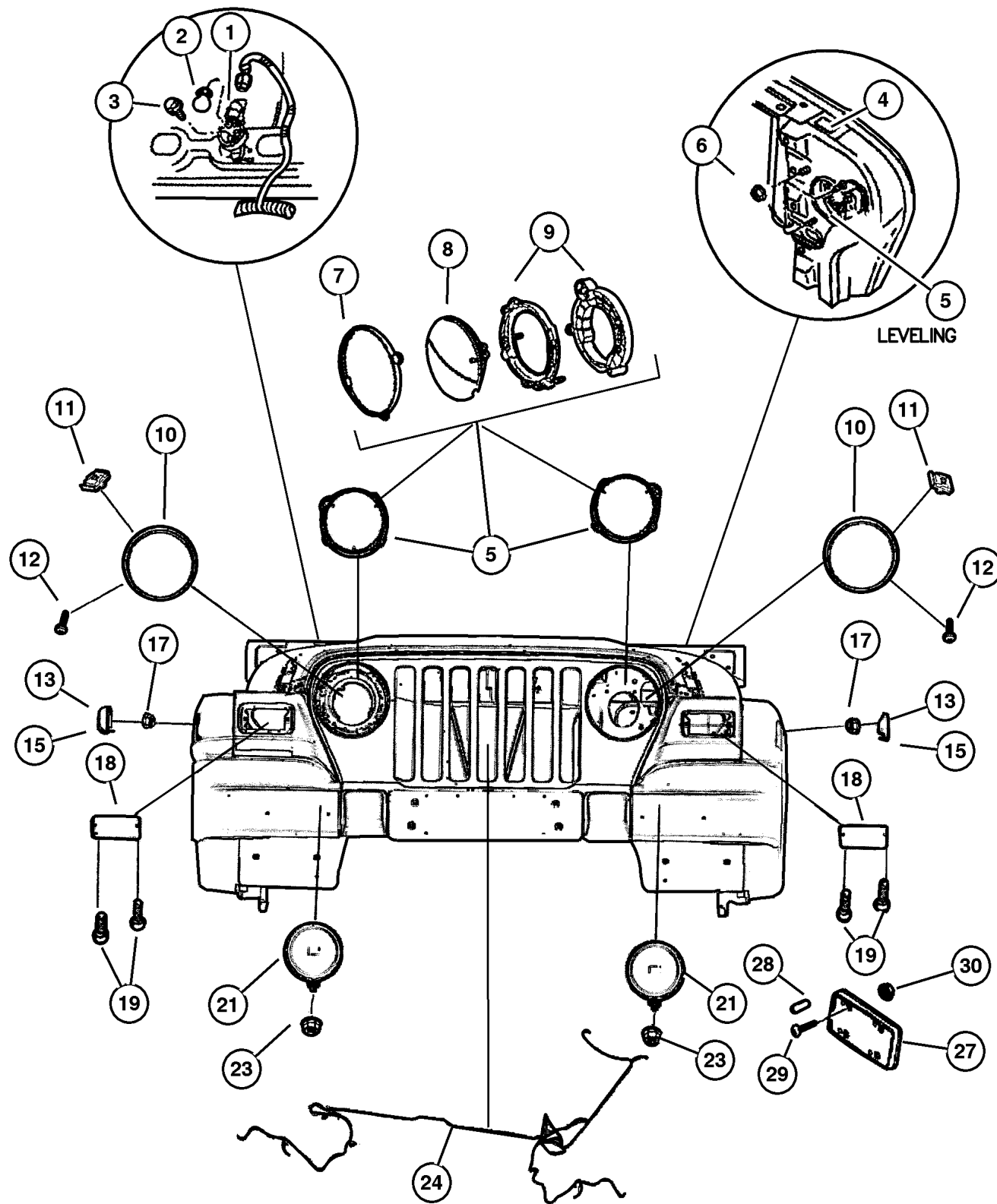
LINE  
J = Wrangler 4WD  
U = Wrangler 4WD (RHD)

BODY  
77 = 93.4 WB

ENGINE  
EPE, EP0 = 2.5L Power Tech  
ERH, ER0 = 4.0L Power Tech

TRANSMISSION  
DGG, DGD = 32RH 3 Spd. Auto.  
DDQ = 5 Spd. Manual  
DDD = 5 Speed HD Manual  
DG0 = Auto. Trans.  
DBB = Manual Trans.

Lamps Front  
Figure 008-1105



ITEM	PART NUMBER	QTY	LINE	SERIES	BODY	ENGINE	TRANS	TRIM	DESCRIPTION
1	5602 1441	1							LAMP, Underhood
2	L000 0561	1							BULB, 561, Underhood Lamp
3									SCREW, 0.190-16x.625, (NOT SERVICED) (Not Serviced)
4	5263 188	1							LABEL, Headlamp Leveling, H/Lamp Leveling System (AUSTRALIA, SOUTH AFRICA, SOUTH KOREA, UNITED KINGDOM, UNITED KINGDOM MARKET PACKAGE)
5									HEADLAMP
	55055 036AD	1	J						Without Leveling (Europe), Right
	55055 037AD	1	J						Without Leveling (Europe), Left
	55055 038AD	1	U						Without Leveling (Europe), Right
	55055 039AD	1	U						Without Leveling (Europe), Left
	55055 040AD	1	J						With Leveling (Europe), Right
	55055 041AD	1	J						With Leveling (Europe), Left
	55055 250AD	1	U						With Leveling (Europe), Right
	55055 251AD	1	U						With Leveling (Europe), Left
	4874 379	1	J						Europe (Qty. 02)
	4874 380	1	U						Europe (Qty. 02)
	55055 032AD	1	J						7" Round, Right
	55055 033AD	1	J						7" Round, Left
6	6101 443	6							NUT AND WASHER, Hex, M5x.80
7									RETAINER, Headlamp Bulb
	4874 378	1	J						
		1	U						
8	0154 905AA	1	J						BULB, H6024BL, Sealed Beam
9									SEAT, Headlamp, Serviced in Item 5
									Headlamp, (NOT SERVICED) (Not Serviced)
10									BEZEL, Headlamp
	5505 5046	1							Chrome, Right
	5505 5047	1							Chrome, Left
11	J400 0141	4							NUT, Square, .286x.355, Right or Left
12	6035 977AA	4							SCREW, Tapping, .164-18x.625
13									LAMP, Side Marker
	55155 628AB	1	J						Right
	55155 629AB	1	J						Left
-14	5288 612	2							SOCKET, Side Marker
15									LAMP, Side Repeater
	55155 460AB	1							Right
	55155 461AB	1							Left

JEEP WRANGLER (TJ)

SERIES  
H = Sport  
L = SE  
P = Sahara

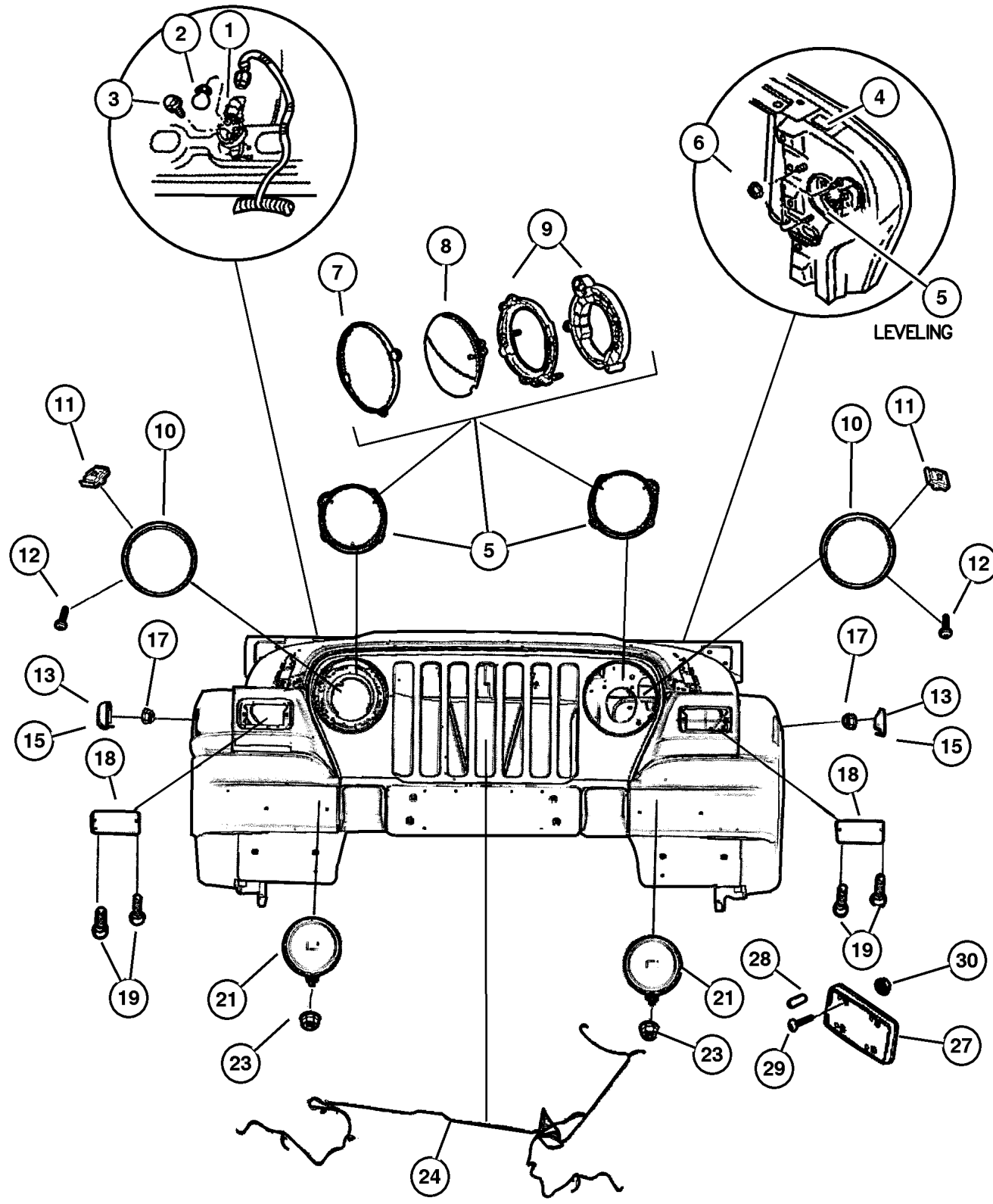
LINE  
J = Wrangler 4WD  
U = Wrangler 4WD (RHD)

BODY  
77 = 93.4 WB

ENGINE  
EPE, EP0 = 2.5L Power Tech  
ERH, ER0 = 4.0L Power Tech

TRANSMISSION  
DGG, DGD = 32RH 3 Spd. Auto.  
DDQ = 5 Spd. Manual  
DDD = 5 Speed HD Manual  
DG0 = Auto. Trans.  
DBB = Manual Trans.

# Lamps Front Figure 008-1105



ITEM	PART NUMBER	QTY	LINE	SERIES	BODY	ENGINE	TRANS	TRIM	DESCRIPTION
-16	0153 624	2							BULB, W3W, Side Repeater or Side Marker
17									NUT, (NOT SERVICED) (Not Serviced)
18									LAMP, Park and Turn Signal
	55156 489AB	1							Left
	55156 488AB	1							Right
19	6035 977AA	4							SCREW, Tapping, .164-18x.625
-20	L000 3157	1							BULB, 3157
21	55055 095AF	2	J						LAMP, Fog
-22	L00H 355W	2	J						BULB, Fog Lamp, H-3 55 WATT
23	6101 445	2	J						NUT AND WASHER, Hex Nut-Coned Washer, M8 x 1.25
24									WIRING, Headlamp With Fog Lamps
	56009 921AD	1	J			EP0, ER0			
	56010 278AF	1	J			EP0, ER0			
	56010 280AF	1				EP0, ER0			Export
-25	4864 773	2	J						RETAINER, Fog Lamp Bulb
-26	4874 382	1	J						ACTUATOR, Headlamp
27	55155 764AB	1							BRACKET, License Plate, Export
28	6030 441	2	J						PIN, Retainer
29									SCREW, M6X1.00X16.00, (NOT SERVICED) (Not Serviced)
30									NUT, M6x1.00, (NOT SERVICED) (Not Serviced)

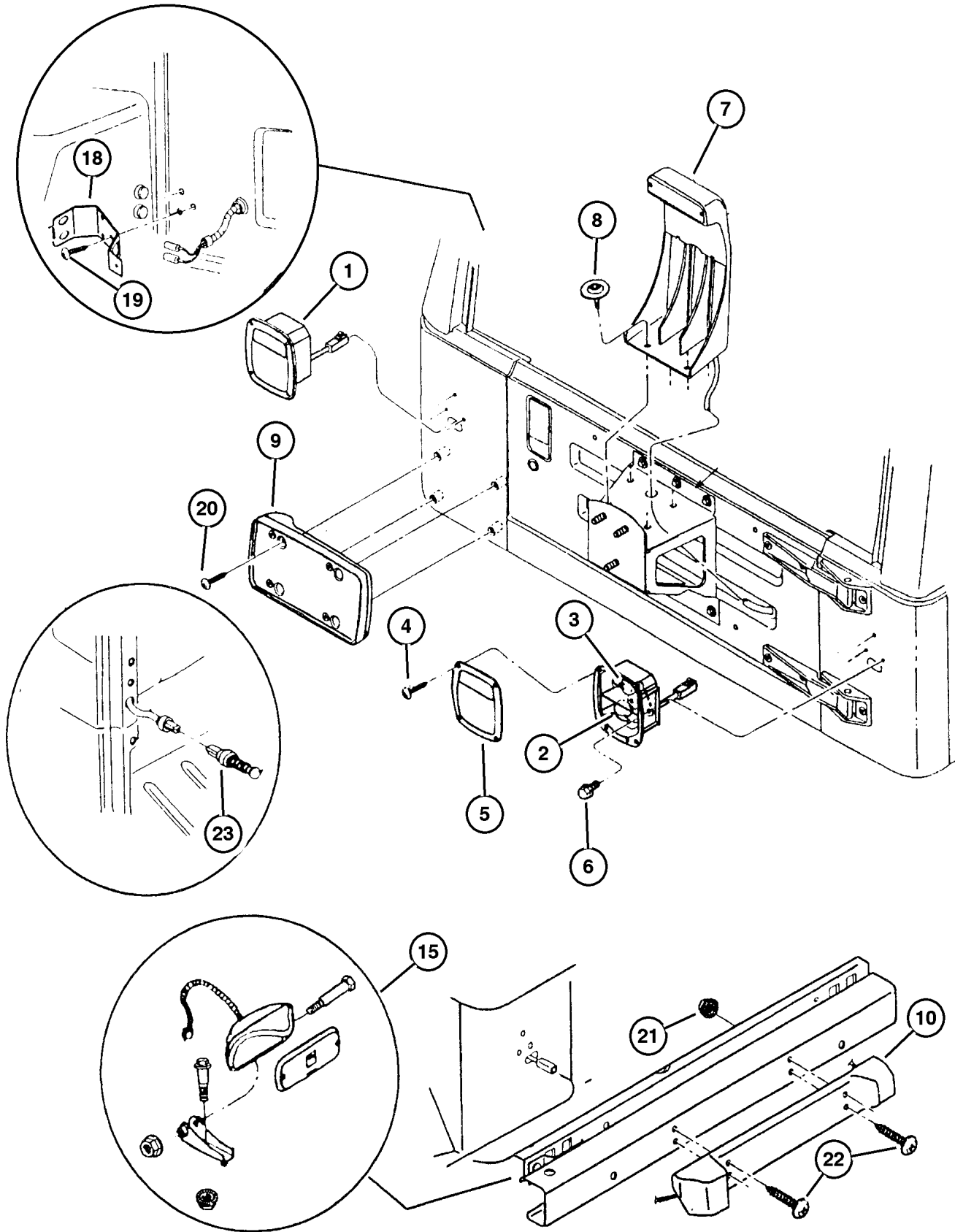
**JEEP WRANGLER (TJ)**

SERIES	LINE	BODY	ENGINE	TRANSMISSION
H = Sport	J = Wrangler 4WD	77 = 93.4 WB	EPE, EP0 = 2.5L Power Tech	DGG, DGD = 32RH 3 Spd. Auto.
L = SE	U = Wrangler 4WD (RHD)		ERH, ER0 = 4.0L Power Tech	DDQ = 5 Spd. Manual
P = Sahara				DDD = 5 Speed HD Manual
				DG0 = Auto. Trans.
				DBB = Manual Trans.

AR = Use as required - = Non illustrated part # = New this model year

September 16, 2005

Lamps--Rear  
Figure 008-1110



ITEM	PART NUMBER	QTY	LINE	SERIES	BODY	ENGINE	TRANS	TRIM	DESCRIPTION
1									LAMP, Tail Stop Turn
	55155 624AC	2							Europe
	56018 648AC	1	J						Right
	56018 649AC	1	J						Left
2	L000 2057	1	J						BULB, 2057
3	L000 1156	1	J						BULB, 1156
4	0154 632	8	J						SCREW, Pan Head, .164-18x.625, Lens attaching
5									LENS, Taillamp
	4856 459	2							Europe
	5600 6514	1	J						
6									SCREW/WASHER, (NOT SERVICED) (Not Serviced)
7	55055 280AB	1							LAMP, High Mounted Stop
8									SCREW AND WASHER, Hex Head, .312-18x1.00, (NOT SERVICED) (Not Serviced)
9	5517 4994	1	J	H, L, P					BRACKET, License Plate
10	55175 106AB	1							BRACKET, LICENSE Mounting, Europe)
-11	5505 5278	2							LAMP, License
-12	55155 767AB-	1							BRACKET, License Lamp, Export
-13	0153 625	2							BULB, W10/5
-14	5515 5619	2							LENS, License Lamp
15	5505 5273	1							LAMP, Fog, Europe (Rear) Red
-16	0153 622	1							BULB, P-25-1
-17	4864 772	1							LENS, Fog Lamp
18	5600 9056	1							CLAMP, Contact Button, CHMSL Contact Button
19	0154 631	3							SCREW, Pan Head, .190-16x.5
20									SCREW, M6x1x20, (NOT SERVICED) (Not Serviced)
21									NUT, M6x1.00, (NOT SERVICED) (Not Serviced)
22									SCREW, M6X1.00X16.00, (NOT SERVICED) (Not Serviced)
23	4687 558	2							SWITCH, Door Ajar

JEEP WRANGLER (TJ)

SERIES  
H = Sport  
L = SE  
P = Sahara

LINE  
J = Wrangler 4WD  
U = Wrangler 4WD (RHD)

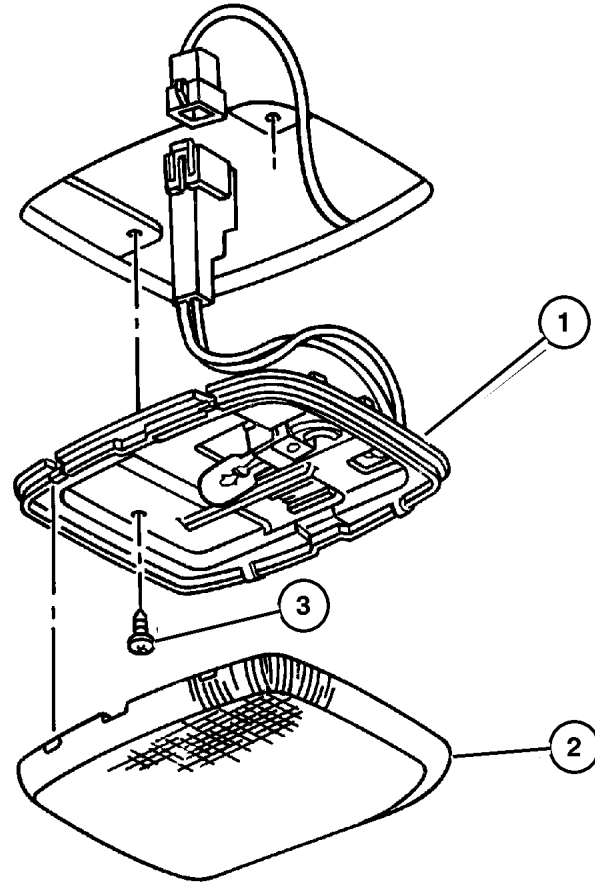
BODY  
77 = 93.4 WB

ENGINE  
EPE, EP0 = 2.5L Power Tech  
ERH, ER0 = 4.0L Power Tech

TRANSMISSION  
DGG, DGD = 32RH 3 Spd. Auto.  
DDQ = 5 Spd. Manual  
DDD = 5 Speed HD Manual  
DG0 = Auto. Trans.  
DBB = Manual Trans.

Lamps--Cargo-Dome-Courtesy  
Figure 008-1115

ITEM	PART NUMBER	QTY	LINE	SERIES	BODY	ENGINE	TRANS	TRIM	DESCRIPTION
1	5600 7264	1							BEZEL, Dome Lamp
2	5600 7265	1							LENS, Dome Lamp
3									SCREW, (NOT SERVICED) (Not Serviced)
-4	J095 9978	1							LENS, Dome Lamp
-5	56042 559AA-	1							LAMP, Courtesy, Lower Left I/Panel (Housing, Lens & Bulb Included)
-6	J095 9999	1							HOUSING, Dome and Reading Lamp



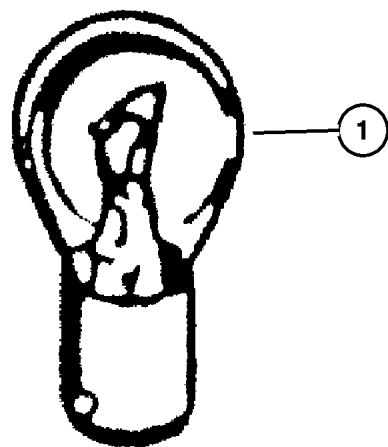
<b>JEEP WRANGLER (TJ)</b>				
SERIES	LINE	BODY	ENGINE	TRANSMISSION
H = Sport	J = Wrangler 4WD	77 = 93.4 WB	EPE, EP0 = 2.5L Power Tech	DGG, DGD = 32RH 3 Spd. Auto.
L = SE	U = Wrangler 4WD (RHD)		ERH, ER0 = 4.0L Power Tech	DDQ = 5 Spd. Manual
P = Sahara				DDD = 5 Speed HD Manual
				DG0 = Auto. Trans.
				DBB = Manual Trans.

AR = Use as required - = Non illustrated part # = New this model year

September 16, 2005

**Bulbs & Sockets**  
**Figure 008-1120**

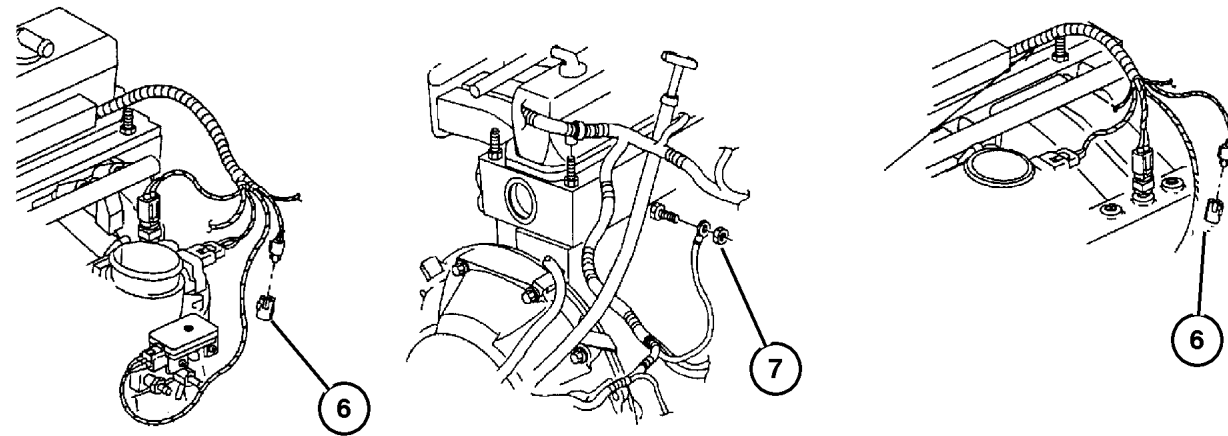
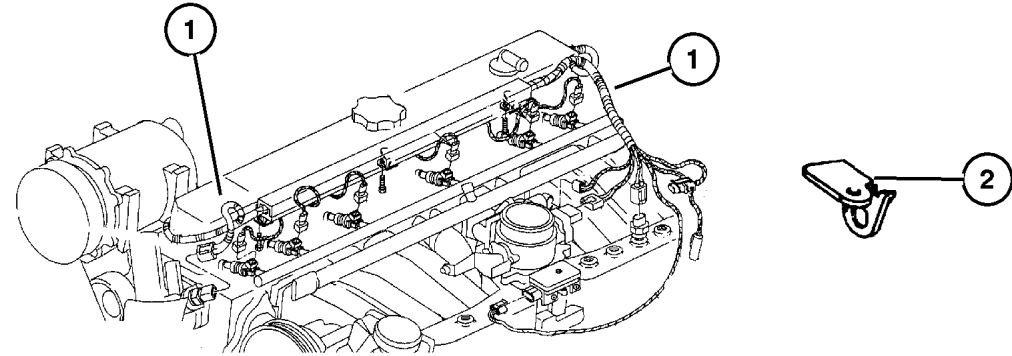
ITEM	PART NUMBER	QTY	LINE	SERIES	BODY	ENGINE	TRANS	TRIM	DESCRIPTION
1									BULB, 8/4
	0153 620	1	J						Front Fender Side Repeater
		1	U						Front Fender Side Repeater
-2									BULB, Headlamp
	0153 621	1	J						Halogen (ECE)
		1	U						Halogen (ECE)
-3	L000 921E	1							BULB, 921, High Mounted Stop Lamp
-4	L000 3157	2							BULB, 3157, Front Park & Turn Signal Lamp
-5	L000 0658	1					DG0		BULB, 658, PRNDL Cover
-6	4874 349	5							BULB AND SOCKET, I/Panel Cluster
-7	5013 829AA-	1							BULB, Heater and A/C Control
-8	4399 900	2							SOCKET, Park, Turn, and Side Lamp



**JEEP WRANGLER (TJ)**

SERIES	LINE	BODY	ENGINE	TRANSMISSION
H = Sport	J = Wrangler 4WD	77 = 93.4 WB	EPE, EP0 = 2.5L Power Tech	DGG, DGD = 32RH 3 Spd. Auto.
L = SE	U = Wrangler 4WD (RHD)		ERH, ER0 = 4.0L Power Tech	DDQ = 5 Spd. Manual
P = Sahara				DDD = 5 Speed HD Manual
				DG0 = Auto. Trans.
				DBB = Manual Trans.

**Wiring--Engine & Related Parts  
Figure 008-1205**



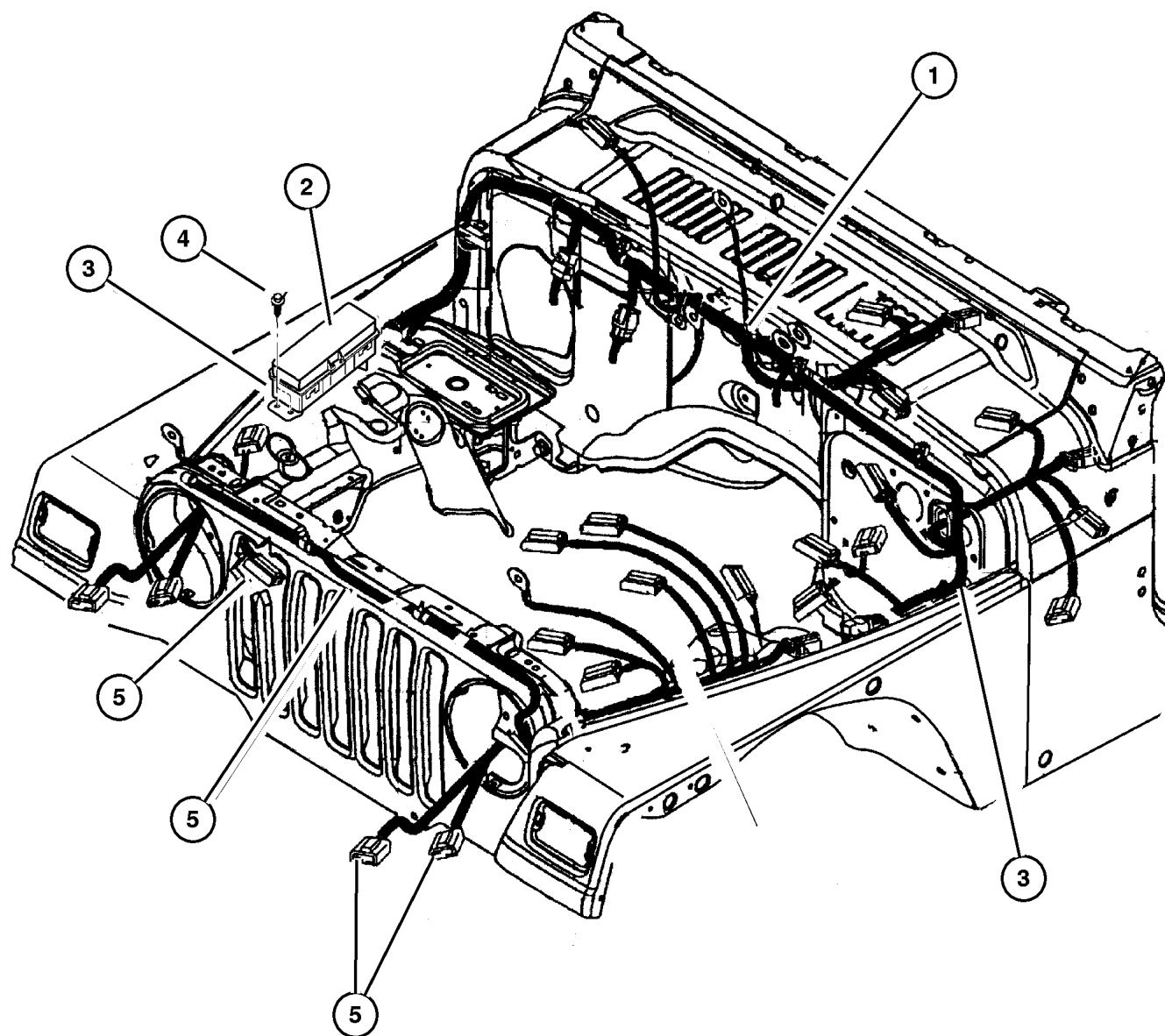
ITEM	PART NUMBER	QTY	LINE	SERIES	BODY	ENGINE	TRANS	TRIM	DESCRIPTION
EP0=2.5L Engine ER0=4.0L Engine DG0=Automatic Transmission DBB= Manual Transmission DDD=Manual Transmission 5 Speed (Heavy Duty)									
1									WIRING, Engine, Transmission Wiring Included w/ABS
	56041 441AE	1	U			EP0			
	56041 444AE	1	J			EP0			
	56041 827AA	1	U			ER0			w/Leaded Fuel or European III Emissions
	56041 828AA	1	J			ER0			ABS w/Leaded Fuel or European III Emissions
	56041 829AA	1	J			ER0			w/o ABS w/Leaded Fuel or European II or III Emissions
		1	J			ER0			w/o ABS w/Leaded Fuel or European III Emissions
	56041 843AA	1	J			ER0			w/ABS w/U.S. 50 State Emission
	56041 844AA	1	J			ER0			w/o ABS w/U.S. 50 State Emission
2	5300 8550	1				ER0			CLIP
-3	5601 8581	1				ER0	DBB		STRAP, Tie, Wiring & Clip
-4							DG0		WIRING, Transmission Jumper
	56010 212AB-	1					DG0		
	56010 211AD-	1					DDD		
		1					DBB		
-5	5600 9433	2							CAP, Screw Cover
6	56044 085AA	1							PLUG, Oxygen Sensor
7									NUT AND WASHER, .312-18, (NOT SERVICED) (Not Serviced)

JEEP WRANGLER (TJ)				
SERIES	LINE	BODY	ENGINE	TRANSMISSION
H = Sport	J = Wrangler 4WD	77 = 93.4 WB	EPE, EP0 = 2.5L Power Tech	DGG, DGD = 32RH 3 Spd. Auto.
L = SE	U = Wrangler 4WD (RHD)		ERH, ER0 = 4.0L Power Tech	DDQ = 5 Spd. Manual
P = Sahara				DDD = 5 Speed HD Manual
				DG0 = Auto. Trans.
				DBB = Manual Trans.

AR = Use as required - = Non illustrated part # = New this model year

September 16, 2005

**Wiring--Headlamp / Dash Panel**  
**Figure 008-1305**



ITEM	PART NUMBER	QTY	LINE	SERIES	BODY	ENGINE	TRANS	TRIM	DESCRIPTION
EP0=2.5L Engine ER0=4.0L Engine									
1									WIRING, Dash Panel
	56009 635AL	1	U			EP0, ER0			
	56009 980AJ	1	J			EP0, ER0			Without ABS (Canada)
	56009 981AJ	1	J			ER0			With ABS (Canada)
	56010 282AJ	1	J			ER0			With ABS
	56010 285AJ	1	J			EP0, ER0			Without ABS & without Automatic Speed Control (with U.S. 50 State, Leaded Fuel & European III Emissions)
	56010 350AH	1	J			EP0, ER0			Without ABS & with Automatic Speed Control (with U.S. 50 State, Leaded Fuel & European III Emissions)
2									COVER, Power Distribution Center
	56047 000AA	1							Bottom
	5072 293AA	1							Top
3	56010 210AA	1							BRACKET, Power Distribution Center
4									SCREW, M6.3x1.81x20, Tapping (M6.3x1.81x20.00) Not Serv., (NOT SERVICED) (Not Serviced)
5									WIRING, Headlamp
	56009 921AC	1	J			EP0, ER0			with Foglamp
	56010 278AE	1	J			EP0, ER0			without Foglamp
	56010 280AE	1				EP0, ER0			Europe
-6									BRACKET, Wiring Harness
	56009 901AA-	1	U						Battery & Engine
	56019 684AB-	1	U						Side Cowl
	56019 685AB-	1	J						Side Cowl

**JEEP WRANGLER (TJ)**

<b>SERIES</b>	<b>LINE</b>	<b>BODY</b>	<b>ENGINE</b>	<b>TRANSMISSION</b>
H = Sport	J = Wrangler 4WD	77 = 93.4 WB	EPE, EP0 = 2.5L Power Tech	DGG, DGD = 32RH 3 Spd. Auto.
L = SE	U = Wrangler 4WD (RHD)		ERH, ER0 = 4.0L Power Tech	DDQ = 5 Spd. Manual
P = Sahara				DDD = 5 Speed HD Manual
				DG0 = Auto. Trans.
				DBB = Manual Trans.

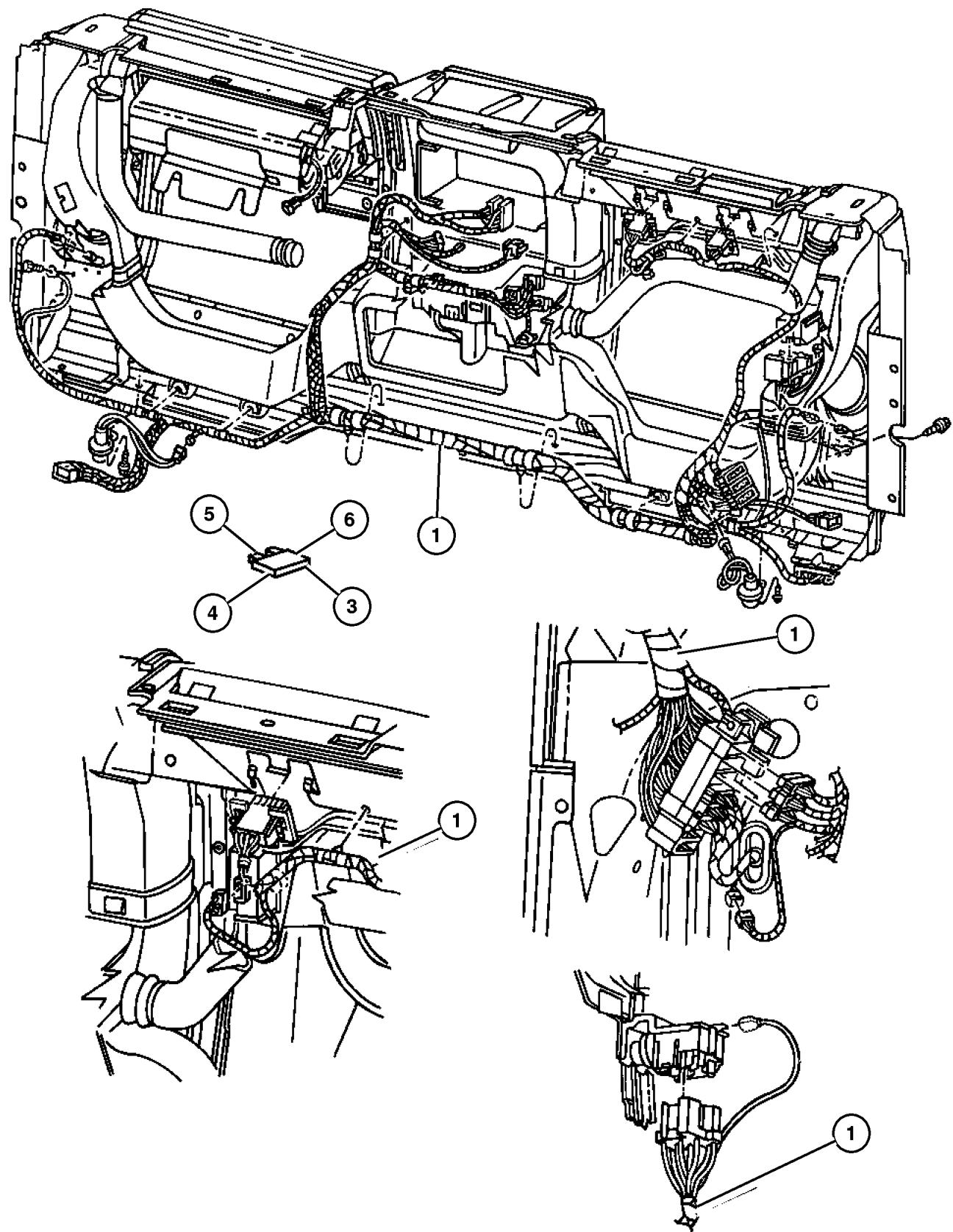
AR = Use as required - = Non illustrated part # = New this model year

September 16, 2005



**Wiring Instrument Panel & Fuses**  
**Figure 008-1405**

ITEM	PART NUMBER	QTY	LINE	SERIES	BODY	ENGINE	TRANS	TRIM	DESCRIPTION
DG0=Automatic Transmission									
1									WIRING, Instrument Panel
	56010 104AJ	1	J						Soft Top
	56010 108AJ	1	J						Hard Top
	56010 131AJ	1	J						Europe
	56010 205AJ	1	U						Europe
-2	56009 391AH-	1							LABEL, Fuse Block
3	6102 077AA	1							FUSE CARTRIDGE, 40 Amp
4	00AT M10	1							FUSE, Mini, 10 AMP, Red
5	00AT M20	1							FUSE, Mini, 20 AMP, Yellow
6	6102 077AA	1							FUSE CARTRIDGE, 40 Amp
-7	4607 084AB-	1							FLASHER



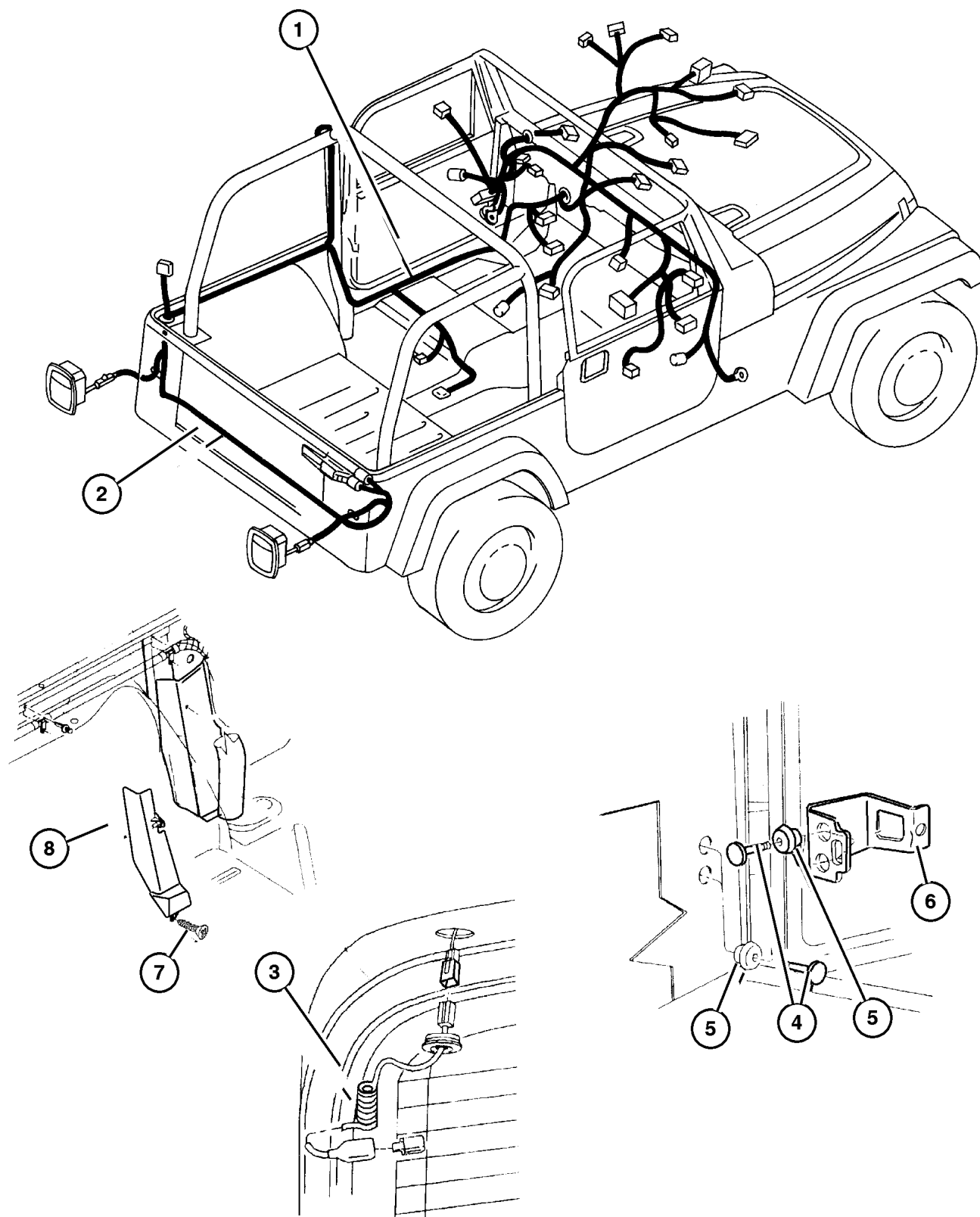
<b>JEEP WRANGLER (TJ)</b>				
SERIES	LINE	BODY	ENGINE	TRANSMISSION
H = Sport	J = Wrangler 4WD	77 = 93.4 WB	EPE, EP0 = 2.5L Power Tech	DGG, DGD = 32RH 3 Spd. Auto.
L = SE	U = Wrangler 4WD (RHD)		ERH, ER0 = 4.0L Power Tech	DDQ = 5 Spd. Manual
P = Sahara				DDD = 5 Speed HD Manual
				DG0 = Auto. Trans.
				DBB = Manual Trans.

AR = Use as required - = Non illustrated part # = New this model year

September 16, 2005

**Wiring--Body & Accessory**  
**Figure 008-1505**

ITEM	PART NUMBER	QTY	LINE	SERIES	BODY	ENGINE	TRANS	TRIM	DESCRIPTION
EP0=2.5L Engine									
ER0=4.0L Engine									
1									WIRING, Crossbody
	56009 509AL	1	J						w/o 5 Speaker Audio System
	56009 878AL	1	U						w/o 5 Speaker Audio System
	56047 003AC	1	J						w/5 Speaker Audio System
	56047 004AC	1	U						w/5 Speaker Audio System
2									WIRING, Rear Body
	56009 876AE	1	U						Hard Top (Europe)
	56009 877AE	1	U						Soft Top (Europe)
	56010 160AD	1	J						Hard Top (Europe)
	56010 161AD	1	J						Soft Top (Europe)
	56010 162AD	1							Hard Top
	56010 164AD	1	J						Soft Top
3	56009 120AC	2							WIRING, Electric Back Light
4	4362 012	4							TERMINAL, CHMSL Contact Button
5	6031 562	2							GROMMET, Sliding Door
6	5600 9056	1							CLAMP, Contact Button
7	0154 552	2							SCREW, Hex Head, .190-16x.625
8	55217 194AB	1							COVER, Wiring Protector
-9	55352 706AA-	1		H, L					COVER, Wiring Protector
-10	5600 9085	1							WIRING, Rear Bumper
-11	56009 377AB-	1							WIRING, Hardtop
-12									WIRING, Air Conditioning Module
	4874 085	1	U						
		1	J						
-13	56009 924AB-	1	J			EP0, ER0			WIRING, Leak Detection Pump Jumper
-14	56009 896AA-	1							WIRING, Soundbar Adapter
-15	56009 939AA-	1							WIRING, Jumper
-16	56009 333AB-	3							CLIP, Wire Attaching (Clip)
-17	56009 338AB-	3							RIVET



**JEEP WRANGLER (TJ)**

SERIES	LINE	BODY	ENGINE	TRANSMISSION
H = Sport	J = Wrangler 4WD	77 = 93.4 WB	EPE, EP0 = 2.5L Power Tech	DGG, DGD = 32RH 3 Spd. Auto.
L = SE	U = Wrangler 4WD (RHD)		ERH, ER0 = 4.0L Power Tech	DDQ = 5 Spd. Manual
P = Sahara				DDD = 5 Speed HD Manual
				DG0 = Auto. Trans.
				DBB = Manual Trans.

AR = Use as required - = Non illustrated part # = New this model year

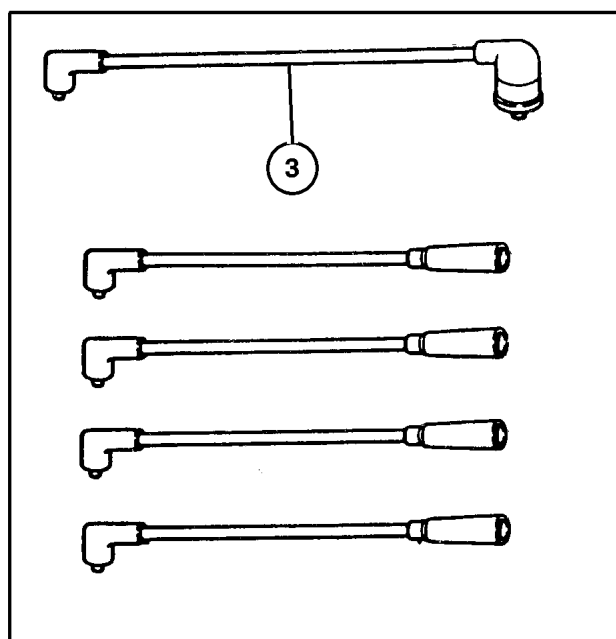
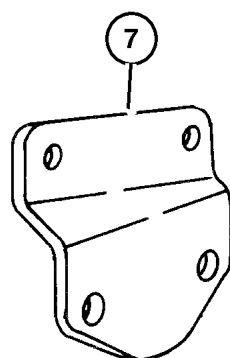
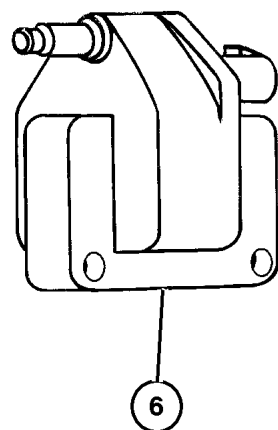
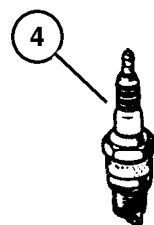
September 16, 2005





### Spark Plugs--Cables--Coil Figure 008-1905

ITEM	PART NUMBER	QTY	LINE	SERIES	BODY	ENGINE	TRANS	TRIM	DESCRIPTION
EP0=2.5L Engine									
ER0=4.0L Engine									
-1	5017 058AA-	1				EP0			CABLE, Ignition, With Seperator
2	56041 852AB	1				EP0			CABLE, Ignition [#3]
	56041 853AB	1				EP0			[#4]
	56041 854AB	1				EP0			[#2]
	56041 855AB	1				EP0			[#1]
3	56041 851AA	1				EP0			CABLE, Ignition Coil
4									SPARK PLUG
	SP00 0ZFR5N	4				EP0			
		6				ER0			
5	5300 6579	1				EP0			SEPERATOR, Ignition Cable
6									COIL, Ignition
	5602 8172	1				EP0			
	56041 476AA	1				ER0			
7	5300 8702	1				EP0			BRACKET, Ignition Coil
-8	6102 146AA-	4				ER0			SCREW AND WASHER, Ignition Coil Mounting



**JEEP WRANGLER (TJ)**

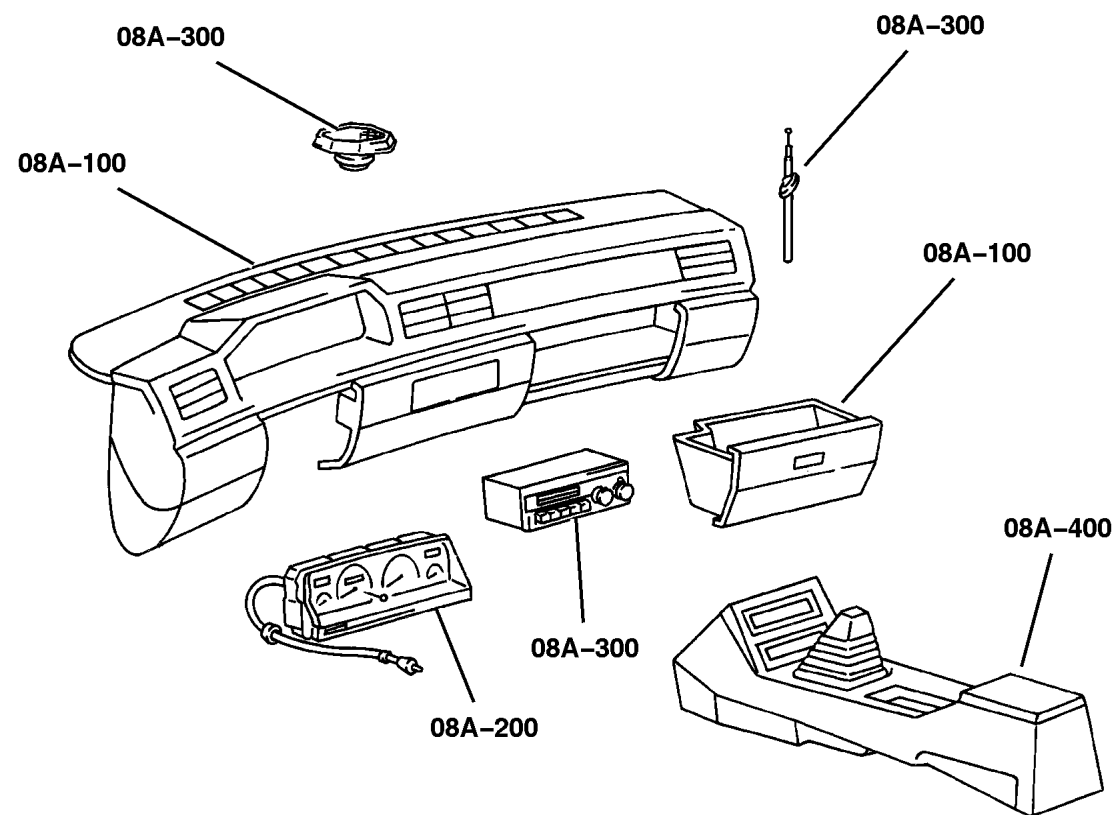
SERIES	LINE	BODY	ENGINE	TRANSMISSION
H = Sport	J = Wrangler 4WD	77 = 93.4 WB	EPE, EP0 = 2.5L Power Tech	DGG, DGD = 32RH 3 Spd. Auto.
L = SE	U = Wrangler 4WD (RHD)		ERH, ER0 = 4.0L Power Tech	DDQ = 5 Spd. Manual
P = Sahara				DDD = 5 Speed HD Manual
				DG0 = Auto. Trans.
				DBB = Manual Trans.

AR = Use as required - = Non illustrated part # = New this model year

September 16, 2005

# Group – 08A

## Instrument Panel and Radios and Consoles



## GROUP 8A - Instrument Panel and Radios and Consoles

Illustration Title

Group-Fig. No.

### Instrument Panel

Instrument Panel ..... Fig. 08A-110

### Instrument Panel Cluster

Instrument Cluster ..... Fig. 08A-210

### Radio, Antenna, and Speakers

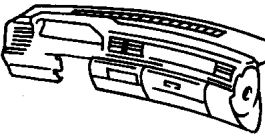
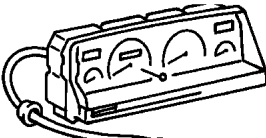
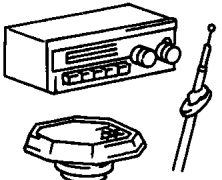
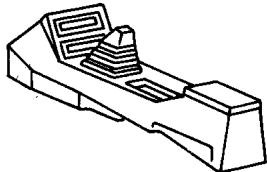
Radio ..... Fig. 08A-315

Antenna ..... Fig. 08A-320

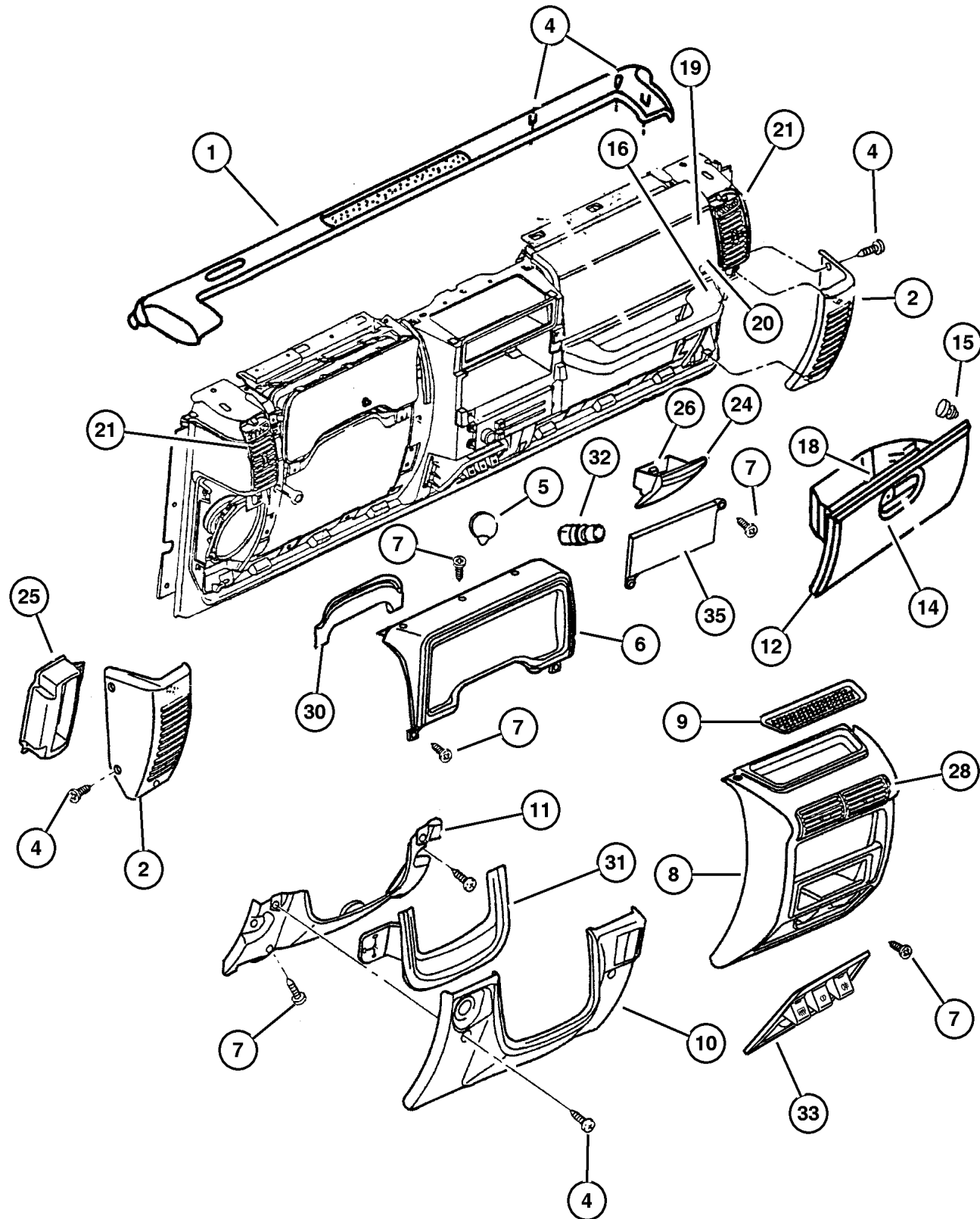
Speakers ..... Fig. 08A-325

### Consoles

Consoles Full & Mini ..... Fig. 08A-410

<p><b>08A-100</b> Instrument Panel</p> 	<p><b>08A-200</b> Instrument Panel Cluster</p> 	<p><b>08A-300</b> Radio, Antenna, and Speakers</p> 	<p><b>08A-400</b> Consoles</p> 
--	--	---	--

Instrument Panel  
Figure 08A-110



ITEM	PART NUMBER	QTY	LINE	SERIES	BODY	ENGINE	TRANS	TRIM	DESCRIPTION
1									COVER, Instrument Panel
	5EU50 LAZAC	1							[AZ]
	5EU50 RK5AC	1							[KG]
2									BEZEL, Speaker
	5DP1 6LAZ	1							[AZ], Right
	5DP1 6RK5	1							[KG], Right
	5DP1 7LAZ	1							[AZ], Left
	5DP1 7RK5	1							[KG], Left
-3	4524 342	2							CLIP
4	6035 369	6							SCREW, Piercing, .164-15x1.25, Bezel Mounting
5									CAP, Cigar Lighter, (NOT REQUIRED)
6	5GW62 LAZAA	1							BEZEL, Instrument Cluster, Agate
7	6034 949	5							SCREW
8	5FK57 LAZAC	1							BEZEL, Instrument Panel, Black Ash Tray Clips Included (Agate)
9	5511 5652	1							MAT, Instrument Panel, Center Tray Rubber Insert
10									COVER, Instrument Panel, Steering Column Opening
	UA83 LAZAA	1							[AZ] with Headlamp Leveling
	UA83 RK5AA	1							[KG] with Headlamp Leveling
	5GV99 LAZAA	1							[AZ] without Headlamp Leveling
	5GV99 RK5AA	1							[KG] without Headlamp Leveling
11									PANEL, Knee Blocker, (NOT REQUIRED)
12									GLOVE BOX, Instrument Panel
	5DP56 LAZAC	1							[AZ]
	5DP56 RK5AC	1							[KG]
-13									STRAP, Glove Box Door Stop
	5503 7355	1					U		
		1					J		
14									LATCH, Glovebox
	5EM2 8LAZ	1							[AZ]
	5EM2 8RK5	1							[KG]
15	5503 7225	2							BUMPER, Glove Box Door
16									HANDLE, Grab, I/Panel
	5DP5 2LAZ	1						U	[AZ] I/Panel
		1						J	[AZ] I/Panel
	5DP5 2RK5	1						U	[KG] I/Panel
		1						J	[KG] I/Panel
-17									HANDLE, Grab, Bezel Only

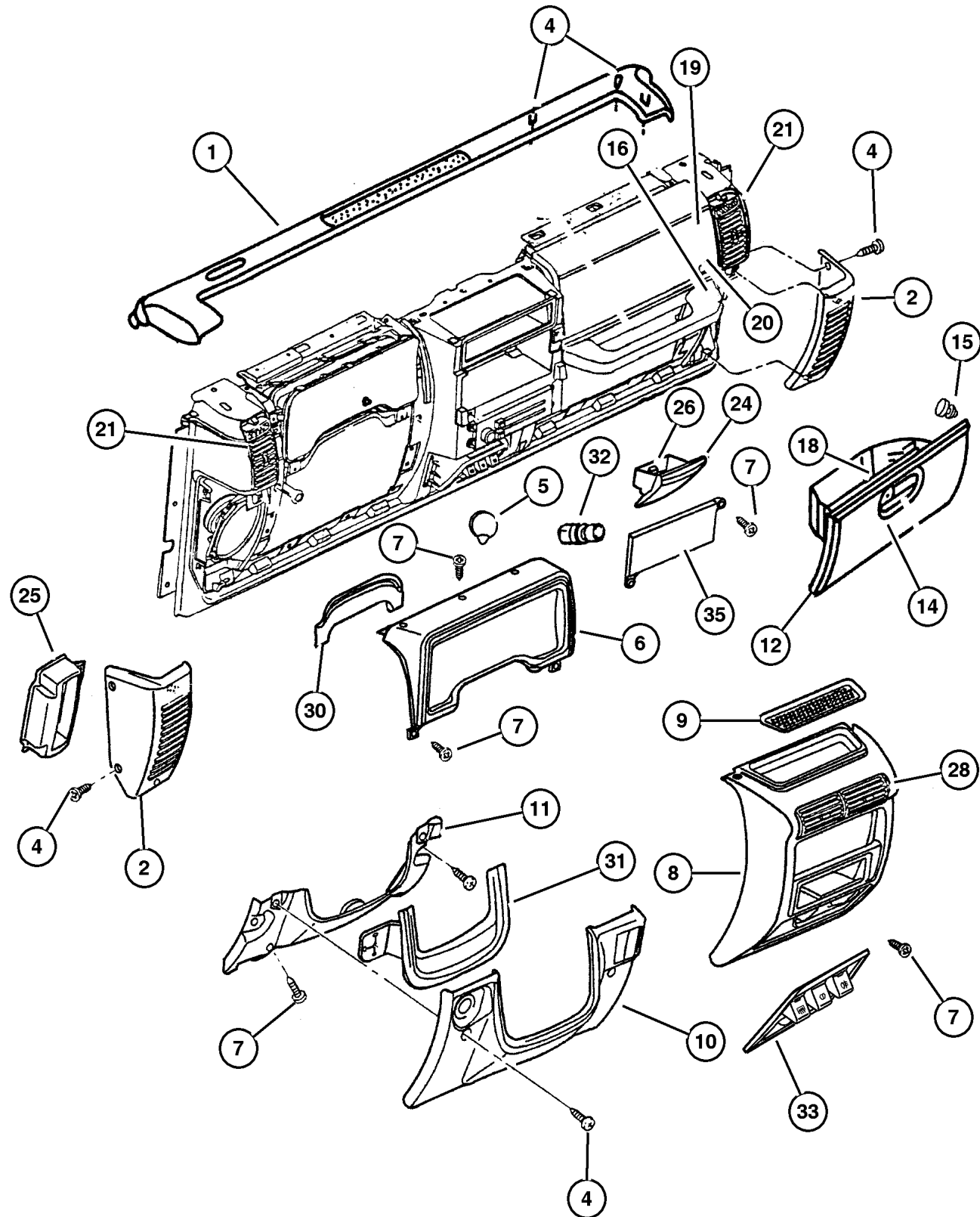
JEEP WRANGLER (TJ)

SERIES	LINE	BODY	ENGINE	TRANSMISSION
H = Sport	J = Wrangler 4WD	77 = 93.4 WB	EPE, EP0 = 2.5L Power Tech	DGG, DGD = 32RH 3 Spd. Auto.
L = SE	U = Wrangler 4WD (RHD)		ERH, ER0 = 4.0L Power Tech	DDQ = 5 Spd. Manual
P = Sahara				DDD = 5 Speed HD Manual
				DG0 = Auto. Trans.
				DBB = Manual Trans.

AR = Use as required - = Non illustrated part # = New this model year

September 16, 2005

**Instrument Panel  
Figure 08A-110**



ITEM	PART NUMBER	QTY	LINE	SERIES	BODY	ENGINE	TRANS	TRIM	DESCRIPTION
	5EE1 1LAZ	1	U						[AZ] Bezel Only
		1	J						[AZ] Bezel Only
	5EE1 1RK5	1	U						[KG] Bezel Only
		1	J						[KG] Bezel Only
18									STRIKER, Glove Box Door Latch
	5511 5170	1	U						
		1	J						
19									AIR BAG, Passenger Module
	55314 982AC	1	U						Module
		1	J						Module
20									DOOR, Passenger Air Bag
	5DU3 8LAZ	1	U						[AZ]
		1	J						[AZ]
	5DU3 8RK5	1	U						[KG]
		1	J						[KG]
21									OUTLET, Air Conditioning & Heater
	5DP5 4TAZ	1	U						[AZ], Right
		1	J						[AZ], Right
	5DP5 5TAZ	1	U						[AZ], Left
		1	J						[AZ], Left
-22									PANEL, Instrument
	UA84 1K5AA-	1	J						[KG]
	UA84 LAZAA-	1	J						[AZ]
	UA89 1K5AA-	1	U						[KG]
	UA89 LAZAA-	1	U						[AZ]
-23									PANEL, Instrument, Cosmetic Repair Panel
	5EM26 LAZAB-	1	U						[AZ]
		1	J						[AZ]
	5EM26 RK5AB-	1	U						[KG]
		1	J						[KG]
24	5FK6 2TAZ	1							ASH RECEIVER, Instrument Panel, Agate
25									BAFFLE, Speaker, (NOT REQUIRED)
26	5503 3543	1							SPRING, Ash Receiver
-27									CLIP, Speaker, Ash Receiver Mounting
	6035 859	4	U						
		4	J						
28	5FS1 0TAZ	2							OUTLET, Air Conditioning & Heater, Air I/Panel Center (Agate)
-29	6503 175	5							CLIP, Quarter Panel, I/Panel

**JEEP WRANGLER (TJ)**

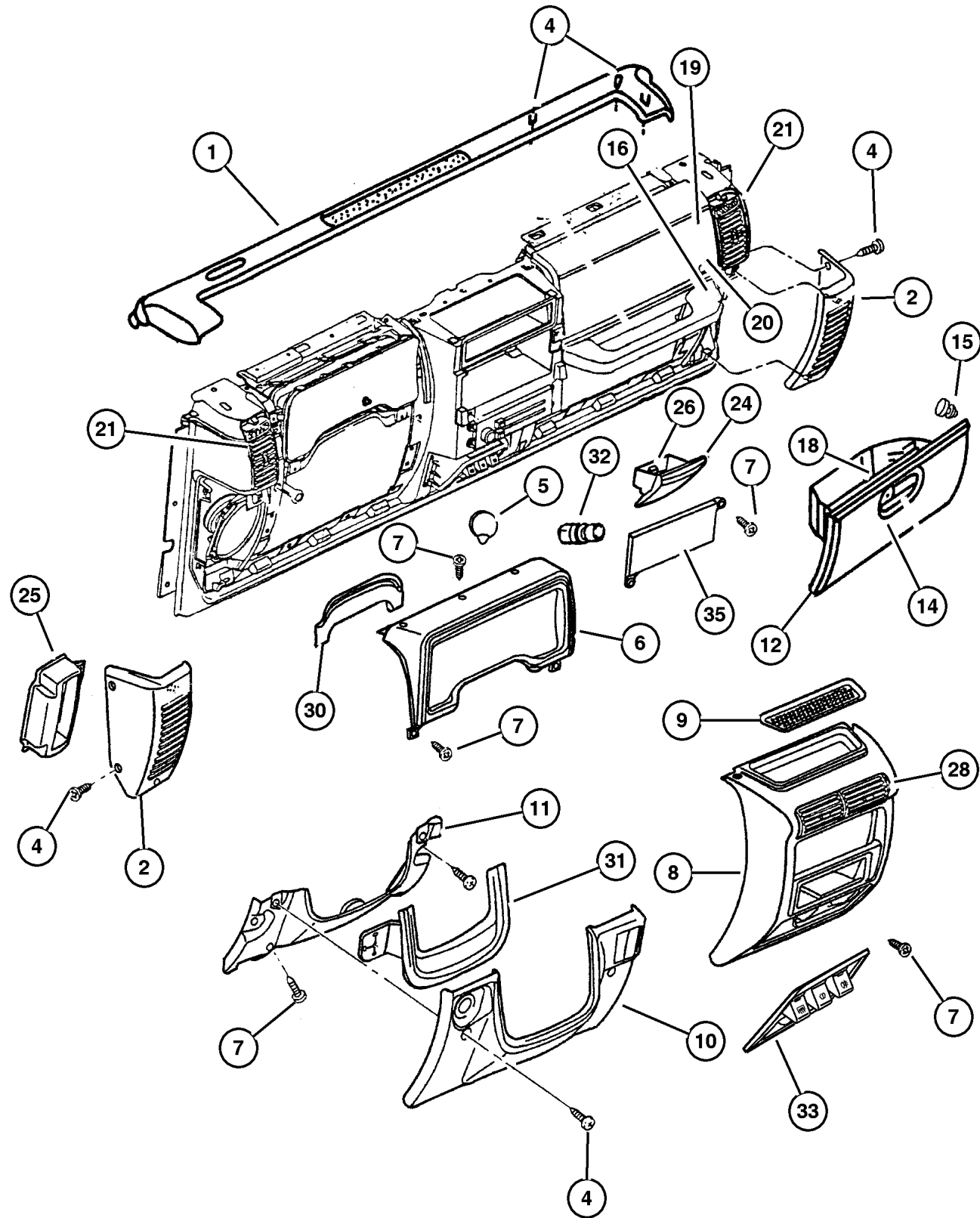
SERIES	LINE	BODY	ENGINE	TRANSMISSION
H = Sport	J = Wrangler 4WD	77 = 93.4 WB	EPE, EP0 = 2.5L Power Tech	DGG, DGD = 32RH 3 Spd. Auto.
L = SE	U = Wrangler 4WD (RHD)		ERH, ER0 = 4.0L Power Tech	DDQ = 5 Spd. Manual
P = Sahara				DDD = 5 Speed HD Manual
				DG0 = Auto. Trans.
				DBB = Manual Trans.

AR = Use as required - = Non illustrated part # = New this model year

September 16, 2005



Instrument Panel  
Figure 08A-110



ITEM	PART NUMBER	QTY	LINE	SERIES	BODY	ENGINE	TRANS	TRIM	DESCRIPTION
30									FILLER, I/P To A Pillar, FILLER, Gap (Serviced in Item # 5), (NOT SERVICED) (Not Serviced)
31									FILLER, I/P To A Pillar, FILLER, Gap (Serviced In Item # 9), (NOT SERVICED) (Not Serviced)
32	4685 536	1							KNOB AND ELEMENT, Cigar Lighter
33	56007 314AD	1							BEZEL, Cigar Lighter, Bezel & plug, Switch & Cigar Lighter
-34									PLUG, Switch Opening without Heated Backlite without Rear Wiper
	5600 7329	1							
	5600 7330	1							
35	4372 399	1							COVER, Radio Opening, I/Panel Radio Opening

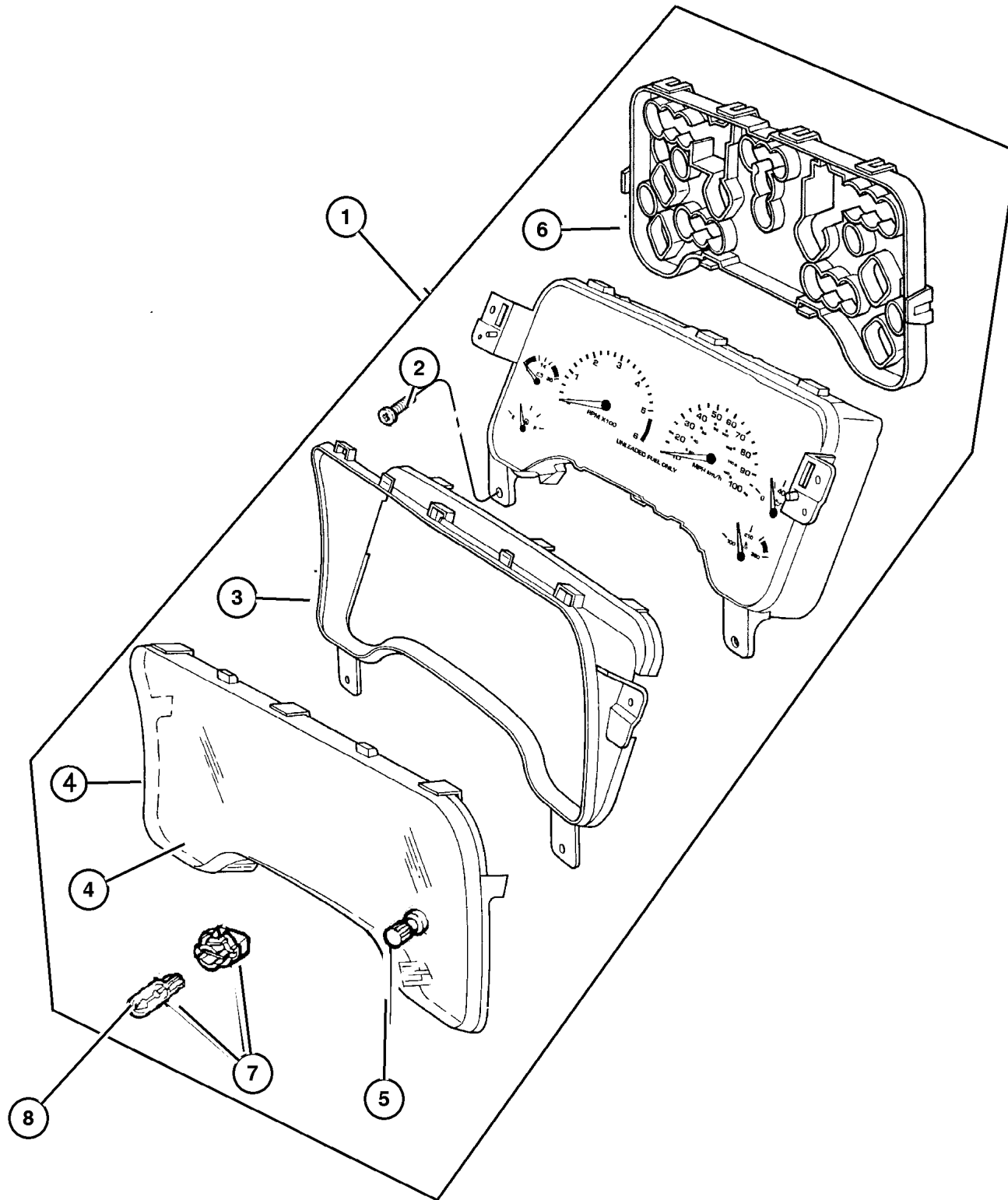
JEEP WRANGLER (TJ)  
 SERIES LINE BODY ENGINE TRANSMISSION  
 H = Sport J = Wrangler 4WD 77 = 93.4 WB EPE, EP0 = 2.5L Power Tech DGG, DGD = 32RH 3 Spd. Auto.  
 L = SE U = Wrangler 4WD (RHD) ERH, ER0 = 4.0L Power Tech DDQ = 5 Spd. Manual  
 P = Sahara DDD = 5 Speed HD Manual  
 DGO = Auto. Trans.  
 DBB = Manual Trans.

AR = Use as required - = Non illustrated part # = New this model year

September 16, 2005

**Instrument Cluster  
Figure 08A-210**

ITEM	PART NUMBER	QTY	LINE	SERIES	BODY	ENGINE	TRANS	TRIM	DESCRIPTION
1									CLUSTER
	56009 170AF	1							MPH
	56009 171AF	1							KPH w/Front Foglamp
	56009 172AF	1	U						MPH
	56009 174AF	1	U						KPH
	56047 078AA	1							KPH w/Rear Foglamp
2	6034 949	3							SCREW
3	4874 344	1							MASK, Instrument Cluster
4	4874 345	1							LENS, Cluster
5	4874 346	1							GROMMET, Speedometer Trip Reset
6	5018 621AA	1							COVER, Cluster
7	4874 349	5							BULB AND SOCKET
8	L000 PC74	1							BULB, PC74

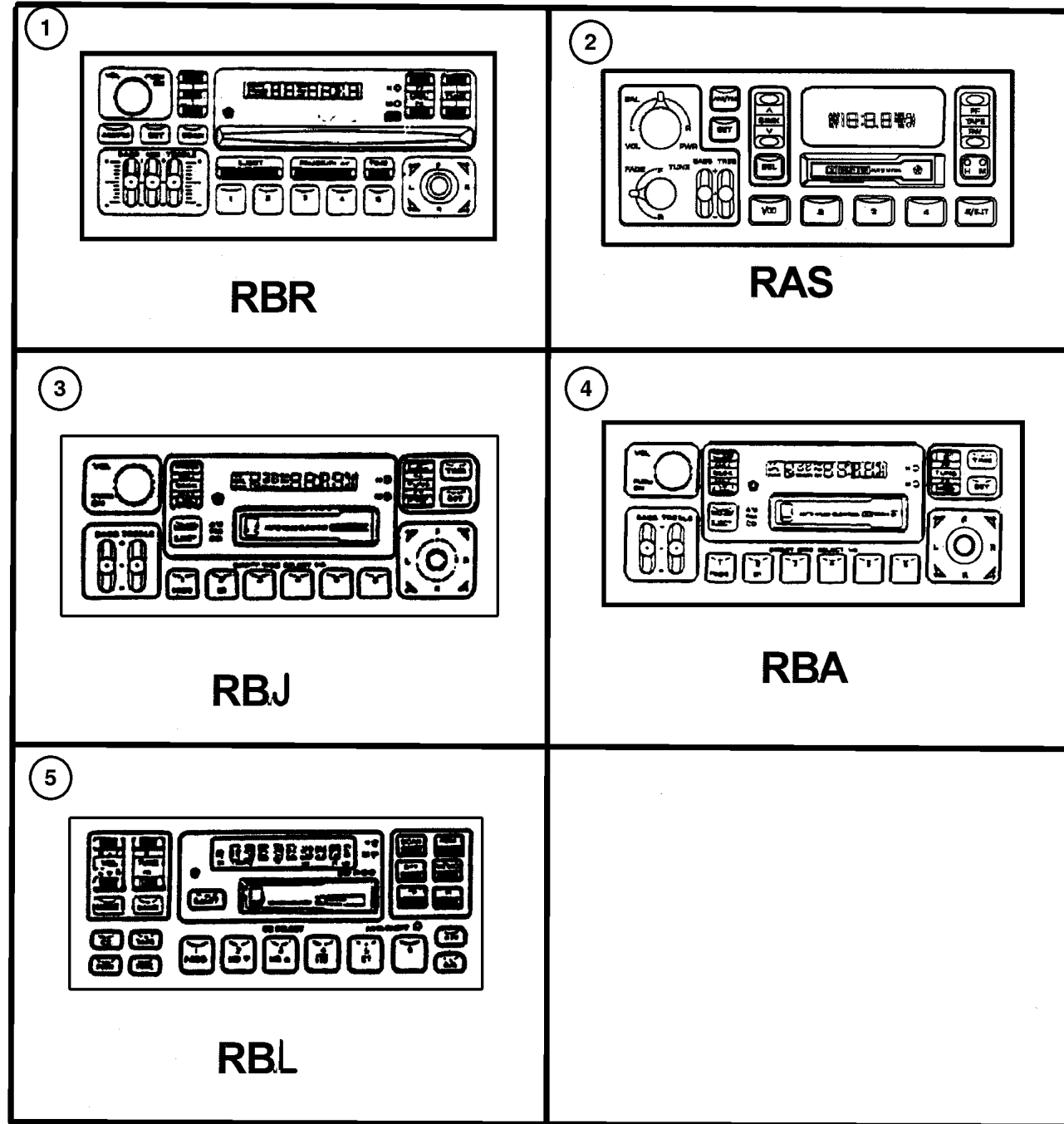


<b>JEEP WRANGLER (TJ)</b>			
SERIES	LINE	BODY	ENGINE
H = Sport	J = Wrangler 4WD	77 = 93.4 WB	EPE, EP0 = 2.5L Power Tech
L = SE	U = Wrangler 4WD (RHD)		ERH, ER0 = 4.0L Power Tech
P = Sahara			
			TRANSMISSION
			DGG, DGD = 32RH 3 Spd. Auto.
			DDQ = 5 Spd. Manual
			DDD = 5 Speed HD Manual
			DG0 = Auto. Trans.
			DBB = Manual Trans.

AR = Use as required - = Non illustrated part # = New this model year

September 16, 2005

**Radio**  
**Figure 08A-315**



ITEM	PART NUMBER	QTY	LINE	SERIES	BODY	ENGINE	TRANS	TRIM	DESCRIPTION
RAS=AM/FM Cassette									
RBA=AM/FM w/Cassette & CD Changer Control									
RBJ=Midline AM/FM w/Cassette & CD Changer Control									
RBL=AM/FM w/ Cassette & CD Changer Control									
RBR=AM/FM w/CD & Equalizer									
1	4704 373AE	1							RADIO, AM/FM with CD and Equalizer, RBR
2	56038 933AB	1							RADIO, AM/FM Cassette, RAS
3	4704 393AD	1	U						RADIO, AM/FM Cassette with CD Control, RBJ
4	4704 392AD	1							RADIO, AM/FM Cassette with CD Control, RBA
5	4859 504AD	1							RADIO, FM/MW/LW-RDS and Cassette, RBL
-6	5600 9159	1							STRAP, Ground, Radio Rear
-7	5600 9160	1							STRAP, Ground, Engine/Frame
-8	5600 9161	1							STRAP, Ground, Engine/Body/Hood
-9	56038 592AA-	1							BRACKET, Audio Equipment, RBR

**JEEP WRANGLER (TJ)**

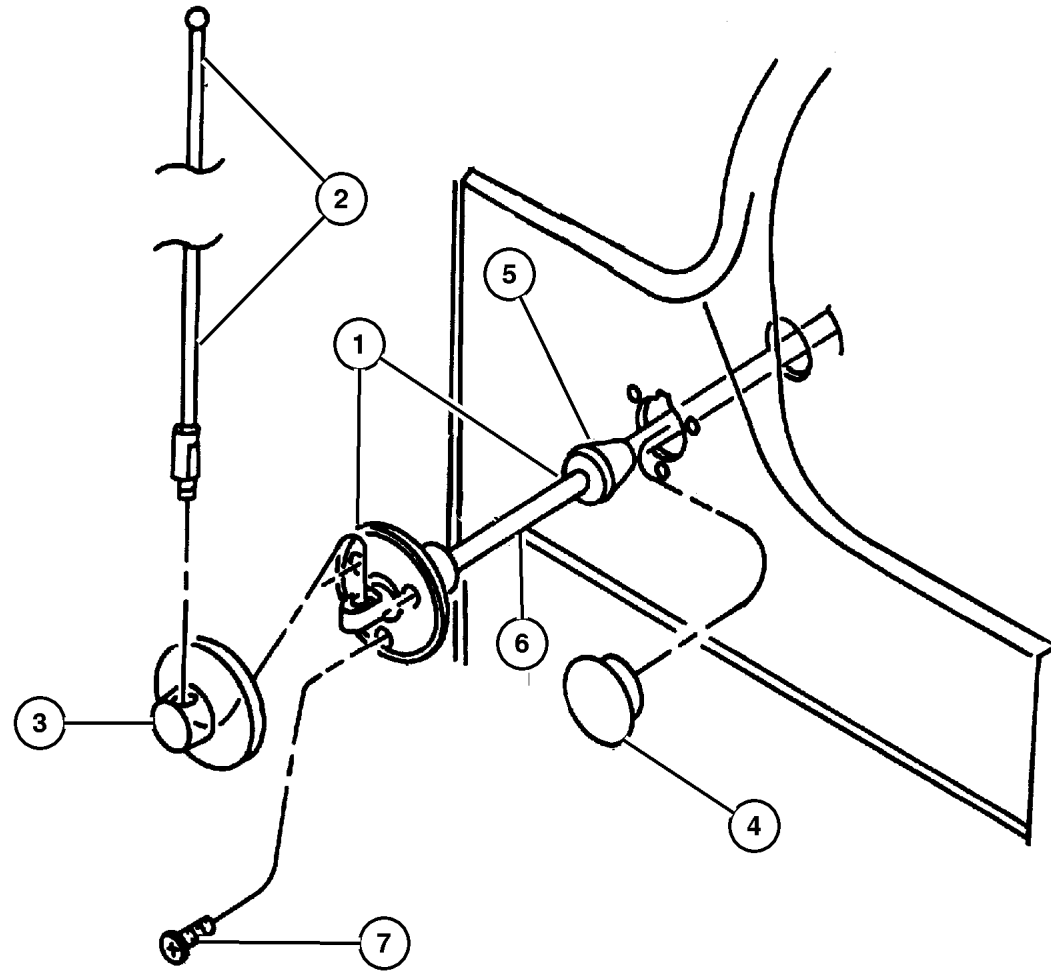
SERIES	LINE	BODY	ENGINE	TRANSMISSION
H = Sport	J = Wrangler 4WD	77 = 93.4 WB	EPE, EP0 = 2.5L Power Tech	DGG, DGD = 32RH 3 Spd. Auto.
L = SE	U = Wrangler 4WD (RHD)		ERH, ER0 = 4.0L Power Tech	DDQ = 5 Spd. Manual
P = Sahara				DDD = 5 Speed HD Manual
				DG0 = Auto. Trans.
				DBB = Manual Trans.

AR = Use as required - = Non illustrated part # = New this model year

September 16, 2005

Antenna  
Figure 08A-320

ITEM	PART NUMBER	QTY	LINE	SERIES	BODY	ENGINE	TRANS	TRIM	DESCRIPTION
1	5600 8788	1							ANTENNA, Base Cable And Bracket
2	5600 9081	1							MAST, Antenna
3	5603 8504	1							COVER, Antenna Opening
4	5600 8929	1	J						PLUG, Antenna Hole
5									GROMMET, Antenna, (NOT SERVICED) (Not Serviced)
6	5600 8786	1							CABLE, Antenna
7									SCREW, .164-18x.75, (NOT SERVICED) (Not Serviced)



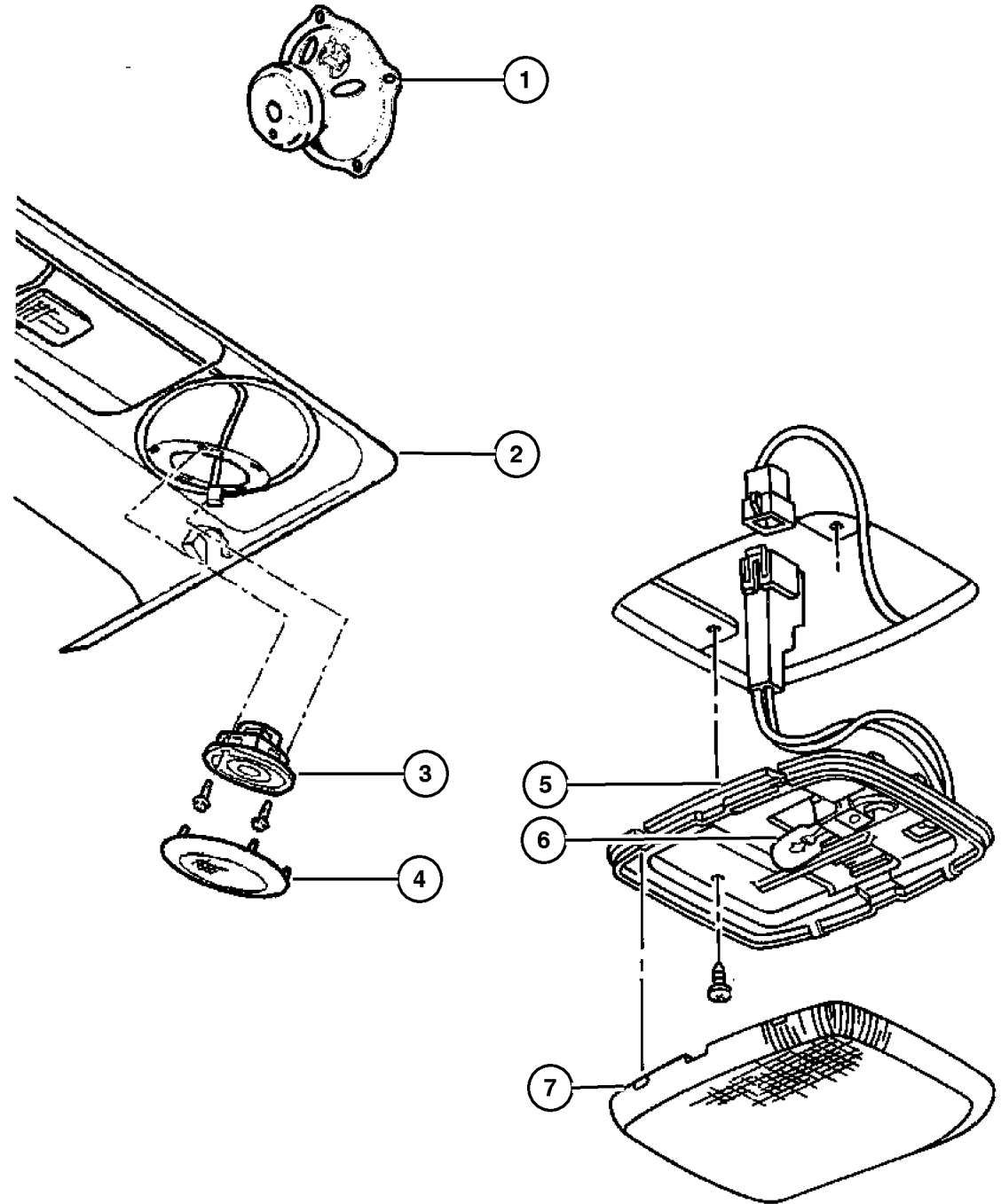
JEEP WRANGLER (TJ)			
SERIES	LINE	BODY	ENGINE
H = Sport	J = Wrangler 4WD	77 = 93.4 WB	EPE, EP0 = 2.5L Power Tech
L = SE	U = Wrangler 4WD (RHD)		ERH, ER0 = 4.0L Power Tech
P = Sahara			

TRANSMISSION
DGG, DGD = 32RH 3 Spd. Auto.
DDQ = 5 Spd. Manual
DDD = 5 Speed HD Manual
DG0 = Auto. Trans.
DBB = Manual Trans.

AR = Use as required - = Non illustrated part # = New this model year

September 16, 2005

## Speakers Figure 08A-325

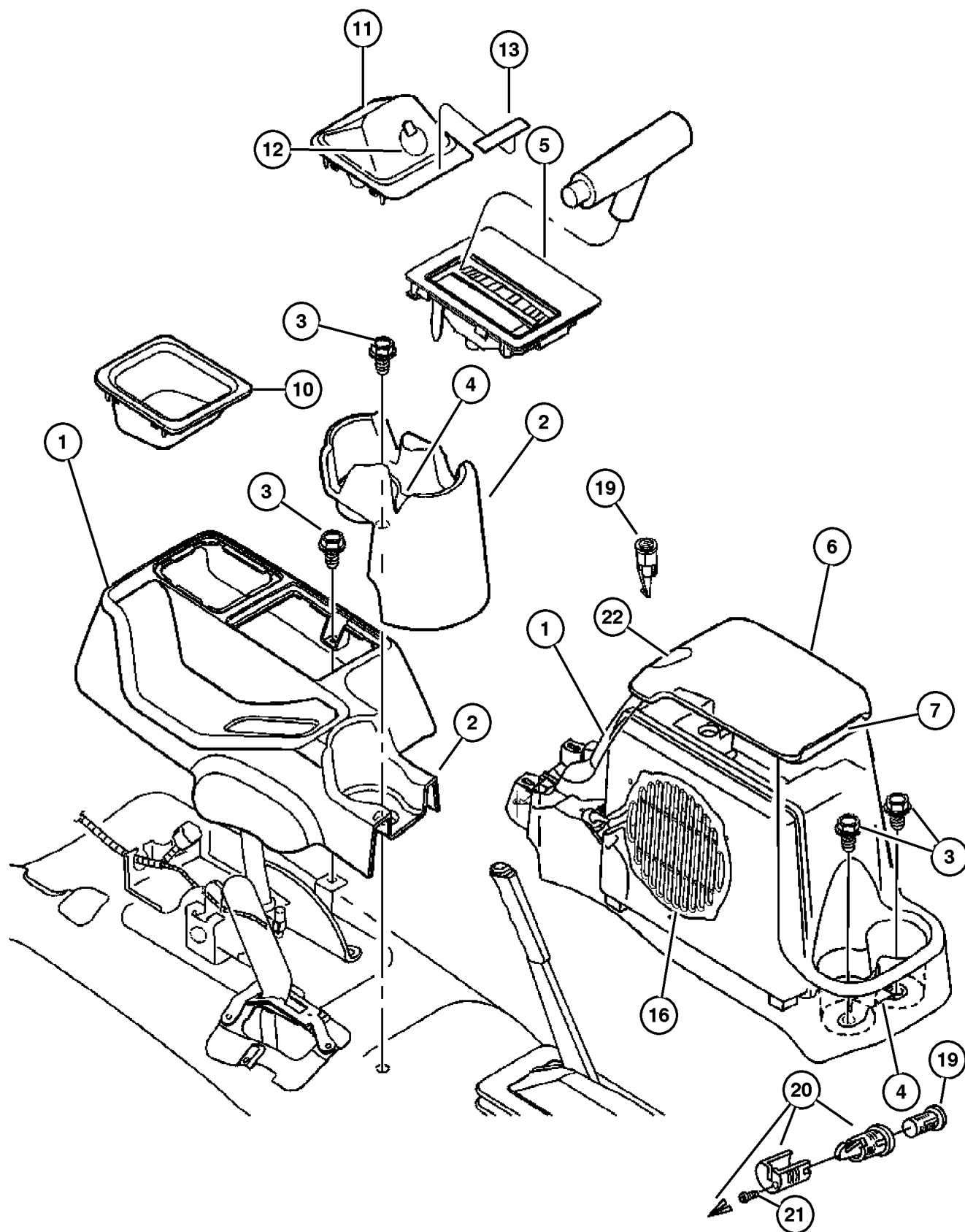


ITEM	PART NUMBER	QTY	LINE	SERIES	BODY	ENGINE	TRANS	TRIM	DESCRIPTION
1	56008 795AC	2							SPEAKER, Instrument Panel
2	4874 294	1							COVER, Soundbar
3	56038 566AB	2							SPEAKER, 5.25"
4	4874 296AB	2							GRILLE, Speaker
5	5600 7264	1							BEZEL, Dome Lamp
6	L000 0912	1							BULB, 912
7	5600 7265	1							LENS, Dome Lamp

<b>JEEP WRANGLER (TJ)</b>			
SERIES	LINE	BODY	ENGINE
H = Sport	J = Wrangler 4WD	77 = 93.4 WB	EPE, EP0 = 2.5L Power Tech
L = SE	U = Wrangler 4WD (RHD)		ERH, ER0 = 4.0L Power Tech
P = Sahara			
			TRANSMISSION
			DGG, DGD = 32RH 3 Spd. Auto.
			DDQ = 5 Spd. Manual
			DDD = 5 Speed HD Manual
			DG0 = Auto. Trans.
			DBB = Manual Trans.

AR = Use as required - = Non illustrated part # = New this model year

Consoles Full & Mini  
Figure 08A-410



ITEM	PART NUMBER	QTY	LINE	SERIES	BODY	ENGINE	TRANS	TRIM	DESCRIPTION
Notes:									
[DG0]= All Automatic Transmissions									
1	5HF13 LAZAB	1							CONSOLE, Floor [AZ] Mini Console or Forward Section of Full Console
	5HF13 RK5AB	1							[KG] Mini Console or Forward Section of Full Console
	5HE62 LAZAC	1							[AZ] Rear Floor Tower with Full Floor Console & without Subwoofer
	5HE62 RK5AA	1							[KG] Rear Floor Tower with Full Floor Console & without Subwoofer
	WS46 LAZAA	1							[K5] Rear Floor Tower with Full Floor Console & with Subwoofer
	WS46 RK5AA	1							[KG] Rear Floor Tower with Full Floor Console & with Subwoofer
		1							[AZ] Rear Floor Tower with Full Floor Console & with Subwoofer
	5HE62 LAZAA	1							CUPHOLDER, Console
2	55315 038AB	1							Dual Cupholder (Full Floor Console)
	5HJ98 LAZAA	1							Cupholder (Rear of Mini Floor Console)
3									SCREW, 0.190-16x.875, (NOT SERVICED) (Not Serviced)
4	55315 050AA	1							MAT, Floor, Double Cupholder Mat
5									BEZEL AND DIAL, Gearshift Lever
	55115 570AB	1			J				
	55115 571AB	1			U				
6	5HE63 LAZAC	1							LID, Center Console Storage [AZ] (Latch & Hinge Included)
	5HE63 RK5AC	1							[KG] (Latch & Hinge Included)
7	55315 039AB	1							HINGE, Floor Console Lid
-8									STRIKER, Console Lid Catch, Serviced in Console, (NOT SERVICED) (Not Serviced)
-9	55315 051AA-	2							BUMPER, Glove Box Door
10	56047 002AA	1			J				BEZEL, Floor Console, Passenger Airbag Disarm
11	56010 301AA	1							SWITCH, Passenger Airbag Disarm
12									COVER, Switch Opening

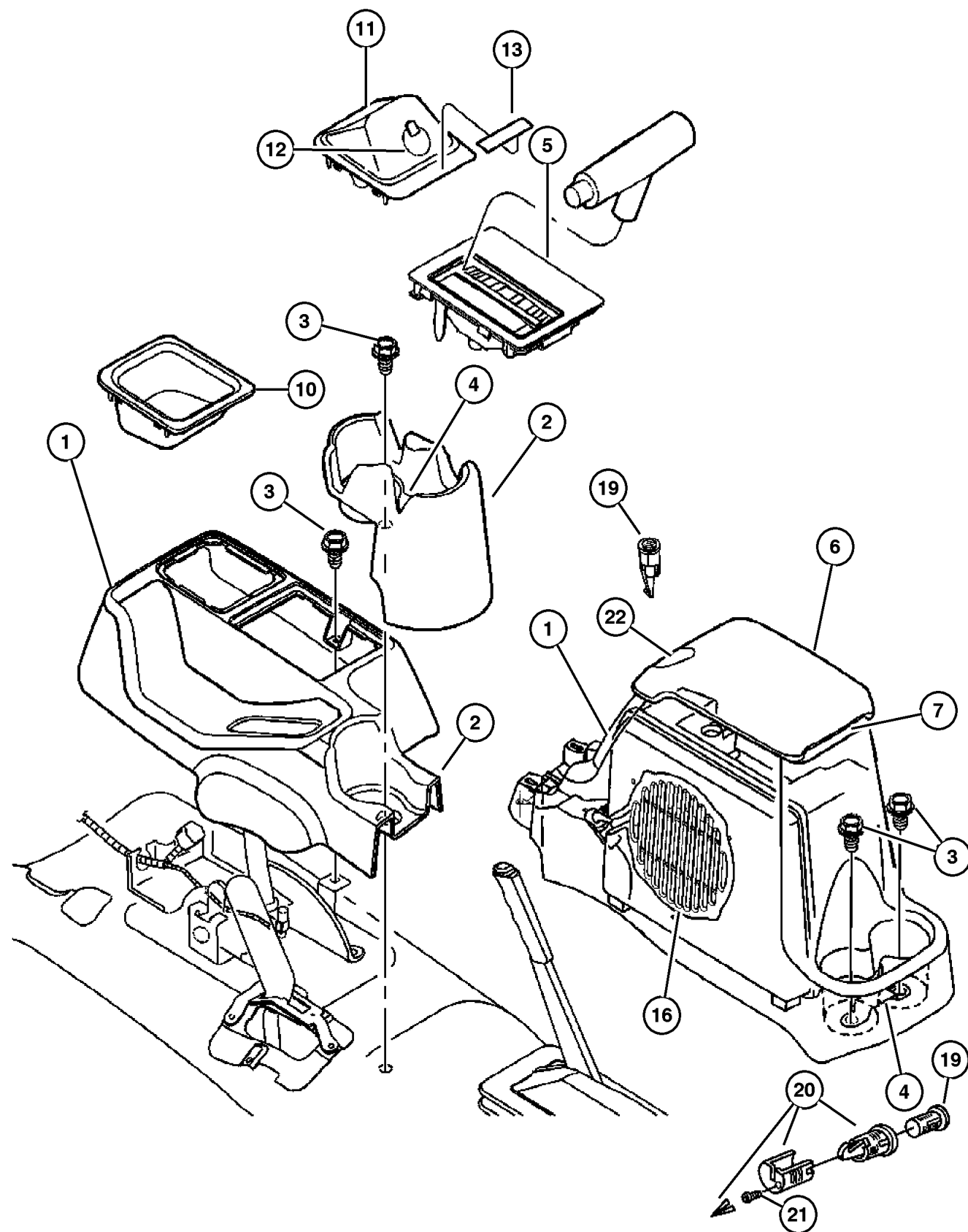
JEEP WRANGLER (TJ)

SERIES	LINE	BODY	ENGINE	TRANSMISSION
H = Sport	J = Wrangler 4WD	77 = 93.4 WB	EPE, EP0 = 2.5L Power Tech	DGG, DGD = 32RH 3 Spd. Auto.
L = SE	U = Wrangler 4WD (RHD)		ERH, ER0 = 4.0L Power Tech	DDQ = 5 Spd. Manual
P = Sahara				DDD = 5 Speed HD Manual
				DG0 = Auto. Trans.
				DBB = Manual Trans.

AR = Use as required - = Non illustrated part # = New this model year

September 16, 2005

Consoles Full & Mini  
Figure 08A-410



ITEM	PART NUMBER	QTY	LINE	SERIES	BODY	ENGINE	TRANS	TRIM	DESCRIPTION
	5012 482AA	AR							
		1	U						
13	55315 001AA	1	J						LABEL, Air Bag Warning
-14	55315 000AB-	1	J						PLUG, Cover, With Tether
-15									BIN, Storage
	55315 040AA-	1							Full Console Rear (No Compact Disc Storage)
	55315 042AB-	1							Compact Disc Storage
16	56038 609AC	1							SPEAKER, Sub Woofer, Full
									Console Rear
-17	55315 043AB-	1							PLATE, Speaker, Full Console without Sub Woofer Speaker
-18	6034 833	2	J						CLIP, Push, .164-7.5, Hinge to Console Base
19	4746 305	1							CYLINDER, Console Lock
20	4741 954	1							LATCH, Storage Bin Lid
21									SCREW, (NOT SERVICED) (Not Serviced)
22	55315 041AA	1							LATCH, Armrest Lid, Latch clamp

JEEP WRANGLER (TJ)

SERIES	LINE	BODY	ENGINE	TRANSMISSION
H = Sport	J = Wrangler 4WD	77 = 93.4 WB	EPE, EP0 = 2.5L Power Tech	DGG, DGD = 32RH 3 Spd. Auto.
L = SE	U = Wrangler 4WD (RHD)		ERH, ER0 = 4.0L Power Tech	DDQ = 5 Spd. Manual
P = Sahara				DDD = 5 Speed HD Manual
				DG0 = Auto. Trans.
				DBB = Manual Trans.

AR = Use as required - = Non illustrated part # = New this model year

September 16, 2005

# Group – 009

## Engine Mounting

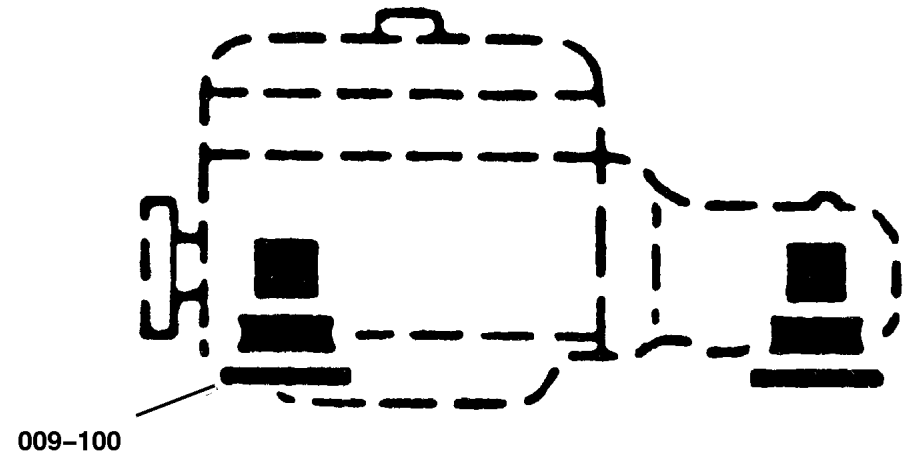
### GROUP 9 - Engine Mounting

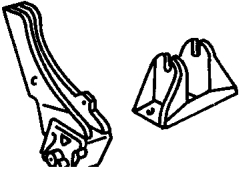
Illustration Title

Group-Fig. No.

#### Engine Mounting

Engine Mounting, Front, 2.5 (EPE) .....	Fig. 009-110
Engine Mounting, Rear, 2.5 (EPE) .....	Fig. 009-120
Engine Mounting, Front, 4.0 (ERH) .....	Fig. 009-130
Engine Mounting, Rear, 4.0 (ERH) .....	Fig. 009-140



<p><b>009-100</b> Engine Mounting</p> 			
---	--	--	--

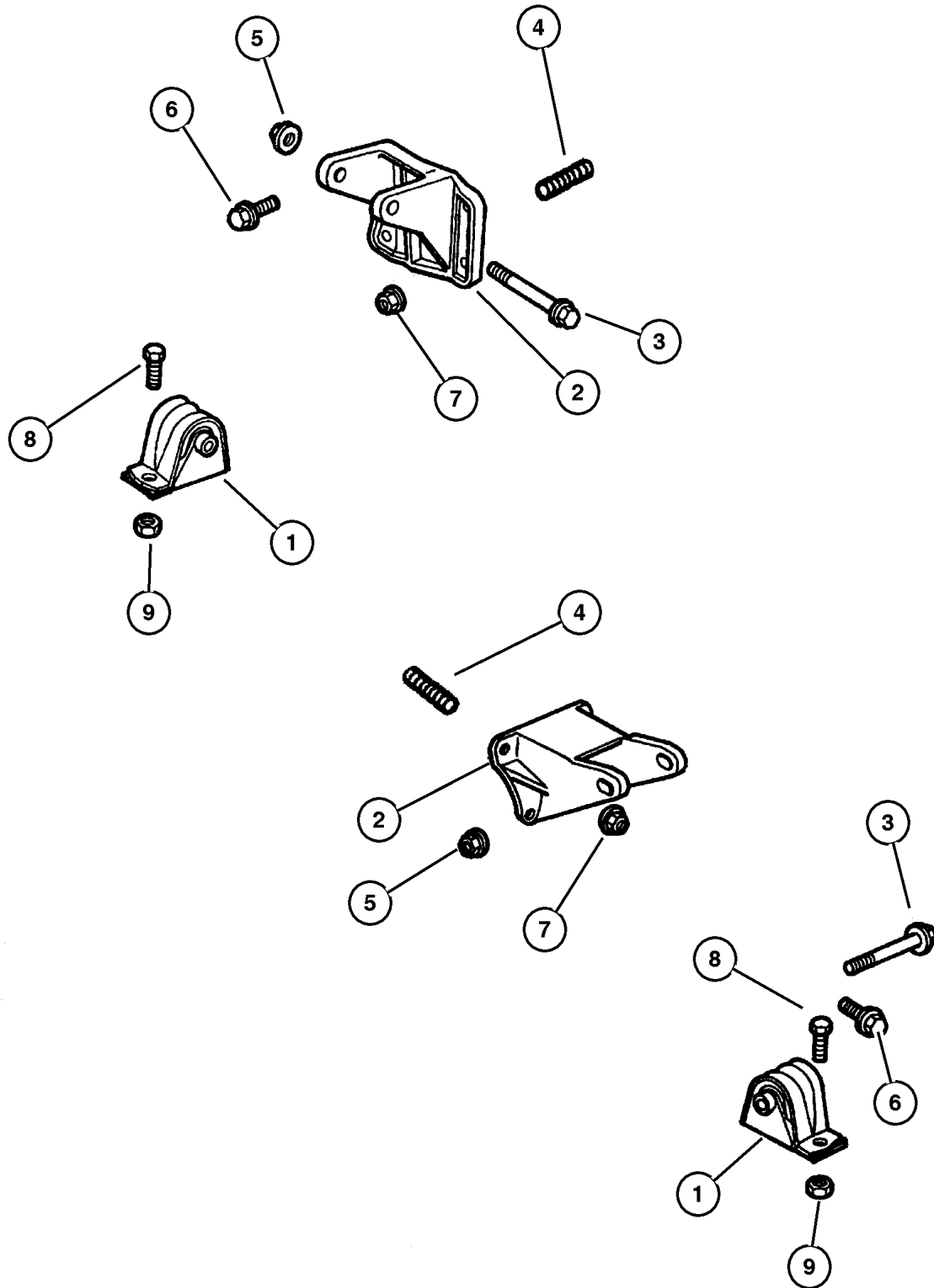


**Engine Mounting, Front, 2.5 (EPE)  
Figure 009-110**

ITEM	PART NUMBER	QTY	LINE	SERIES	BODY	ENGINE	TRANS	TRIM	DESCRIPTION
------	-------------	-----	------	--------	------	--------	-------	------	-------------

NOTE: EP0=All 2.5L Gas Engines

1	52019 276AB	2				EP0			INSULATOR, Engine Mount
2	5201 8696	1				EP0			BRACKET, Engine Mount Right
	5201 8697	1				EP0			Left
3	3420 2606	2				EP0, ER0			BOLT, Hex Head
4	6033 883	3				EP0			STUD, .375-16x2.00"
5	6502 697	2							NUT, Hex Flange Lock, M12x1.75
6	6036 176AA	5				EP0			SCREW, Hex Head, .375-16x1.125
7	0152 474	3				EP0			NUT, Hex Flange Lock, .375-16
8	6502 137	2							BOLT, Hex Flange Head, M10x1. 50x35
9	6502 696	2							NUT, Hex Flange Lock, M10x1.5



**JEEP WRANGLER (TJ)**

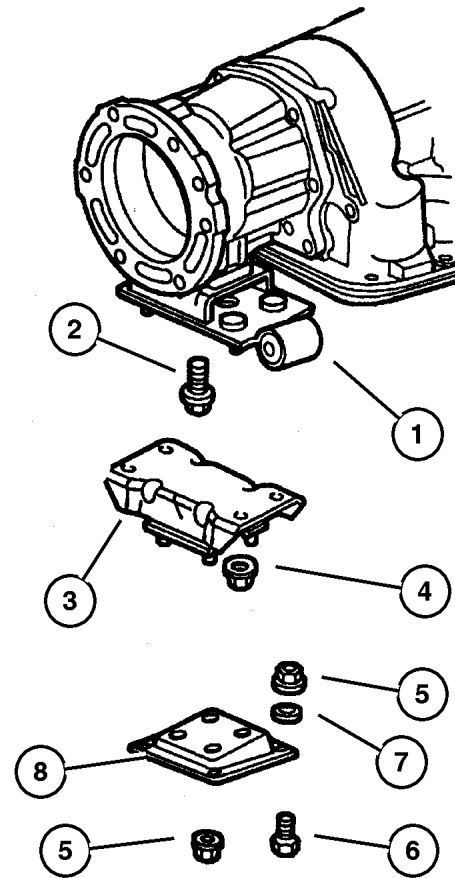
SERIES	LINE	BODY	ENGINE	TRANSMISSION
H = Sport	J = Wrangler 4WD	77 = 93.4 WB	EPE, EP0 = 2.5L Power Tech	DGG, DGD = 32RH 3 Spd. Auto.
L = SE	U = Wrangler 4WD (RHD)		ERH, ER0 = 4.0L Power Tech	DDQ = 5 Spd. Manual
P = Sahara				DDD = 5 Speed HD Manual
				DG0 = Auto. Trans.
				DBB = Manual Trans.

AR = Use as required - = Non illustrated part # = New this model year

September 16, 2005

**Engine Mounting, Rear, 2.5 (EPE)  
Figure 009-120**

ITEM	PART NUMBER	QTY	LINE	SERIES	BODY	ENGINE	TRANS	TRIM	DESCRIPTION
NOTE: EP0=All 2.5L Gas Engines DDO= All Manual Transmission DG0=All Automatic Transmissions									
1									BRACKET, Transmission Mount
	52058 548AB	1					DG0		
	5205 8618	1				EP0	DD0		
2									BOLT, .437-14x1.120, (NOT SERVICED) (Not Serviced)
3	52058 551AB	1							MOUNT, Transmission
4	6502 337	4							NUT, M10x1.5
5	6100 517	4							NUT, Hex Flange Lock, M8 Phosphate
6									BOLT, M8x1.25x25.00, (NOT SERVICED) (Not Serviced)
7									WASHER, (NOT SERVICED) (Not Serviced)
8									BRACKET, Transmission Mount
	5205 8863	1					DG0		
	5205 8618	1				EP0	DD0		



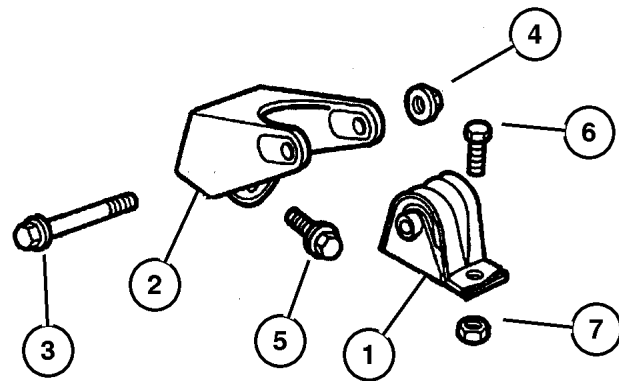
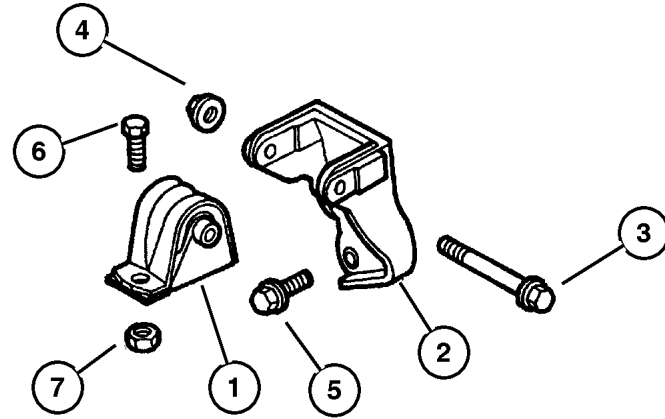
<b>JEEP WRANGLER (TJ)</b>				
SERIES	LINE	BODY	ENGINE	TRANSMISSION
H = Sport	J = Wrangler 4WD	77 = 93.4 WB	EPE, EP0 = 2.5L Power Tech	DGG, DGD = 32RH 3 Spd. Auto.
L = SE	U = Wrangler 4WD (RHD)		ERH, ER0 = 4.0L Power Tech	DDQ = 5 Spd. Manual
P = Sahara				DDD = 5 Speed HD Manual
				DG0 = Auto. Trans.
				DBB = Manual Trans.

AR = Use as required - = Non illustrated part # = New this model year

September 16, 2005

**Engine Mounting, Front, 4.0 (ERH)  
Figure 009-130**

ITEM	PART NUMBER	QTY	LINE	SERIES	BODY	ENGINE	TRANS	TRIM	DESCRIPTION
NOTE: ER0=All 4.0L Engines									
1	52019 278AB	2				ER0			INSULATOR, Engine Mount
2	52059 284AA	1				ER0			BRACKET, Engine Mount Right
	52059 285AA	1				ER0			Left
3	3420 2606	2				EP0, ER0			BOLT, Hex Head
4	6502 697	2							NUT, Hex Flange Lock, M12x1.75
5	6503 699	6				ER0			SCREW AND WASHER, Hex Head, M10x1.5x28
6	6502 137	2							BOLT, Hex Flange Head, M10x1. 50x35
7	6502 696	2							NUT, Hex Flange Lock, M10x1.5



**JEEP WRANGLER (TJ)**

SERIES	LINE	BODY	ENGINE	TRANSMISSION
H = Sport	J = Wrangler 4WD	77 = 93.4 WB	EPE, EP0 = 2.5L Power Tech	DGG, DGD = 32RH 3 Spd. Auto.
L = SE	U = Wrangler 4WD (RHD)		ERH, ER0 = 4.0L Power Tech	DDQ = 5 Spd. Manual
P = Sahara				DDD = 5 Speed HD Manual
				DG0 = Auto. Trans.
				DBB = Manual Trans.

AR = Use as required - = Non illustrated part # = New this model year

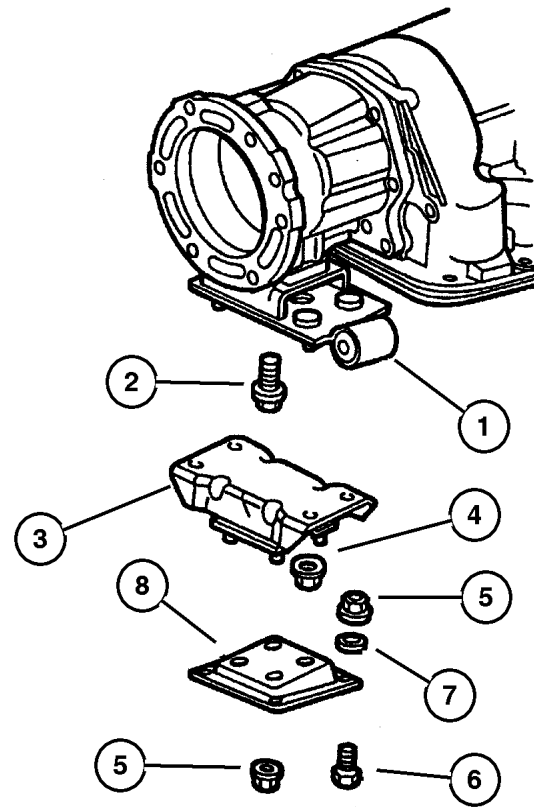
September 16, 2005

**Engine Mounting, Rear, 4.0 (ERH)  
Figure 009-140**

ITEM	PART NUMBER	QTY	LINE	SERIES	BODY	ENGINE	TRANS	TRIM	DESCRIPTION
------	-------------	-----	------	--------	------	--------	-------	------	-------------

NOTE: ER0=All 4.0L Engines DDO= All Manual Transmission DG0=All Automatic Transmissions

1									BRACKET, Transmission Mount
	52058 546AB	1				ER0	DD0		
	52058 548AB	1					DG0		
2									BOLT, .437-14x1.120, (NOT SERVICED) (Not Serviced)
3	52058 551AB	1							MOUNT, Transmission
4	6502 337	4							NUT, M10x1.5
5	6100 517	4							NUT, Hex Flange Lock, M8 Phosphate
6									BOLT, M8x1.25x25.00, (NOT SERVICED) (Not Serviced)
7									WASHER, (NOT SERVICED) (Not Serviced)
8	5205 8863	1					DG0		BRACKET, Transmission Mount



**JEEP WRANGLER (TJ)**

SERIES	LINE	BODY	ENGINE	TRANSMISSION
H = Sport	J = Wrangler 4WD	77 = 93.4 WB	EPE, EP0 = 2.5L Power Tech	DGG, DGD = 32RH 3 Spd. Auto.
L = SE	U = Wrangler 4WD (RHD)		ERH, ER0 = 4.0L Power Tech	DDQ = 5 Spd. Manual
P = Sahara				DDD = 5 Speed HD Manual
				DG0 = Auto. Trans.
				DBB = Manual Trans.

AR = Use as required - = Non illustrated part # = New this model year

September 16, 2005

# Group – 2.5L4

## Engine 2.5L Four Cylinder

### GROUP 2.5L4 - Engine 2.5L Four Cylinder

Illustration Title

Group-Fig. No.

#### Cylinder Head

Cylinder Head, 2.5 (EPE) ..... Fig. 2.5L4-210

#### Cylinder Block

Cylinder Block, 2.5 (EPE) ..... Fig. 2.5L4-310

#### Crankshaft, Piston and Drive Plate

Crankshaft, Piston and Torque Converter, 2.5 (EPE) ..... Fig. 2.5L4-410

#### Camshafts & Valves

Camshaft and Valves, 2.5 (EPE) ..... Fig. 2.5L4-510

#### Timing Belt and Cover

Timing Cover, 2.5 (EPE) ..... Fig. 2.5L4-610

#### Engine Oiling

Engine Oiling, 2.5 (EPE) ..... Fig. 2.5L4-710

#### Manifolds

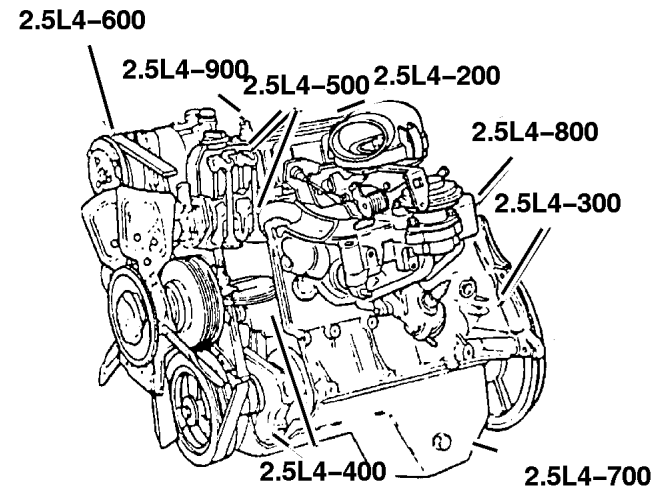
Manifold, Intake and Exhaust, 2.5 (EPE) ..... Fig. 2.5L4-810

#### Crankcase Ventilation

Crankcase Ventilation, 2.5 (EPE) ..... Fig. 2.5L4-910

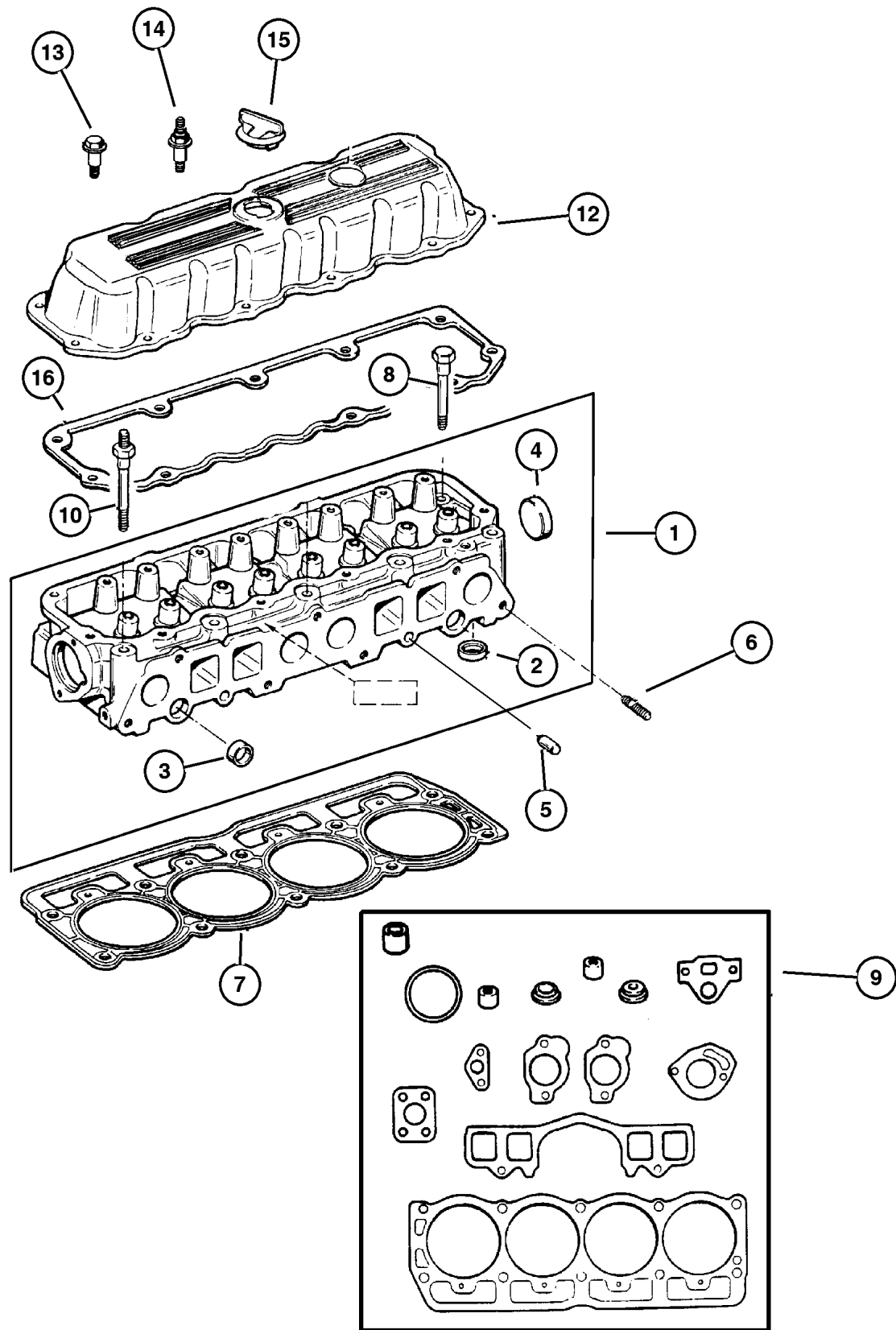
1	2	3000	3000	3000000
Head	Block	Crankshaft	Camshaft	Valves
2.5L4-200	2.5L4-300	2.5L4-400	2.5L4-500	2.5L4-600

2.5L4-100



<p><b>2.5L4-200</b> Cylinder Head</p>	<p><b>2.5L4-300</b> Cylinder Block</p>	<p><b>2.5L4-400</b> Crankshaft, Piston and Drive Plate</p>	<p><b>2.5L4-500</b> Camshafts &amp; Valves</p>
<p><b>2.5L4-600</b> Timing Belt and Cover</p>	<p><b>2.5L4-700</b> Engine Oiling</p>	<p><b>2.5L4-800</b> Manifolds</p>	<p><b>2.5L4-900</b> Crankcase Ventilation</p>

**Cylinder Head, 2.5 (EPE)  
Figure 2.5L4-210**



ITEM	PART NUMBER	QTY	LINE	SERIES	BODY	ENGINE	TRANS	TRIM	DESCRIPTION
NOTE: EP0=All 2.5L Gas Engines DBB=All Manual Transmissions DG0=All Automatic Transmissions									
1	33007 115AB	1				EP0			HEAD, Cylinder
2	3300 7142	4				EP0			SEAT, Exhaust Valve
3	J317 2319	4				EP0			PLUG, Cylinder Block Oil Hole
4	J310 5394	1				EP0			PLUG, Cylinder Block Oil Hole
5	J317 2318	2				EP0,			DOWEL, Cylinder Head To Intake
6	6036 193AA	2				EP0,			STUD, .375-16/.375-24x1.75
7	53009 549AB	1				EP0			GASKET, Cylinder Head
8	6035 514	5				EP0			BOLT, Cylinder Head
9	4798 992AC	1				EP0			GASKET PACKAGE, Engine
10	6035 516	4				EP0			STUD, Double Ended, .50-13/.437-14x6.00
-11	6036 162AA-	1				EP0			STUD, Double Ended, [.50-13/.437-14x6.0]
12	53010 428AB	1				EP0			COVER, Cylinder Head
13	6035 566	1				EP0			BOLT, Hex Flange Head, .250-20x1.00
14	6035 968AA	10				EP0			STUD, .250-20x2.00
15	5302 0555	1				EP0			CAP, Oil Filler
16									SEALANT, RTV, RTV Sealant, (NOT SERVICED) (Not Serviced)

**JEEP WRANGLER (TJ)**

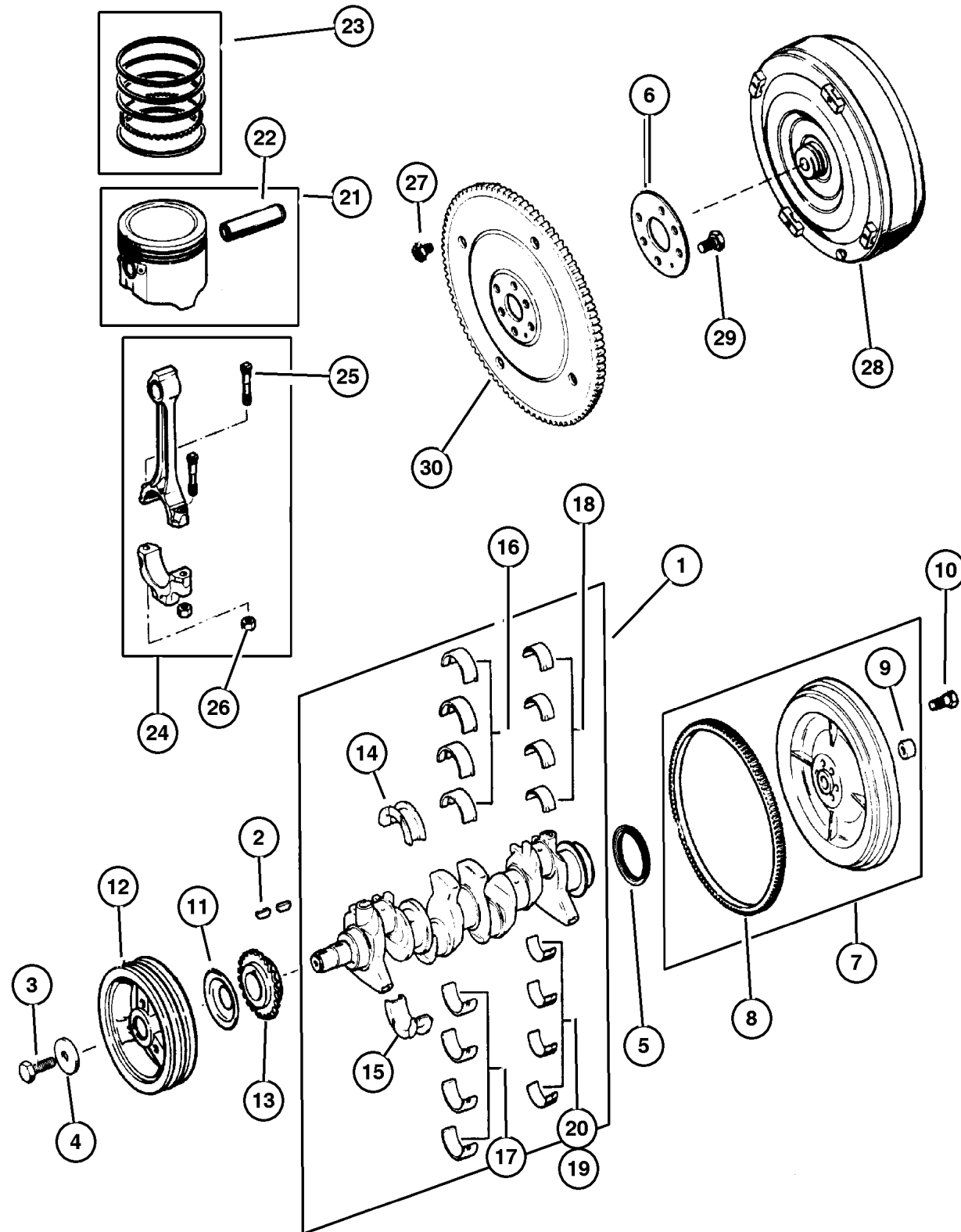
SERIES	LINE	BODY	ENGINE	TRANSMISSION
H = Sport	J = Wrangler 4WD	77 = 93.4 WB	EPE, EP0 = 2.5L Power Tech	DGG, DGD = 32RH 3 Spd. Auto.
L = SE	U = Wrangler 4WD (RHD)		ERH, ER0 = 4.0L Power Tech	DDQ = 5 Spd. Manual
P = Sahara				DDD = 5 Speed HD Manual
				DG0 = Auto. Trans.
				DBB = Manual Trans.

AR = Use as required - = Non illustrated part # = New this model year

September 16, 2005



**Crankshaft, Piston and Torque Converter, 2.5 (EPE)  
Figure 2.5L4-410**



ITEM	PART NUMBER	QTY	LINE	SERIES	BODY	ENGINE	TRANS	TRIM	DESCRIPTION
NOTE: EP0=All 2.5L Gas Engines DBB=All Manual Transmissions DG0=All Automatic Transmissions DGD=3 Speed Automatic Transmissions									
1	4713 051AB	1				EP0			CRANKSHAFT
2	6034 749	1				EP0, ER0			KEY, Crankshaft Sprocket
3	0182 776	1				EP0, ER0			BOLT
4	J323 0155	1				EP0, ER0			WASHER, Plain
5	3300 4143	1				EP0			SEAL, Rear Main Crankshaft
6	5211 7830	1				EP0	DG0		ADAPTER, Torque Converter
7	5302 0578	1				EP0	DBB		FLYWHEEL
8	J324 1718	1				EP0	DBB		GEAR, Ring
9	53009 180AB	1				ER0	DBB		BEARING, Pilot, For 2.5 Engine, Serviced in Flywheel
10	J400 7123	6				EP0	DBB		BOLT, Flywheel
11									SLINGER, Oil, (NOT REQUIRED)
12	33002 879AB	1				EP0			DAMPER, Crankshaft
13	3300 4020	1				EP0			GEAR, Crankshaft
14	8350 7084	1				EP0, ER0			BEARING PACKAGE, Crankshaft Thrust, Standard Size
15	8350 7086	AR				EP0, ER0			BEARING PACKAGE, Crankshaft Thrust, .001" Undersize
16	8350 7079	4				EP0			BEARING PACKAGE, Crankshaft, Standard
17	8350 7080	AR				EP0, ER0			BEARING PACKAGE, Crankshaft, .001 Undersize
18	83500 300AB	4				EP0			BEARING KIT, Connecting Rod, Standard
19	83501 397AB	AR				EP0, ER0			BEARING KIT, Connecting Rod, .001 Undersize
20	83500 301AB	AR				EP0, ER0			BEARING PACKAGE, Connecting Rod, .010 Undersize
21									PISTON PIN AND ROD
	4798 329AC	4				EP0			B Size, 3.8746
	4798 330AC	4				EP0			C Size, 3.8750
	4798 331AC	4				EP0			D Size, 3.8754
	4798 332AC	4				EP0			E Size, 3.8758
	4798 333AC	4				EP0			F Size, 3.8762
22									PIN, Piston, Serviced in Piston Assembly, (NOT SERVICED) (Not Serviced)

**JEEP WRANGLER (TJ)**

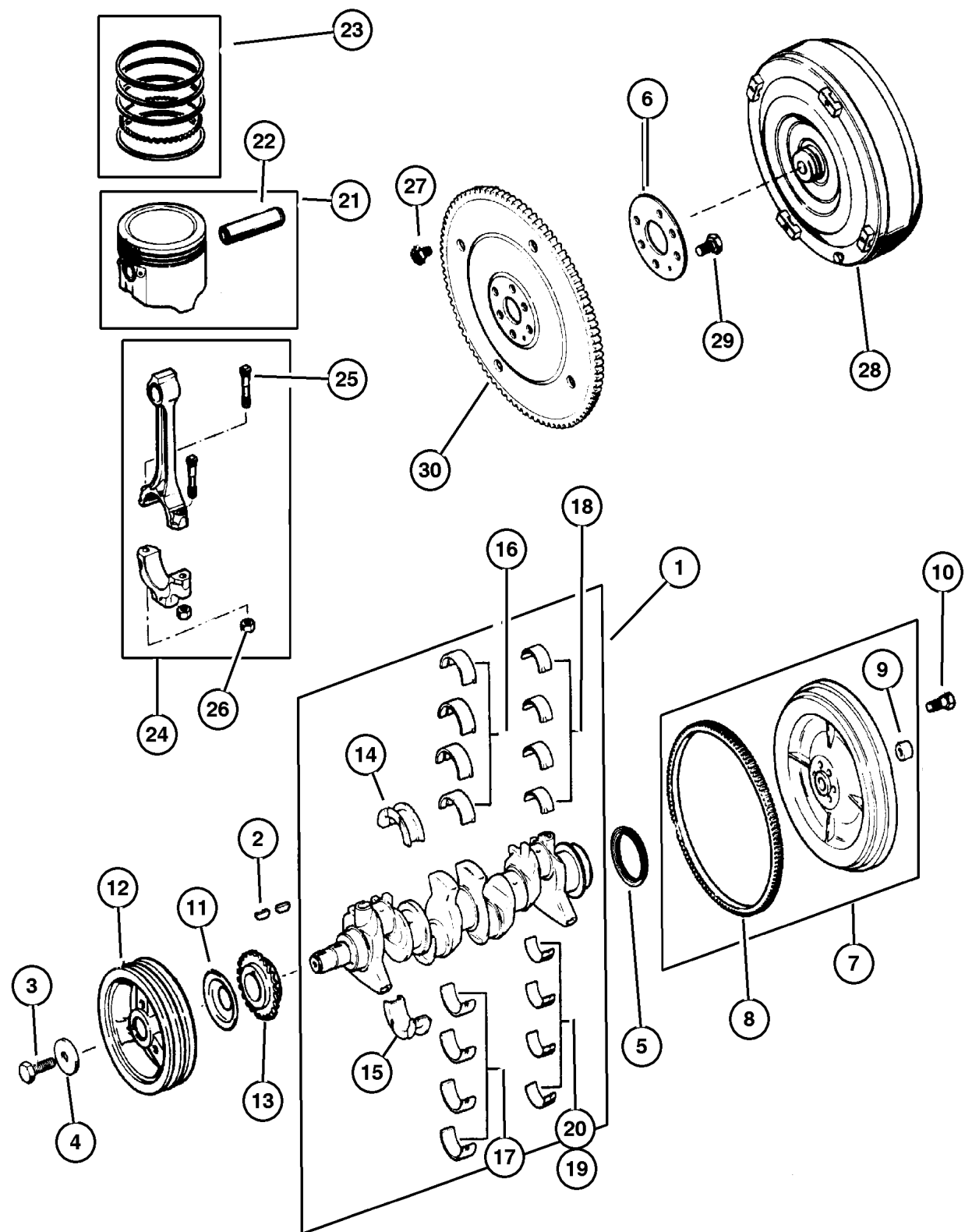
SERIES	LINE	BODY	ENGINE	TRANSMISSION
H = Sport	J = Wrangler 4WD	77 = 93.4 WB	EPE, EP0 = 2.5L Power Tech	DGG, DGD = 32RH 3 Spd. Auto.
L = SE	U = Wrangler 4WD (RHD)		ERH, ER0 = 4.0L Power Tech	DDQ = 5 Spd. Manual
P = Sahara				DDD = 5 Speed HD Manual
				DG0 = Auto. Trans.
				DBB = Manual Trans.

AR = Use as required - = Non illustrated part # = New this model year

September 16, 2005



**Crankshaft, Piston and Torque Converter, 2.5 (EPE)  
Figure 2.5L4-410**



ITEM	PART NUMBER	QTY	LINE	SERIES	BODY	ENGINE	TRANS	TRIM	DESCRIPTION
23	4798 324	1				EPO			RING PACKAGE, Piston, Standard Size Complete Engine
24									ROD, Connecting, Serviced in Piston Assembly, (NOT SERVICED) (Not Serviced)
25	5302 0123	8				EPO			BOLT, Connecting Rod
26	J400 6385	8				EPO			NUT, Hex Flange, .3437-24
27	6501 099	4	J				DGD		BOLT, Hex Head, M10x1.50 x 13.20
28	4736 388AB	1	J			EPO	DGD		CONVERTER, Torque
29	6034 780	6				EPO	DG0		BOLT, Hex Head, .437-24x1.20
30	5210 4139	1				EPO	DG0		PLATE, Torque Converter Drive

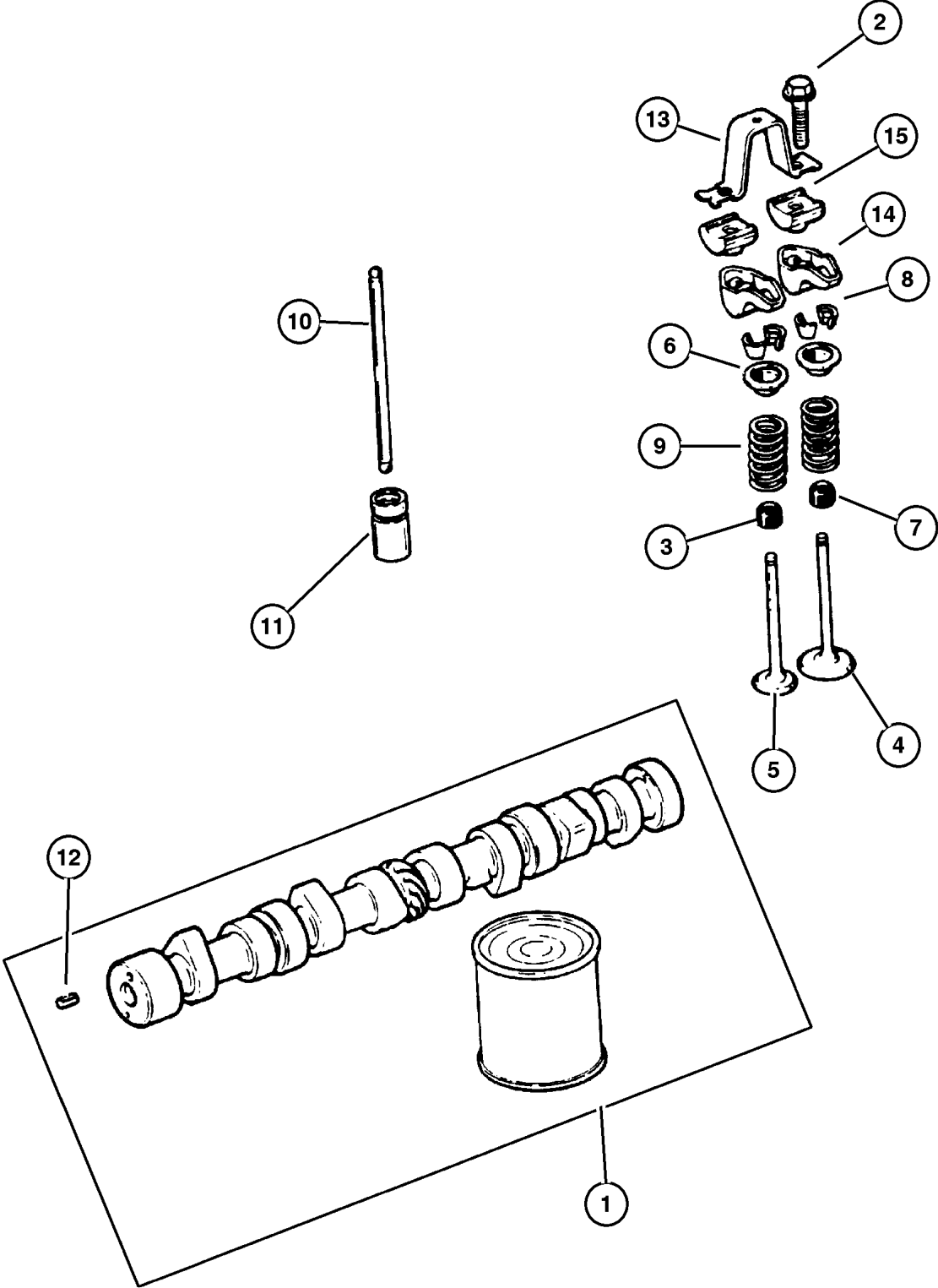
**JEEP WRANGLER (TJ)**

SERIES	LINE	BODY	ENGINE	TRANSMISSION
H = Sport	J = Wrangler 4WD	77 = 93.4 WB	EPE, EPO = 2.5L Power Tech	DGG, DGD = 32RH 3 Spd. Auto.
L = SE	U = Wrangler 4WD (RHD)		ERH, ER0 = 4.0L Power Tech	DDQ = 5 Spd. Manual
P = Sahara				DDD = 5 Speed HD Manual
				DG0 = Auto. Trans.
				DBB = Manual Trans.

AR = Use as required - = Non illustrated part # = New this model year

September 16, 2005

**Camshaft and Valves, 2.5 (EPE)  
Figure 2.5L4-510**



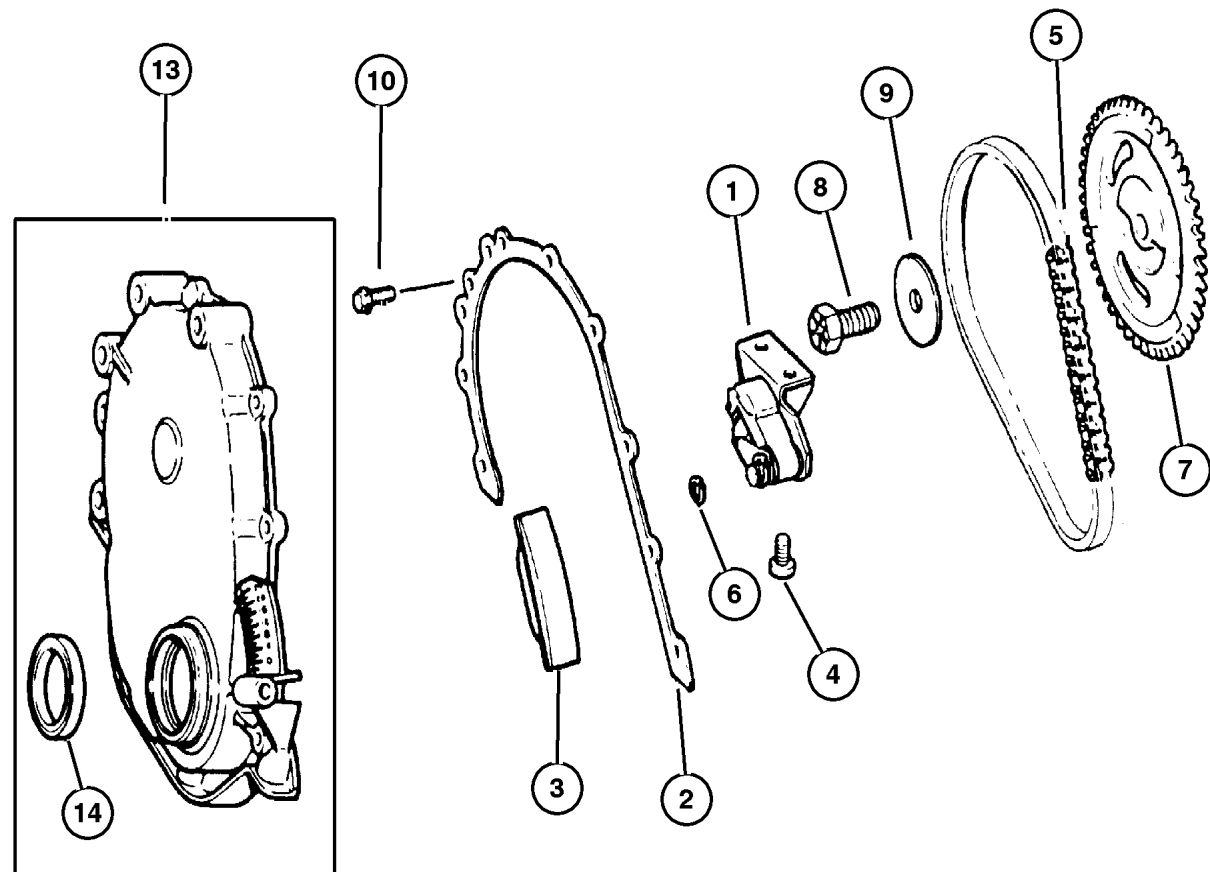
ITEM	PART NUMBER	QTY	LINE	SERIES	BODY	ENGINE	TRANS	TRIM	DESCRIPTION
NOTE: EP0=All 2.5L Gas Engines									
1	5302 0497	1				EP0			CAMSHAFT, Engine
2	J942 5708	8				EP0			BOLT, Hex Flange Head, .312-18x1.25
3	5300 9887	4				EP0			SEAL, Valve Guide, Exhaust
4	53010 512AA	4				EP0			VALVE, Intake, Standard
5	53010 513AA	4				EP0			VALVE, Exhaust, Standard
6	53010 514AA	8				EP0			RETAINER, Valve Spring
7	5300 9886	4				EP0			SEAL, Valve Guide, Intake
8	53010 515AA	16				EP0			LOCK, Valve Spring Retainer
9	5301 0388	8				EP0			SPRING, Valve
10	J324 1709	8				EP0			PUSH ROD, Valve
11	4740 269	8				EP0			TAPPET, Valve
12	J045 6384	1				EP0			DOWEL, Camshaft Sprocket
13	J323 6513	4				EP0			BRIDGE, Rocker Arm
14	J324 2393	8				EP0			ROCKER ARM, Valve
15	J323 5090	8				EP0			PIVOT, Rocker Arm

JEEP WRANGLER (TJ)				TRANSMISSION
SERIES	LINE	BODY	ENGINE	
H = Sport	J = Wrangler 4WD	77 = 93.4 WB	EPE, EP0 = 2.5L Power Tech	DGG, DGD = 32RH 3 Spd. Auto.
L = SE	U = Wrangler 4WD (RHD)		ERH, ER0 = 4.0L Power Tech	DDQ = 5 Spd. Manual
P = Sahara				DDD = 5 Speed HD Manual
				DG0 = Auto. Trans.
				DBB = Manual Trans.

AR = Use as required - = Non illustrated part # = New this model year

September 16, 2005

Timing Cover, 2.5 (EPE)  
Figure 2.5L4-610



ITEM	PART NUMBER	QTY	LINE	SERIES	BODY	ENGINE	TRANS	TRIM	DESCRIPTION
NOTE: EP0=All 2.5L Gas Engines									
1	3300 3421	1				EP0			TENSIONER, Belt
2	5302 0487	1				EP0			GASKET, Front Cover
3	3300 3446	1				EP0, ER0			SNUBBER, Timing Chain
4	J400 6708	2				EP0			SCREW, Pan Head, .312-18x.56
5	J324 2300	1				EP0			CHAIN, Timing
6									CLIP, Serviced in Tensioner Assembly, (NOT SERVICED) (Not Serviced)
7	J324 2280	1				EP0			GEAR, Camshaft
8	J324 3156	1				EP0			BOLT, Hex Flange Head, .50-20x1.38
9	J317 3284	1				EP0			WASHER, Flat, .206 Diameter
10	6035 893	5				EP0, ER0			BOLT, Hex
-11	6035 894	2				EP0, ER0			SCREW
-12	6035 895	1				EP0			SCREW
13	5302 0222	1				EP0			COVER, Timing Belt
14	3300 4681	1				EP0			SEAL, Front Main Crankshaft

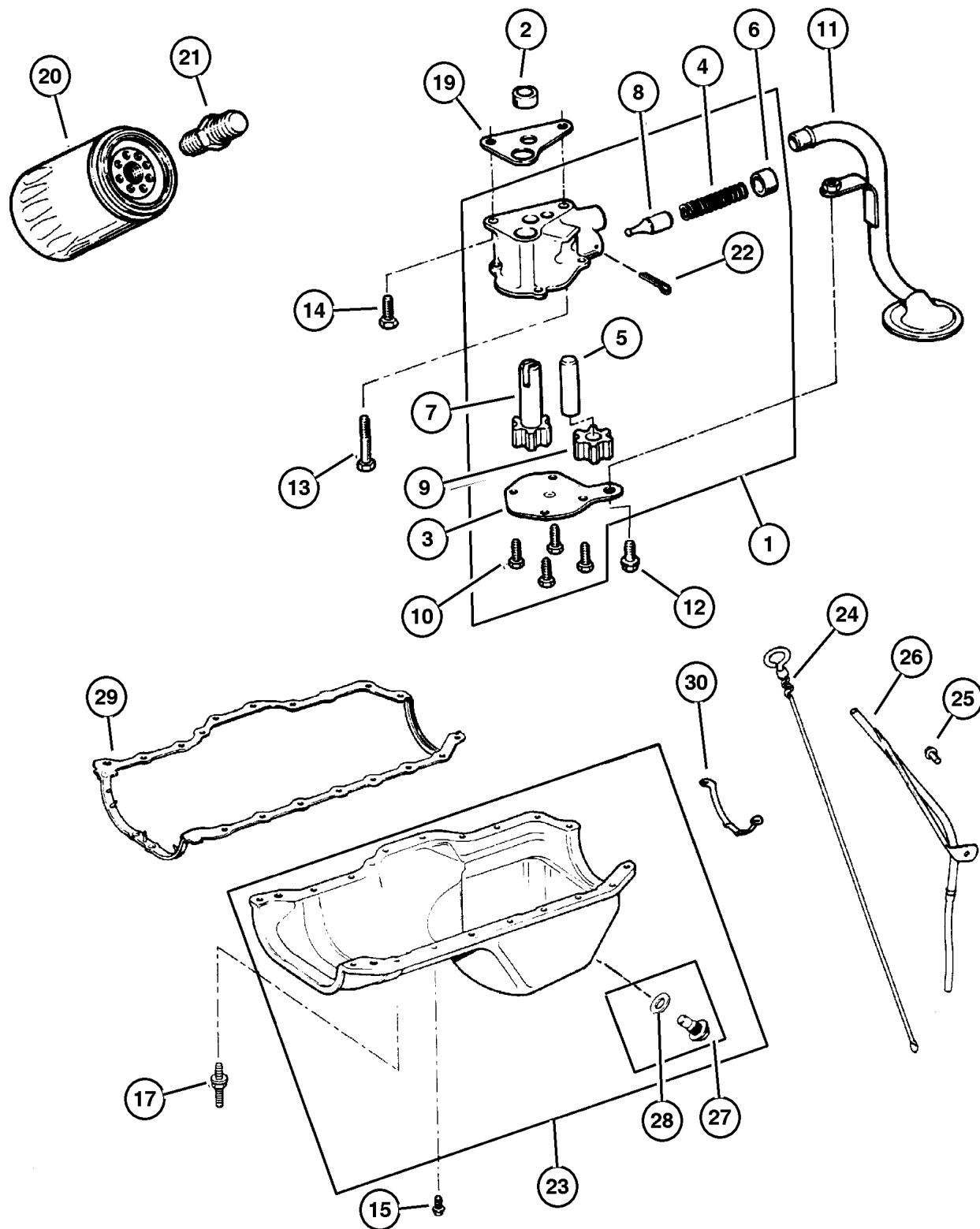
JEEP WRANGLER (TJ)

SERIES	LINE	BODY	ENGINE	TRANSMISSION
H = Sport	J = Wrangler 4WD	77 = 93.4 WB	EPE, EP0 = 2.5L Power Tech	DGG, DGD = 32RH 3 Spd. Auto.
L = SE	U = Wrangler 4WD (RHD)		ERH, ER0 = 4.0L Power Tech	DDQ = 5 Spd. Manual
P = Sahara				DDD = 5 Speed HD Manual
				DG0 = Auto. Trans.
				DBB = Manual Trans.

AR = Use as required - = Non illustrated part # = New this model year

September 16, 2005

**Engine Oiling, 2.5 (EPE)  
Figure 2.5L4-710**



ITEM	PART NUMBER	QTY	LINE	SERIES	BODY	ENGINE	TRANS	TRIM	DESCRIPTION
Note; EP0= All 2.5L 4 Cylinder Gas Engines ER0= All 4.0L 6 Cylinder Gas Engines									
1	J324 1399	1				EP0			PUMP, Engine Oil
2	J400 5149	1				EP0, ER0			DOWEL, Oil Pump
3	J324 1733	1				EP0			COVER, Engine Oil Pump
4	J323 9668	1				EP0			SPRING, Oil Pressure Relief Valve
5	J317 1956	1				EP0			SHAFT, Oil Pump
6	J317 1958	1				EP0			RETAINER, Oil Release Valve
7	J317 2334	1				EP0			GEAR, Oil Pump
8	J318 8661	1				EP0			PLUNGER, Oil Pressure Relief Valve
9	J319 6843	1				EP0			GEAR, Oil Pump Driven
10	J941 6852	4				EP0			SCREW, Hex Flange Head, .25-20x. 50
11	5302 0564	1				EP0			TUBE, Oil Pump Inlet
12									BOLT, .312-18x.625, (NOT SERVICED) (Not Serviced)
13	0154 593	1				EP0, ER0			SCREW, Hex Head Coned, .312- 18x2.625
14	6022 235	1				EP0, ER0			BOLT AND WASHER, Hex Head, .312-18x1.00
15	6034 732	13				EP0			SCREW AND WASHER, Hex Head, .25-20x.545
-16	6034 483	3				EP0			SCREW, Hex Head Coned, .312- 18x.875
17	6034 734	6				EP0			BOLT, Double Stud Hex, .250-20x1. 437 & .250-20 x.700
-18	6034 733	1				EP0			STUD, .312-18/.250-20x1.680
19	J317 2332	1				EP0, ER0			GASKET, Oil Pump
20	5281 090	1				EP0, ER0			FILTER, Engine Oil
21	5300 7563	1				EP0, ER0			CONNECTOR, Oil Filter
22	J027 1448	1				EP0			PIN, Roll, 5/32" x 1.00"
23	5302 0560	1				EP0			PAN, Engine Oil
24	53010 444AB	1				EP0			INDICATOR, Engine Oil Level
25	6035 664	1				EP0, ER0			STUD, .312-18x1.560
26	5301 0343	1				EP0			TUBE, Oil Filler
27	6035 417	1				EP0			PLUG, Oil Drain

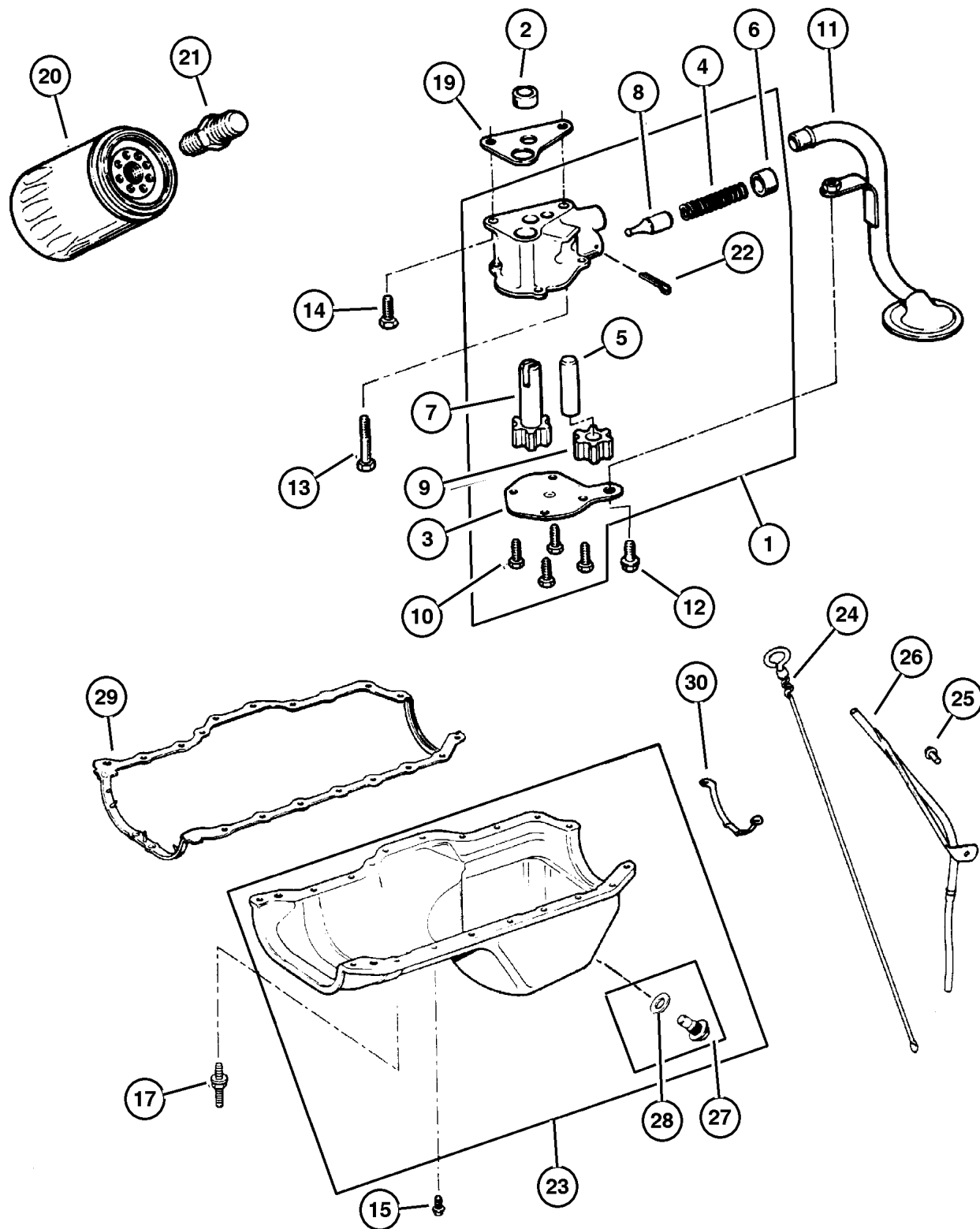
**JEEP WRANGLER (TJ)**

SERIES	LINE	BODY	ENGINE	TRANSMISSION
H = Sport	J = Wrangler 4WD	77 = 93.4 WB	EPE, EP0 = 2.5L Power Tech	DGG, DGD = 32RH 3 Spd. Auto.
L = SE	U = Wrangler 4WD (RHD)		ERH, ER0 = 4.0L Power Tech	DDQ = 5 Spd. Manual
P = Sahara				DDD = 5 Speed HD Manual
				DG0 = Auto. Trans.
				DBB = Manual Trans.

AR = Use as required - = Non illustrated part # = New this model year

September 16, 2005

Engine Oiling, 2.5 (EPE)  
Figure 2.5L4-710



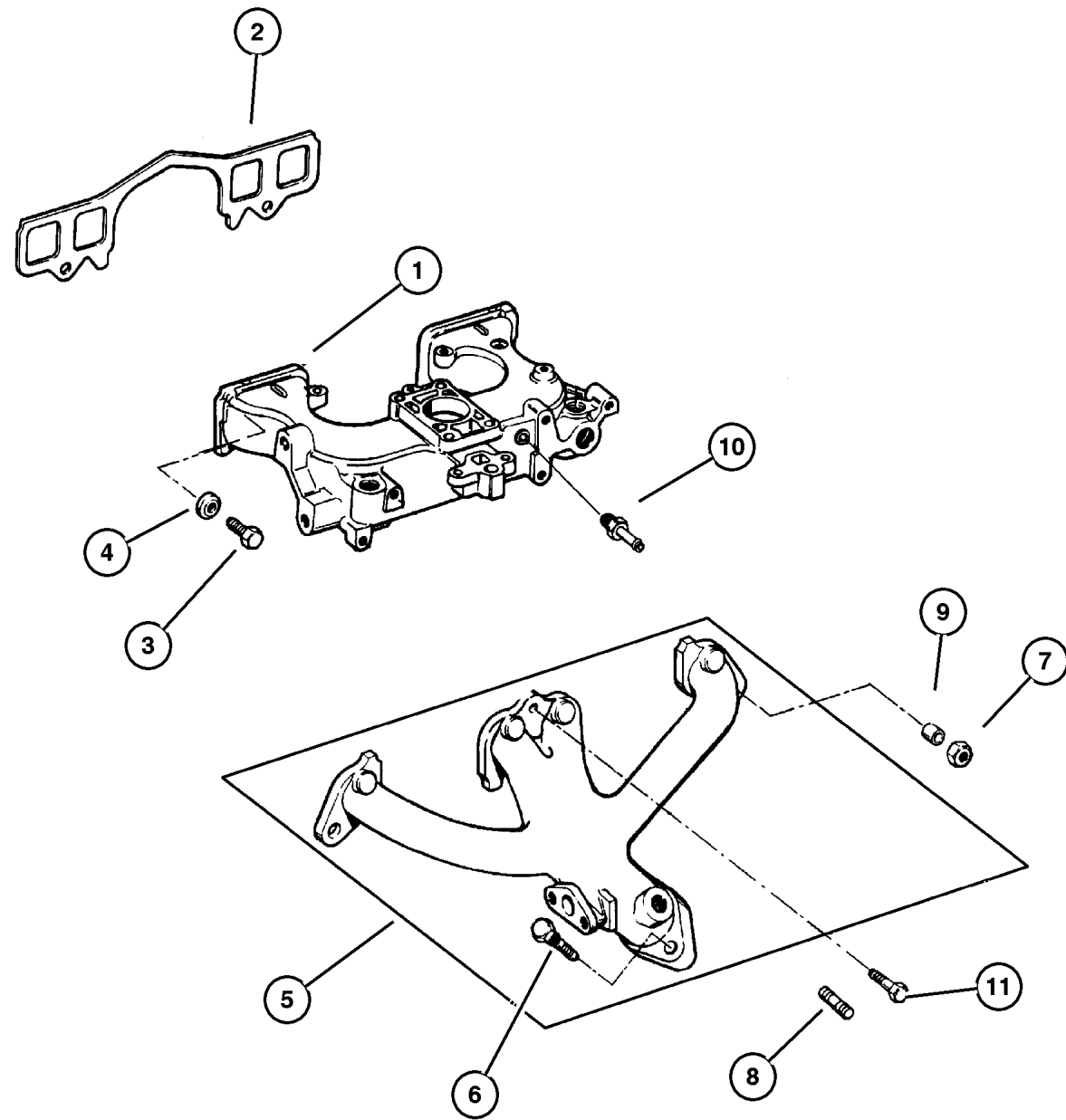
ITEM	PART NUMBER	QTY	LINE	SERIES	BODY	ENGINE	TRANS	TRIM	DESCRIPTION
28									GASKET, Oil Drain Plug, Serviced in Plug, (NOT SERVICED) (Not Serviced)
29	5300 7567	1				EPO			GASKET, Oil Pan
30	53010 511AA	1				EPO			SUPPORT, Engine Oil Pan

JEEP WRANGLER (TJ)				TRANSMISSION
SERIES	LINE	BODY	ENGINE	DGG, DGD = 32RH 3 Spd. Auto.
H = Sport	J = Wrangler 4WD	77 = 93.4 WB	EPE, EP0 = 2.5L Power Tech	DDQ = 5 Spd. Manual
L = SE	U = Wrangler 4WD (RHD)		ERH, ER0 = 4.0L Power Tech	DDD = 5 Speed HD Manual
P = Sahara				DG0 = Auto. Trans.
				DBB = Manual Trans.

AR = Use as required - = Non illustrated part # = New this model year

September 16, 2005

**Manifold, Intake and Exhaust, 2.5 (EPE)  
Figure 2.5L4-810**

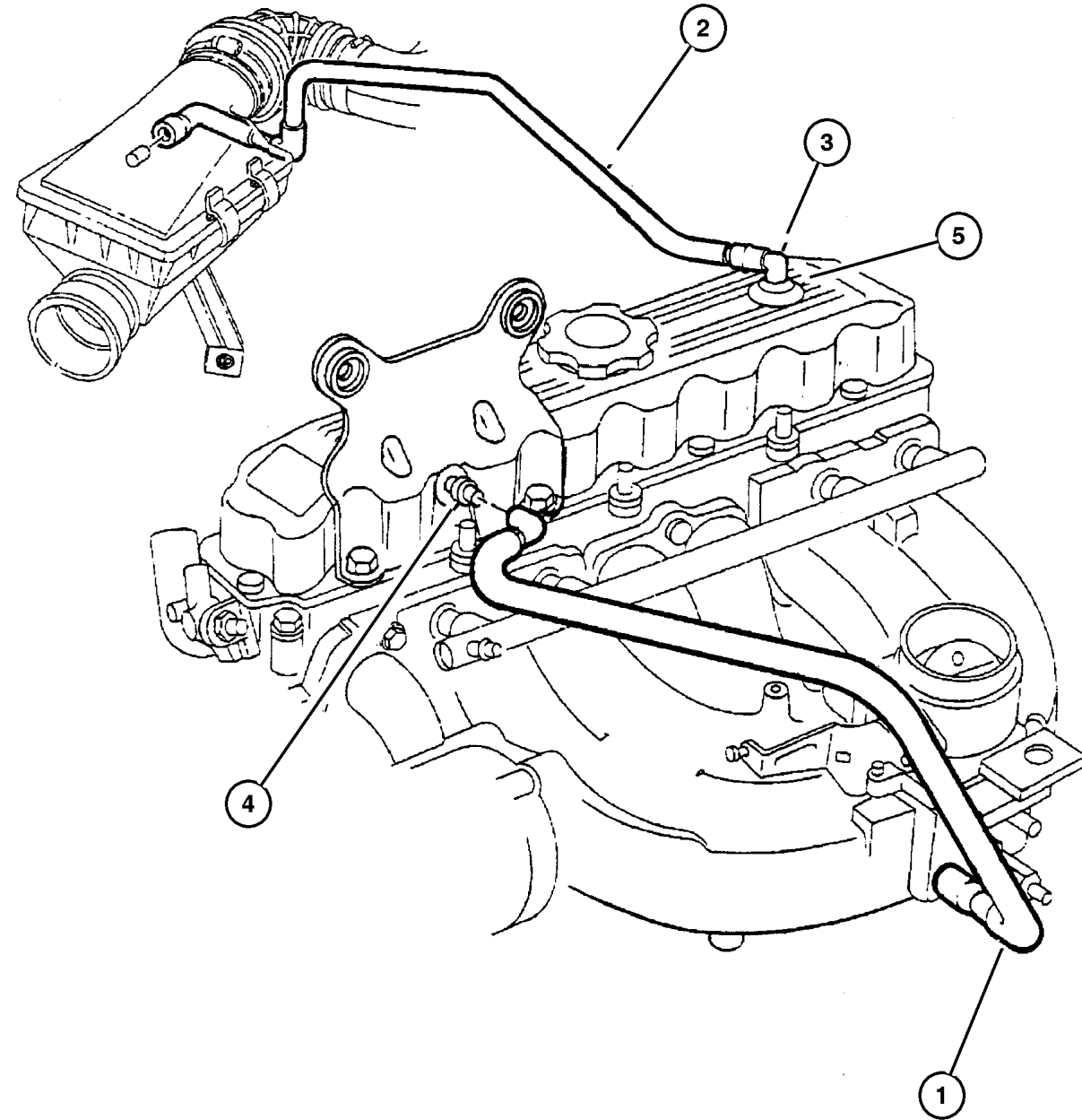


ITEM	PART NUMBER	QTY	LINE	SERIES	BODY	ENGINE	TRANS	TRIM	DESCRIPTION
NOTE: EP0=All 2.5L Gas Engines, ERO= All 4.0L Gas Engines									
1	5301 0245	1				EP0			MANIFOLD, Intake
2	5302 0112	1				EP0			GASKET, Intake Manifold
3	6036 045AA	4				EP0			BOLT AND RETAINER, Hex Head
4	6036 171AA	2				EP0, ER0			NUT AND WASHER
5	5300 8860	1				EP0			MANIFOLD, Exhaust
6	J400 7109	2				EP0			STUD, .375-16x1.69
7	6036 171AA	2				EP0, ER0			NUT AND WASHER
8	6036 193AA	2				EP0, ER0			STUD, .375-16/.375-24x1.75
9	3300 3332	2				EP0			SPACER, Exhaust Manifold
10	4854 194	1				EP0			FITTING, Vacuum
11	6036 045AA	1				EP0, ER0			BOLT AND RETAINER, Hex Head

**JEEP WRANGLER (TJ)**

SERIES	LINE	BODY	ENGINE	TRANSMISSION
H = Sport	J = Wrangler 4WD	77 = 93.4 WB	EPE, EP0 = 2.5L Power Tech	DGG, DGD = 32RH 3 Spd. Auto.
L = SE	U = Wrangler 4WD (RHD)		ERH, ER0 = 4.0L Power Tech	DDQ = 5 Spd. Manual
P = Sahara				DDD = 5 Speed HD Manual
				DG0 = Auto. Trans.
				DBB = Manual Trans.

**Crankcase Ventilation, 2.5 (EPE)  
Figure 2.5L4-910**



ITEM	PART NUMBER	QTY	LINE	SERIES	BODY	ENGINE	TRANS	TRIM	DESCRIPTION
------	-------------	-----	------	--------	------	--------	-------	------	-------------

NOTE: EP0=All 2.5L Gas Engines

1	4854 072	1				EP0			TUBE, Vent
2	5303 0614	1				EP0			TUBE, Crankcase Vent Valve
3	5303 0497	1				EP0, ER0			FITTING, Crankcase Vent Tube
4	3300 4175	1				EP0			CONNECTOR, Vacuum Hose
5	2946 079	1				EP0			GROMMET, Crankcase Vent

**JEEP WRANGLER (TJ)**

SERIES	LINE	BODY	ENGINE	TRANSMISSION
H = Sport	J = Wrangler 4WD	77 = 93.4 WB	EPE, EP0 = 2.5L Power Tech	DGG, DGD = 32RH 3 Spd. Auto.
L = SE	U = Wrangler 4WD (RHD)		ERH, ER0 = 4.0L Power Tech	DDQ = 5 Spd. Manual
P = Sahara				DDD = 5 Speed HD Manual
				DG0 = Auto. Trans.
				DBB = Manual Trans.

AR = Use as required - = Non illustrated part # = New this model year

September 16, 2005

# Group – 4.0L

## Engine 4.0L Six Cylinder

### GROUP 4.0L - Engine 4.0L Six Cylinder

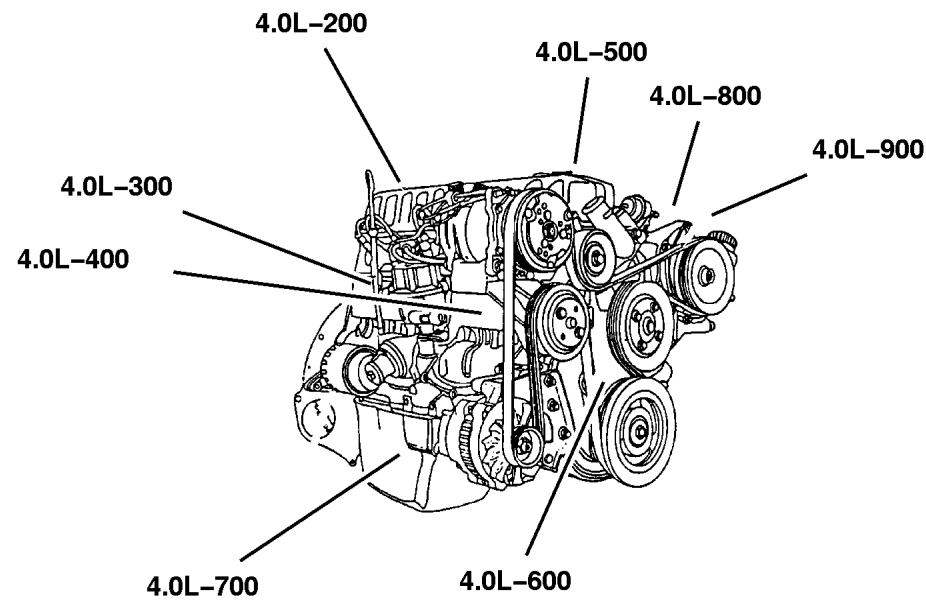


Illustration Title

Group-Fig. No.

#### Cylinder Head

Cylinder Head, 4.0 (ERH) ..... Fig. 4.0L-210

#### Cylinder Block

Cylinder Block, 4.0 (ERH) ..... Fig. 4.0L-310

#### Crankshaft, Piston and Torque Converter

Crankshaft, Piston and Torque Converter, 4.0 (ERH) ..... Fig. 4.0L-410

#### Camshafts & Valves

Camshaft and Valves, 4.0 (ERH) ..... Fig. 4.0L-510

#### Timing Belt and Cover

Timing Cover, 4.0 (ERH) ..... Fig. 4.0L-610

#### Engine Oiling

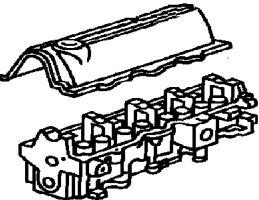
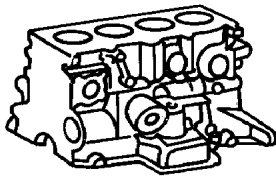
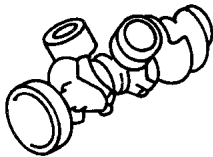
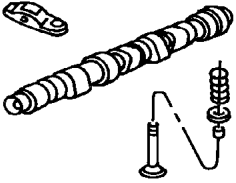
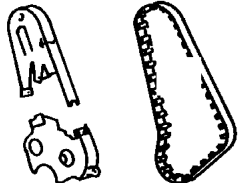
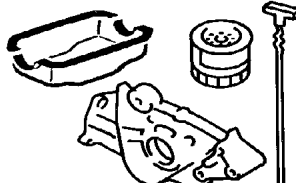
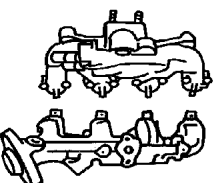
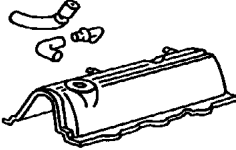
Engine Oiling, 4.0 (ERH) ..... Fig. 4.0L-710

#### Manifolds

Manifold, Intake and Exhaust, 4.0 (ERH) ..... Fig. 4.0L-810

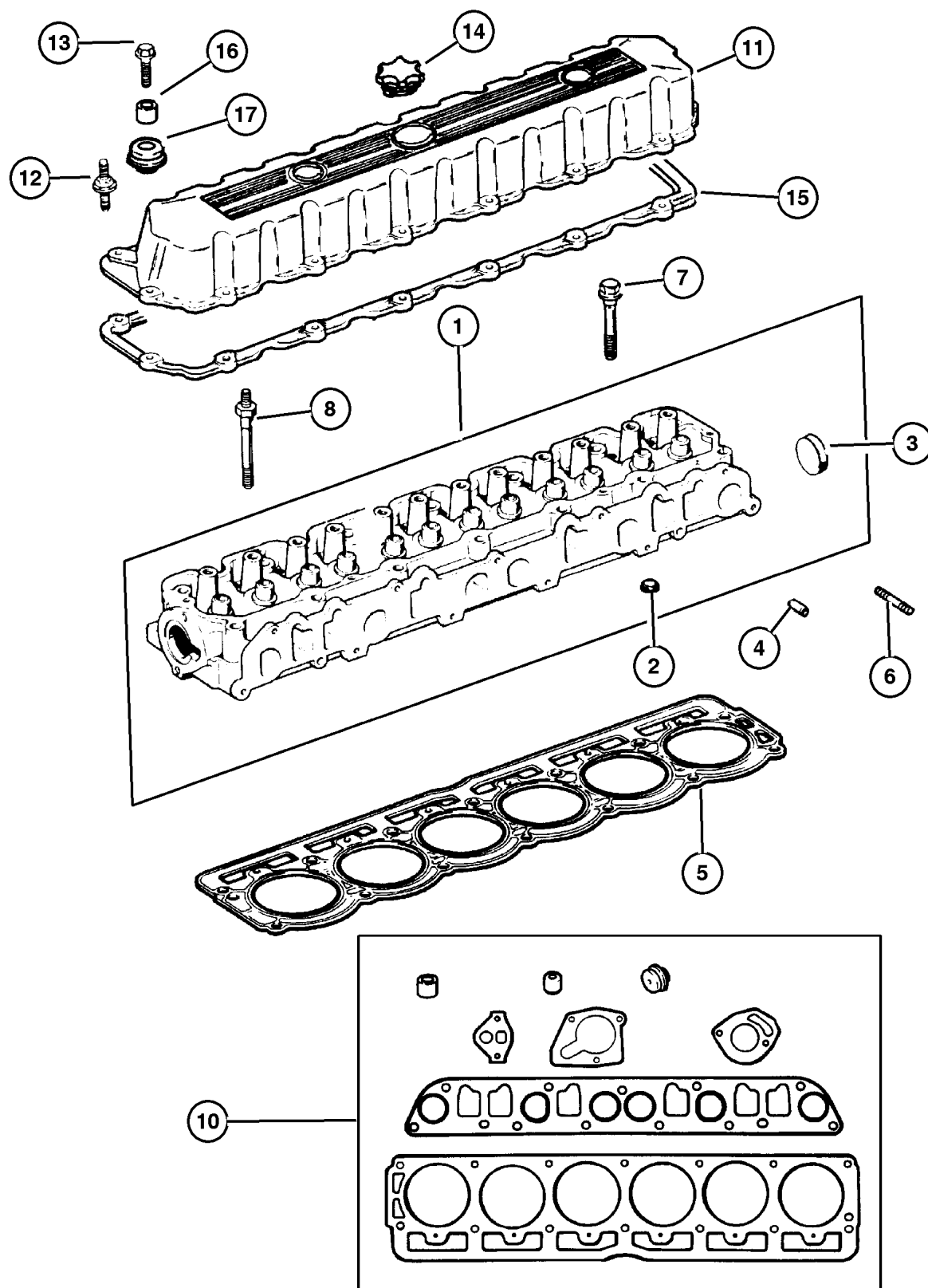
#### Crankcase Ventilation

Crankcase Ventilation, 4.0 (ERH) ..... Fig. 4.0L-910

<p><b>4.0L-200</b> Cylinder Head</p> 	<p><b>4.0L-300</b> Cylinder Block</p> 	<p><b>4.0L-400</b> Crankshaft, Piston and Torque Converter</p> 	<p><b>4.0L-500</b> Camshafts &amp; Valves</p> 
<p><b>4.0L-600</b> Timing Belt and Cover</p> 	<p><b>4.0L-700</b> Engine Oiling</p> 	<p><b>4.0L-800</b> Manifolds</p> 	<p><b>4.0L-900</b> Crankcase Ventilation</p> 



**Cylinder Head, 4.0 (ERH)  
Figure 4.0L-210**



ITEM	PART NUMBER	QTY	LINE	SERIES	BODY	ENGINE	TRANS	TRIM	DESCRIPTION
NOTE: ER0=All 4.0L Engines DBB=All Manual Transmissions DG0=All Automatic Transmissions									
1	5301 0334	1				ER0			HEAD, Cylinder
2	J400 7434	4				ER0			PLUG, Cylinder Block Oil Hole
3	J310 5394	1				ER0			PLUG, Cylinder Block Oil Hole
4	J317 2318	2				EP0,			DOWEL, Cylinder Head To Intake
5	53020 754AB	1				ER0			GASKET, Cylinder Head
6	6036 193AA	2				EP0,			STUD, .375-16/.375-24x1.75
7						ER0			BOLT, Cylinder Head
	6035 514	5				ER0			
	6035 515	2				ER0			
8	6035 516	6				ER0			STUD, Double Ended, .50-13/.437-14x6.00
-9	6036 162AA-	1				ER0			STUD, Double Ended, [.50-13/.437-14x6.0]
10	5012 365AA	1				ER0			GASKET PACKAGE, Engine Upper
11	5302 0323	1				ER0			COVER, Cylinder Head
12	6035 968AA	7				ER0			STUD, .250-20x2.00
13	6035 566	8				ER0			BOLT, Hex Flange Head, .250-20x1.00
14	4777 536	1				ER0			CAP, Oil Filler
15	53020 758AC	1				ER0			GASKET, Valve Cover
16	53020 598AB	15				ER0			SLEEVE, Torque Limiter
17	53010 424AB	15				ER0			GROMMET, Insulator

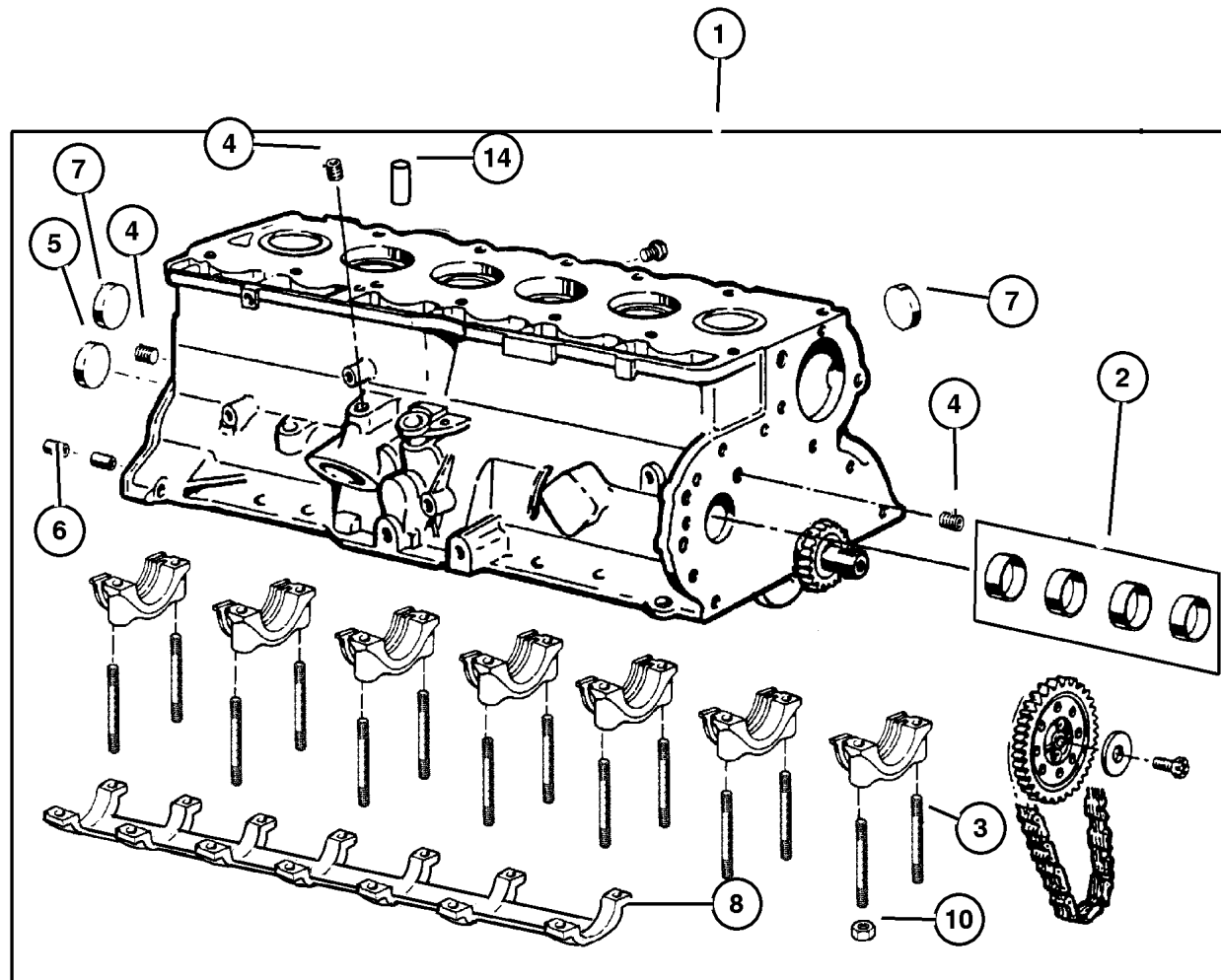
**JEEP WRANGLER (TJ)**

SERIES	LINE	BODY	ENGINE	TRANSMISSION
H = Sport	J = Wrangler 4WD	77 = 93.4 WB	EPE, EP0 = 2.5L Power Tech	DGG, DGD = 32RH 3 Spd. Auto.
L = SE	U = Wrangler 4WD (RHD)		ERH, ER0 = 4.0L Power Tech	DDQ = 5 Spd. Manual
P = Sahara				DDD = 5 Speed HD Manual
				DG0 = Auto. Trans.
				DBB = Manual Trans.

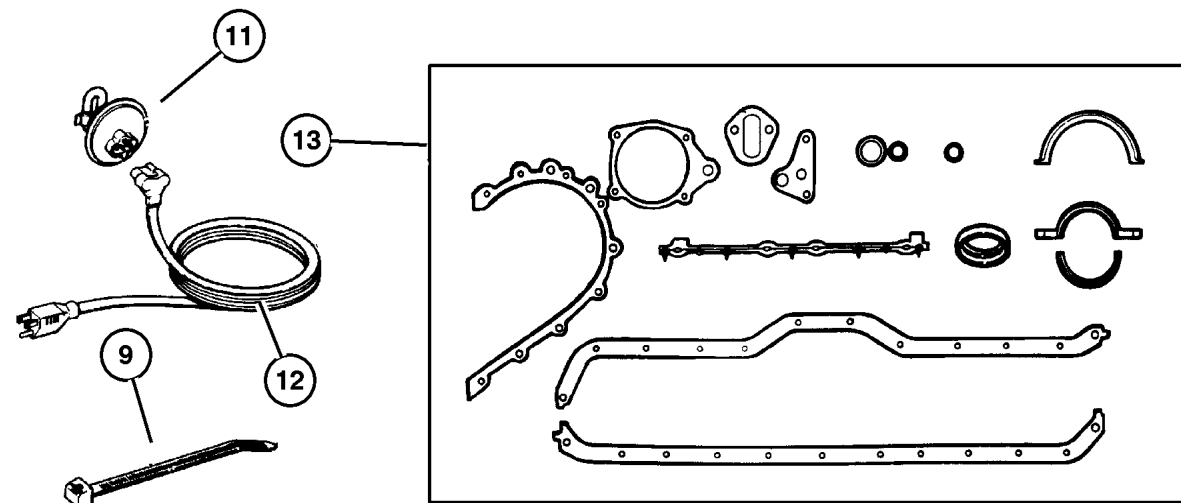
AR = Use as required - = Non illustrated part # = New this model year

September 16, 2005

**Cylinder Block, 4.0 (ERH)  
Figure 4.0L-310**



ITEM	PART NUMBER	QTY	LINE	SERIES	BODY	ENGINE	TRANS	TRIM	DESCRIPTION
NOTE: ER0=All 4.0L Engines DBB=All Manual Transmissions DG0=All Automatic Transmissions									
1	5013 161AC	1				ER0			BLOCK, Short, Contains: Crank, Rods, Pistons, Rings, Cam Bearings, Timing Chain, Sprockets
2	4636 985AB	1				ER0			BEARING PACKAGE, Camshaft, Standard Size
3	6035 207	14				ER0			STUD, .500-13/.375-16x3.97
4	6034 166	3				ER0			PLUG, Cylinder Block Oil Hole
	J420 0413	2				EP0, ER0			
5	J317 2313	1				EP0			PLUG, Camshaft
6	J400 5148	2				ER0			DOWEL, Transmission
7	J310 5394	6				ER0			PLUG, Cylinder Block Oil Hole
8	5302 0566	1				ER0			BRACE, Main Bearing Cap
9	4641 780	3				EP0, ER0			STRAP, Tie
10	0152 474	14				ER0			NUT, Hex Flange Lock, .375-16
11	8220 1506	1				ER0			HEATER PACKAGE, Engine Block
12	5601 6834	1				EP0, ER0			CORD, Engine Block Heater
13	5017 432AA	1				ER0			GASKET PACKAGE, Engine Lower
14	0141 215	2				ER0			DOWEL, .312 x .500
-15	5302 0465	1				ER0			PLUG, Cylinder Block, Rubber Style Plug



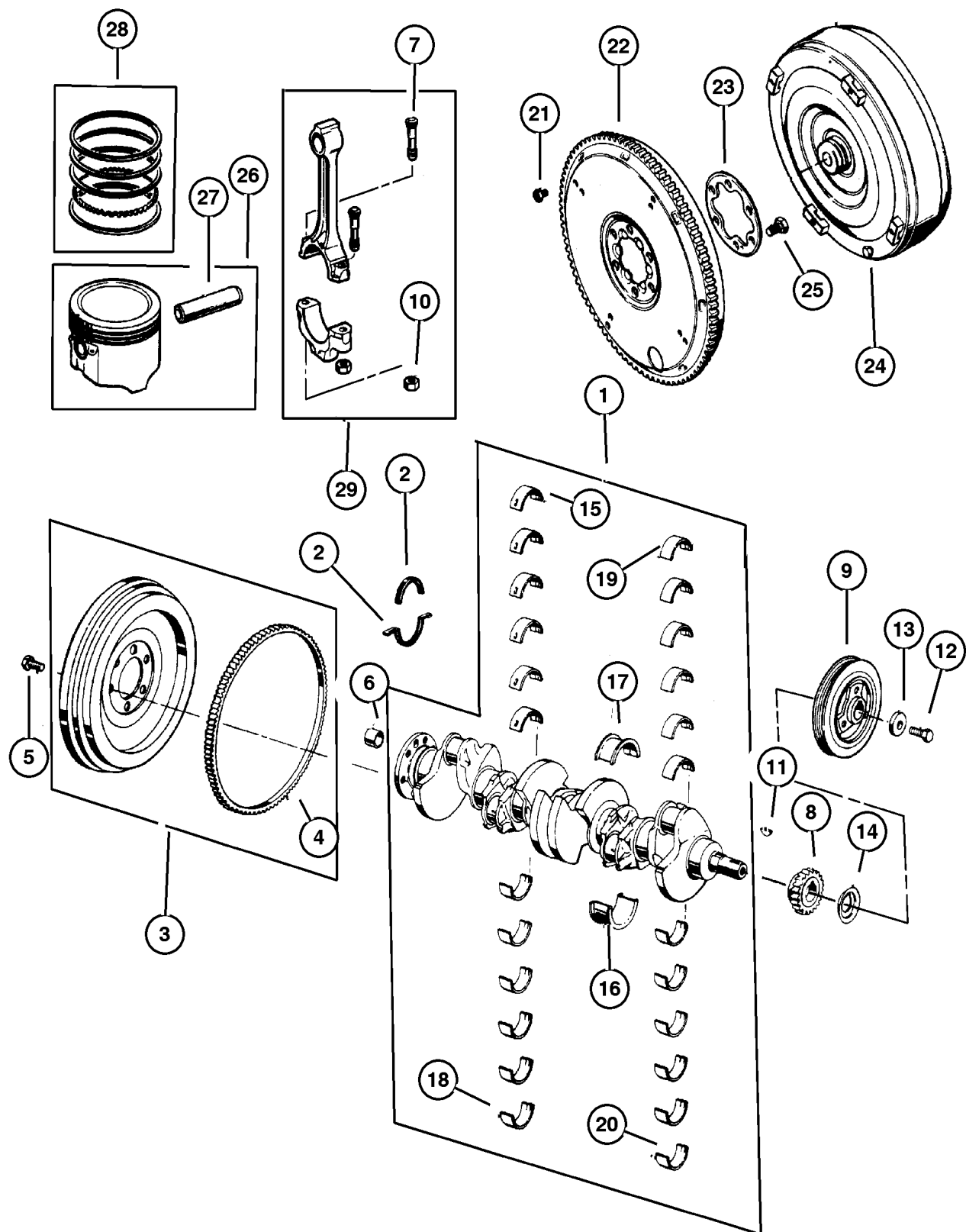
**JEEP WRANGLER (TJ)**

SERIES	LINE	BODY	ENGINE	TRANSMISSION
H = Sport	J = Wrangler 4WD	77 = 93.4 WB	EPE, EP0 = 2.5L Power Tech	DGG, DGD = 32RH 3 Spd. Auto.
L = SE	U = Wrangler 4WD (RHD)		ERH, ER0 = 4.0L Power Tech	DDQ = 5 Spd. Manual
P = Sahara				DDD = 5 Speed HD Manual
				DG0 = Auto. Trans.
				DBB = Manual Trans.

AR = Use as required - = Non illustrated part # = New this model year

September 16, 2005

**Crankshaft, Piston and Torque Converter, 4.0 (ERH)**  
**Figure 4.0L-410**



ITEM	PART NUMBER	QTY	LINE	SERIES	BODY	ENGINE	TRANS	TRIM	DESCRIPTION
NOTE: ER0=All 4.0L Engines DBB=All Manual Transmissions DG0=All Automatic Transmissions									
1	4864 726AB	1				ER0			CRANKSHAFT
2	5018 594AA	1				ER0			SEAL PACKAGE, Crankshaft
3	53020 519AB	1				ER0	DBB		FLYWHEEL
4	J317 9741	1				ER0	DBB		GEAR, Ring
5	J317 0524	6				ER0	DBB		BOLT, Flywheel
6	53009 180AB	1				ER0	DBB		BEARING, Pilot, Sleeve and Bearing
7	5302 0123	12				ER0			BOLT, Connecting Rod
8	5302 0443	1				ER0			GEAR, Crankshaft
9	33002 920AB	1				ER0			DAMPER, Crankshaft
10	J400 6385	12				ER0			NUT, Hex Flange, .3437-24
11	6034 749	1				EP0, ER0			KEY, Crankshaft Sprocket
12	0182 776	1				EP0, ER0			BOLT
13	J323 0155	1				EP0, ER0			WASHER, Plain
14									SLINGER, Oil, (NOT REQUIRED)
15	8350 7079	6				ER0			BEARING PACKAGE, Crankshaft, Standard
16	8350 7080	AR				EP0, ER0			BEARING PACKAGE, Crankshaft, .001 Undersize
17	8350 7084	1				EP0, ER0			BEARING PACKAGE, Crankshaft Thrust, Standard Size
18	8350 7086	AR				EP0, ER0			BEARING PACKAGE, Crankshaft Thrust, .001" Undersize
19	83500 300AB	6				ER0			BEARING KIT, Connecting Rod, Standard
20	83501 397AB	AR				EP0, ER0			BEARING KIT, Connecting Rod, .001 Undersize
21	1949 765	4	J			ER0	DG0		SCREW, Hex Head Header Point, .312-24x.44
22	5211 8257	1				ER0	DG0		PLATE, Drive Plate
23	J321 4094	1				ER0	DG0		PLATE, Drive Plate Backing
24	4736 596	1				ER0	DG0		TORQUE CONVERTER
25	J315 1407	6				ER0	DG0		BOLT, Hex Head, .50-20x.56
26									PISTON PIN AND ROD
	4798 329AC	6				ER0			B Size, 3.8742
	4798 330AC	6				ER0			C Size, 3.8746
	4798 331AC	6				ER0			D Size, 3.8750
	4798 332AC	6				ER0			E Size, 3.8754
	4798 333AC	6				ER0			F Size, 3.8758

**JEEP WRANGLER (TJ)**

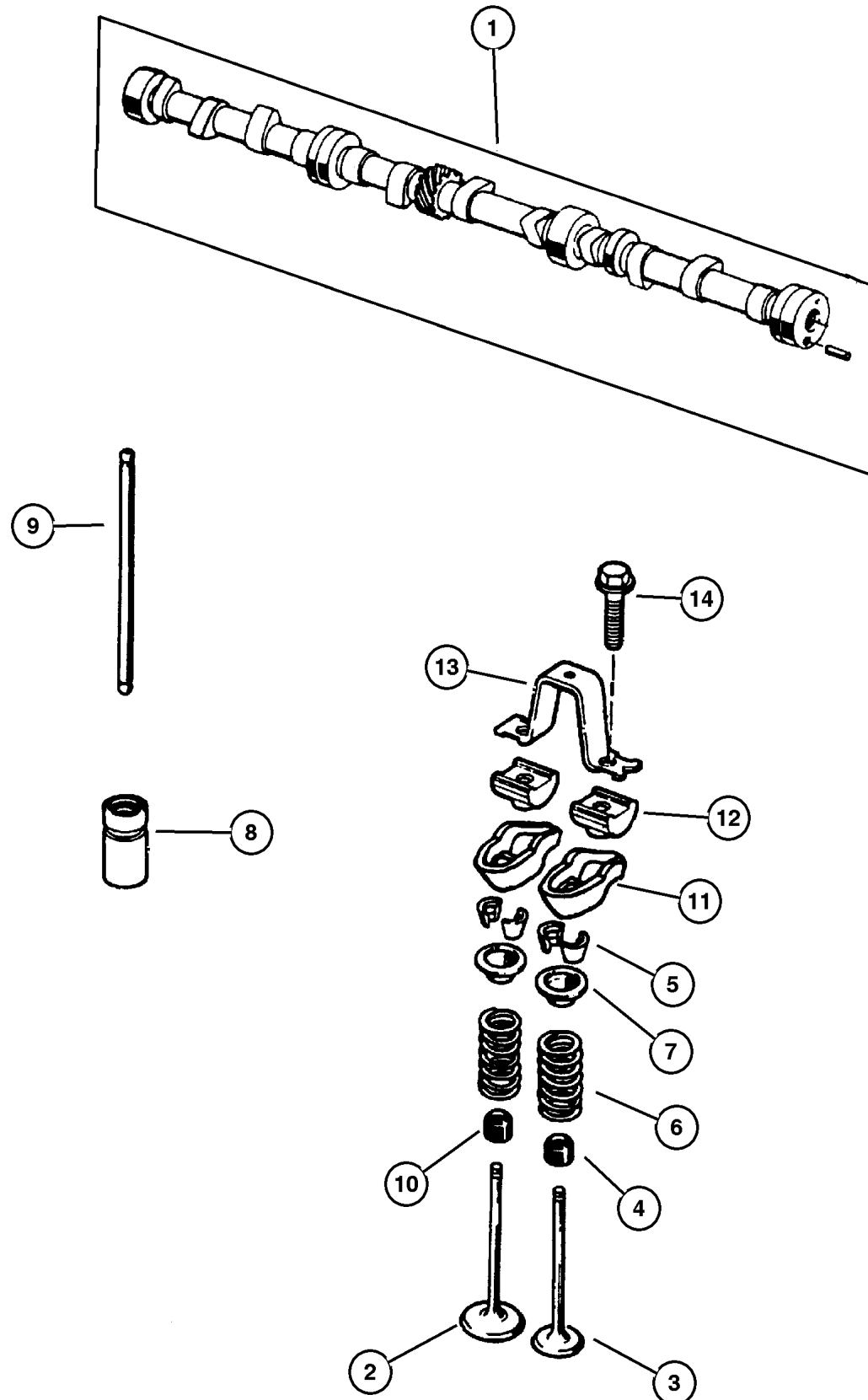
SERIES	LINE	BODY	ENGINE	TRANSMISSION
H = Sport	J = Wrangler 4WD	77 = 93.4 WB	EPE, EP0 = 2.5L Power Tech	DGG, DGD = 32RH 3 Spd. Auto.
L = SE	U = Wrangler 4WD (RHD)		ERH, ER0 = 4.0L Power Tech	DDQ = 5 Spd. Manual
P = Sahara				DDD = 5 Speed HD Manual
				DG0 = Auto. Trans.
				DBB = Manual Trans.

AR = Use as required - = Non illustrated part # = New this model year

September 16, 2005



Camshaft and Valves, 4.0 (ERH)  
Figure 4.0L-510



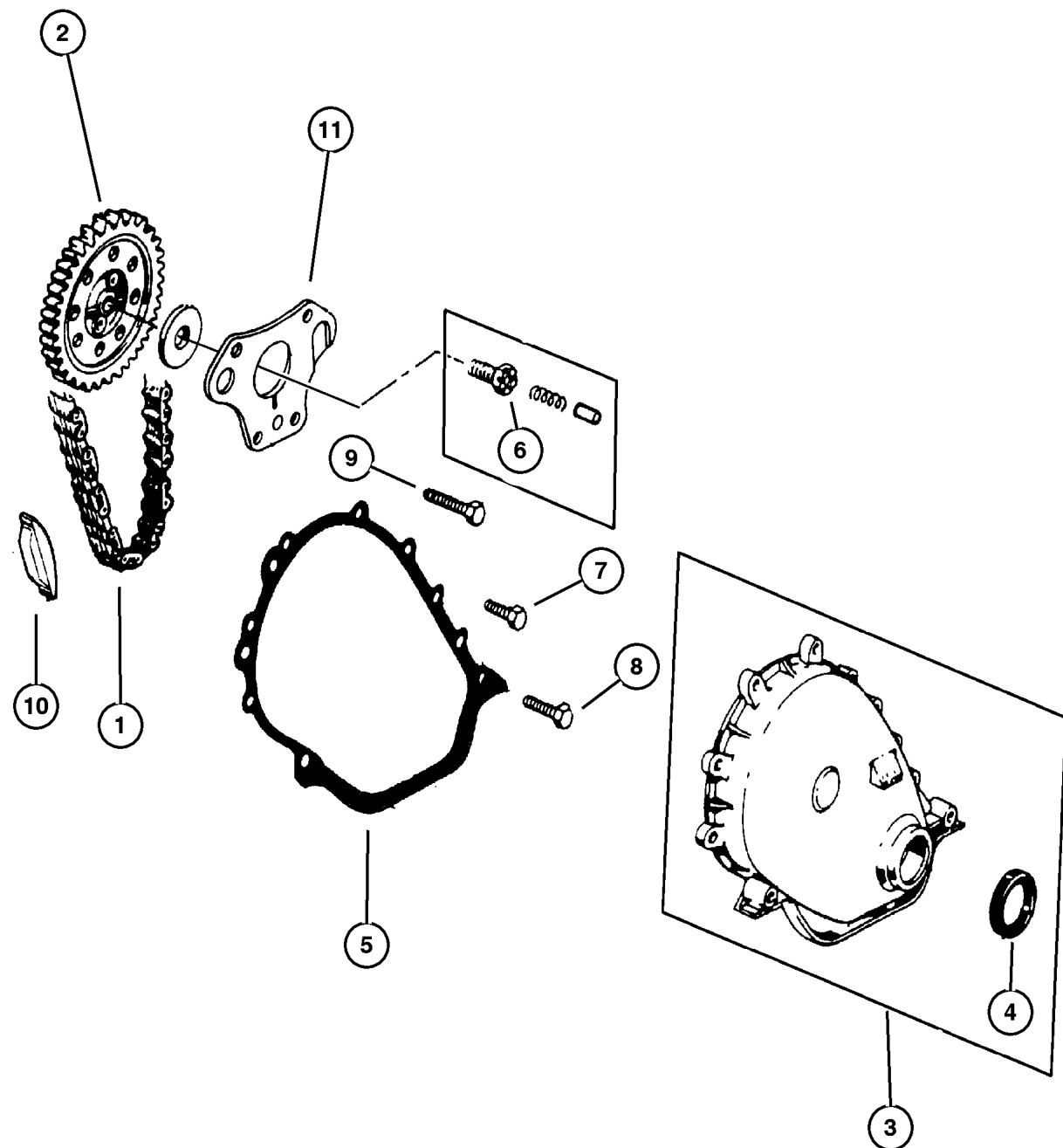
ITEM	PART NUMBER	QTY	LINE	SERIES	BODY	ENGINE	TRANS	TRIM	DESCRIPTION
NOTE: ER0=All 4.0L Engines									
1	53010 448AA	1				ER0			CAMSHAFT
2	53010 512AA	6				ER0			VALVE, Intake, Standard
3	53010 513AA	6				ER0			VALVE, Exhaust, Standard
4	5300 9887	6				ER0			SEAL, Valve Guide, Exhaust
5	53010 515AA	24				ER0			LOCK, Valve Spring Retainer
6	5301 0388	12				ER0			SPRING, Valve
7	53010 514AA	12				ER0			RETAINER, Valve Spring
8	4740 269	12				ER0			TAPPET, Valve
9	3300 2986	12				ER0			PUSH ROD, Valve
10	5300 9886	6				ER0			SEAL, Valve Guide, Intake
11	J324 2393	12				ER0			ROCKER ARM, Valve
12	J323 5090	12				ER0			PIVOT, Rocker Arm
13	J323 6513	6				ER0			BRIDGE, Rocker Arm
14	J942 5708	12				ER0			BOLT, Hex Flange Head, .312-18x1.25

JEEP WRANGLER (TJ)				
SERIES	LINE	BODY	ENGINE	TRANSMISSION
H = Sport	J = Wrangler 4WD	77 = 93.4 WB	EPE, EP0 = 2.5L Power Tech	DGG, DGD = 32RH 3 Spd. Auto.
L = SE	U = Wrangler 4WD (RHD)		ERH, ER0 = 4.0L Power Tech	DDQ = 5 Spd. Manual
P = Sahara				DDD = 5 Speed HD Manual
				DG0 = Auto. Trans.
				DBB = Manual Trans.

AR = Use as required - = Non illustrated part # = New this model year

September 16, 2005

Timing Cover, 4.0 (ERH)  
Figure 4.0L-610



ITEM	PART NUMBER	QTY	LINE	SERIES	BODY	ENGINE	TRANS	TRIM	DESCRIPTION
Note; EP0= All 2.5L 4 Cylinder Gas Engines									
ER0= All 4.0L 6 Cylinder Gas Engines									
1	5302 0444	1				ER0			CHAIN, Timing
2	53010 557AA	1				ER0			SPROCKET, Camshaft
3	5301 0421	1				ER0			COVER, Timing Belt
4	3300 4681	1				ER0			SEAL, Front Main Crankshaft
5	5302 0487	1				ER0			GASKET, Front Cover
6	6024 030	1				ER0			SCREW AND WASHER, Hex
7	6035 893	5				EP0,			BOLT, Hex
8	6035 895	2				ER0			SCREW
9	6035 894	2				EP0,			SCREW
10	3300 3446	1				EP0,			SNUBBER, Timing Chain
11	5301 0401	1				ER0			PLATE, Camshaft Thrust
-12	6035 975AA-	2				ER0			SCREW, Pan Head

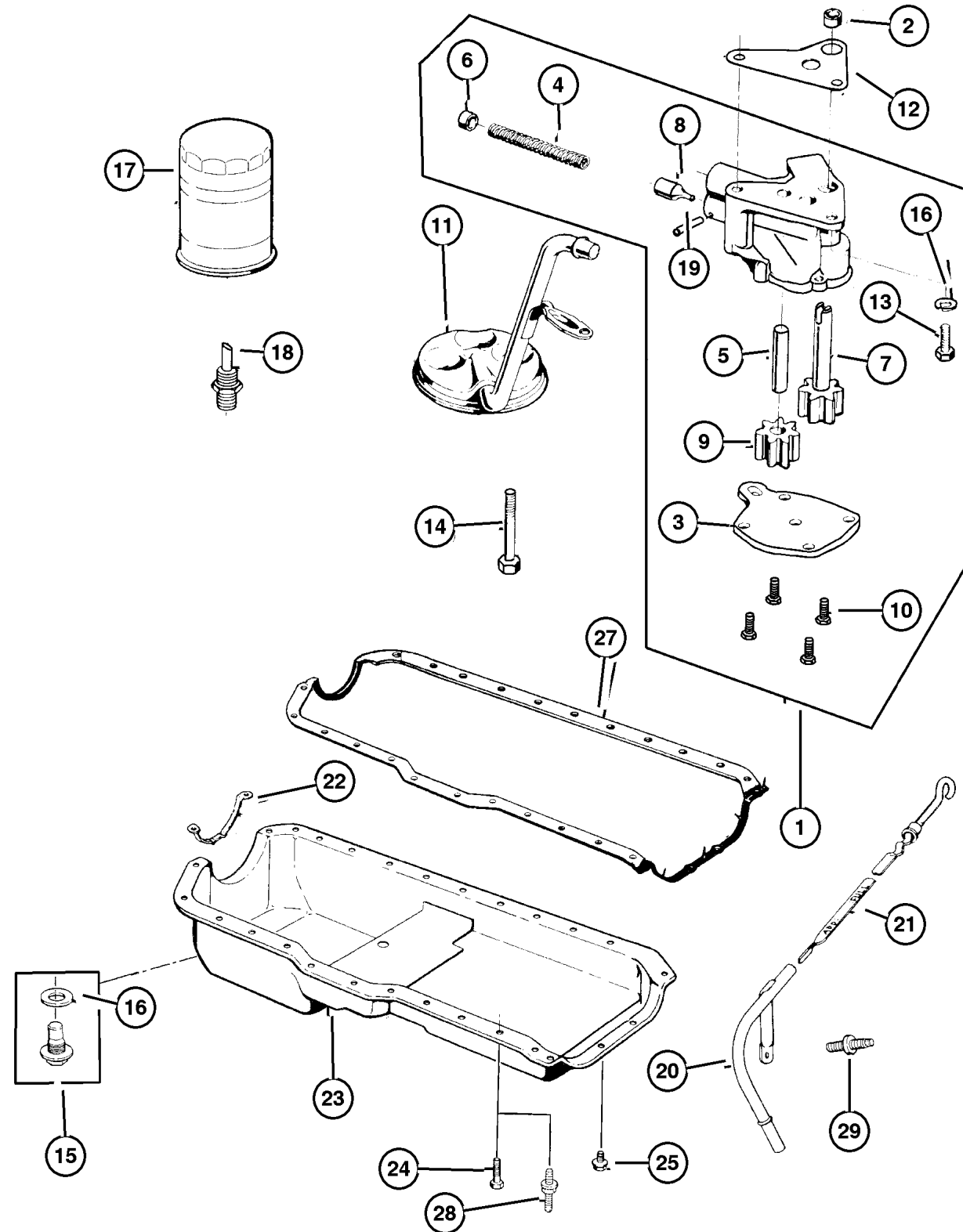
JEEP WRANGLER (TJ)

SERIES	LINE	BODY	ENGINE	TRANSMISSION
H = Sport	J = Wrangler 4WD	77 = 93.4 WB	EPE, EP0 = 2.5L Power Tech	DGG, DGD = 32RH 3 Spd. Auto.
L = SE	U = Wrangler 4WD (RHD)		ERH, ER0 = 4.0L Power Tech	DDQ = 5 Spd. Manual
P = Sahara				DDD = 5 Speed HD Manual
				DG0 = Auto. Trans.
				DBB = Manual Trans.

AR = Use as required - = Non illustrated part # = New this model year

September 16, 2005

**Engine Oiling, 4.0 (ERH)  
Figure 4.0L-710**



Note; EP0= 2.5L 4 Cylinder Gas Engines

ER0= 4.0L 6 Cylinder Gas Engines

ITEM	PART NUMBER	QTY	LINE	SERIES	BODY	ENGINE	TRANS	TRIM	DESCRIPTION
1	J324 1399	1				ER0			PUMP, Engine Oil
2	J400 5149	1				EP0, ER0			DOWEL, Oil Pump
3	J324 1733	1				ER0			COVER, Engine Oil Pump
4	J323 9668	1				ER0			SPRING, Oil Pressure Relief Valve
5	J317 1956	1				ER0			SHAFT, Oil Pump
6	J317 1958	1				ER0			RETAINER, Oil Release Valve
7	J317 2334	1				ER0			GEAR, Oil Pump
8	J318 8661	1				ER0			PLUNGER, Oil Pressure Relief Valve
9	J319 6843	1				ER0			GEAR, Oil Pump Driven
10	J941 6852	4				ER0			SCREW, Hex Flange Head, .25-20x. 50
11	3300 2696	1				ER0			TUBE, Oil Pump Inlet
12	J317 2332	1				EP0, ER0			GASKET, Oil Pump
13	6022 235	1				EP0, ER0			BOLT AND WASHER, Hex Head, .312-18x1.00
14	0154 593	1				EP0, ER0			SCREW, Hex Head Coned, .312- 18x2.625
15	6035 417	1				ER0			PLUG, Oil Drain
16									GASKET, Oil Drain Plug, Serviced in Plug, (NOT SERVICED) (Not Serviced)
17	5281 090	1				EP0, ER0			FILTER, Engine Oil
18	5300 7563	1				EP0, ER0			CONNECTOR, Oil Filter
19	J027 1448	1				ER0			PIN, Roll, 5/32" x 1.00"
20	5302 0782	1				ER0			TUBE, Oil Filler
21	5301 0445	1				ER0			INDICATOR, Engine Oil Level
22	53010 511AA	1				ER0			SUPPORT, Engine Oil Pan
23	5301 0340	1				ER0			PAN, Engine Oil
24	6034 732	14				ER0			SCREW AND WASHER, Hex Head, .25-20x.545
25	6034 483	3				ER0			SCREW, Hex Head Coned, .312- 18x.875
-26	6034 733	1				ER0			STUD, .312-18/.250-20x1.680
27	53007 568AC	1				ER0			GASKET, Oil Pan
28	6034 734	10				ER0			BOLT, Double Stud Hex, .250-20x1. 437 & .250-20 x.700

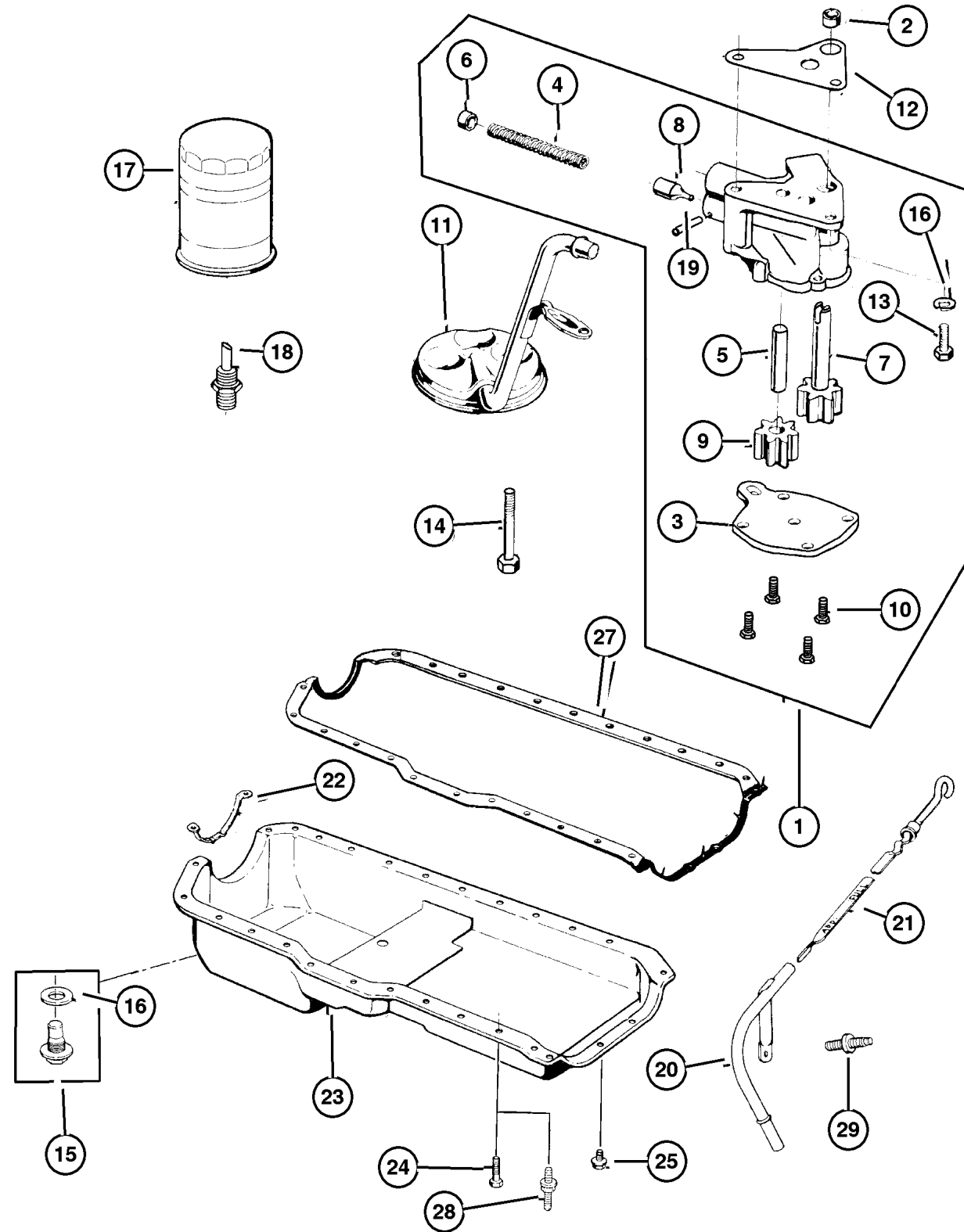
**JEEP WRANGLER (TJ)**

SERIES	LINE	BODY	ENGINE	TRANSMISSION
H = Sport	J = Wrangler 4WD	77 = 93.4 WB	EPE, EP0 = 2.5L Power Tech	DGG, DGD = 32RH 3 Spd. Auto.
L = SE	U = Wrangler 4WD (RHD)		ERH, ER0 = 4.0L Power Tech	DDQ = 5 Spd. Manual
P = Sahara				DDD = 5 Speed HD Manual
				DG0 = Auto. Trans.
				DBB = Manual Trans.

AR = Use as required - = Non illustrated part # = New this model year

September 16, 2005

Engine Oiling, 4.0 (ERH)  
Figure 4.0L-710



ITEM	PART NUMBER	QTY	LINE	SERIES	BODY	ENGINE	TRANS	TRIM	DESCRIPTION
------	-------------	-----	------	--------	------	--------	-------	------	-------------

29	6035 664	1				EP0, ER0			STUD, .312-18x1.560
-30	5083 881AA-	1				ER0			DRIVE, OIL PUMP

JEEP WRANGLER (TJ)

SERIES	LINE	BODY	ENGINE	TRANSMISSION
H = Sport	J = Wrangler 4WD	77 = 93.4 WB	EPE, EP0 = 2.5L Power Tech	DGG, DGD = 32RH 3 Spd. Auto.
L = SE	U = Wrangler 4WD (RHD)		ERH, ER0 = 4.0L Power Tech	DDQ = 5 Spd. Manual
P = Sahara				DDD = 5 Speed HD Manual
				DG0 = Auto. Trans.
				DBB = Manual Trans.

AR = Use as required - = Non illustrated part # = New this model year

September 16, 2005

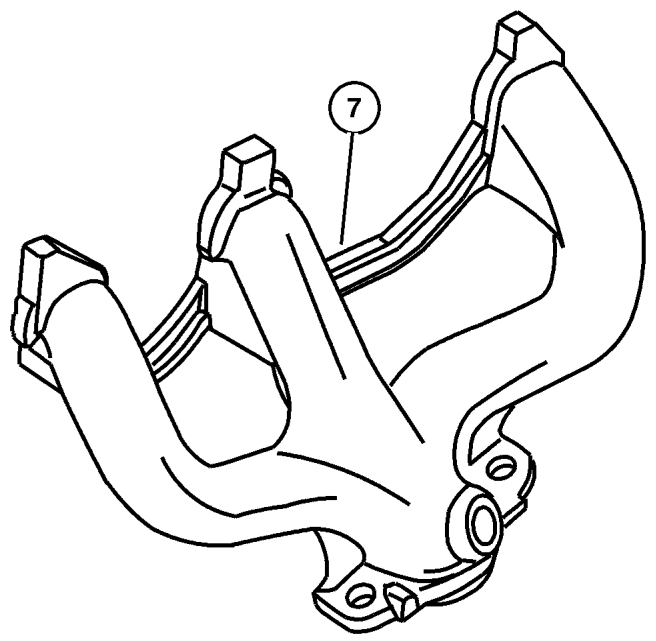
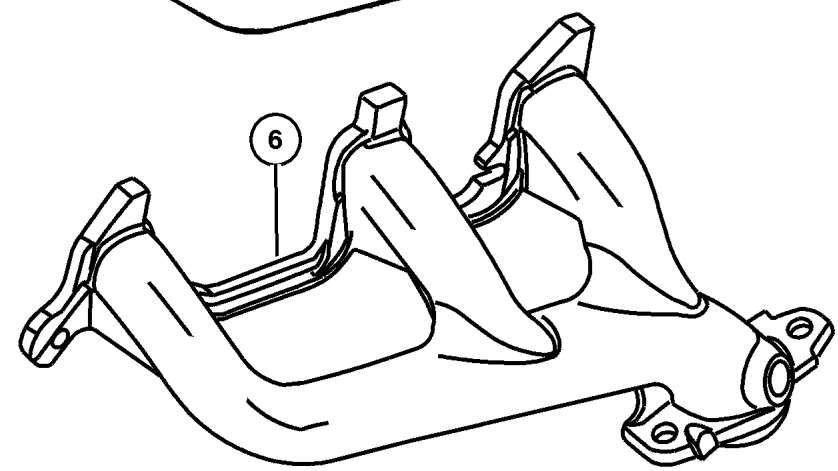
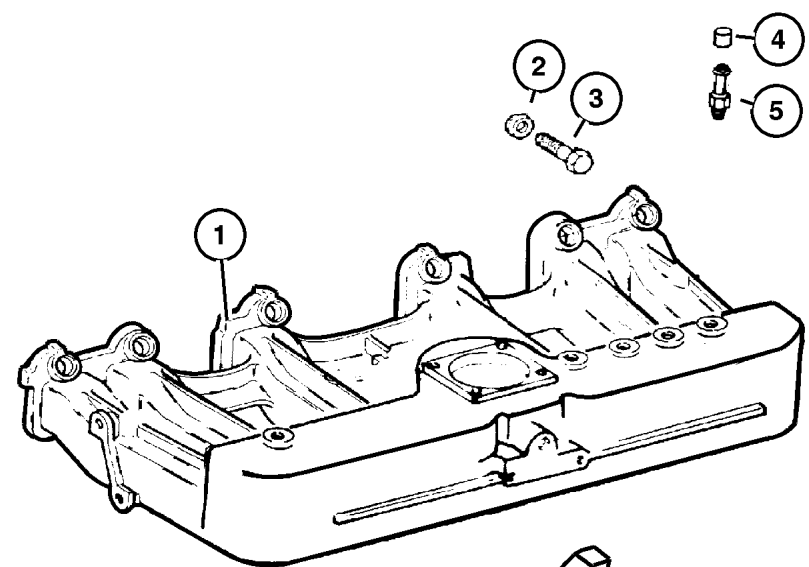


**Manifold, Intake and Exhaust, 4.0 (ERH)  
Figure 4.0L-810**

ITEM	PART NUMBER	QTY	LINE	SERIES	BODY	ENGINE	TRANS	TRIM	DESCRIPTION
------	-------------	-----	------	--------	------	--------	-------	------	-------------

Note; [EP0]= All 2.5L 4 Cylinder Gas Engines  
[ER0]= All 4.0L 6 Cylinder Gas Engines

1	4854 197AA	1				ER0			MANIFOLD, Intake
2	6036 171AA	2				EP0, ER0			NUT AND WASHER
3	6036 045AA	1				EP0, ER0			BOLT AND RETAINER, Hex Head
4	3580 172	1				ER0			CAP, Vacuum
5	4854 194	1				ER0			FITTING, Vacuum
6	5301 0196	1				ER0			MANIFOLD, Exhaust, Front
7	5301 0199	1				ER0			MANIFOLD, Exhaust, Rear
-8	4854 038	1				ER0			GASKET, Intake/Exhaust Manifold
-9	6036 193AA-	2				EP0, ER0			STUD, .375-16/.375-24x1.75
-10	6506 546AA-	2				ER0			NUT, Exhaust Manifold, Exhaust Manifold to Pipe

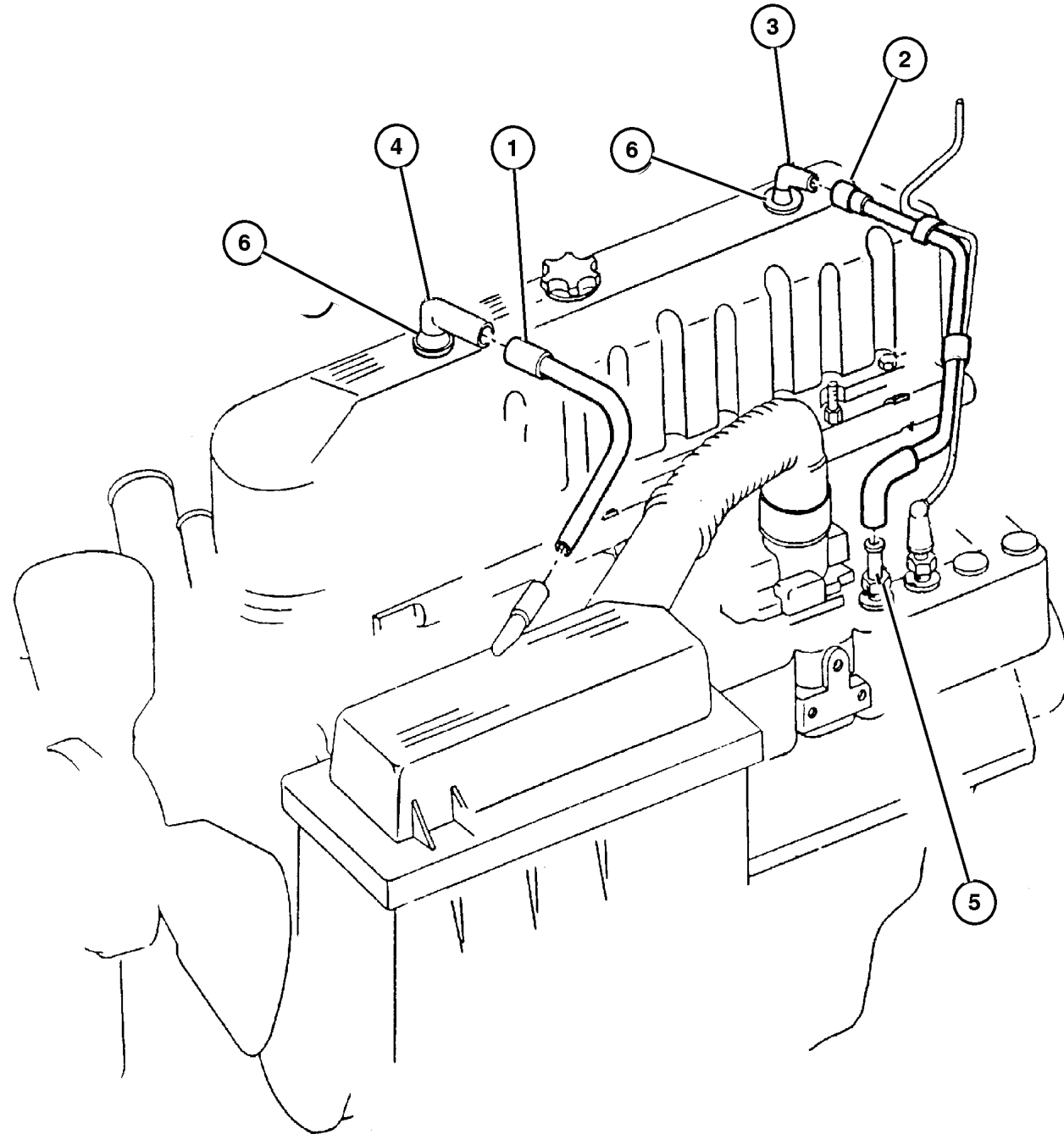


<b>JEEP WRANGLER (TJ)</b>			
SERIES	LINE	BODY	ENGINE
H = Sport	J = Wrangler 4WD	77 = 93.4 WB	EPE, EP0 = 2.5L Power Tech
L = SE	U = Wrangler 4WD (RHD)		ERH, ER0 = 4.0L Power Tech
P = Sahara			
			TRANSMISSION
			DGG, DGD = 32RH 3 Spd. Auto.
			DDQ = 5 Spd. Manual
			DDD = 5 Speed HD Manual
			DG0 = Auto. Trans.
			DBB = Manual Trans.

AR = Use as required - = Non illustrated part # = New this model year

September 16, 2005

**Crankcase Ventilation, 4.0 (ERH)  
Figure 4.0L-910**



ITEM	PART NUMBER	QTY	LINE	SERIES	BODY	ENGINE	TRANS	TRIM	DESCRIPTION
Note; EP0= All 2.5L 4 Cylinder Gas Engines									
ER0= All 4.0L 6 Cylinder Gas Engines									
1	5303 0615	1				ER0			TUBE, Crankcase Vent Valve
2	4854 265	1				ER0			TUBE, Crankcase Vent To Intake Manifold
3	5303 0495	1				ER0			TUBE, Crankcase Vent To Air Cleaner
4	5303 0497	1				EP0, ER0			FITTING, Crankcase Vent Tube
5	4854 194	1				ER0			FITTING, Vacuum
6	2946 079	2				ER0			GROMMET, Crankcase Vent

**JEEP WRANGLER (TJ)**

SERIES	LINE	BODY	ENGINE	TRANSMISSION
H = Sport	J = Wrangler 4WD	77 = 93.4 WB	EPE, EP0 = 2.5L Power Tech	DGG, DGD = 32RH 3 Spd. Auto.
L = SE	U = Wrangler 4WD (RHD)		ERH, ER0 = 4.0L Power Tech	DDQ = 5 Spd. Manual
P = Sahara				DDD = 5 Speed HD Manual
				DG0 = Auto. Trans.
				DBB = Manual Trans.

AR = Use as required - = Non illustrated part # = New this model year

September 16, 2005

# Group – 011

## Exhaust

### GROUP 11 - Exhaust

Illustration Title

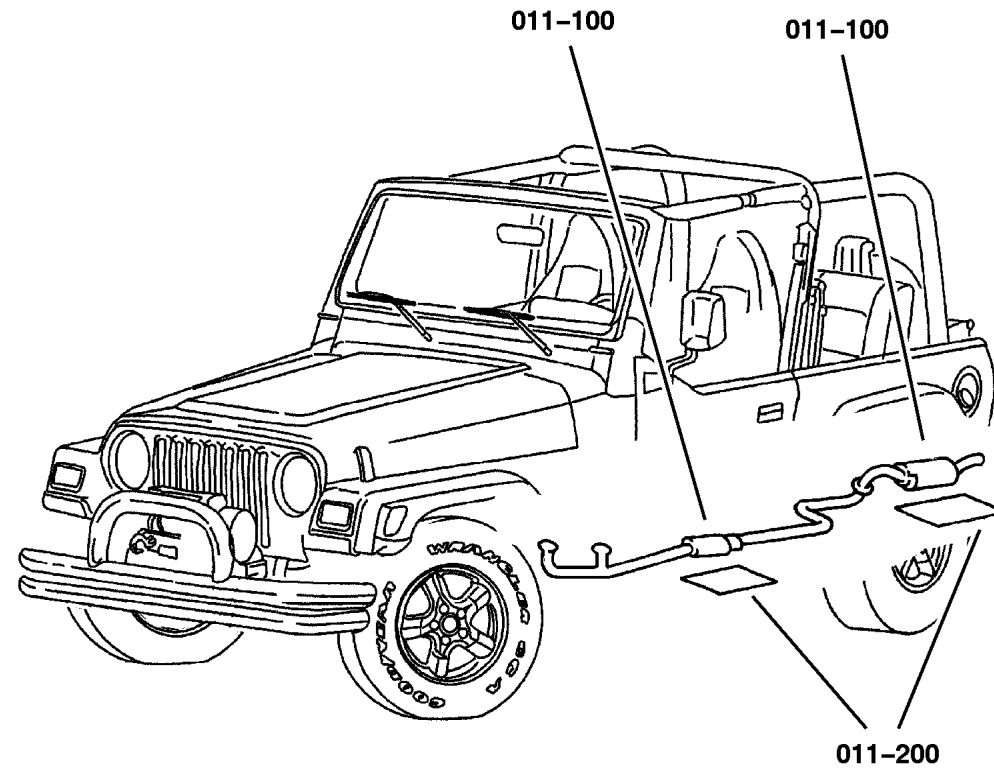
Group-Fig. No.

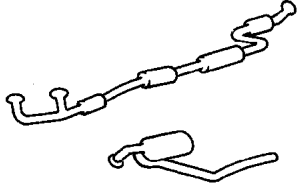
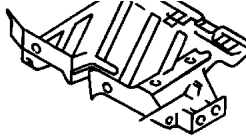
#### Exhaust System

Exhaust System, 2.5 (EPE), 4.0 (ERH) ..... Fig. 011-110

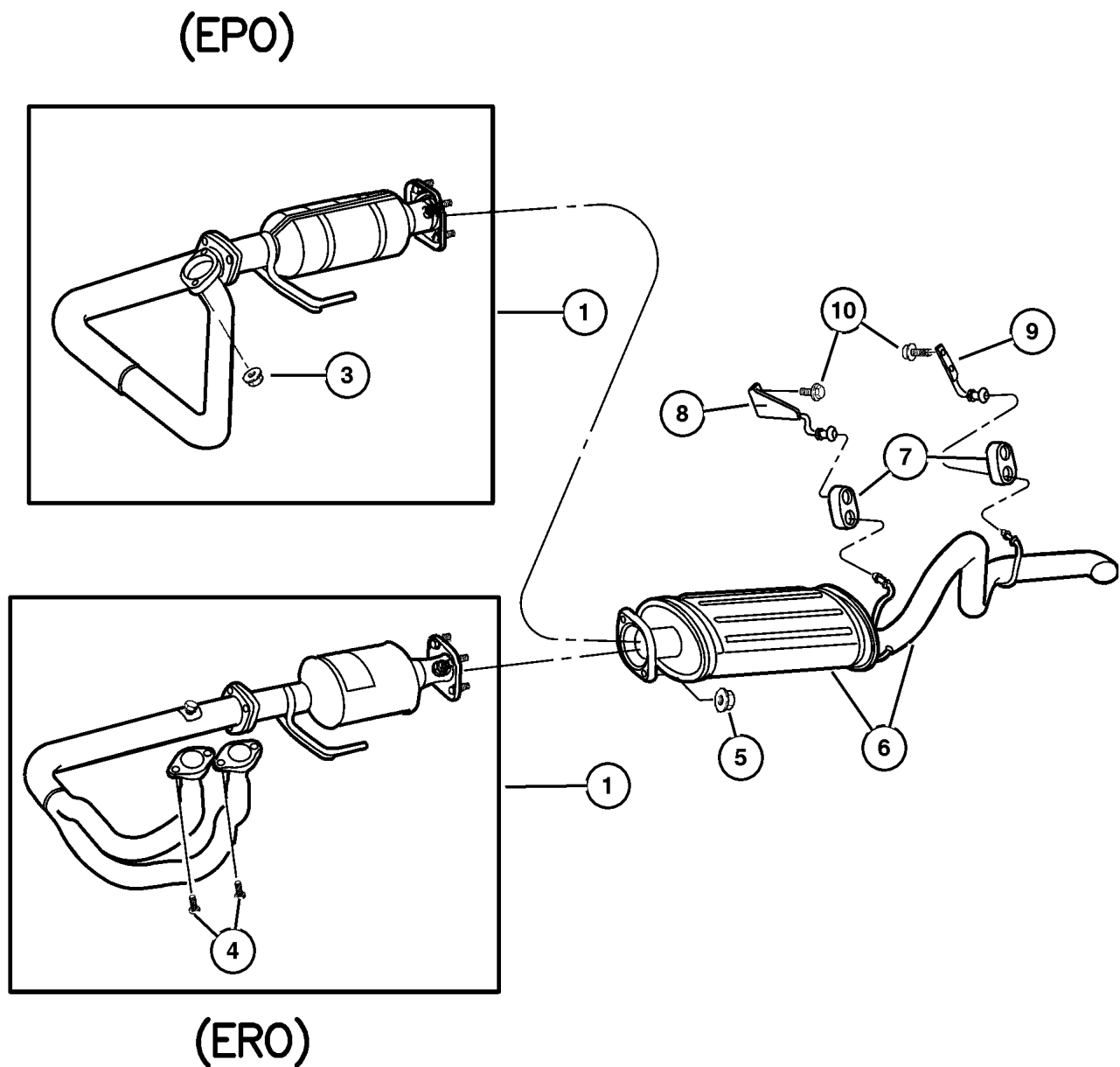
#### Heat Shields

Heat Shields, 2.5 (EPE), 4.0 (ERH) ..... Fig. 011-210



<p><b>011-100</b> Exhaust System</p> 	<p><b>011-200</b> Heat Shields</p> 		
--	--	--	--

**Exhaust System, 2.5 (EPE), 4.0 (ERH)  
Figure 011-110**



ITEM	PART NUMBER	QTY	LINE	SERIES	BODY	ENGINE	TRANS	TRIM	DESCRIPTION
NOTE: EP0=All 2.5L Gas Engines ER0=All 4.0L Engines DBB=All Manual Transmissions DG0=All Automatic Transmissions									
1	52101 194AA	1				EP0	DBB, DG0		CONVERTER, Catalytic U.S. 50 States and European III
	52101 269AA	1				ER0	DBB, DG0		European III
	52101 270AA	1				ER0	DBB, DG0		U.S. 50 States
-2	52020 050AC-	1				EP0	DBB		RESONATOR, Exhaust Leaded Fuel
	52101 173AB-	1				ER0			Leaded Fuel
3	J400 5142	2				EP0			NUT, Hex Flange Lock
4	6505 754AA	4				ER0			SCREW, Hex Head
5	6502 696	2							NUT, Hex Flange Lock, M10x1.5
6	52019 242AC	1				EP0			MUFFLER AND TAILPIPE, Exhaust
	52019 241AE	1				ER0			
7	5210 1035	2							INSULATOR, Exhaust
8	5201 9408	1							HANGER, Muffler
9	5201 9413	1							HANGER, Exhaust
10	6035 613	4							SCREW
-11	4616 707	1							GASKET, Exhaust, 3 Bolt Flange Gasket
-12	6100 517	3				EP0	DBB, DG0		NUT, Hex Flange Lock 3 Bolt Flange Nut
		3				ER0	DBB, DG0		3 Bolt Flange Nut

**JEEP WRANGLER (TJ)**

SERIES	LINE	BODY	ENGINE	TRANSMISSION
H = Sport	J = Wrangler 4WD	77 = 93.4 WB	EPE, EP0 = 2.5L Power Tech	DGG, DGD = 32RH 3 Spd. Auto.
L = SE	U = Wrangler 4WD (RHD)		ERH, ER0 = 4.0L Power Tech	DDQ = 5 Spd. Manual
P = Sahara				DDD = 5 Speed HD Manual
				DG0 = Auto. Trans.
				DBB = Manual Trans.



# Group – 013

## Frames and Bumpers

### GROUP 13 - Frames and Bumpers

Illustration Title

Group-Fig. No.

**Frames**

Frame ..... Fig. 013-110

**Front Bumper and Fascia**

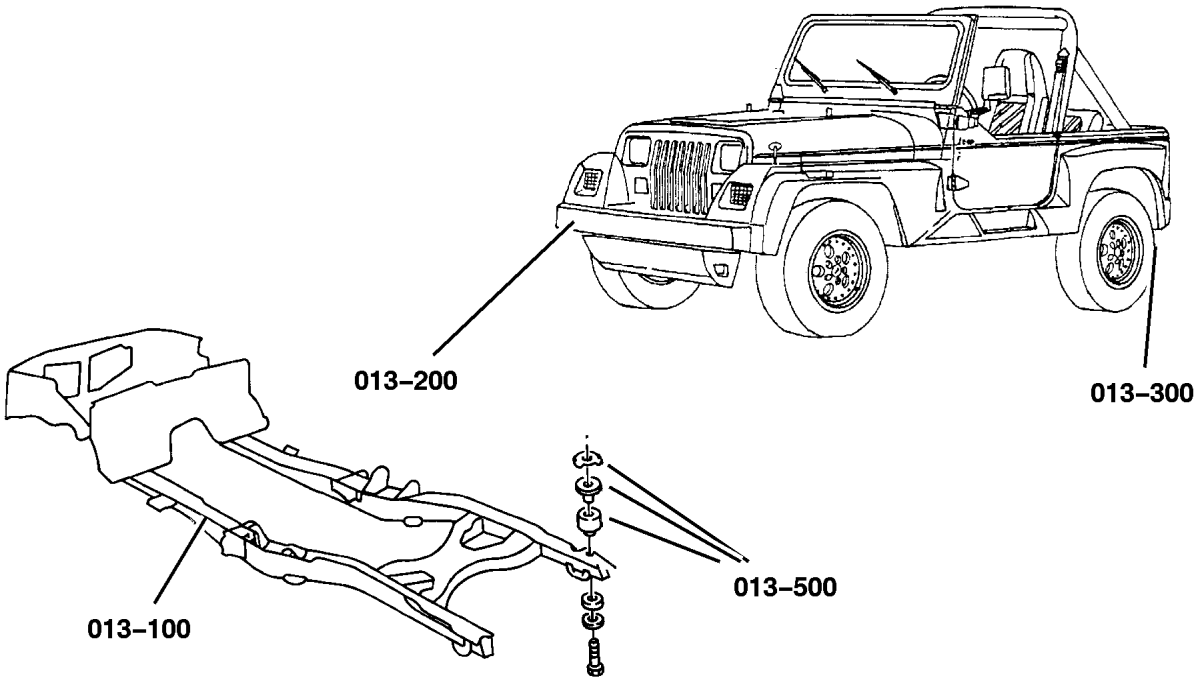
Bumper, Front ..... Fig. 013-210

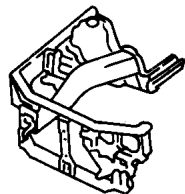
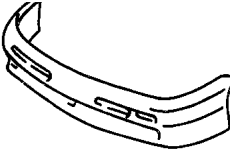


**Rear Bumper and Fascia**

Bumper, Rear ..... Fig. 013-310

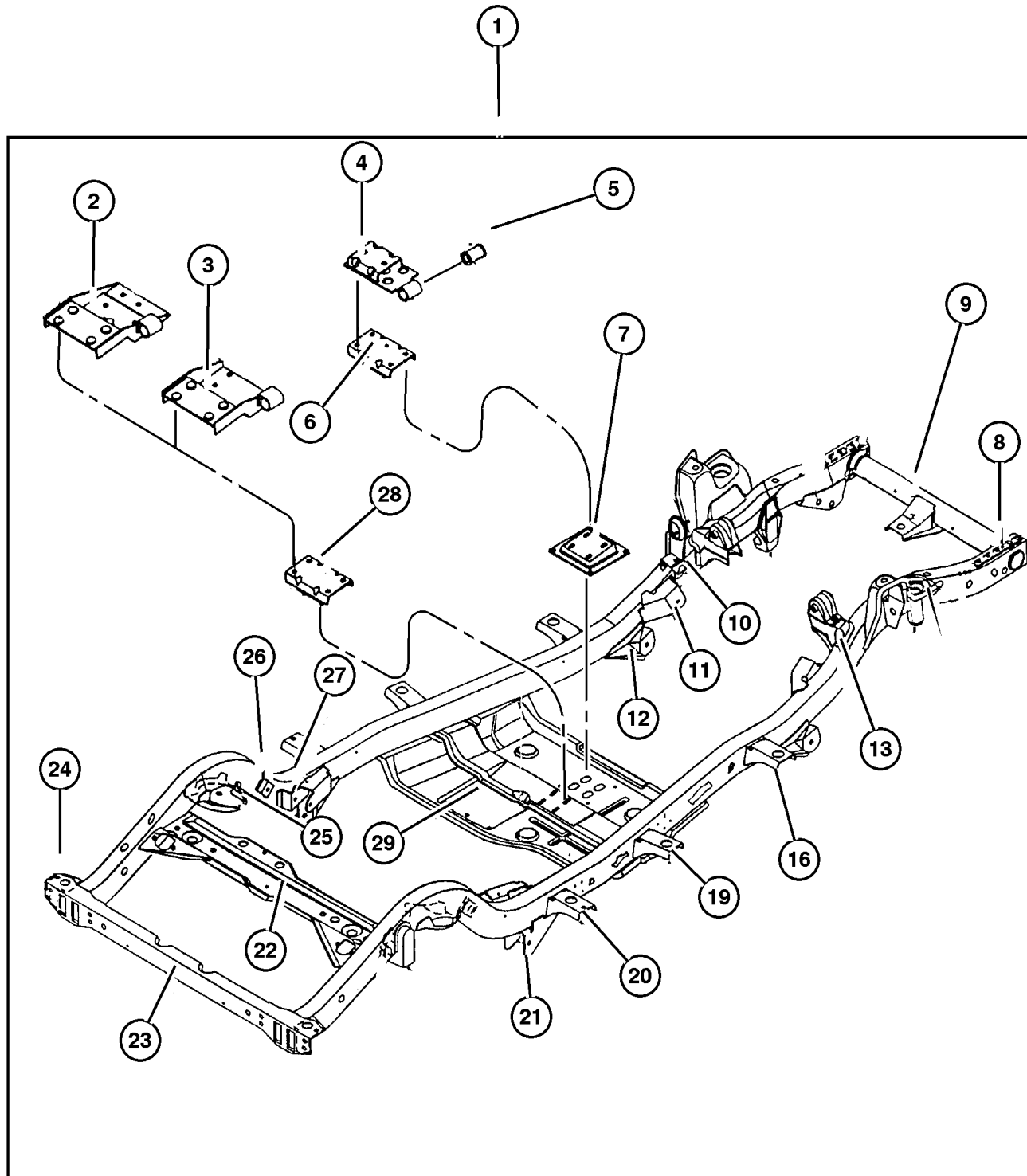
**Body Hold Down**

Body Mounting Hardware ..... Fig. 013-510



<p><b>013-100</b> Frames</p> 	<p><b>013-200</b> Front Bumper and Fascia</p> 	<p><b>013-300</b> Rear Bumper and Fascia</p> 	<p><b>013-500</b> Body Hold Down</p> 
--	---	---	--

Frame  
Figure 013-110



ITEM	PART NUMBER	QTY	LINE	SERIES	BODY	ENGINE	TRANS	TRIM	DESCRIPTION
Note: Sales Code EP0 = 2.5L Gas Engine									
Note: Sales Code ER0 = 4.0L Gas Engine									
1									FRAME, Chassis
	52058 811AE	1	J						4.0L Eng.
	52058 813AE	1	J						2.5L Eng.
	52058 815AE	1	U						4.0L Eng.
	52058 817AE	1	U						2.5L Eng.
2	5205 8618	1							BRACKET, Transmission Mount
3	52058 546AB	1							BRACKET, Transmission Mount
4	52058 548AB	1							BRACKET, Transmission Mount
5	5208 5085	1							BUSHING, Exhaust Hanger
6	52058 551AB	1							MOUNT, Transmission, Trans. Support
7	5205 8863	1							BRACKET, Transmission Mount, Trans. Supprt
8									PLATE, Suspension
	5205 8430	2	J						
		2	U						
9									CROSSMEMBER, Underbody
	5003 819AA	1	J						
		1	U						
10									BRACKET, Frame Rail
	5205 8893	1	J						2.5L Eng.
		1	J						4.0L Eng.
	5205 8894	1	U						2.5L Eng.
		1	U						4.0L Eng.
11									BRACKET, Frame Rail
	52058 160AB	1	J						Right
	52058 161AB	1	J						Left
	52058 160AB	1	U						Right
	52058 161AB	1	U						Left
12									BRACKET, Frame Rail
	5205 8090	1	J						Right
		1	U						Right
	5205 8091	1	J						Left
		1	U						Left
13									BRACKET, Engine Mount
	5205 8864	1	J						Upper, w/4.0L Eng., Right
		1	U						Upper, w/4.0L Eng., Right
	5205 8865	1	J						Upper, w/4.0L Eng., Left
		1	U						Upper, w/4.0L Eng., Left
	5205 8870	1	J						Upper, w/2.5L Eng., Right

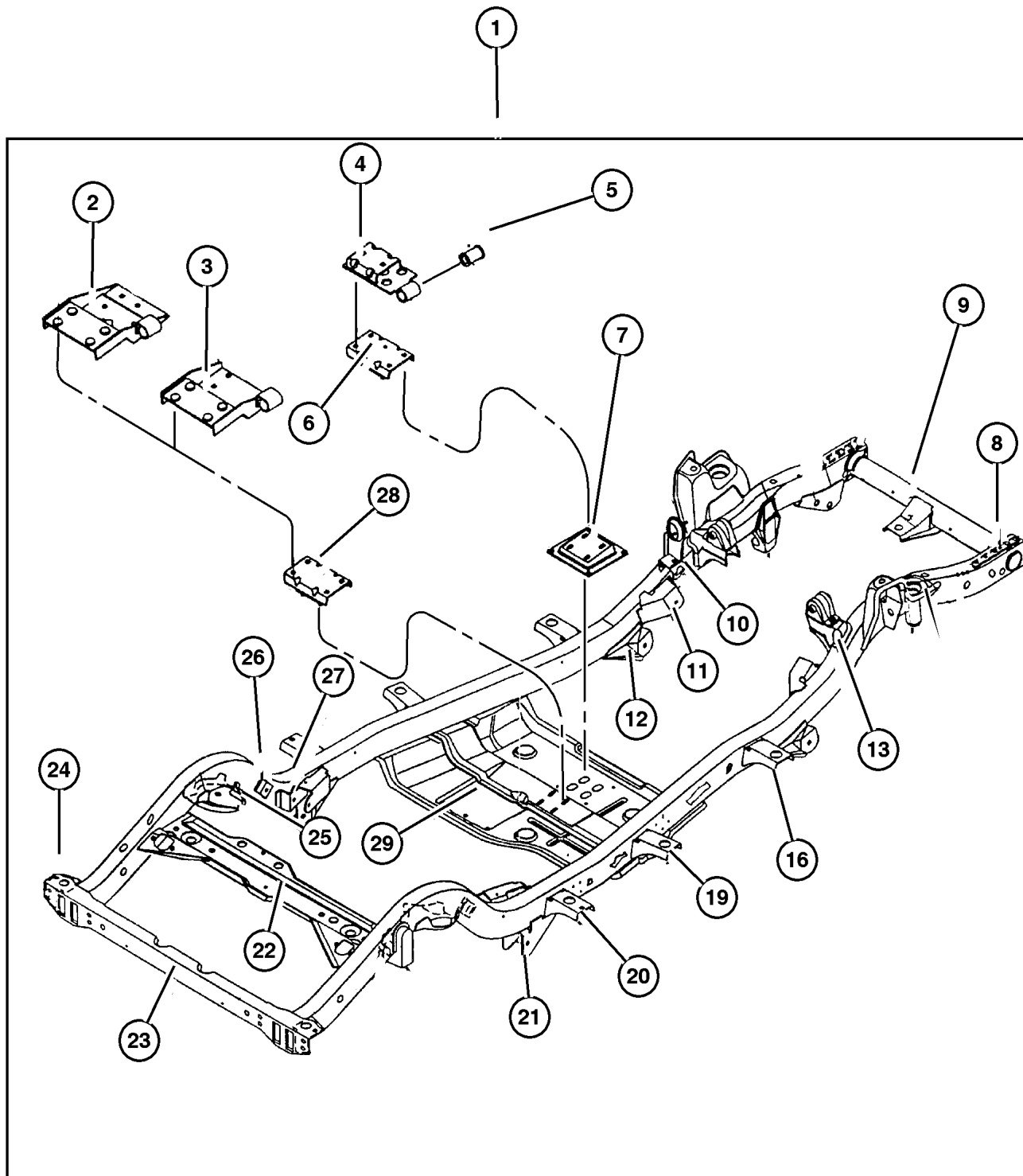
JEEP WRANGLER (TJ)

SERIES	LINE	BODY	ENGINE	TRANSMISSION
H = Sport	J = Wrangler 4WD	77 = 93.4 WB	EPE, EP0 = 2.5L Power Tech	DGG, DGD = 32RH 3 Spd. Auto.
L = SE	U = Wrangler 4WD (RHD)		ERH, ER0 = 4.0L Power Tech	DDQ = 5 Spd. Manual
P = Sahara				DDD = 5 Speed HD Manual
				DG0 = Auto. Trans.
				DBB = Manual Trans.

AR = Use as required - = Non illustrated part # = New this model year

September 16, 2005

Frame  
Figure 013-110



ITEM	PART NUMBER	QTY	LINE	SERIES	BODY	ENGINE	TRANS	TRIM	DESCRIPTION
		1	U						Upper, w/2.5L Eng., Right
	5205 8871	1	J						Upper, w/2.5L Eng., Left
		1	U						Upper, w/2.5L Eng., Left
-14									REINFORCEMENT, Engine Mount
	5205 8846	1	J						Right
		1	U						Right
	5205 8847	1	J						Left
		1	U						Left
-15									REINFORCEMENT, Engine Mount
	5205 8911	1	J						Right
		1	U						Right
	5205 8845	1	J						Left
		1	U						Left
16									BRACKET, Frame
	5003 831AA	4	J						
		4	U						
-17									SCREW, Hex Flange Head
	6035 836	6	J						
		6	U						
-18									NUT
	6035 739	6	J						
		6	U						
19									BRACKET, Frame
	5003 831AA	4	J						
		4	U						
20									BRACKET, Frame
	5003 836AA	2	J						
		2	U						
21									BRACKET, Frame Rail
	5003 832AA	1	J						Right
		1	U						Right
	5003 833AA	1	J						Left
		1	U						Left
22									CROSSMEMBER, Intermediate Rear
	5205 8136	1	J						
		1	U						
23									CROSSMEMBER, Rear Frame
	52058 121AB	1	J						
		1	U						
24									REINFORCEMENT, Crossmember
	5205 8772	1	J						Right
		1	U						Right

JEEP WRANGLER (TJ)

SERIES	LINE	BODY	ENGINE	TRANSMISSION
H = Sport	J = Wrangler 4WD	77 = 93.4 WB	EPE, EP0 = 2.5L Power Tech	DGG, DGD = 32RH 3 Spd. Auto.
L = SE	U = Wrangler 4WD (RHD)		ERH, ER0 = 4.0L Power Tech	DDQ = 5 Spd. Manual
P = Sahara				DDD = 5 Speed HD Manual
				DG0 = Auto. Trans.
				DBB = Manual Trans.

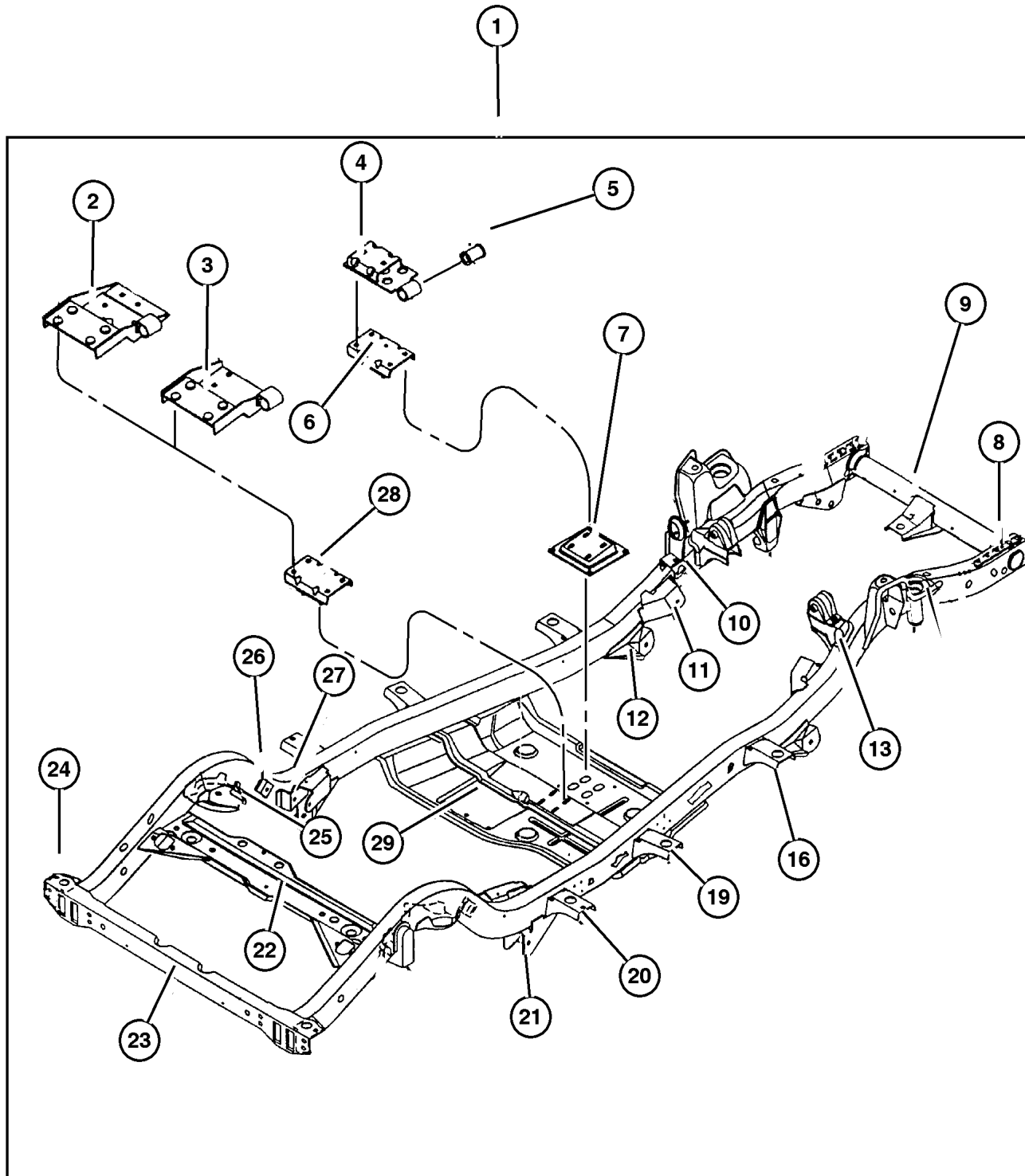
AR = Use as required - = Non illustrated part # = New this model year

September 16, 2005



Frame  
Figure 013-110

ITEM	PART NUMBER	QTY	LINE	SERIES	BODY	ENGINE	TRANS	TRIM	DESCRIPTION
	5205 8773	1	J						Left
		1	U						Left
25	5205 8420	1	J						BRACKET, Frame Rail
		1	U						Right
	5205 8421	1	J						Left
		1	U						Left
26	5205 8632	2	J						BRACKET, Stabilizer Bar
		2	U						
27	5003 834AB	1	J						BRACKET, Upper Control Arm
		1	U						
28	52058 551AB	1							MOUNT, Transmission, Trans. Support
29	52058 133AC	1	J						SKID PLATE, Support
		1	U						



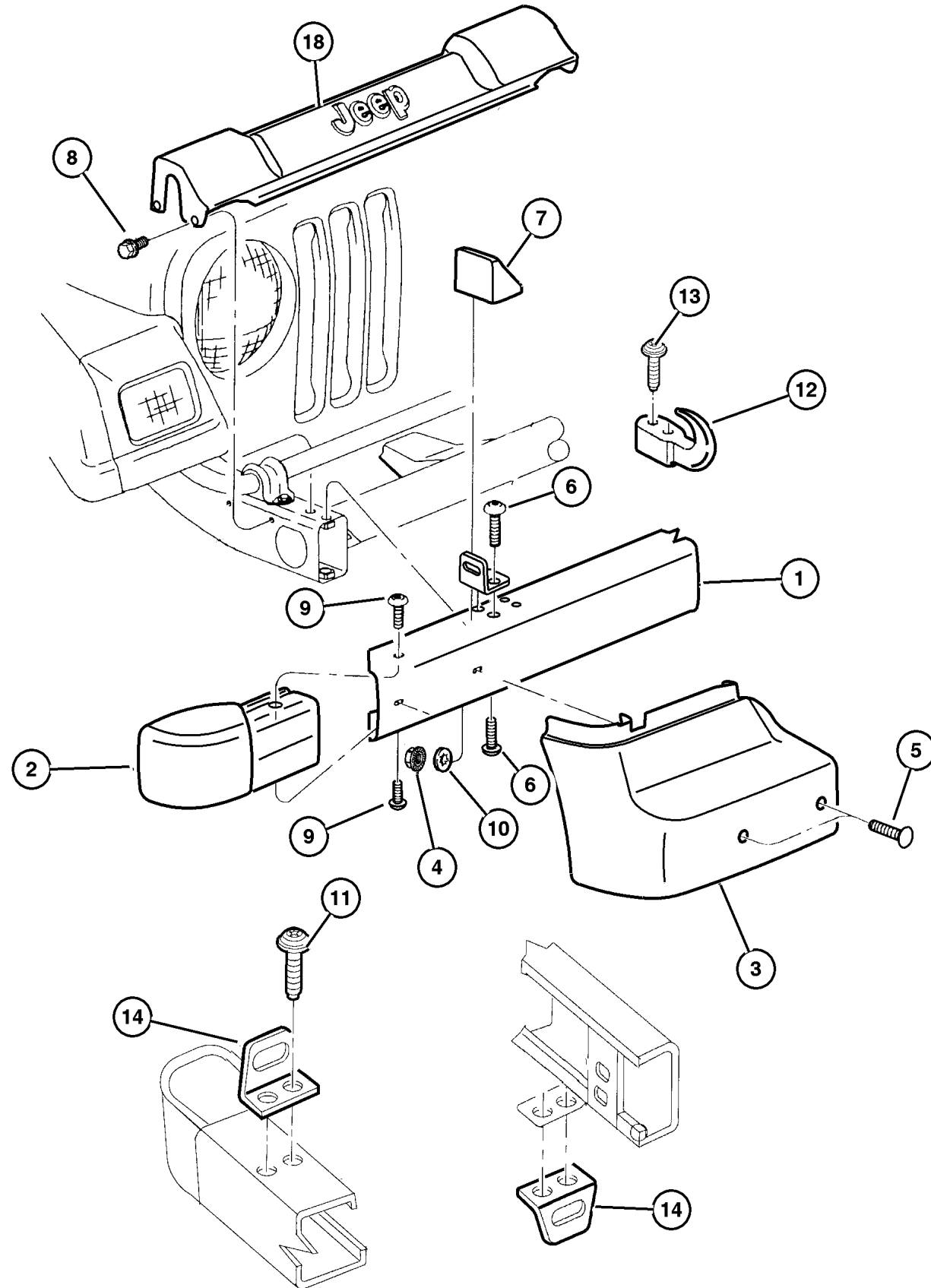
**JEEP WRANGLER (TJ)**

SERIES	LINE	BODY	ENGINE	TRANSMISSION
H = Sport	J = Wrangler 4WD	77 = 93.4 WB	EPE, EP0 = 2.5L Power Tech	DGG, DGD = 32RH 3 Spd. Auto.
L = SE	U = Wrangler 4WD (RHD)		ERH, ER0 = 4.0L Power Tech	DDQ = 5 Spd. Manual
P = Sahara				DDD = 5 Speed HD Manual
				DG0 = Auto. Trans.
				DBB = Manual Trans.

AR = Use as required - = Non illustrated part # = New this model year

September 16, 2005

## Bumper, Front Figure 013-210



ITEM	PART NUMBER	QTY	LINE	SERIES	BODY	ENGINE	TRANS	TRIM	DESCRIPTION
1	5ED16 JX8AF	1							BAR, Bumper Front - Painted
2									EXTENSION, Bumper
	55155 756AA	1	J						Right
	55155 757AA	1	J						Left
	55155 762AA	1							Export, Right
	55155 763AA	1							Export, Left
3									COVER, Bumper
	55155 668AB	1							Export, Right
	55155 669AB	1							Export, Left
4	6100 840	4							NUT, Spring
5	6504 723	4							BOLT
6									SCREW, Pan Head, (NOT SERVICED) (Not Serviced)
7									CAP, (NOT SERVICED) (Not Serviced)
8	6036 181AA	4							SCREW AND WASHER
9	6504 212	2							SCREW, Large Round Washer Head
10	6100 840	4							Lock, M6x1.00x20.00
11									NUT, Spring
12									HOOK, Tow
	5205 9015	1							Left
	5205 9016	1							Right
13	6036 060AA	4							SCREW
14	52059 379AB	1							HOOK, Tow, Rear
-15									SCREW, (NOT SERVICED) (Not Serviced)
-16	6504 662	4							RETAINER, Push On
-17									NUT, (NOT SERVICED) (Not Serviced)
18	55155 667AF	1							COVER, Bumper
-19	52000 240AC-	2							GUARD, Bumper

### JEEP WRANGLER (TJ)

SERIES  
H = Sport  
L = SE  
P = Sahara

LINE  
J = Wrangler 4WD  
U = Wrangler 4WD (RHD)

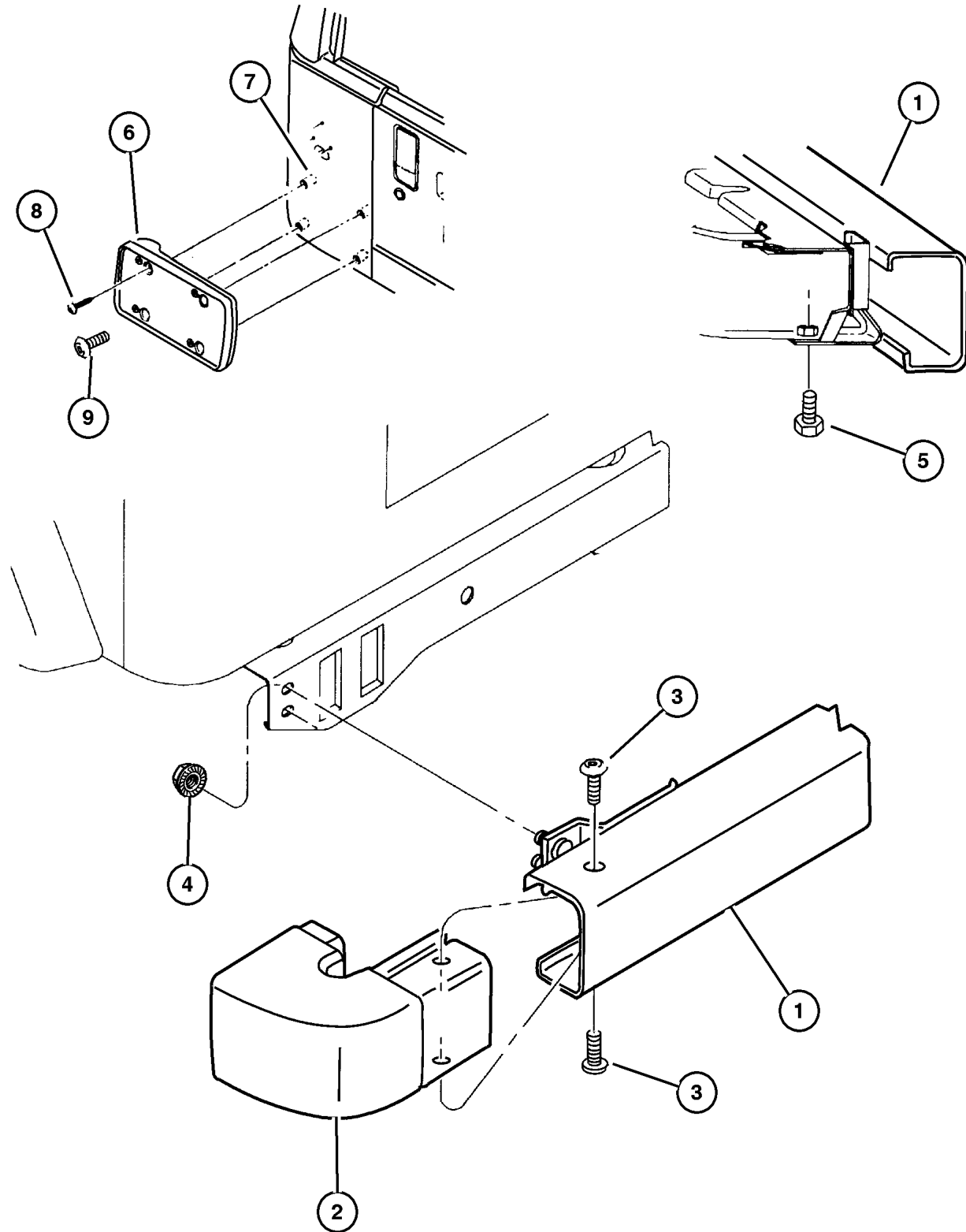
BODY  
77 = 93.4 WB

ENGINE  
EPE, EP0 = 2.5L Power Tech  
ERH, ER0 = 4.0L Power Tech

TRANSMISSION  
DGG, DGD = 32RH 3 Spd. Auto.  
DDQ = 5 Spd. Manual  
DDD = 5 Speed HD Manual  
DG0 = Auto. Trans.  
DBB = Manual Trans.

**Bumper, Rear**  
**Figure 013-310**

ITEM	PART NUMBER	QTY	LINE	SERIES	BODY	ENGINE	TRANS	TRIM	DESCRIPTION
1									BAR, Bumper Rear - Black
	5EY03 JX8AE	1							Export
	5ED18 JX8AB	1	J						
2									EXTENSION, Bumper
	55155 760AA	1	J						Right
	55155 761AA	1	J						Left
	55155 762AA	1							Export, Right
	55155 763AA	1							Export, Left
3	6504 212	2							SCREW, Large Round Washer Head
									Lock, M6x1.00x20.00
4									NUT, Hex, .437-14, (NOT REQUIRED)
5									SCREW, (NOT SERVICED) (Not Serviced)
6	5517 4994	1	J	H, L, P					BRACKET, License Plate
7	6504 662	4							RETAINER, Push On
8									SCREW, (NOT SERVICED) (Not Serviced)
9	3420 1686	2							BOLT, Hex Flange Head, M12x1.18x35
-10	52059 379AB-	1							HOOK, Tow



**JEEP WRANGLER (TJ)**

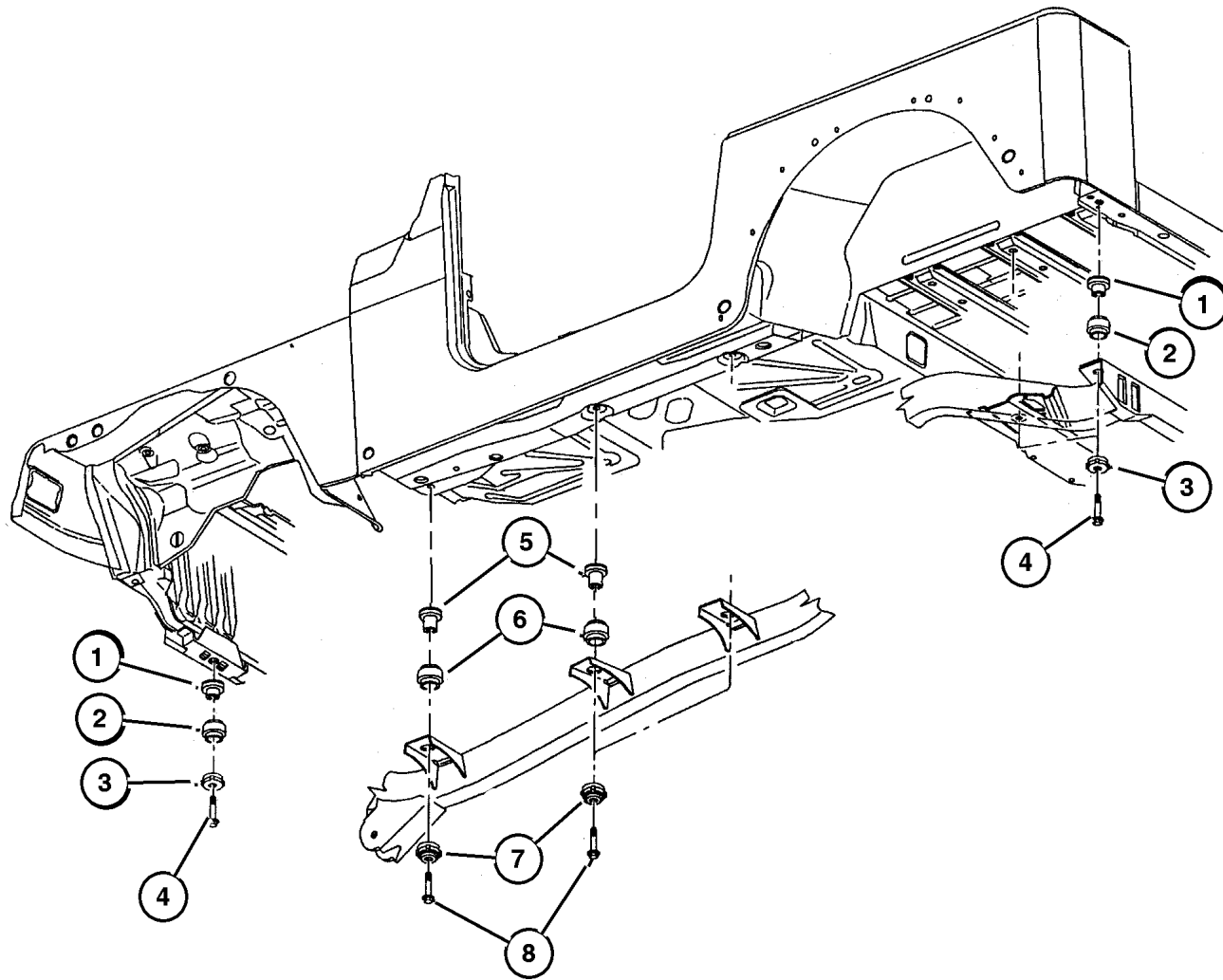
<b>SERIES</b>	<b>LINE</b>	<b>BODY</b>	<b>ENGINE</b>	<b>TRANSMISSION</b>
H = Sport	J = Wrangler 4WD	77 = 93.4 WB	EPE, EP0 = 2.5L Power Tech	DGG, DGD = 32RH 3 Spd. Auto.
L = SE	U = Wrangler 4WD (RHD)		ERH, ER0 = 4.0L Power Tech	DDQ = 5 Spd. Manual
P = Sahara				DDD = 5 Speed HD Manual
				DG0 = Auto. Trans.
				DBB = Manual Trans.

AR = Use as required - = Non illustrated part # = New this model year

September 16, 2005

## Body Mounting Hardware Figure 013-510

ITEM	PART NUMBER	QTY	LINE	SERIES	BODY	ENGINE	TRANS	TRIM	DESCRIPTION
1	5200 1961	6							RETAINER, Body Mount
2	5517 6179	5							INSULATOR, Body Hold Down
3	5517 6178	5							INSULATOR, Body Hold Down
4									SCREW, .437-14x.75, Use J4007412, (NOT SERVICED) (Not Serviced)
5	5200 2661	5							RETAINER, Body Mount
6	55176 177AB	6							INSULATOR, Body Hold Down
7	5517 6180	6							INSULATOR, Body Hold Down
8									SCREW, Hex Flange Head, .50-13x3.75, (NOT SERVICED) (Not Serviced)



### JEEP WRANGLER (TJ)

SERIES	LINE	BODY	ENGINE	TRANSMISSION
H = Sport	J = Wrangler 4WD	77 = 93.4 WB	EPE, EP0 = 2.5L Power Tech	DGG, DGD = 32RH 3 Spd. Auto.
L = SE	U = Wrangler 4WD (RHD)		ERH, ER0 = 4.0L Power Tech	DDQ = 5 Spd. Manual
P = Sahara				DDD = 5 Speed HD Manual
				DG0 = Auto. Trans.
				DBB = Manual Trans.

AR = Use as required - = Non illustrated part # = New this model year

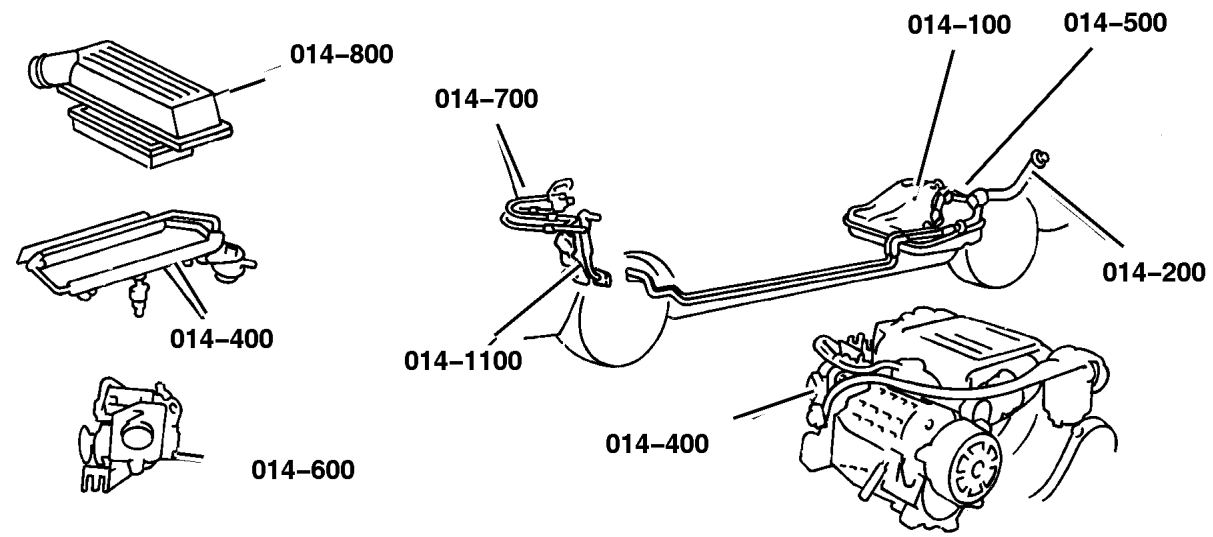
September 16, 2005

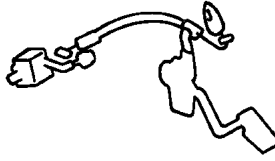

# Group – 014

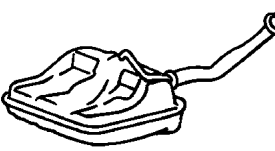

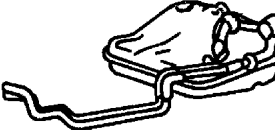
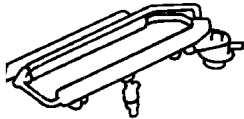
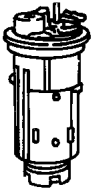

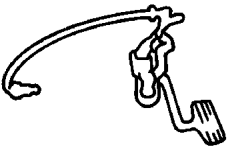
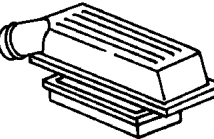
## Fuel

# Group – 014

## Fuel



<p><b>014-1000</b> Speed Control</p> 	<p><b>014-1100</b> Accelerator Pedal</p> 		
--	--	--	--

<p><b>014-100</b> Tank, Fuel</p> 	<p><b>014-200</b> Fuel Tank Filler Tube</p> 	<p><b>014-300</b> Fuel Lines</p> 	<p><b>014-400</b> Fuel Rail</p> 
<p><b>014-500</b> Fuel Pump and Sending Unit</p> 	<p><b>014-600</b> Throttle Body</p> 	<p><b>014-700</b> Throttle Controls</p> 	<p><b>014-800</b> Air Cleaner</p> 

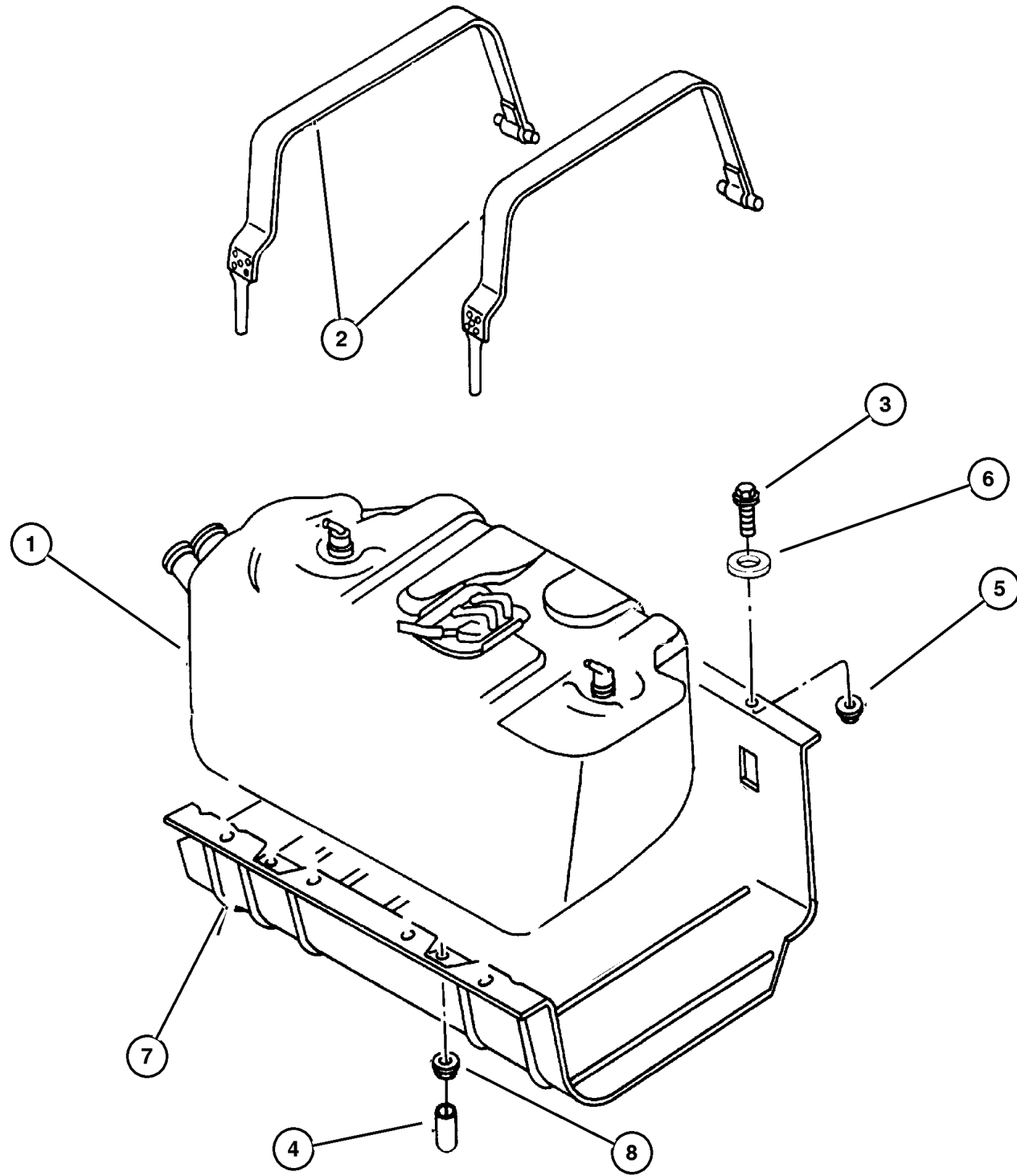


---

## GROUP 14 - Fuel

Illustration Title	Group-Fig. No.
<b>Tank, Fuel</b>	
Fuel Tank, 2.5 (EPE), 4.0 (ERH) .....	Fig. 014-110
<b>Fuel Tank Filler Tube</b>	
Fuel Filler Tube, 2.5 (EPE), 4.0 (ERH) .....	Fig. 014-210
<b>Fuel Lines</b>	
Fuel Lines, Front, 2.5 (EPE) .....	Fig. 014-310
Fuel Lines, Rear, 2.5 (EPE) .....	Fig. 014-320
Fuel Lines, Front, 4.0 (ERH) .....	Fig. 014-330
Fuel Lines, Rear, 4.0 (ERH) .....	Fig. 014-340
<b>Fuel Rail</b>	
Fuel Injection System, 2.5 (EPE), 4.0 (ERH) .....	Fig. 014-410
<b>Fuel Pump and Sending Unit</b>	
Fuel Module, 2.5 (EPE), 4.0 (ERH) .....	Fig. 014-510
<b>Throttle Body</b>	
Throttle Body, 2.5 (EPE), 4.0 (ERH) .....	Fig. 014-610
<b>Throttle Controls</b>	
Throttle Controls, 2.5 (EPE), 4.0 (ERH) .....	Fig. 014-710
<b>Air Cleaner</b>	
Air Cleaner, 2.5 (EPE), 4.0 (ERH) .....	Fig. 014-810
<b>Speed Control</b>	
Speed Control, 2.5 (EPE), 4.0 (ERH) .....	Fig. 014-1010
<b>Accelerator Pedal</b>	
Accelerator Pedal, 2.5 (EPE), 4.0 (ERH) .....	Fig. 014-1110

Fuel Tank, 2.5 (EPE), 4.0 (ERH)  
Figure 014-110



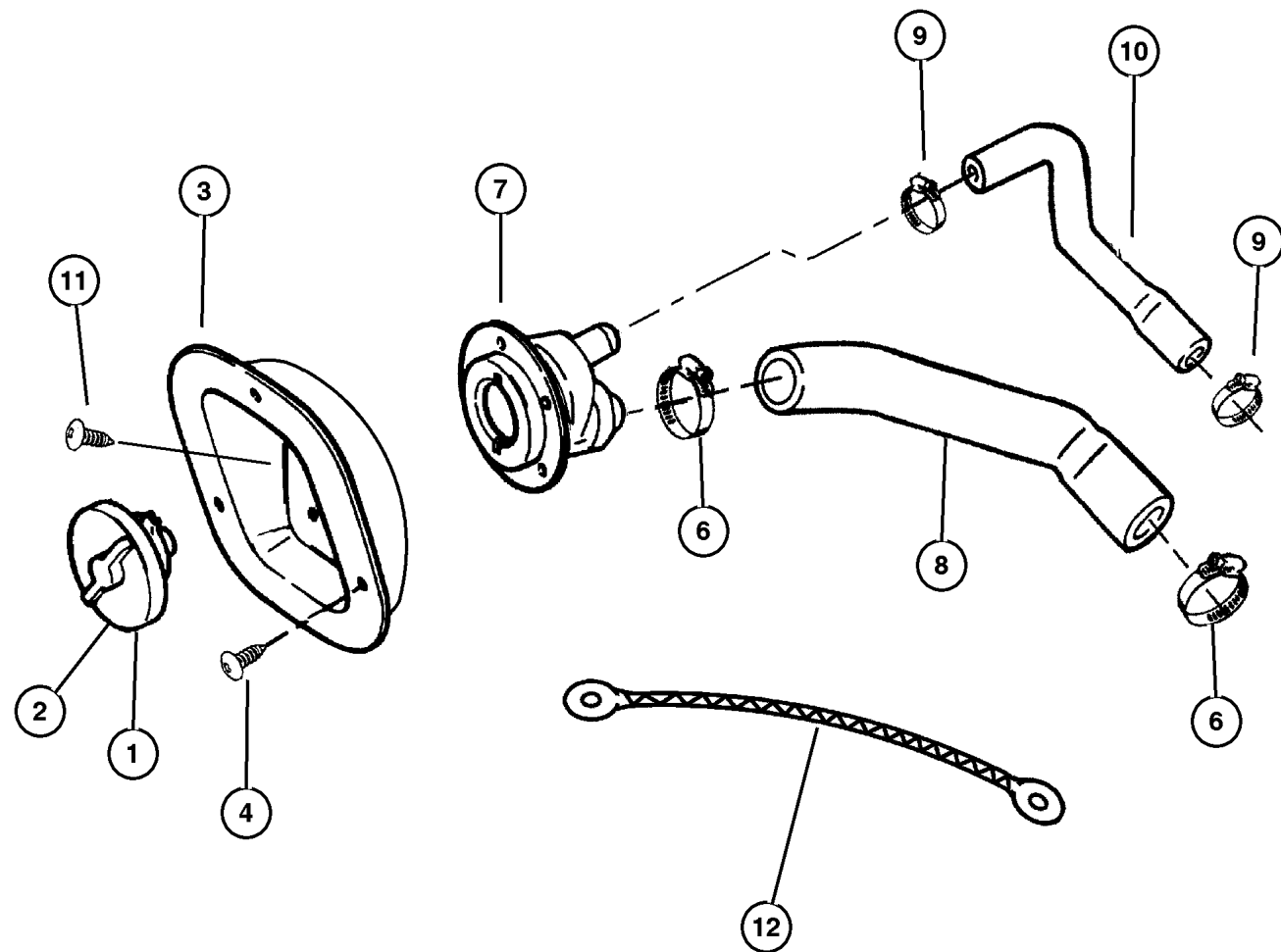
ITEM	PART NUMBER	QTY	LINE	SERIES	BODY	ENGINE	TRANS	TRIM	DESCRIPTION
NOTE: EP0=All 2.5L Gas Engines ER0=All 4.0L Engines									
1	52018 768AD	1				EP0, ER0			TANK, Fuel
2	5210 0235	2							STRAP, Fuel Tank
3									BOLT, .312-18x.750, (NOT SERVICED) (Not Serviced)
4	5201 8098	2							CAP, Support Strap Stud
5	J400 3587	2							NUT, Hex
6	J400 5293	7							RETAINER, Push In Type M6.3 Hole
7	52100 219AB	1							PLATE, Skid, With Sales Code XEE
8	J400 3587	2							NUT, Hex

<b>JEEP WRANGLER (TJ)</b>			
SERIES	LINE	BODY	ENGINE
H = Sport	J = Wrangler 4WD	77 = 93.4 WB	EPE, EP0 = 2.5L Power Tech
L = SE	U = Wrangler 4WD (RHD)		ERH, ER0 = 4.0L Power Tech
P = Sahara			
			TRANSMISSION
			DGG, DGD = 32RH 3 Spd. Auto.
			DDQ = 5 Spd. Manual
			DDD = 5 Speed HD Manual
			DG0 = Auto. Trans.
			DBB = Manual Trans.

AR = Use as required - = Non illustrated part # = New this model year

September 16, 2005

Fuel Filler Tube, 2.5 (EPE), 4.0 (ERH)  
Figure 014-210



ITEM	PART NUMBER	QTY	LINE	SERIES	BODY	ENGINE	TRANS	TRIM	DESCRIPTION
NOTE: EP0=All 2.5L Gas Engines ER0=All 4.0L Engines									
1	52100 552AA	1	J						CAP, Fuel Filler Non-Locking, Quick On
	52100 553AA	1	J						Export, Non-Locking, Quick On
2	5016 763AB	1							CAP KIT, Fuel Tank Locking, Locking
3	52127 675AC	1							HOUSING, Fuel Filler
4	0153 651	4							SCREW AND WASHER, .190-16x. 500, [.190-16x.500]
-5	0153 651	4							SCREW AND WASHER, .190-16x. 500
6	6502 090	1				EP0, ER0			CLAMP, Hose
7	52079 325AC	1				EP0, ER0			TUBE, Fuel Filler
	52079 326AC	1				EP0, ER0			Leaded Fuel
8	52100 032AD	1				EP0, ER0			HOSE, Fuel Filler, U.S., Export and Leaded Fuel
9	J320 3077	1				EP0, ER0			CLAMP, Hose
10	52100 033AD	1				EP0, ER0			HOSE, Fuel Tank Vent, U.S.,Export and Leaded Fuel
11	0153 832	4							SCREW, .190-16x1.00
12	5600 9161	1							STRAP, Ground

JEEP WRANGLER (TJ)

SERIES  
H = Sport  
L = SE  
P = Sahara

LINE  
J = Wrangler 4WD  
U = Wrangler 4WD (RHD)

BODY  
77 = 93.4 WB

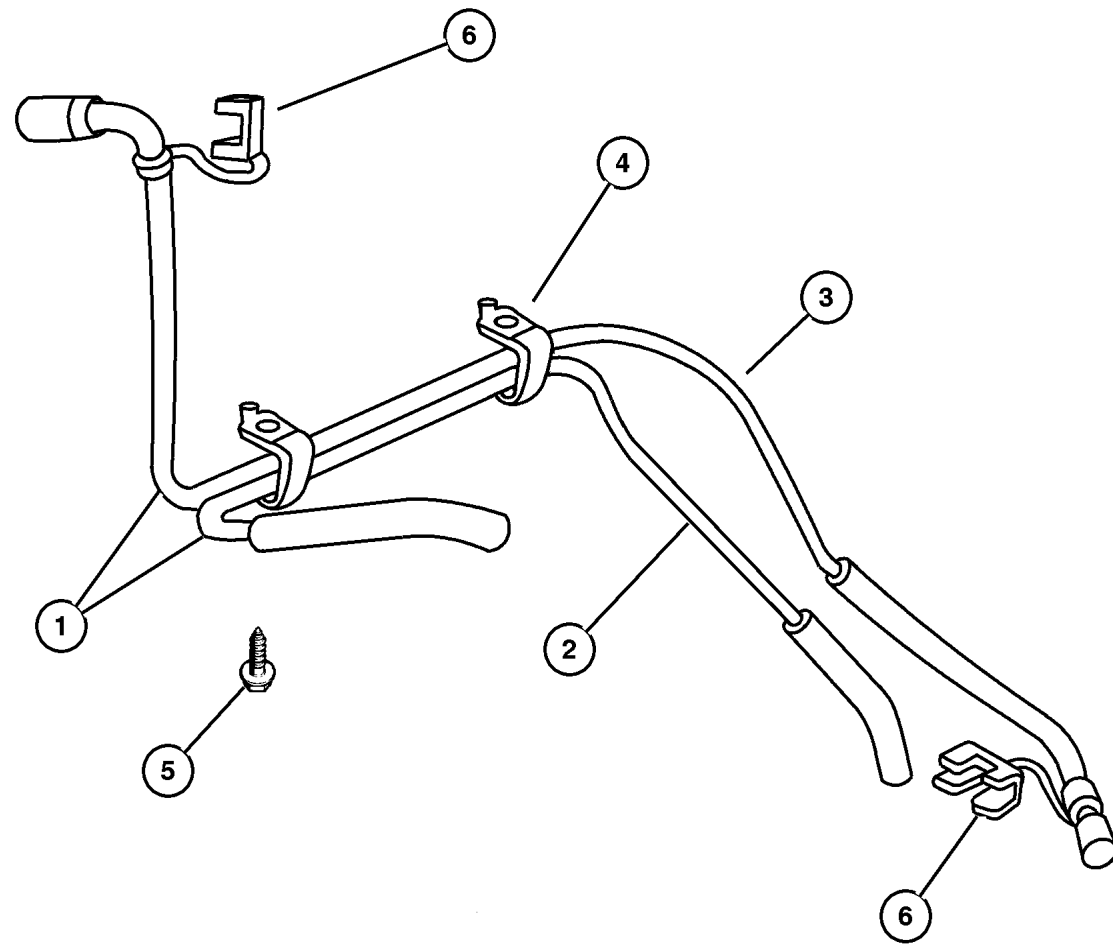
ENGINE  
EPE, EP0 = 2.5L Power Tech  
ERH, ER0 = 4.0L Power Tech

TRANSMISSION  
DGG, DGD = 32RH 3 Spd. Auto.  
DDQ = 5 Spd. Manual  
DDD = 5 Speed HD Manual  
DG0 = Auto. Trans.  
DBB = Manual Trans.



Fuel Lines, Front, 2.5 (EPE)  
Figure 014-310

ITEM	PART NUMBER	QTY	LINE	SERIES	BODY	ENGINE	TRANS	TRIM	DESCRIPTION
NOTE: EP0=All 2.5L Gas Engines									
1	52100 278AG	1				EP0			BUNDLE, Fuel Line
2									TUBE, Fuel, Serviced in Fuel Bundle, (NOT SERVICED) (Not Serviced)
3									TUBE, Fuel Vapor, Serviced in Fuel Bundle, (NOT SERVICED) (Not Serviced)
4									CLIP, Fuel Line, Serviced in Fuel Bundle, (NOT SERVICED) (Not Serviced)
5	6101 786	2				EP0			SCREW, Self Tapping, M6x1x15
6									CLIP, Fuel Line, Serviced in Fuel Bundle, (NOT SERVICED) (Not Serviced)

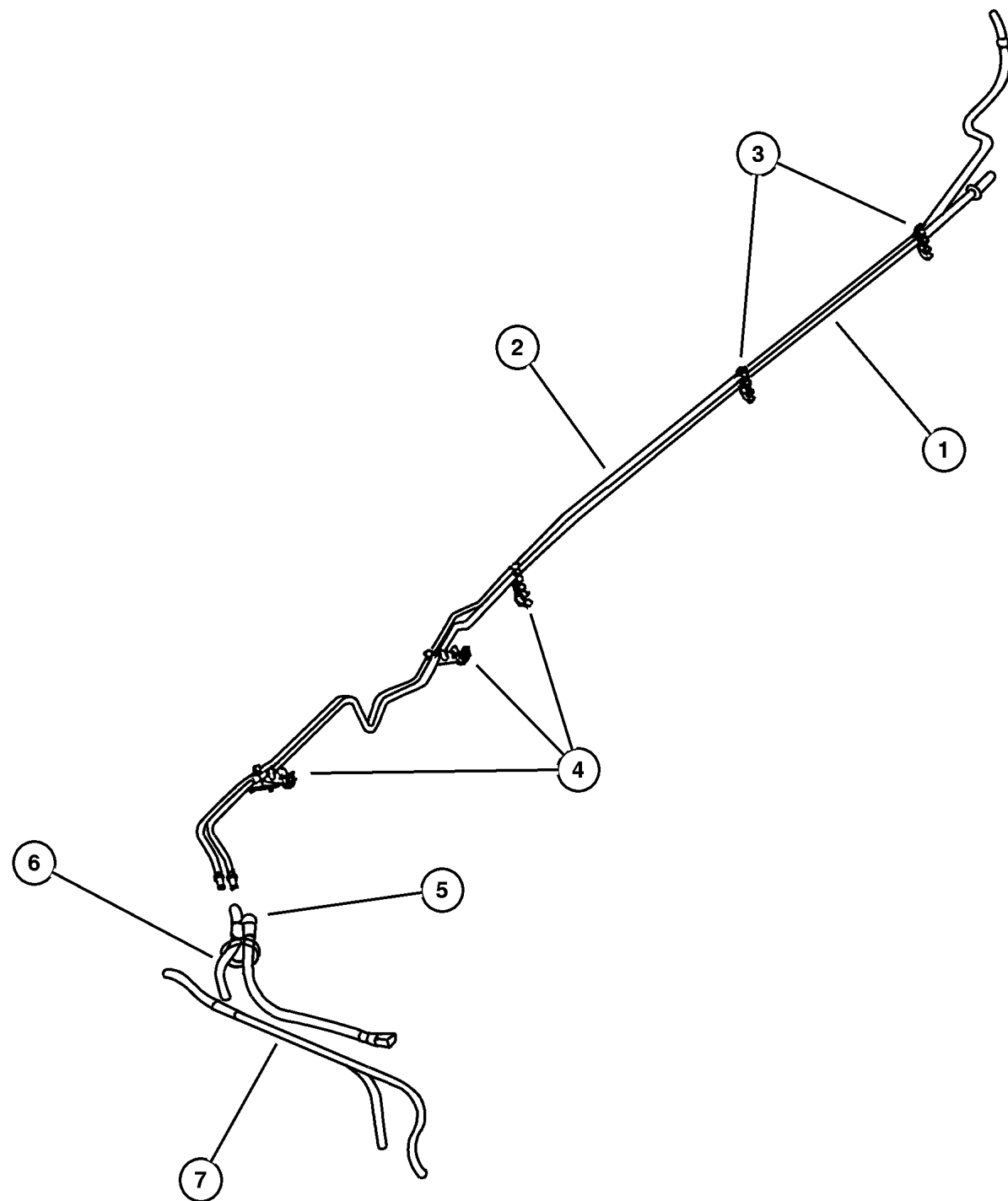


JEEP WRANGLER (TJ)				TRANSMISSION
SERIES	LINE	BODY	ENGINE	
H = Sport	J = Wrangler 4WD	77 = 93.4 WB	EPE, EP0 = 2.5L Power Tech	DGG, DGD = 32RH 3 Spd. Auto.
L = SE	U = Wrangler 4WD (RHD)		ERH, ER0 = 4.0L Power Tech	DDQ = 5 Spd. Manual
P = Sahara				DDD = 5 Speed HD Manual
				DG0 = Auto. Trans.
				DBB = Manual Trans.

AR = Use as required - = Non illustrated part # = New this model year

September 16, 2005

Fuel Lines, Rear, 2.5 (EPE)  
Figure 014-320



ITEM	PART NUMBER	QTY	LINE	SERIES	BODY	ENGINE	TRANS	TRIM	DESCRIPTION
Note; EP0= All 2.5L 4 Cylinder Gas Engines									
ER0= All 4.0L 6 Cylinder Gas Engines									
1	5212 7502	1				EP0, ER0			TUBE, Fuel Supply
2	5212 7601	1				EP0, ER0			TUBE, Fuel Vapor
3	3420 2371	2				EP0, ER0			CLIP, Quad Tubes
4	5200 7995	3				EP0, ER0			CLIP, Five Way Fastener
5	52100 167AB	1				EP0, ER0			BUNDLE, Fuel Line, Chassis To Fuel Tank
6									HOSE, Fuel And Vapor, 25 Foot Roll 3/16", (NOT SERVICED) (Not Serviced)
7	52100 185AB	1				EP0, ER0			HOSE, Fuel Vapor

JEEP WRANGLER (TJ)

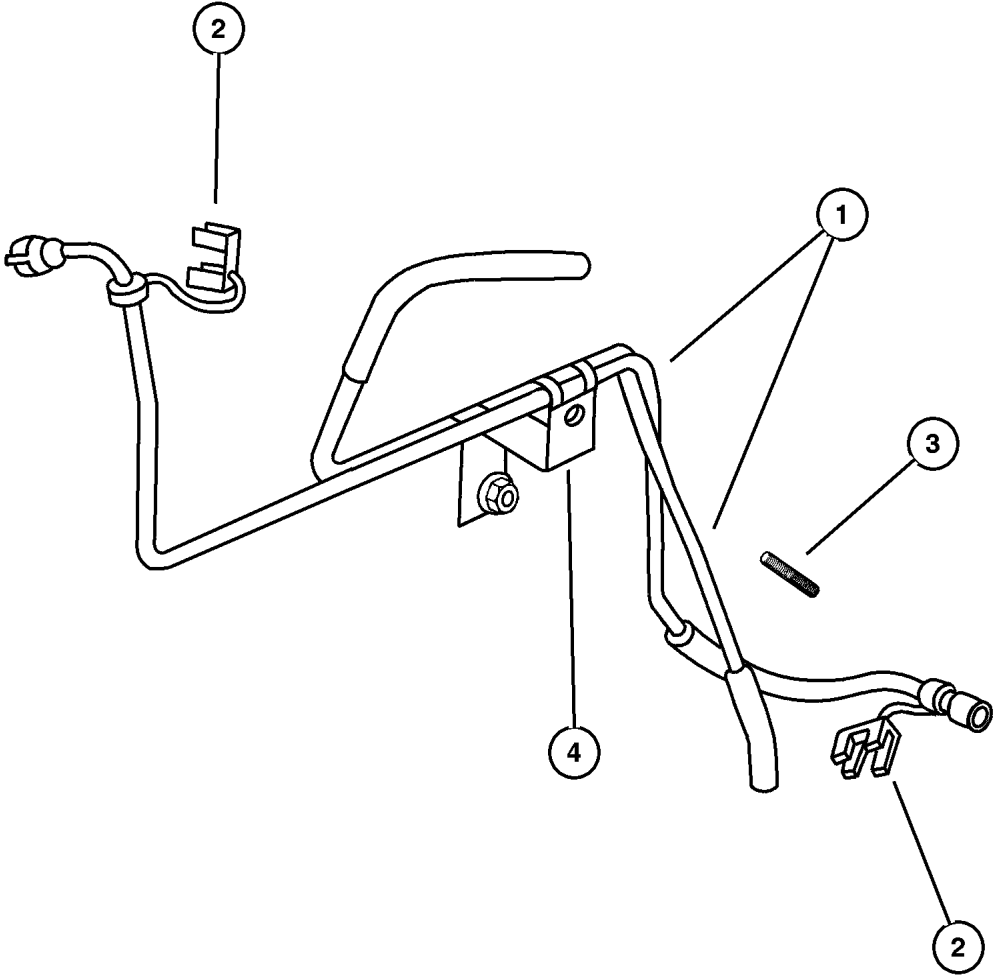
SERIES	LINE	BODY	ENGINE	TRANSMISSION
H = Sport	J = Wrangler 4WD	77 = 93.4 WB	EPE, EP0 = 2.5L Power Tech	DGG, DGD = 32RH 3 Spd. Auto.
L = SE	U = Wrangler 4WD (RHD)		ERH, ER0 = 4.0L Power Tech	DDQ = 5 Spd. Manual
P = Sahara				DDD = 5 Speed HD Manual
				DG0 = Auto. Trans.
				DBB = Manual Trans.

AR = Use as required - = Non illustrated part # = New this model year

September 16, 2005

Fuel Lines, Front, 4.0 (ERH)  
Figure 014-330

ITEM	PART NUMBER	QTY	LINE	SERIES	BODY	ENGINE	TRANS	TRIM	DESCRIPTION
Note; ERO= All 4.0 Gas Engines									
1	52100 272AH	1				ERO			BUNDLE, Fuel Line
2									CLIP, Fuel Line, Serviced in Fuel Bundle, (NOT SERVICED) (Not Serviced)
3	6505 600AA	1				ERO			STUD
4									BRACKET, (NOT SERVICED) (Not Serviced)

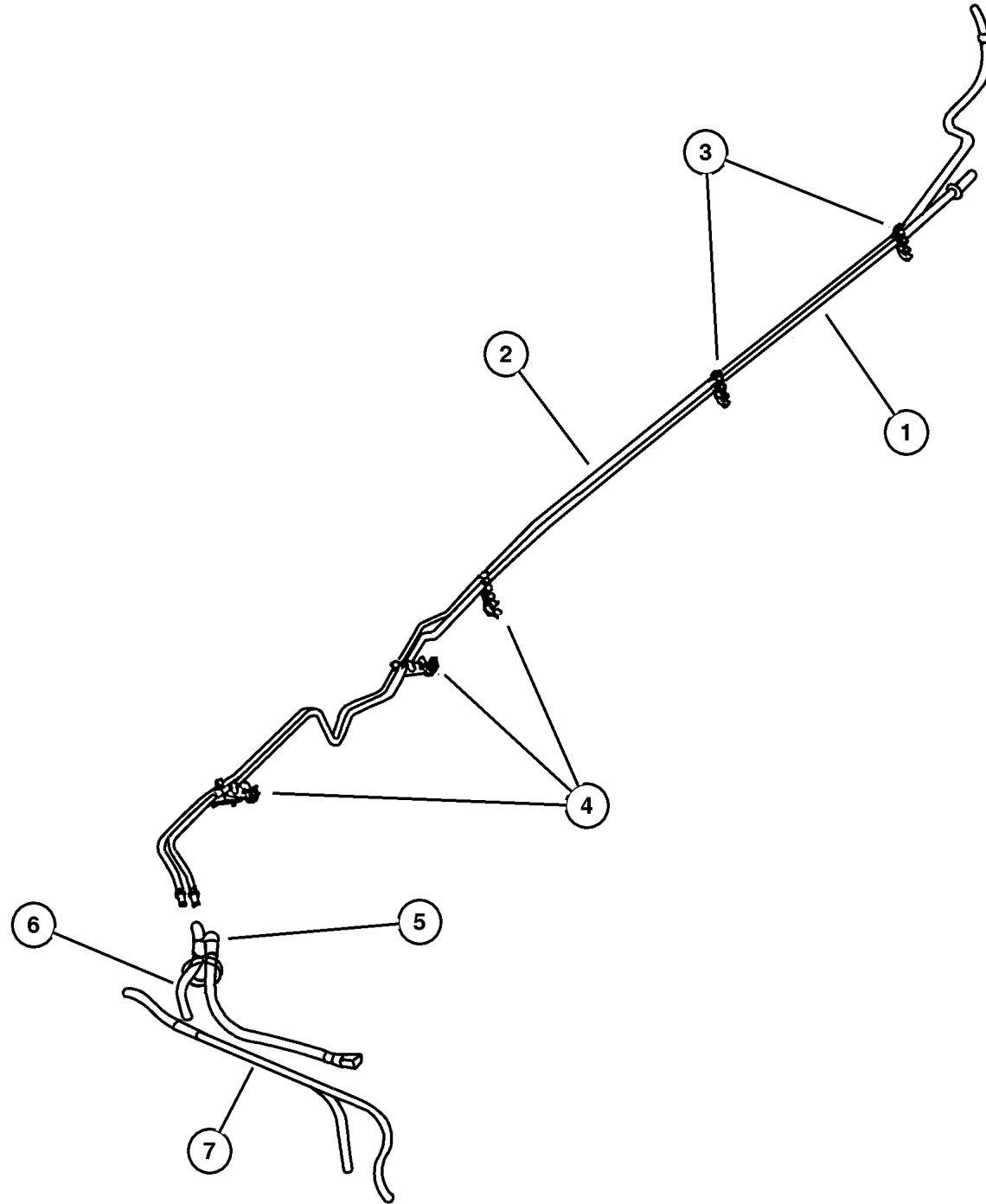


JEEP WRANGLER (TJ)			
SERIES	LINE	BODY	ENGINE
H = Sport	J = Wrangler 4WD	77 = 93.4 WB	EPE, EP0 = 2.5L Power Tech
L = SE	U = Wrangler 4WD (RHD)		ERH, ER0 = 4.0L Power Tech
P = Sahara			

TRANSMISSION
DGG, DGD = 32RH 3 Spd. Auto.
DDQ = 5 Spd. Manual
DDD = 5 Speed HD Manual
DG0 = Auto. Trans.
DBB = Manual Trans.

AR = Use as required - = Non illustrated part # = New this model year

Fuel Lines, Rear, 4.0 (ERH)  
Figure 014-340



ITEM	PART NUMBER	QTY	LINE	SERIES	BODY	ENGINE	TRANS	TRIM	DESCRIPTION
Note; EP0= All 2.5L 4 Cylinder Gas Engines ER0= All 4.0L 6 Cylinder Gas Engines									
1	5212 7502	1				EP0, ER0			TUBE, Fuel Supply
2	5212 7601	1				EP0, ER0			TUBE, Fuel Vapor
3	3420 2371	2				EP0, ER0			CLIP, Quad Tubes
4	5200 7995	3				EP0, ER0			CLIP, Five Way Fastener
5	52100 167AB	1				EP0, ER0			BUNDLE, Fuel Line, Chassis to Fuel Tank
6									HOSE, Fuel And Vapor, 25 Foot Roll 3/16", (NOT SERVICED) (Not Serviced)
7	52100 185AB	1				EP0, ER0			HOSE, Fuel Vapor

JEEP WRANGLER (TJ)			
SERIES	LINE	BODY	ENGINE
H = Sport	J = Wrangler 4WD	77 = 93.4 WB	EPE, EP0 = 2.5L Power Tech
L = SE	U = Wrangler 4WD (RHD)		ERH, ER0 = 4.0L Power Tech
P = Sahara			

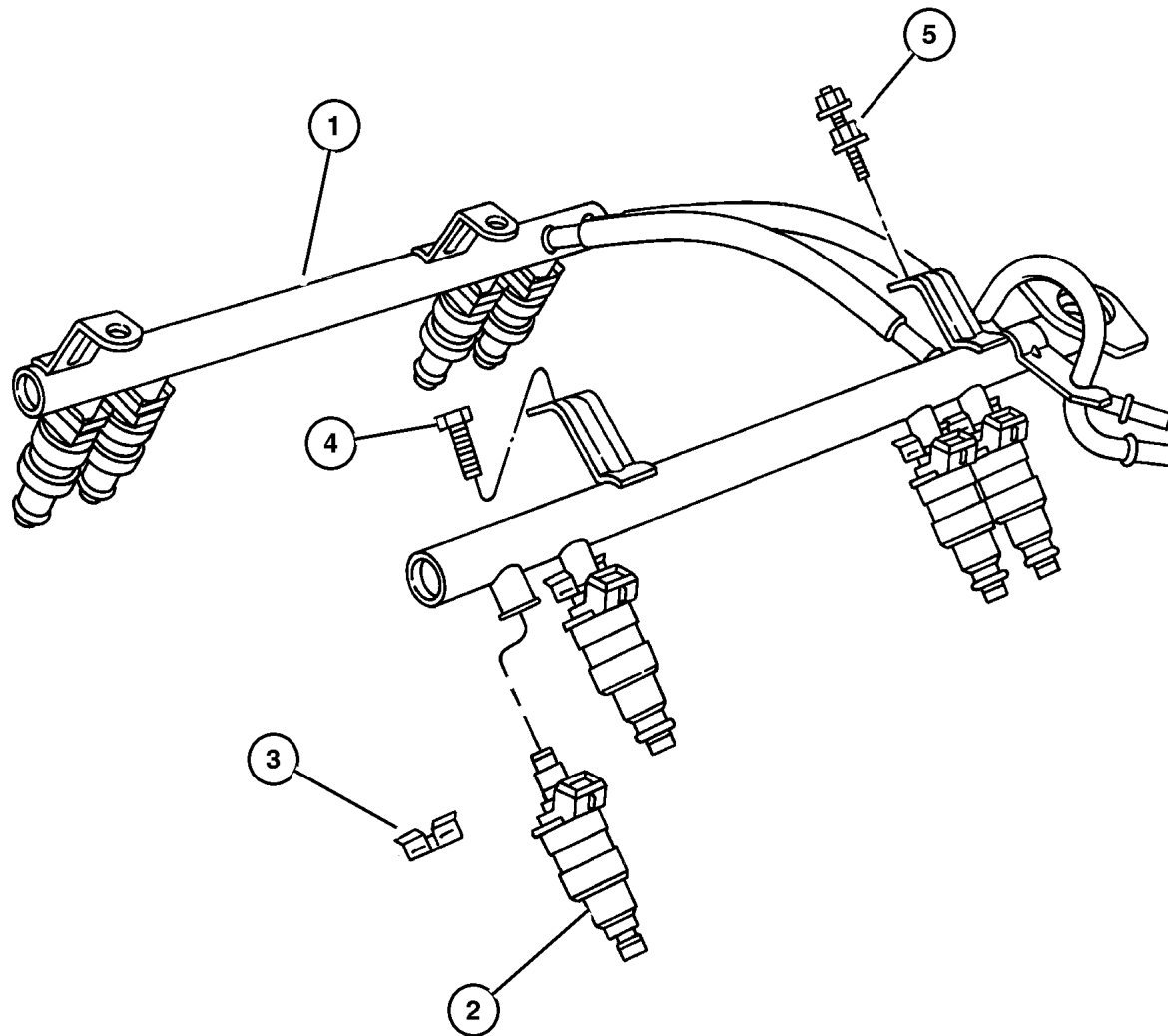
TRANSMISSION
DGG, DGD = 32RH 3 Spd. Auto.
DDQ = 5 Spd. Manual
DDD = 5 Speed HD Manual
DG0 = Auto. Trans.
DBB = Manual Trans.

AR = Use as required - = Non illustrated part # = New this model year

September 16, 2005

**Fuel Injection System, 2.5 (EPE), 4.0 (ERH)  
Figure 014-410**

ITEM	PART NUMBER	QTY	LINE	SERIES	BODY	ENGINE	TRANS	TRIM	DESCRIPTION
NOTE: EP0=All 2.5L Gas Engines ER0=All 4.0L Engines									
1	5013 157AA	1				EP0			RAIL, Fuel
	5014 496AA	1				ER0			
2									INJECTOR, Fuel
	5303 0778	4				EP0			
	4854 181	6				ER0			
3									CLIP, Fuel Injector
	4418 257AB	4				EP0			
						ER0			
4	6501 979	2				ER0			SCREW AND WASHER, Hex Head, M6x1x17
5	6502 086	2				EP0			STUD
-6	6502 647	2				ER0			STUD, M6x1.00x44
-7									CAP
	5018 781AA-	1				EP0			Diagnostic Port
		1				ER0			Diagnostic Port



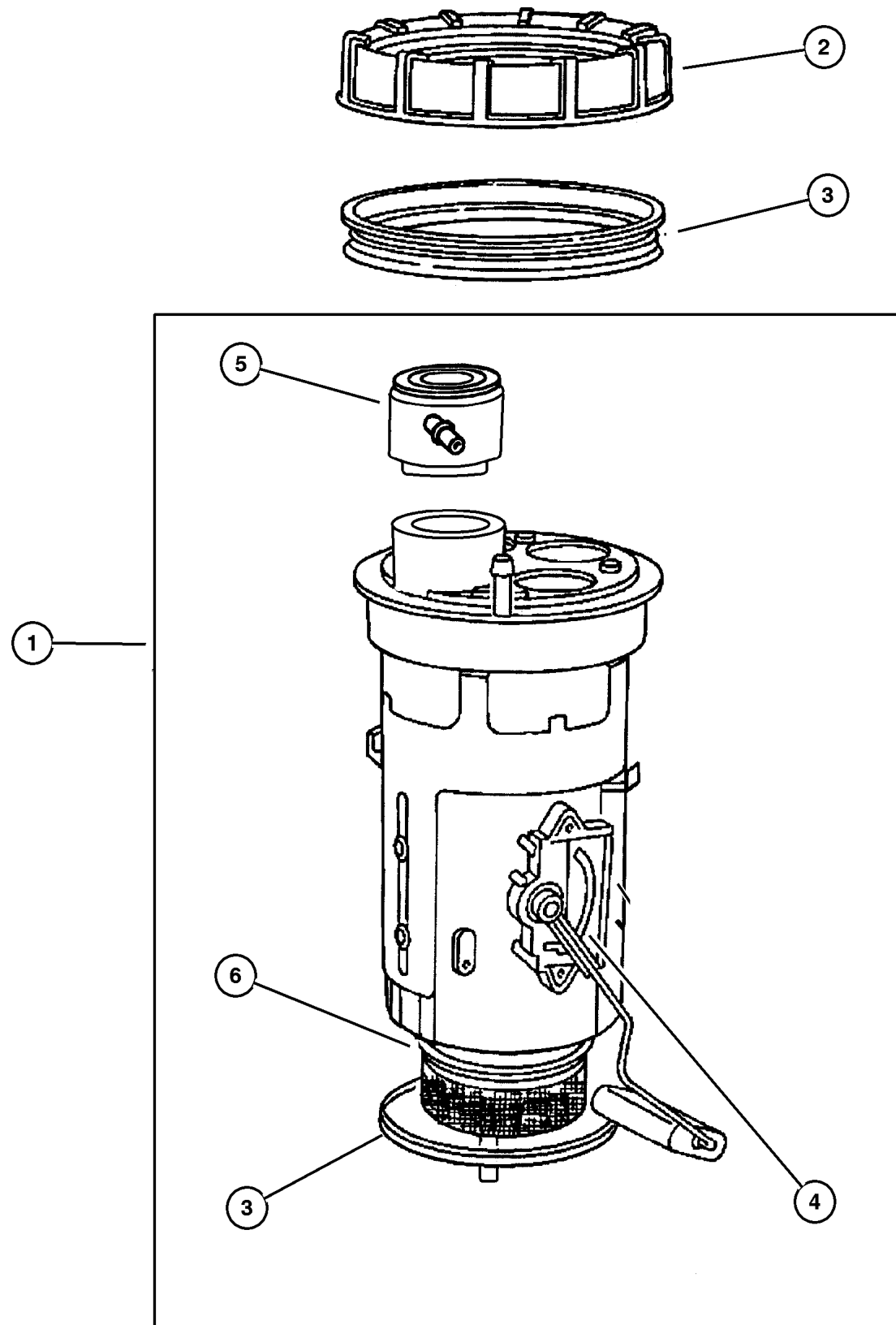
**JEEP WRANGLER (TJ)**

SERIES	LINE	BODY	ENGINE	TRANSMISSION
H = Sport	J = Wrangler 4WD	77 = 93.4 WB	EPE, EP0 = 2.5L Power Tech	DGG, DGD = 32RH 3 Spd. Auto.
L = SE	U = Wrangler 4WD (RHD)		ERH, ER0 = 4.0L Power Tech	DDQ = 5 Spd. Manual
P = Sahara				DDD = 5 Speed HD Manual
				DG0 = Auto. Trans.
				DBB = Manual Trans.

AR = Use as required - = Non illustrated part # = New this model year

September 16, 2005

Fuel Module, 2.5 (EPE), 4.0 (ERH)  
Figure 014-510



ITEM	PART NUMBER	QTY	LINE	SERIES	BODY	ENGINE	TRANS	TRIM	DESCRIPTION
NOTE: EP0=All 2.5L Gas Engines ER0=All 4.0L Engines									
1	5012 952AC	1				EP0, ER0			MODULE PACKAGE, Fuel Tank
2	5200 5389	1				EP0, ER0			NUT, Fuel Pump Module
3	5201 8808	1				EP0, ER0			SEAL, Fuel Pump and Level Unit
4	5017 909AA	1				EP0, ER0			LEVEL UNIT PACKAGE, Fuel
5	4798 301	1				EP0, ER0			FILTER, Fuel
6									FILTER, Fuel Module, Serviced in Module Assembly, (NOT SERVICED) (Not Serviced)

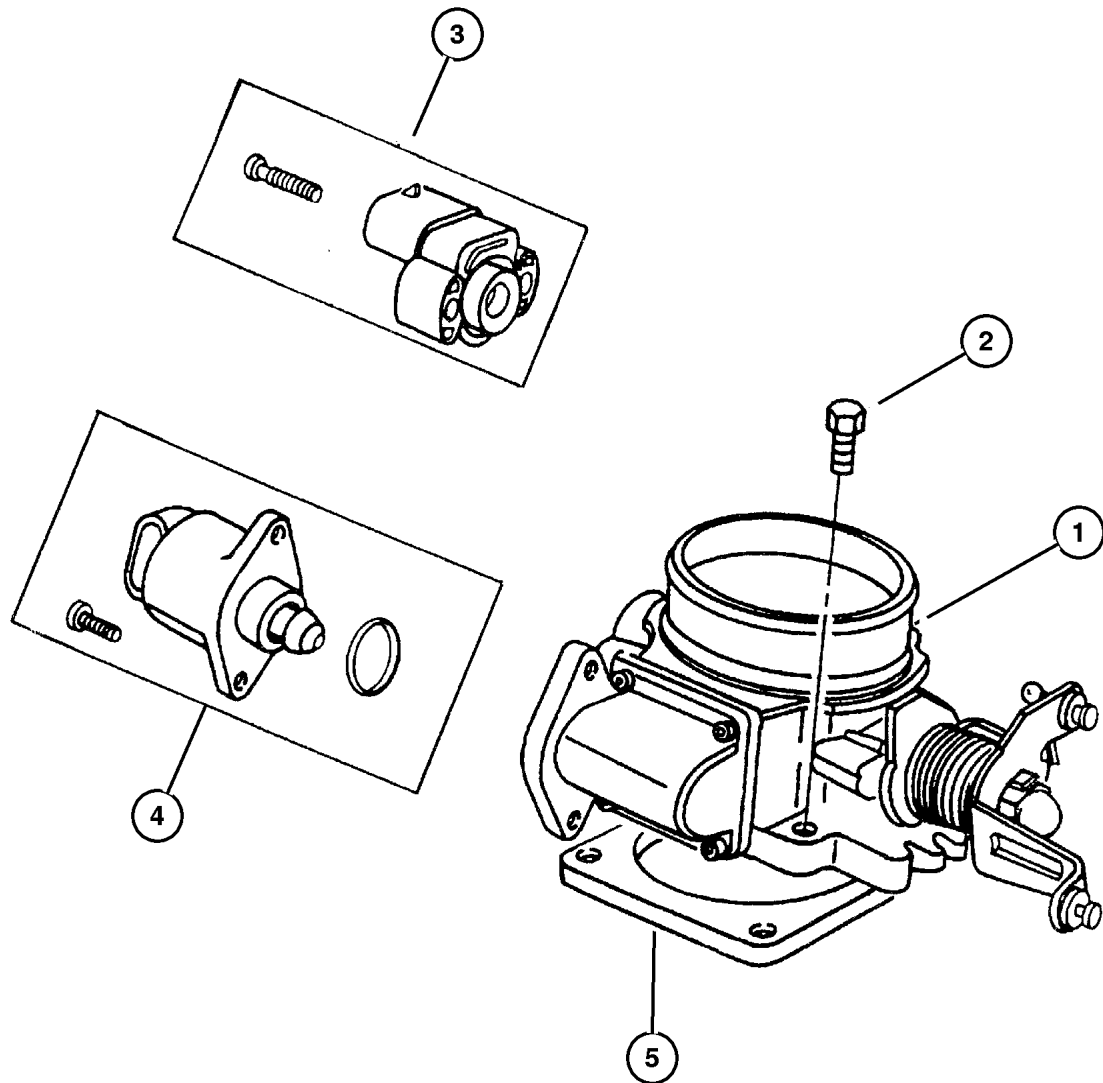
JEEP WRANGLER (TJ)			
SERIES	LINE	BODY	ENGINE
H = Sport	J = Wrangler 4WD	77 = 93.4 WB	EPE, EP0 = 2.5L Power Tech
L = SE	U = Wrangler 4WD (RHD)		ERH, ER0 = 4.0L Power Tech
P = Sahara			

TRANSMISSION
DGG, DGD = 32RH 3 Spd. Auto.
DDQ = 5 Spd. Manual
DDD = 5 Speed HD Manual
DG0 = Auto. Trans.
DBB = Manual Trans.

AR = Use as required - = Non illustrated part # = New this model year

September 16, 2005

Throttle Body, 2.5 (EPE), 4.0 (ERH)  
Figure 014-610



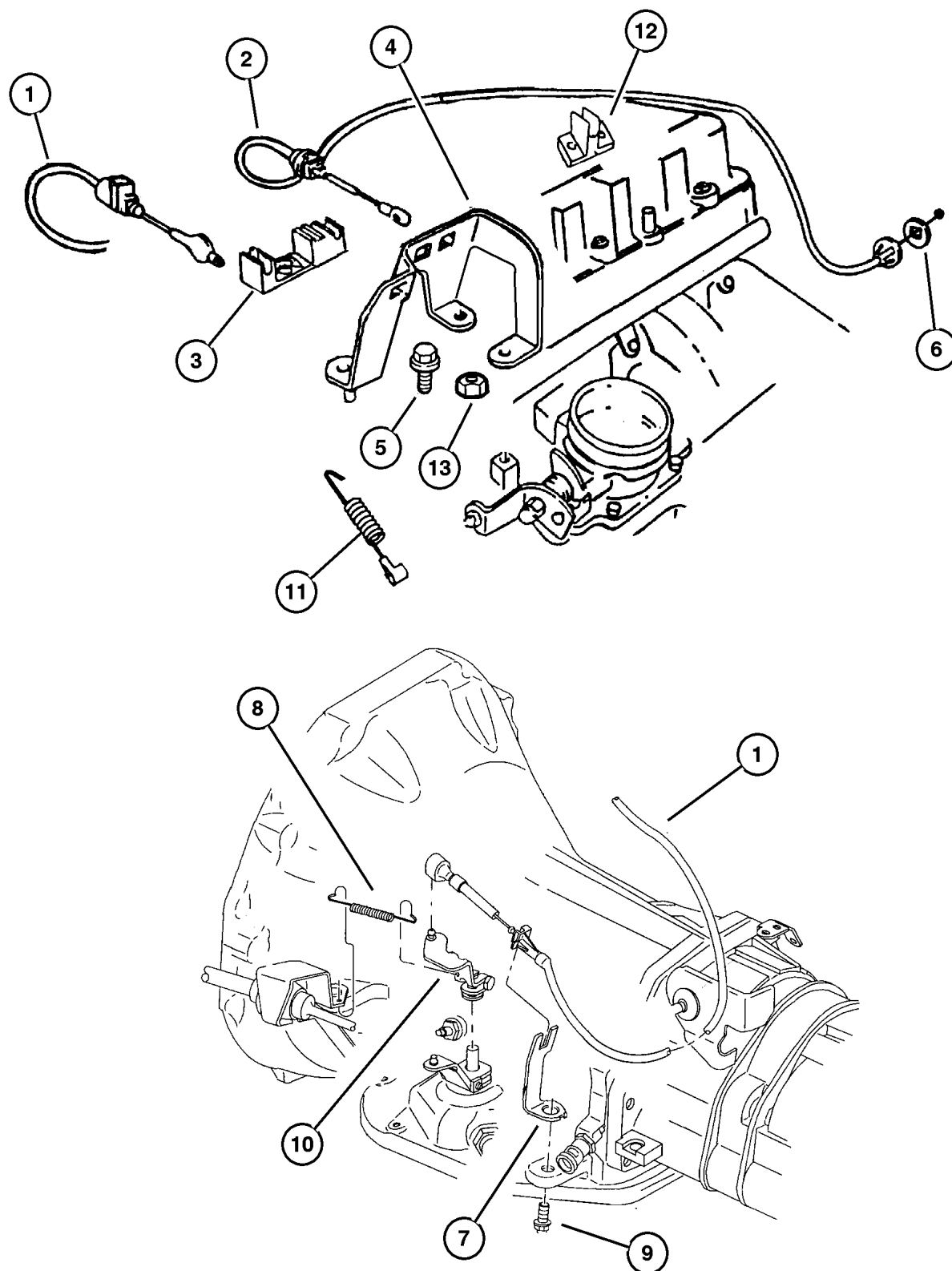
ITEM	PART NUMBER	QTY	LINE	SERIES	BODY	ENGINE	TRANS	TRIM	DESCRIPTION
NOTE: EP0=All 2.5L Gas Engines ER0=All 4.0L Engines									
1									THROTTLE BODY
	53032 016AD	1				EP0			
	53032 023AC	1				ER0			
2	6503 929	4				EP0,			SCREW AND WASHER, Coned
						ER0			Pilot, M6x1x30
3									SENSOR, Throttle Position
	4874 371AC	1				ER0			
		1				EP0			
4									MOTOR, Air Idle Speed
	4874 373AB	1				EP0			
		1				ER0			
5	5300 7543	1				EP0,			GASKET, Throttle Body
						ER0			
-6	5300 9672	1				EP0,			CONNECTOR, Emission Hose
						ER0			

JEEP WRANGLER (TJ)				TRANSMISSION
SERIES	LINE	BODY	ENGINE	
H = Sport	J = Wrangler 4WD	77 = 93.4 WB	EPE, EP0 = 2.5L Power Tech	DGG, DGD = 32RH 3 Spd. Auto.
L = SE	U = Wrangler 4WD (RHD)		ERH, ER0 = 4.0L Power Tech	DDQ = 5 Spd. Manual
P = Sahara				DDD = 5 Speed HD Manual
				DG0 = Auto. Trans.
				DBB = Manual Trans.

AR = Use as required - = Non illustrated part # = New this model year

September 16, 2005

**Throttle Controls, 2.5 (EPE), 4.0 (ERH)  
Figure 014-710**



ITEM	PART NUMBER	QTY	LINE	SERIES	BODY	ENGINE	TRANS	TRIM	DESCRIPTION
NOTE: EP0=All 2.5L Gas Engines ER0=All 4.0L Engines DBB=All Manual Transmissions DG0=All Automatic Transmissions									
1	52104 352AA	1				EP0, ER0	DG0		CABLE, Throttle Valve
2	4854 137	1							CABLE, Accelerator
3									GUIDE, Accelerator Cable
	5300 7620	1				EP0			
	5207 9029	1				ER0			
4									BRACKET, Accelerator Cable
	5300 7485	1				EP0			
	53013 160AA	1				ER0			
5									SCREW AND WASHER, Hex Head, M6x1x17
	6501 979	2				EP0			
		2				ER0			
6									PLUG, Access Hole, (NOT REQUIRED)
7	5207 8867	1				EP0, ER0	DG0		BRACKET, Cable
8	5300 9055	1				EP0, ER0	DG0		SPRING, Throttle Valve Return
9	0181 112	1				EP0, ER0	DG0		SCREW AND WASHER, .375-16x1. 00
10	52078 723AB	1				EP0, ER0	DG0		LEVER, Throttle Valve
11	52078 102AB	1				EP0, ER0	DBB		SPRING, Throttle Return
12	5207 8987	1	J			ER0			GUIDE, Accelerator Cable
13	6100 047	1				EP0			NUT AND WASHER, Hex Nut-Coned Washer, M6 x 1.00

**JEEP WRANGLER (TJ)**

SERIES	LINE	BODY	ENGINE	TRANSMISSION
H = Sport	J = Wrangler 4WD	77 = 93.4 WB	EPE, EP0 = 2.5L Power Tech	DGG, DGD = 32RH 3 Spd. Auto.
L = SE	U = Wrangler 4WD (RHD)		ERH, ER0 = 4.0L Power Tech	DDQ = 5 Spd. Manual
P = Sahara				DDD = 5 Speed HD Manual
				DG0 = Auto. Trans.
				DBB = Manual Trans.

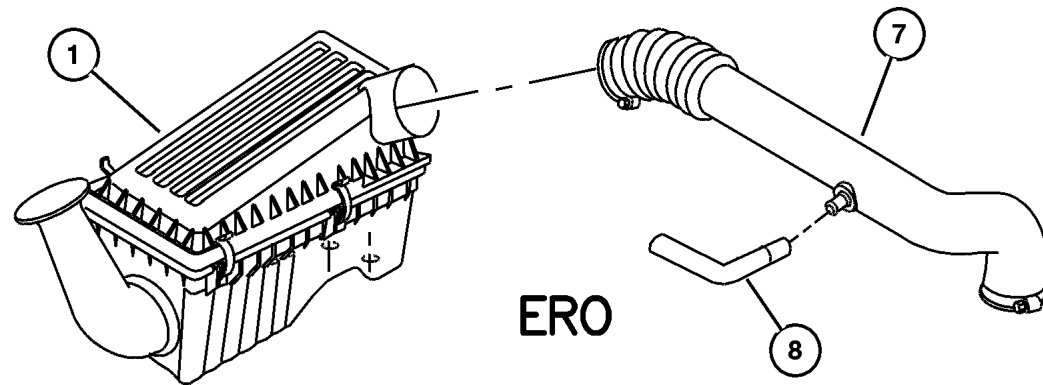
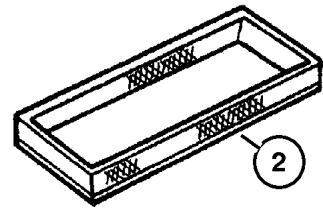
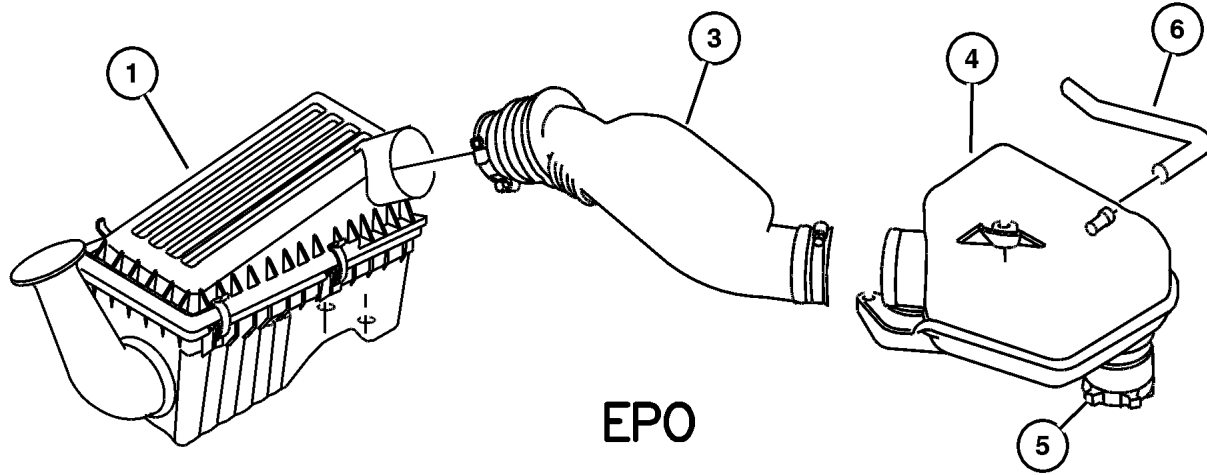
AR = Use as required - = Non illustrated part # = New this model year

September 16, 2005



**Air Cleaner, 2.5 (EPE), 4.0 (ERH)  
Figure 014-810**

ITEM	PART NUMBER	QTY	LINE	SERIES	BODY	ENGINE	TRANS	TRIM	DESCRIPTION
NOTE: EP0=All 2.5L Gas Engines ER0=All 4.0L Engines									
1	53013 650AA	1				EP0, ER0			AIR CLEANER
2	4797 777	1				EP0, ER0			FILTER, Air
3	5303 0610	1				EP0			HOSE, Air Cleaner
4	5303 0759	1				EP0			RESONATOR, Air Cleaner
5	53032 086AA	1				EP0			CLAMP
6	5303 0614	1				EP0			TUBE, Crankcase Vent Valve
7	5303 0611	1				ER0			HOSE, Air Cleaner
8	5303 0615	1				ER0			TUBE, Crankcase Vent Valve
-9	6101 444	3				EP0, ER0			NUT AND WASHER, Hex, M6x1.0, Air Cleaner Mounting Nut



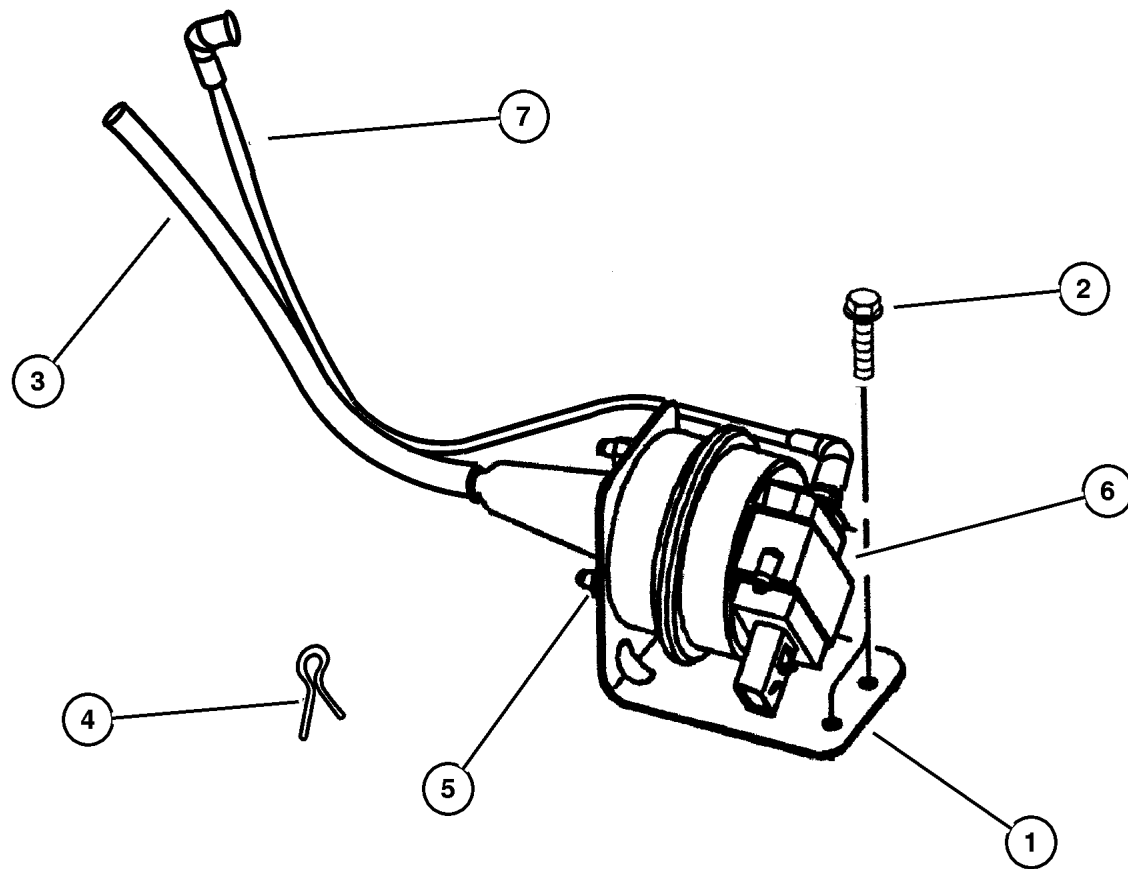
<b>JEEP WRANGLER (TJ)</b>				
SERIES	LINE	BODY	ENGINE	TRANSMISSION
H = Sport	J = Wrangler 4WD	77 = 93.4 WB	EPE, EP0 = 2.5L Power Tech	DGG, DGD = 32RH 3 Spd. Auto.
L = SE	U = Wrangler 4WD (RHD)		ERH, ER0 = 4.0L Power Tech	DDQ = 5 Spd. Manual
P = Sahara				DDD = 5 Speed HD Manual
				DG0 = Auto. Trans.
				DBB = Manual Trans.

AR = Use as required - = Non illustrated part # = New this model year

September 16, 2005

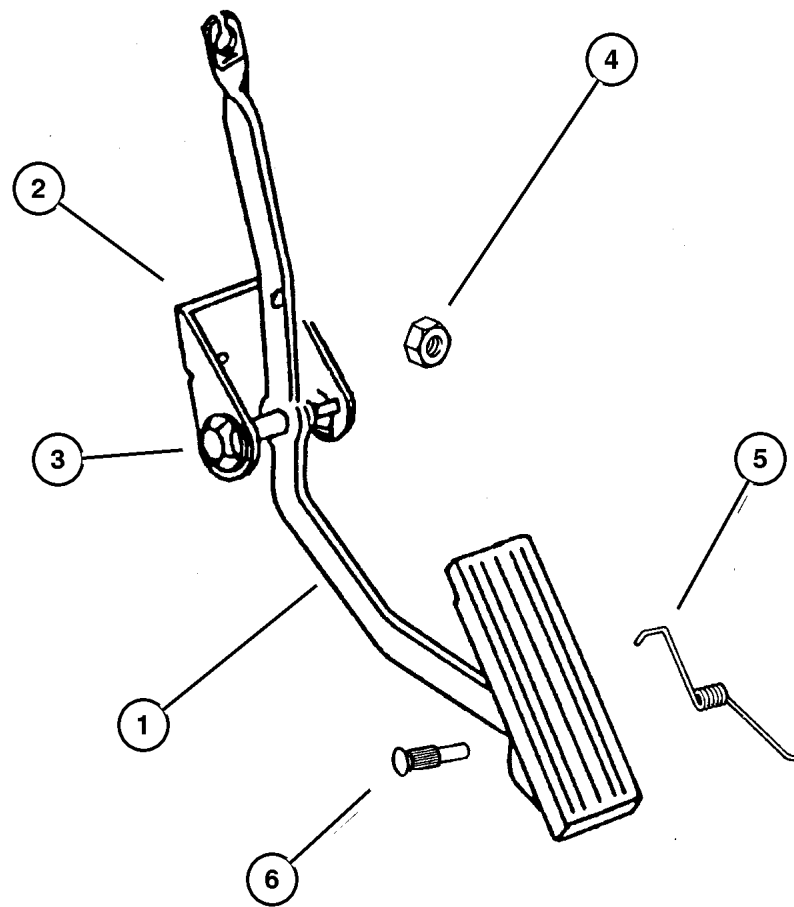
**Speed Control, 2.5 (EPE), 4.0 (ERH)  
Figure 014-1010**

ITEM	PART NUMBER	QTY	LINE	SERIES	BODY	ENGINE	TRANS	TRIM	DESCRIPTION
Note; EPO= All 2.5 Gas Engines, ERO= All 4.0 Gas Engines.									
1	4854 155	1	J						BRACKET, Speed Control Servo
	53013 058AA	1	U						
2									SCREW, M6x1.00x20.00, (NOT SERVICED) (Not Serviced)
3	4854 156	1	J						CABLE, Speed Control
	53013 059AA	1	U						
4	6025 867	1	J						CLIP, Cable to Servo Attach
		1	U						
5	6502 493	2	J						NUT, Hex Flange Serration, M6x1
		2	U						
6	4669 979	1	J						SERVO, Speed Control
7	53013 010AA	1	J						HARNESS, Speed Control Vacuum
	53013 063AA	1	U						



<b>JEEP WRANGLER (TJ)</b>				
SERIES	LINE	BODY	ENGINE	TRANSMISSION
H = Sport	J = Wrangler 4WD	77 = 93.4 WB	EPE, EP0 = 2.5L Power Tech	DGG, DGD = 32RH 3 Spd. Auto.
L = SE	U = Wrangler 4WD (RHD)		ERH, ER0 = 4.0L Power Tech	DDQ = 5 Spd. Manual
P = Sahara				DDD = 5 Speed HD Manual
				DG0 = Auto. Trans.
				DBB = Manual Trans.

**Accelerator Pedal, 2.5 (EPE), 4.0 (ERH)  
Figure 014-1110**



ITEM	PART NUMBER	QTY	LINE	SERIES	BODY	ENGINE	TRANS	TRIM	DESCRIPTION
NOTE: EP0=All 2.5L Gas Engines ER0=All 4.0L Engines									
1									PEDAL, Accelerator
	5207 8714	1	J			EP0, ER0			
	5207 8715	1	U			EP0, ER0			
2									BRACKET, Accelerator Cable, Serviced in Pedal Assembly, (NOT SERVICED) (Not Serviced)
3									BUSHING, Accelerator Pedal
	5207 8653	2	J			EP0, ER0			
		2	U			EP0, ER0			
4	3420 1680	2							NUT, Hex Flange, M6x1
5									SPRING, Torsion
	5303 0874	1	J			EP0, ER0			
		1	U			EP0, ER0			
6									PIN, Accelerator Pedal Mtg.
	5207 9019	1	J			EP0, ER0			
		1	U			EP0, ER0			

**JEEP WRANGLER (TJ)**

SERIES	LINE	BODY	ENGINE	TRANSMISSION
H = Sport	J = Wrangler 4WD	77 = 93.4 WB	EPE, EP0 = 2.5L Power Tech	DGG, DGD = 32RH 3 Spd. Auto.
L = SE	U = Wrangler 4WD (RHD)		ERH, ER0 = 4.0L Power Tech	DDQ = 5 Spd. Manual
P = Sahara				DDD = 5 Speed HD Manual
				DG0 = Auto. Trans.
				DBB = Manual Trans.

AR = Use as required - = Non illustrated part # = New this model year

September 16, 2005

# Group – 016

## Propeller Shafts and U-Joints

### GROUP 16 - Propeller Shafts and U-Joints

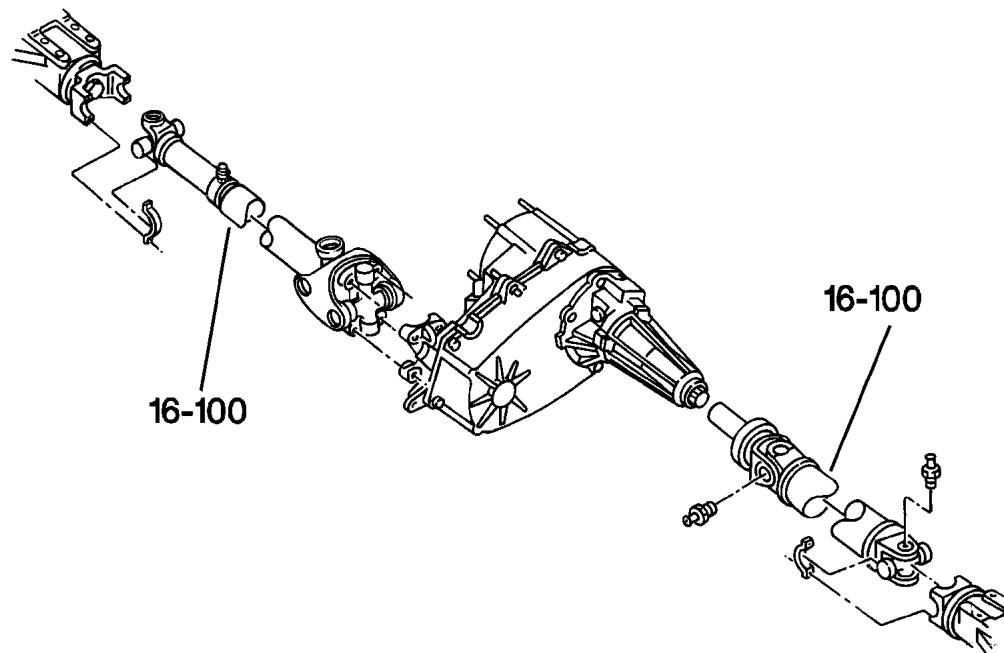
Illustration Title

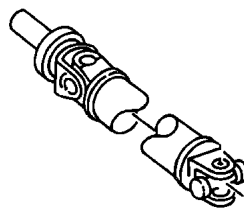
Group-Fig. No.

#### Propeller Shaft

Propshaft,Front and Rear

Fig. 016-110

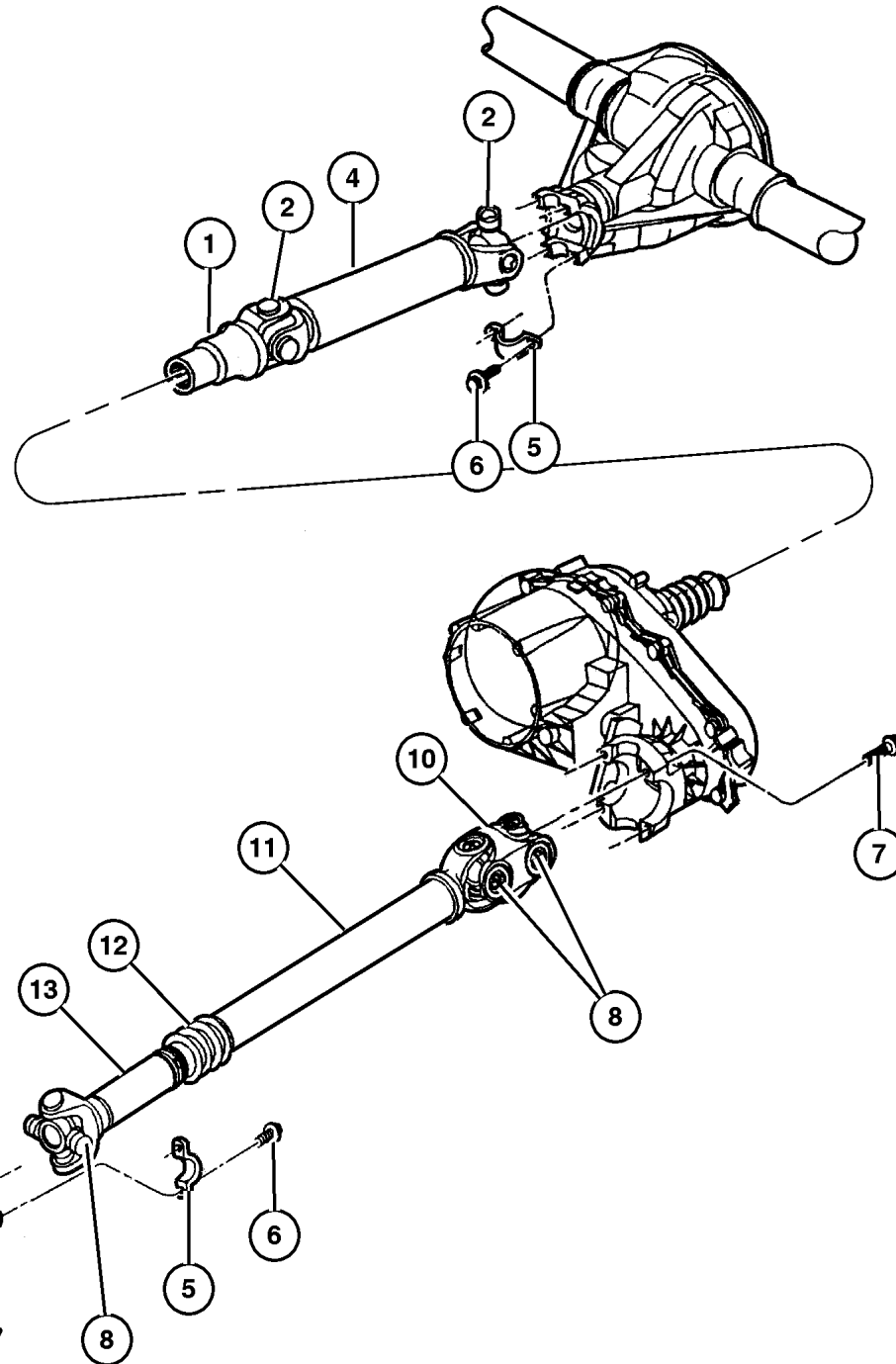


<p><b>016-100</b> Propeller Shaft</p> 			
---	--	--	--

## Propshaft, Front and Rear Figure 016-110

ITEM	PART NUMBER	QTY	LINE	SERIES	BODY	ENGINE	TRANS	TRIM	DESCRIPTION
------	-------------	-----	------	--------	------	--------	-------	------	-------------

Note: EP0=All 2.5L 4 Cylinder Gas Engines---ER0=All 4.0L 6 Cylinders Gas Engines---DBB=All Manual Transmissions---DG0=All Automatic Transmissions---DRJ=Dana 35 Rear Axle---DRK=Dana 44 Rear Axle



1	4882 714	1				EP0			YOKE, Drive Shaft [DRJ]
		1				ER0	DG0		[DRJ]
		1				ER0	DBB		[DRJ]
		1				EP0			[DRK]
		1				ER0	DG0		[DRK]
		1				ER0	DBB		[DRK]
2	4882 793	2				EP0			U JOINT [DRJ]
		2				ER0	DG0		[DRJ]
		2				ER0	DBB		[DRJ]
		2				EP0			[DRK]
		2				ER0	DG0		[DRK]
		2				ER0	DBB		[DRK]
-3	J320 7886	4				EP0			RING, U Joint [DRJ]
		4				ER0	DG0		[DRJ]
		4				ER0	DBB		[DRJ]
		4				EP0			[DRK]
		4				ER0	DG0		[DRK]
		4				ER0	DBB		[DRK]
4	52098 783AC	1				EP0			SHAFT, Drive, Rear 1-Piece [DRJ]
		1				ER0	DG0		[DRJ]
	52098 784AC	1				ER0	DBB		[DRJ]
	52098 785AC	1				EP0			[DRK]
		1				ER0	DG0		[DRK]
	52098 787AC	1				ER0	DBB		[DRK]
5	J324 0553	2							STRAP, Prop Shaft
6	J400 6928	4							BOLT
7	6036 415AA	4							BOLT
8	4882 793	3				EP0	DDQ		U JOINT
		3				EP0,	DG0		
						ER0			
		3				ER0	DBB		
-9	J320 7886	4				EP0	DDQ		RING, U Joint
		4				EP0,	DG0		
						ER0			

### JEEP WRANGLER (TJ)

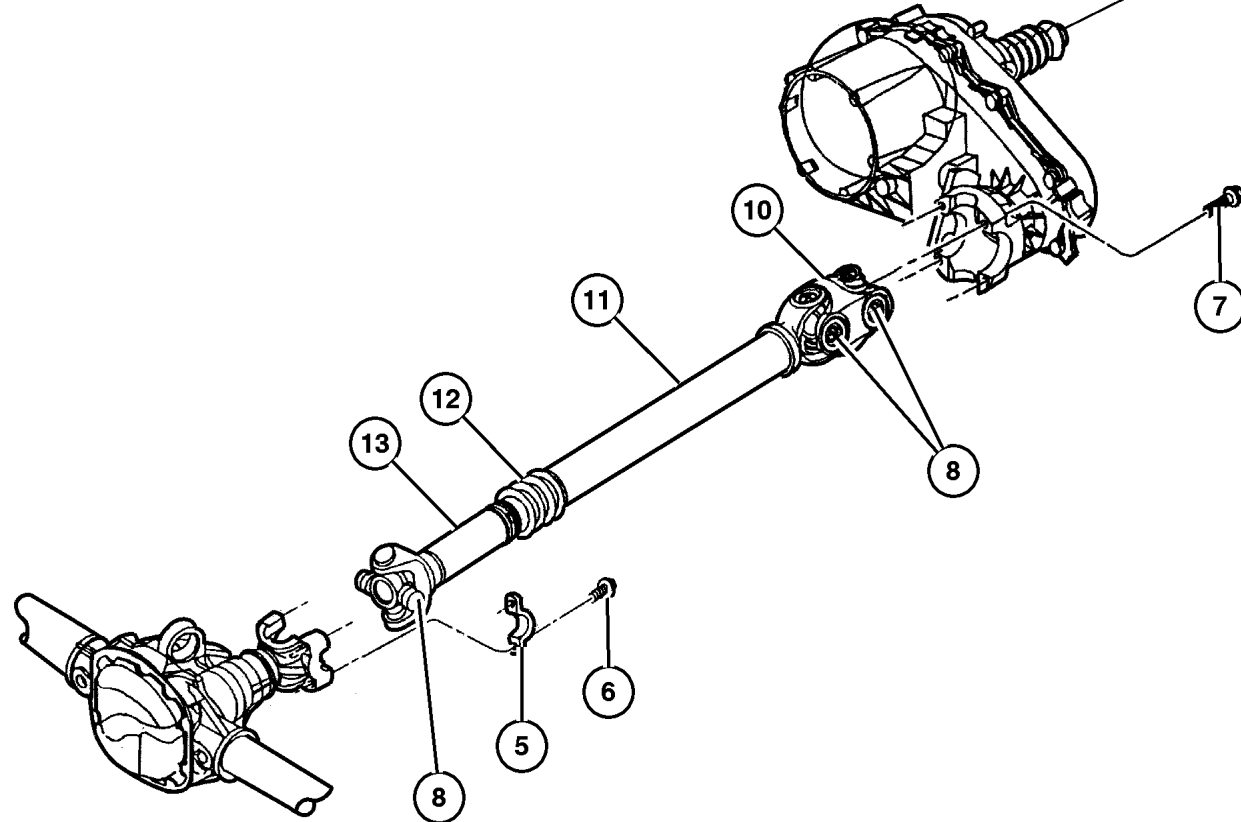
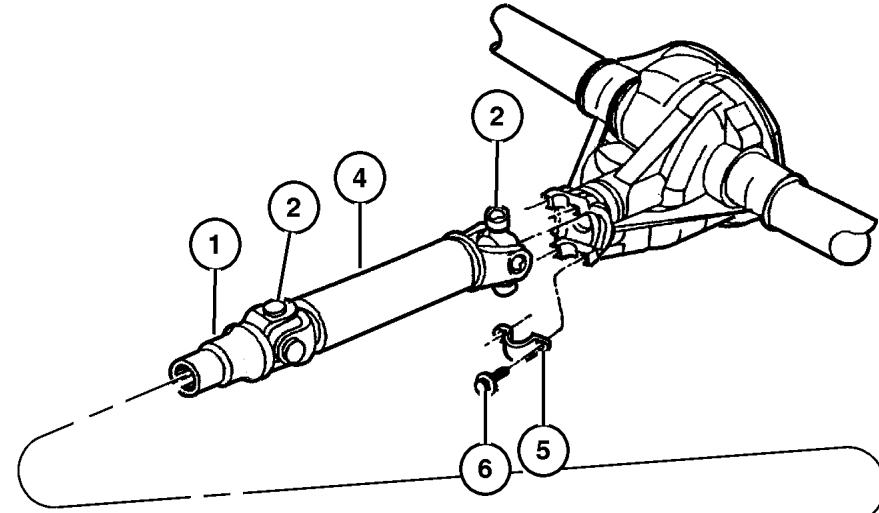
SERIES	LINE	BODY	ENGINE	TRANSMISSION
H = Sport	J = Wrangler 4WD	77 = 93.4 WB	EPE, EP0 = 2.5L Power Tech	DGG, DGD = 32RH 3 Spd. Auto.
L = SE	U = Wrangler 4WD (RHD)		ERH, ER0 = 4.0L Power Tech	DDQ = 5 Spd. Manual
P = Sahara				DDD = 5 Speed HD Manual
				DG0 = Auto. Trans.
				DBB = Manual Trans.

AR = Use as required - = Non illustrated part # = New this model year

September 16, 2005

Propshaft, Front and Rear  
Figure 016-110

ITEM	PART NUMBER	QTY	LINE	SERIES	BODY	ENGINE	TRANS	TRIM	DESCRIPTION
		4				ER0	DBB		
10	J813 0296	1				EP0	DDQ		YOKE, Drive Shaft
		1				EP0, ER0	DG0		
11	52098 378AC	1				ER0	DBB		SHAFT, Drive
		1				EP0	DDQ		Front
		1				EP0, ER0	DG0		Front
12	52098 377AD	1				ER0	DBB		Front
	5012 793AA	1				EP0	DDQ		BOOT, Driveshaft
		1				EP0, ER0	DG0		
13	5016 375AA	1				ER0	DBB		YOKE, Drive Shaft
		1				EP0	DDQ		
		1				EP0, ER0	DG0		
		1				ER0	DBB		



JEEP WRANGLER (TJ)

SERIES	LINE	BODY	ENGINE	TRANSMISSION
H = Sport	J = Wrangler 4WD	77 = 93.4 WB	EPE, EP0 = 2.5L Power Tech	DGG, DGD = 32RH 3 Spd. Auto.
L = SE	U = Wrangler 4WD (RHD)		ERH, ER0 = 4.0L Power Tech	DDQ = 5 Spd. Manual
P = Sahara				DDD = 5 Speed HD Manual
				DG0 = Auto. Trans.
				DBB = Manual Trans.

AR = Use as required - = Non illustrated part # = New this model year

September 16, 2005

# Group - 017

## Rear Suspension

### GROUP 17 - Rear Suspension

Illustration Title

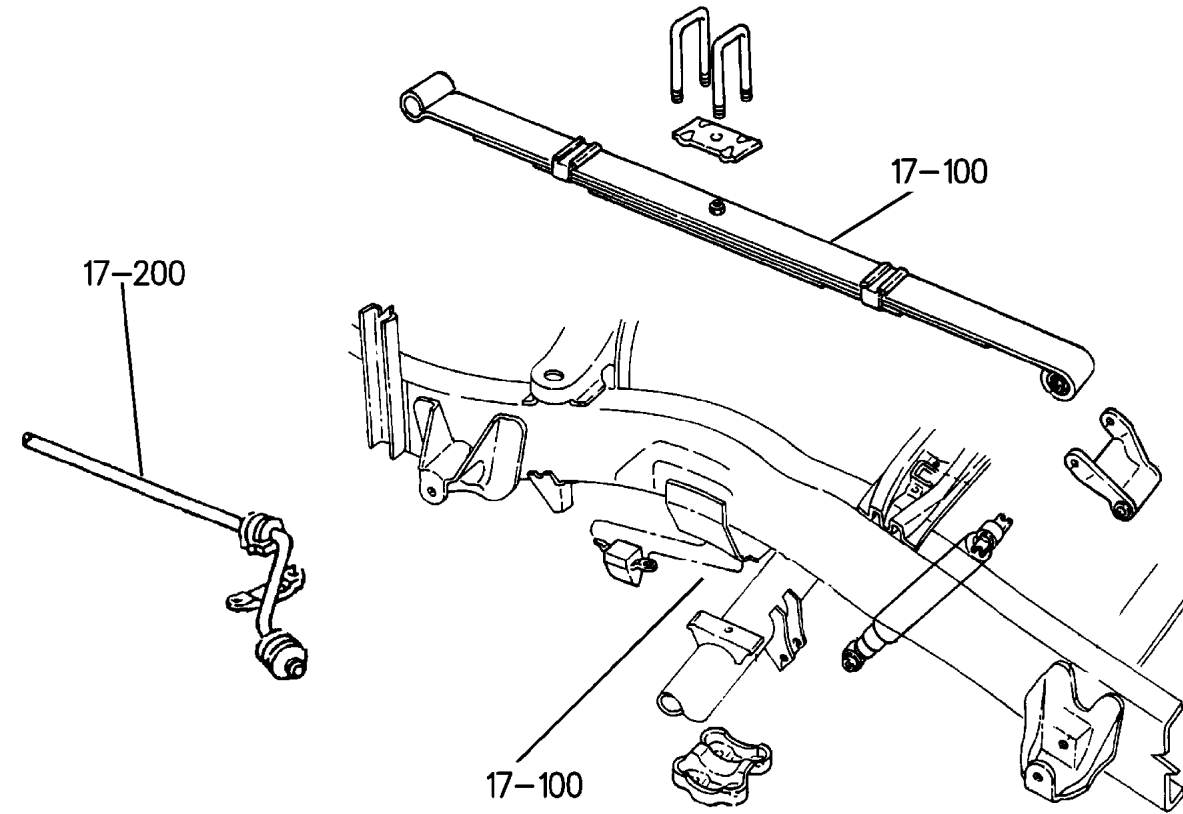
Group-Fig. No.

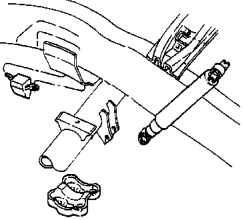
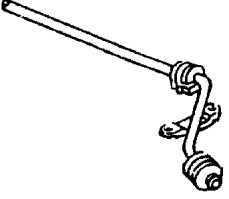
#### Rear Suspension

Suspension, Rear with Shocks, Springs and Track Bar ..... Fig. 017-110

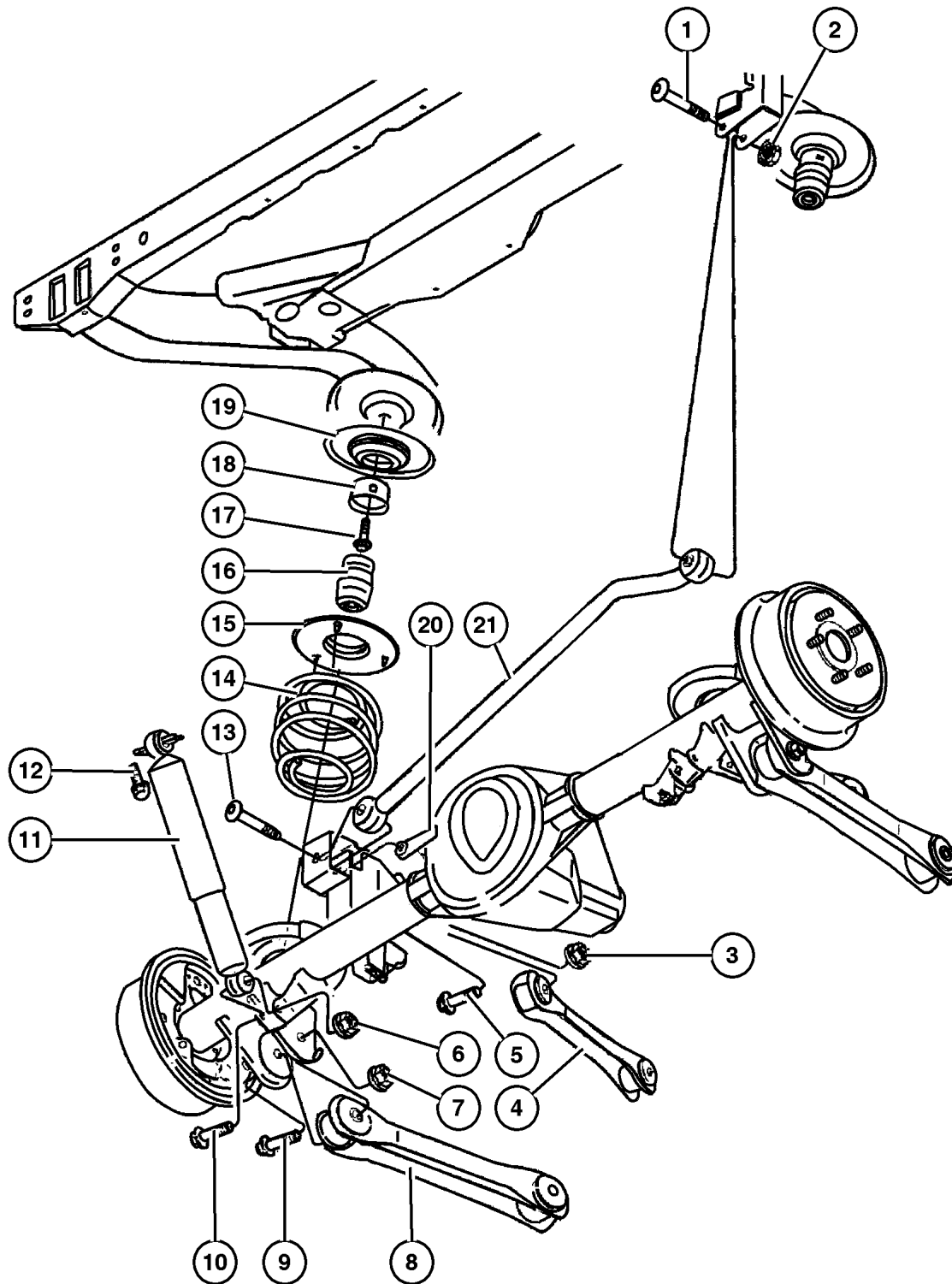
#### Rear Stabilizer

Stabilizer, Rear ..... Fig. 017-210



<p><b>017-100</b> Rear Suspension</p> 	<p><b>017-200</b> Rear Stabilizer</p> 		
---	---	--	--

## Suspension, Rear with Shocks, Springs and Track Bar Figure 017-110



ITEM	PART NUMBER	QTY	LINE	SERIES	BODY	ENGINE	TRANS	TRIM	DESCRIPTION
1	6506 147AA	1							SCREW, Hex Flange Head, M12x1.75x80, Track Bar to Frame Mounting
2	6502 697	1							NUT, Hex Flange Lock, M12x1.75, Track Bar to Frame Mounting
3	6502 696	2							NUT, Hex Flange Lock, M10x1.5, UCA to Axle Mounting
4	5208 8520	2							ARM, Control, Right & Left, Upper
5	6503 085	4							BOLT, Hex Flange Head, M10x1.50x78.20, UCA to Frame and Axle Mounting
6	6502 697	2							NUT, Hex Flange Lock, M12x1.75, Shock Mounting, Lower
7	6503 672	4							NUT, Hex, M14-2, LCA to Frame and Axle, Lower
8	5208 8654	2							ARM, Control, Rear, Right & Left, Lower
9	6506 033AA	4							BOLT, Hex Flange Head, M14x2.0x105, LCA to Frame and Axle, Lower
10	6502 473	2							BOLT, Hex Flange Head, M12x1.75x65, Shock Mounting, Lower
11									SHOCK ABSORBER, Suspension, Rear
	52087 835AB	2							[SDA]
	52088 651AI	2							[SDU]
12	3420 2467	4							SCREW, Hex Head, M8x1.25x30, Shock Mounting, Upper
13	6505 467AA	1							SCREW, Truss Head, M12x1.75x80, Track Bar to Axle
14									SPRING, Rear Coil
	5208 9102	1							[ZAT,ZNT]
	5208 9103	1							[ZAU,ZNU]
	5208 9104	1							[ZAV,ZNV]
	52090 105AA	1							[ZAW,ZNW]
15	5208 7866	2							ISOLATOR, Spring, Lower
16	5208 7992	2							BUMPER, Jounce
17	6100 402	2							BOLT, Hex Head, M10x35, Jounce Bumper Cup Mounting
18	5208 7635	2							CUP, Jounce Bumper
19	5208 7832	2							ISOLATOR, Spring, Coil Spring Rear, Upper

### JEEP WRANGLER (TJ)

SERIES	LINE	BODY	ENGINE	TRANSMISSION
H = Sport	J = Wrangler 4WD	77 = 93.4 WB	EPE, EP0 = 2.5L Power Tech	DGG, DGD = 32RH 3 Spd. Auto.
L = SE	U = Wrangler 4WD (RHD)		ERH, ER0 = 4.0L Power Tech	DDQ = 5 Spd. Manual
P = Sahara				DDD = 5 Speed HD Manual
				DG0 = Auto. Trans.
				DBB = Manual Trans.

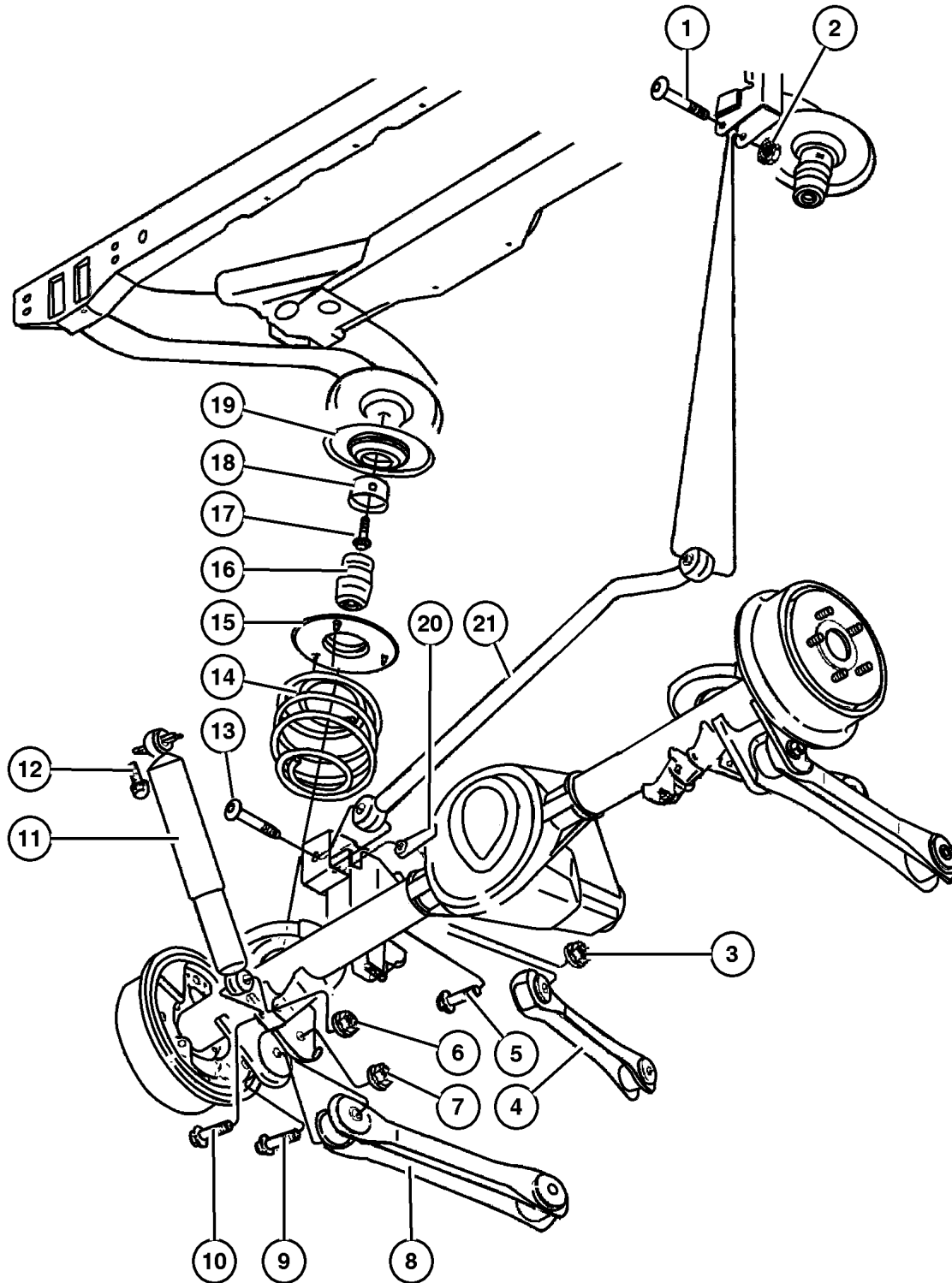
AR = Use as required - = Non illustrated part # = New this model year

September 16, 2005



Suspension, Rear with Shocks, Springs and Track Bar  
Figure 017-110

ITEM	PART NUMBER	QTY	LINE	SERIES	BODY	ENGINE	TRANS	TRIM	DESCRIPTION
20	6503 652	1	J						NUT AND RETAINER, Hex Flange Lock, m8x1.25, Track Bar to Axle
21	5208 7878	1	J						BAR, Track
	5208 8175	1	U						



**JEEP WRANGLER (TJ)**

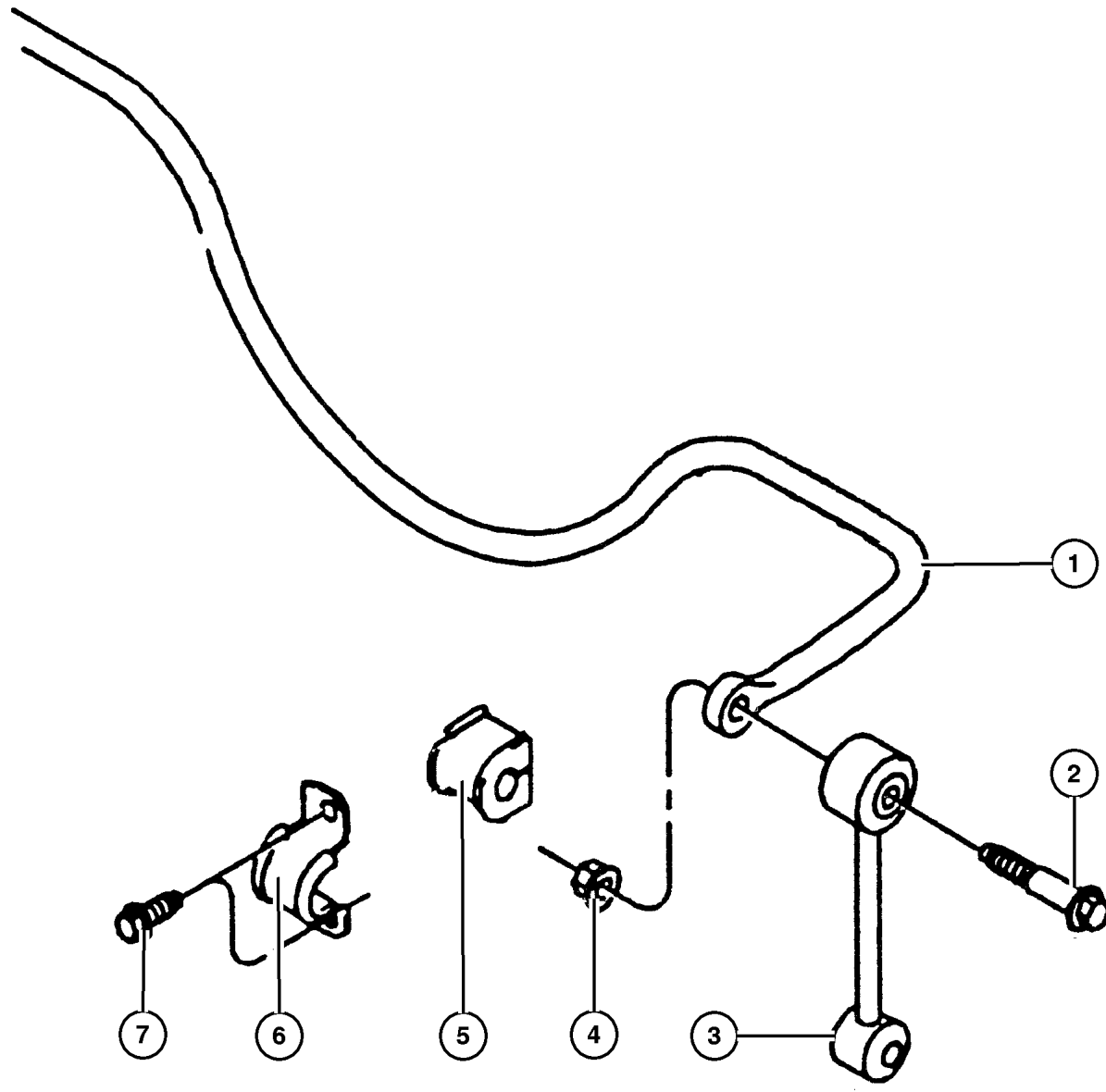
SERIES	LINE	BODY	ENGINE	TRANSMISSION
H = Sport	J = Wrangler 4WD	77 = 93.4 WB	EPE, EP0 = 2.5L Power Tech	DGG, DGD = 32RH 3 Spd. Auto.
L = SE	U = Wrangler 4WD (RHD)		ERH, ER0 = 4.0L Power Tech	DDQ = 5 Spd. Manual
P = Sahara				DDD = 5 Speed HD Manual
				DG0 = Auto. Trans.
				DBB = Manual Trans.

AR = Use as required - = Non illustrated part # = New this model year

September 16, 2005

## Stabilizer, Rear Figure 017-210

ITEM	PART NUMBER	QTY	LINE	SERIES	BODY	ENGINE	TRANS	TRIM	DESCRIPTION
1	5208 8002	1							BAR, Rear Sway
2	6503 726	2							SCREW, Shoulder, Sway Bar to Link
3	52088 896AA	2							LINK, Sway Eliminator
4	6502 696	2							NUT, Hex Flange Lock, M10x1.5, Sway Bar to Link
5	5208 8125	2							BUSHING, Sway Bar
6	5208 7865	2							RETAINER, Sway Bar
7	6503 571	4							SCREW AND WASHER, M10x1.50x35
-8	6503 726	2							SCREW, Shoulder, Sway Bar Link to Frame
-9	6503 648	2							NUT AND RETAINER, Hex Flange Lock, m8x1.25, Sway Bar Link to Frame



### JEEP WRANGLER (TJ)

SERIES	LINE	BODY	ENGINE	TRANSMISSION
H = Sport	J = Wrangler 4WD	77 = 93.4 WB	EPE, EP0 = 2.5L Power Tech	DGG, DGD = 32RH 3 Spd. Auto.
L = SE	U = Wrangler 4WD (RHD)		ERH, ER0 = 4.0L Power Tech	DDQ = 5 Spd. Manual
P = Sahara				DDD = 5 Speed HD Manual
				DG0 = Auto. Trans.
				DBB = Manual Trans.

AR = Use as required - = Non illustrated part # = New this model year

September 16, 2005

# Group – 019

## Steering

### GROUP 19 - Steering

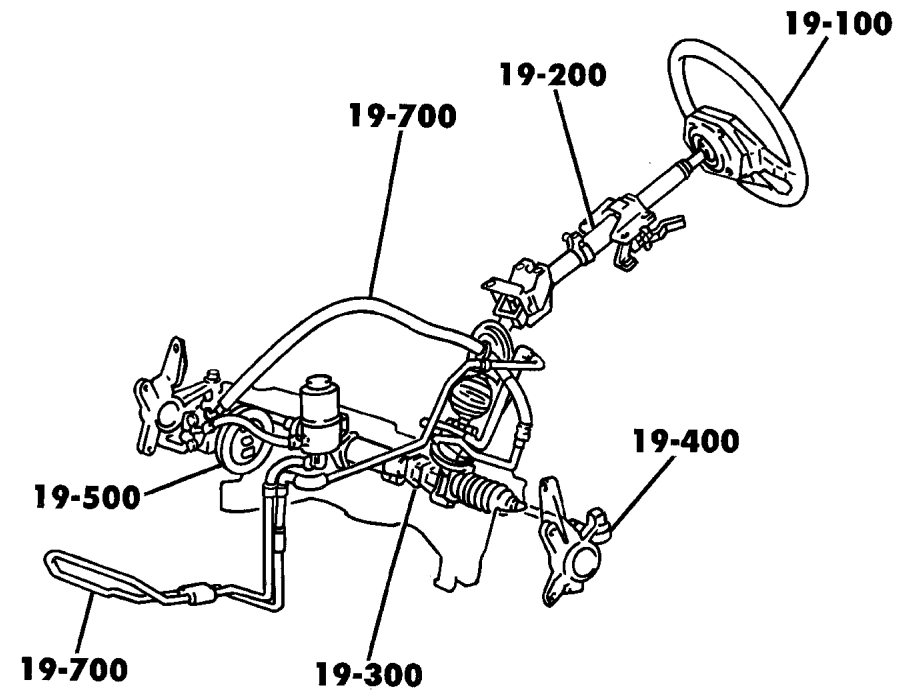


Illustration Title

Group-Fig. No.

#### Steering Wheel

Wheel, Steering ..... Fig. 019-110

#### Steering Column

Column, Steering Upper and Lower ..... Fig. 019-210

#### Steering Gear

Gear, Power Steering ..... Fig. 019-310

#### Steering Linkage

Linkage and Damper ..... Fig. 019-410


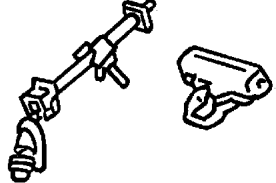
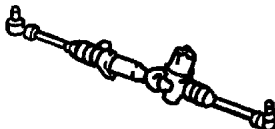
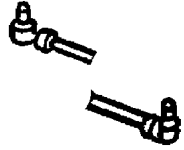
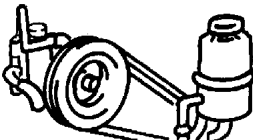

#### Power Steering Pump

Pump, Power Steering ..... Fig. 019-510

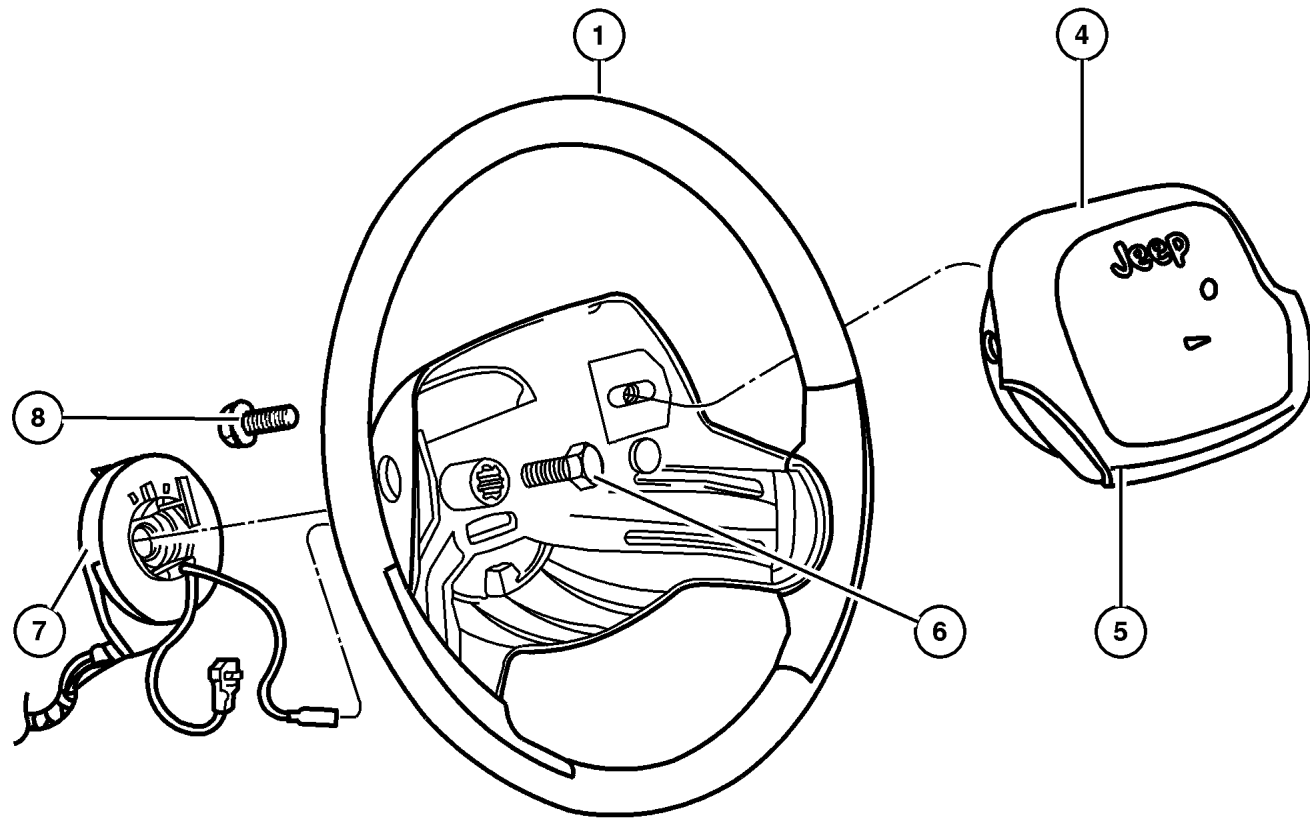
#### Power Steering Hoses

Hoses and Reservoir, 2.5L Engine ..... Fig. 019-710

Hoses and Reservoir, 4.0L Engine ..... Fig. 019-720

<p><b>019-100</b> Steering Wheel</p> 	<p><b>019-200</b> Steering Column</p> 	<p><b>019-300</b> Steering Gear</p> 	<p><b>019-400</b> Steering Linkage</p> 
<p><b>019-500</b> Power Steering Pump</p> 	<p><b>019-700</b> Power Steering Hoses</p> 		

# Wheel, Steering Figure 019-110



ITEM	PART NUMBER	QTY	LINE	SERIES	BODY	ENGINE	TRANS	TRIM	DESCRIPTION
Note: If Horn Switch is defective, you must replace the AIR BAG COVER WITH SWITCH and not the AIR BAG MODULE ASSEMBLY itself.									
Note: SCE=Steering Wheel-2-Spoke Soft---SCG=Steering Wheel-Leather Wrapped---NHM= Speed Control									
1	5GK43 1AZAB	1							WHEEL, Steering [SCE]
	5GL44 1AZAB	1							[SCG]
	5DY22 LAZAC	1							[SCG,NHM]
-2	5GK16 DX9AB-	1							BEZEL, Steering Wheel without [NHM], Right
	5GK17 DX9AB-	1							without [NHM], Left
-3	56007 530AD-	1	J	H, L, P		EPE, ERH			SWITCH, Speed Control [NHM], Right
	56007 531AD-	1	J	H, L, P		EPE, ERH			[NHM], Left
4	5GC51 LAZAG	1							AIR BAG, Driver
5	5073 556AA	1							COVER, Air Bag Module, Includes Horn Switch
6	6505 656AA	1							SCREW, Hex Flange Head, M10x1.5x35., Steering Wheel, Mounting
7	56047 103AB	1							CLOCKSPRING [NHM]
	56047 105AB	1							[NHM]
8	6503 262	2							SCREW, Hex Flange Head, M6x1.00x20.00, Air Bag, Mounting
-9	5600 9437	1							WIRING, Steering Wheel, [NHM]
-10	55314 966AB-	1							LABEL, Airbag, [ABB]

### JEEP WRANGLER (TJ)

SERIES  
H = Sport  
L = SE  
P = Sahara

LINE  
J = Wrangler 4WD  
U = Wrangler 4WD (RHD)

BODY  
77 = 93.4 WB

ENGINE  
EPE, EP0 = 2.5L Power Tech  
ERH, ER0 = 4.0L Power Tech

TRANSMISSION  
DGG, DGD = 32RH 3 Spd. Auto.  
DDQ = 5 Spd. Manual  
DDD = 5 Speed HD Manual  
DG0 = Auto. Trans.  
DBB = Manual Trans.

## Column, Steering Upper and Lower Figure 019-210

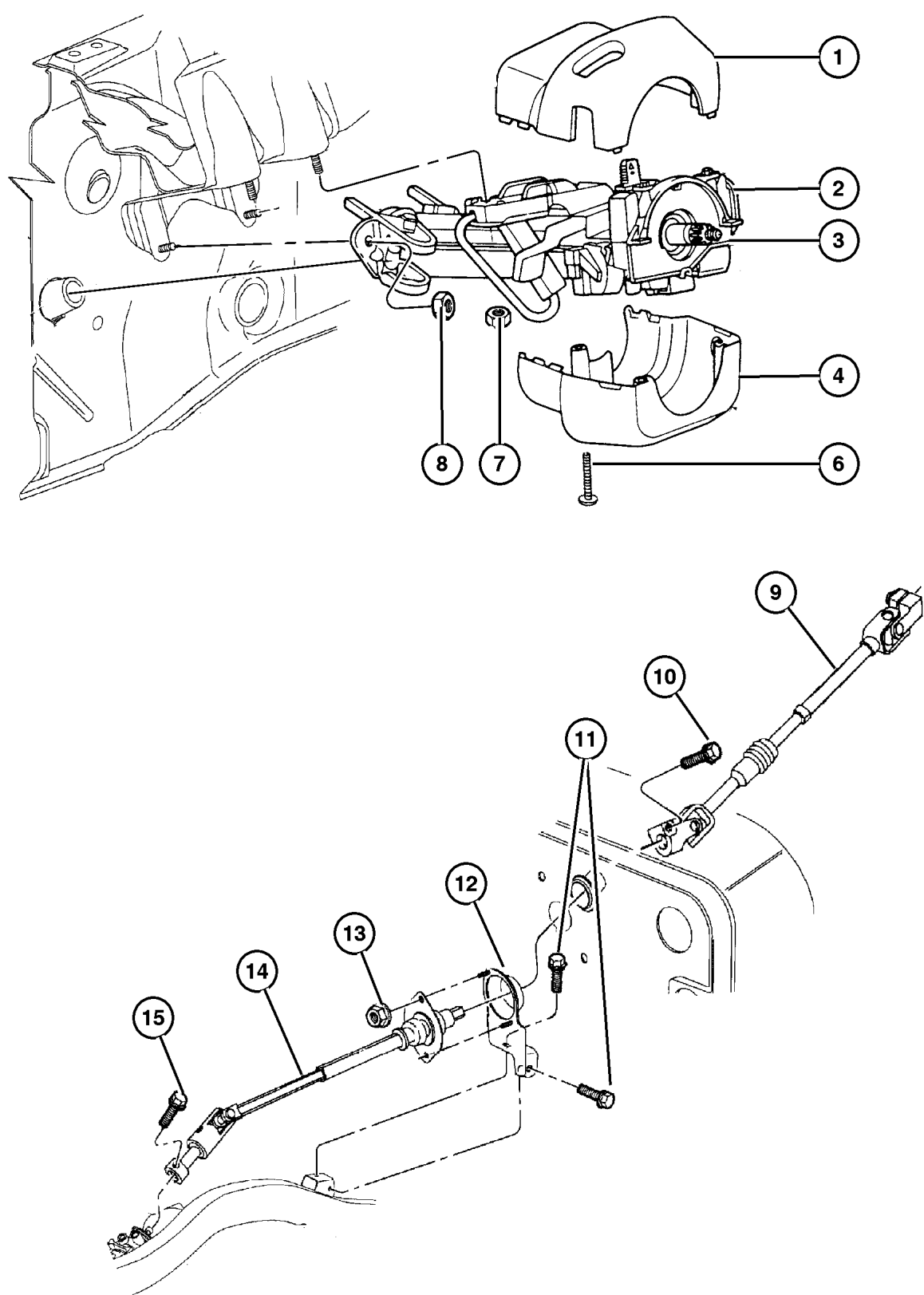
ITEM	PART NUMBER	QTY	LINE	SERIES	BODY	ENGINE	TRANS	TRIM	DESCRIPTION
NOTE: DG0=All Automatic Transmissions---DBB=All Manual Transmissions---EP0= All 2.5L 4 Cylinder Gas Engines---ER0=All 4.0L 6 Cylinder Gas Engines---ABB =European Equipment Group---SAA=Manual Steering---SBA=Power Steering									
1	5GN31 LAZAA	1					DBB		SHROUD, Steering Column, Upper
		1					DG0		
2	55314 995AA	1					DG0		COLUMN, Steering, Tilt
	55314 996AA	1					DBB		[-ABB]
	55314 997AA	1					DBB		[+ABB]
	55314 998AA	1					DG0		[+ABB]
3	55314 993AA	1					DBB		COLUMN, steering, non tilt
	55314 994AA	1					DG0		
4	5GN30 LAZAA	1					DBB		SHROUD, Steering Column, Lower
	5GN36 LAZAA	1					DG0		
-5	55314 965AB-	1					DG0		TRIM RING, Ignition Key Cylinder
6	6035 434	3							SCREW AND WASHER, Pan Head, Upper Shroud to Lower Shroud Mounting
7	6501 279	2							NUT, Hex Flange Lock, M8x1.25, Mounting Stud, Upper
8	6505 245AA	2							NUT, M8x1.25, Mounting Stud, Lower
9	55315 014AA	1							SHAFT, Intermediate, Upper
10	6504 926AA	3							SCREW, Hex Flange Head, M10x1.5x40, Upper Intermediate Shaft to Lower Intermediate shaft
11	6504 153	2							SCREW AND WASHER, Hex Head, M10x1.5x35, Intermediate Shaft Bracket to Frame
12	5205 8841	1	J			ER0			BRACKET, Intermediate Shaft
	5205 8854	1	U			ER0			
	5205 8855	1	J			EP0			
	52058 856AB	1	U			EP0			
13	6100 516	2							NUT, Hex Flange Lock, M6 Phosphate, Intermediate Shaft Bracket Attaching
14	5207 8804	1							SHAFT, Intermediate [SAA], Lower
	52078 705AC	1							[SBA], Lower

**JEEP WRANGLER (TJ)**

SERIES	LINE	BODY	ENGINE	TRANSMISSION
H = Sport	J = Wrangler 4WD	77 = 93.4 WB	EPE, EP0 = 2.5L Power Tech	DGG, DGD = 32RH 3 Spd. Auto.
L = SE	U = Wrangler 4WD (RHD)		ERH, ER0 = 4.0L Power Tech	DDQ = 5 Spd. Manual
P = Sahara				DDD = 5 Speed HD Manual
				DG0 = Auto. Trans.
				DBB = Manual Trans.

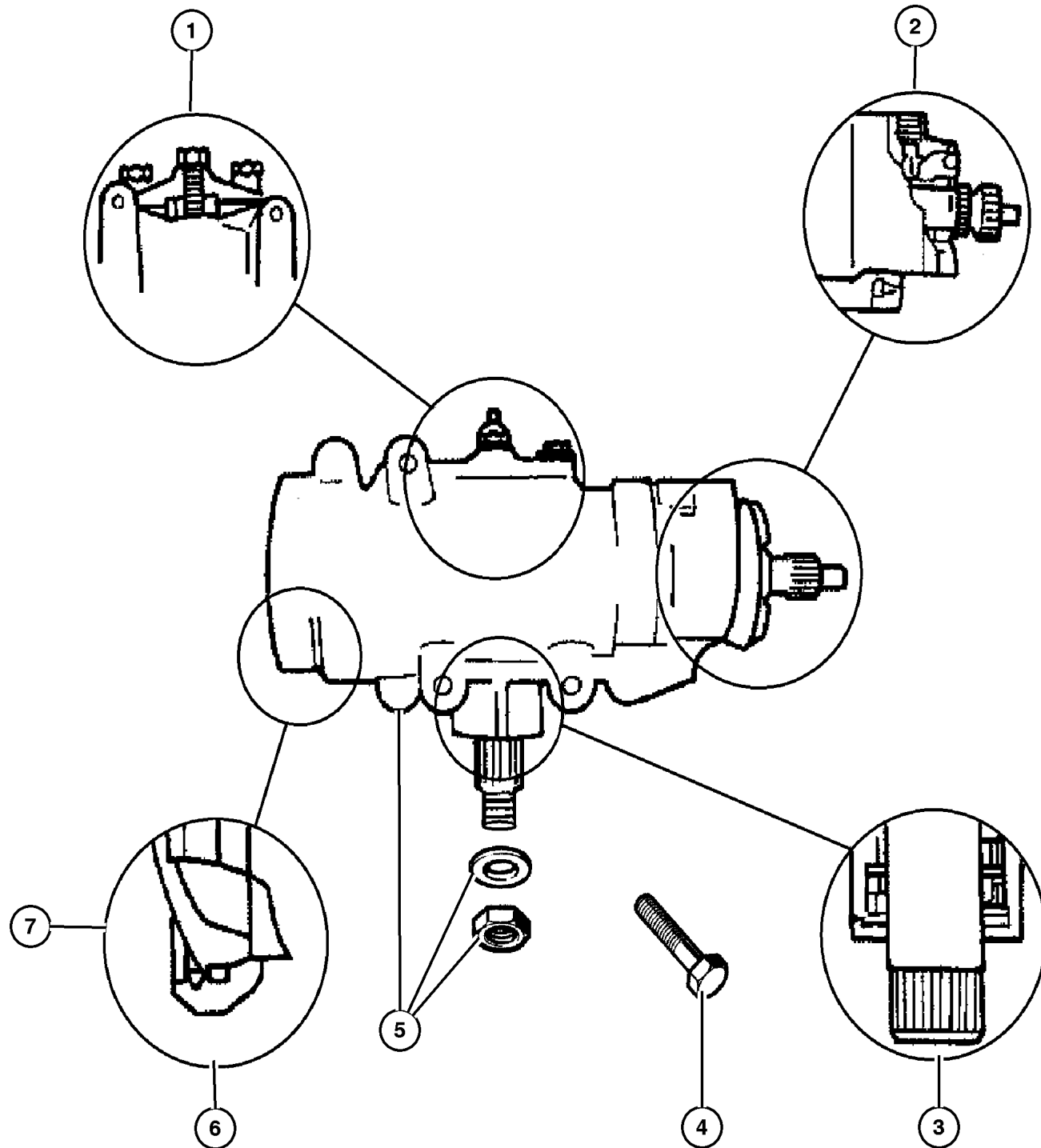
AR = Use as required - = Non illustrated part # = New this model year

September 16, 2005





## Gear, Power Steering Figure 019-310



ITEM	PART NUMBER	QTY	LINE	SERIES	BODY	ENGINE	TRANS	TRIM	DESCRIPTION
Note: J=4 Wheel Drive Left Hand Drive---U=4 Wheel Drive Right Hand Drive									
1	3893 558	1	J						SEAL, Steering Gear Cover
		1	U						
2	4897 000AA	1	J						REPAIR KIT, Thrust Bearing, Steering Gear
		1	U						
3	4470 365	1	J						SEAL KIT, Steering gear pitman shaft
		1	U						
4	6036 332AA	3							SCREW AND WASHER, Gear Mounting
5	52089 046AC	1	J						GEAR, Power Steering
	52089 079AC	1	U						
6	3893 557	1	J						SEAL KIT, Steering gear end plug
		1	U						
7	4886 349AA	1	U						SEAL KIT, Steering gear adjuster plug

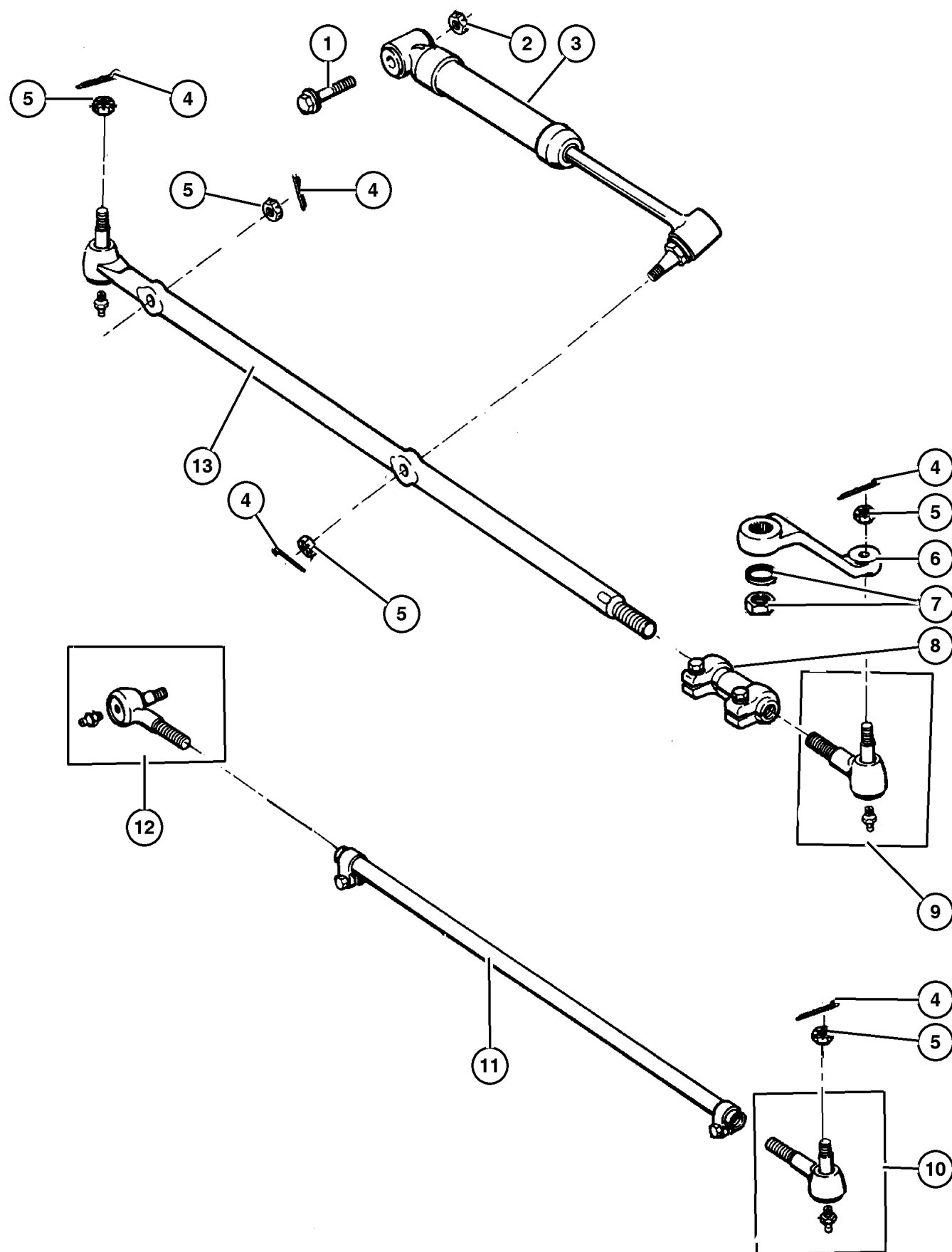
### JEEP WRANGLER (TJ)

SERIES	LINE	BODY	ENGINE	TRANSMISSION
H = Sport	J = Wrangler 4WD	77 = 93.4 WB	EPE, EP0 = 2.5L Power Tech	DGG, DGD = 32RH 3 Spd. Auto.
L = SE	U = Wrangler 4WD (RHD)		ERH, ER0 = 4.0L Power Tech	DDQ = 5 Spd. Manual
P = Sahara				DDD = 5 Speed HD Manual
				DG0 = Auto. Trans.
				DBB = Manual Trans.

AR = Use as required - = Non illustrated part # = New this model year

September 16, 2005

## Linkage and Damper Figure 019-410



ITEM	PART NUMBER	QTY	LINE	SERIES	BODY	ENGINE	TRANS	TRIM	DESCRIPTION
Note: J=4 Wheel Drive Left Hand Drive---U=4 Wheel Drive Right Hand Drive									
1	6502 473	1							BOLT, Hex Flange Head, M12x1.75x65, Steering Damper to Axle Bracket
2	6502 697	1							NUT, Hex Flange Lock, M12x1.75, Steering Damper to Axle Bracket
3	52087 827AB	1	J						DAMPER, Steering Linkage
	52087 956AB	1	U						
4									PIN, Cotter, (NOT SERVICED) (Not Serviced)
5	6034 358	1							NUT, Hex, .50-20 Tie Rod to Knuckle
		1							Damper Stud to Drag Link
		1							Drag Link to Pitman Arm
		1							Tie Rod to Drag Link
		1							Drag Link to Knuckle
6	5203 8337	1	J						ARM, Pitman
	5203 8338	1	U						
7									NUT AND WASHER, Must Purchase Gear Box Assembly, (NOT SERVICED) (Not Serviced)
8	5203 7536	1	J						TUBE, Tie Rod Drag Link Adjuster
	5200 5742	1	U						
9	5200 5739	1	J						SOCKET Drag Link, Inner
		1	U						
10	5200 5741	1	J						SOCKET, Tie Rod, Outer
		1	U						
11	5208 7674	1	J						TUBE, Tie Rod
	5200 5743	1	U						
12	5200 5740	1	J						SOCKET, Tie Rod, Inner
		1	U						
13	5208 7887	1	J						SOCKET, Drag Link, Outer
	5200 6582	1	U						

### JEEP WRANGLER (TJ)

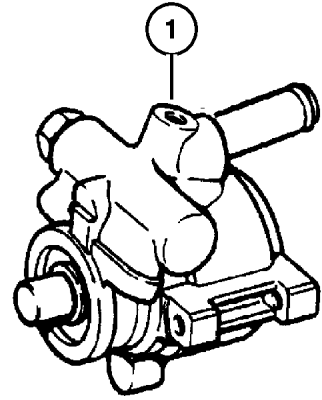
SERIES	LINE	BODY	ENGINE	TRANSMISSION
H = Sport	J = Wrangler 4WD	77 = 93.4 WB	EPE, EP0 = 2.5L Power Tech	DGG, DGD = 32RH 3 Spd. Auto.
L = SE	U = Wrangler 4WD (RHD)		ERH, ER0 = 4.0L Power Tech	DDQ = 5 Spd. Manual
P = Sahara				DDD = 5 Speed HD Manual
				DG0 = Auto. Trans.
				DBB = Manual Trans.

AR = Use as required - = Non illustrated part # = New this model year

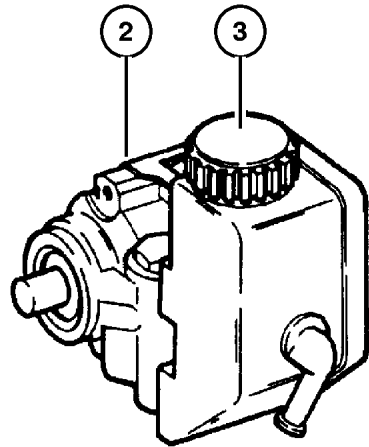
September 16, 2005



**Pump, Power Steering  
Figure 019-510**



W/2.5L



W/4.0L

ITEM	PART NUMBER	QTY	LINE	SERIES	BODY	ENGINE	TRANS	TRIM	DESCRIPTION
Note:EP0=All 2.5L 4 Cylinder Gas Engines---ER0=4.0L 6 Cylinder Gas Engine									
1	5208 8018	1				EP0			PUMP, Power Steering, without Reservoir
2	52087 871AD	1				ER0			PUMP, Power Steering, with Reservoir
3	4897 287AA	1				ER0			CAP, Power Steering Reservoir
-4									CLIP, Power Steering Reservoir
	5203 7547	1				ER0			Mounting, Right
	5203 7546	1				ER0			Mounting, Left
-5	8350 3489	1				ER0			VALVE, Flow Control
-6	2537 833	1				ER0			SPRING, Power Steering Pump Flow
-7	4778 797AB-	1				ER0			SEAL, Power Steering Pump
-8	5066 223AA-	1				ER0			KIT, Pump Assembly Service
-9	5066 224AA-	1				ER0			KIT, Reservoir Service

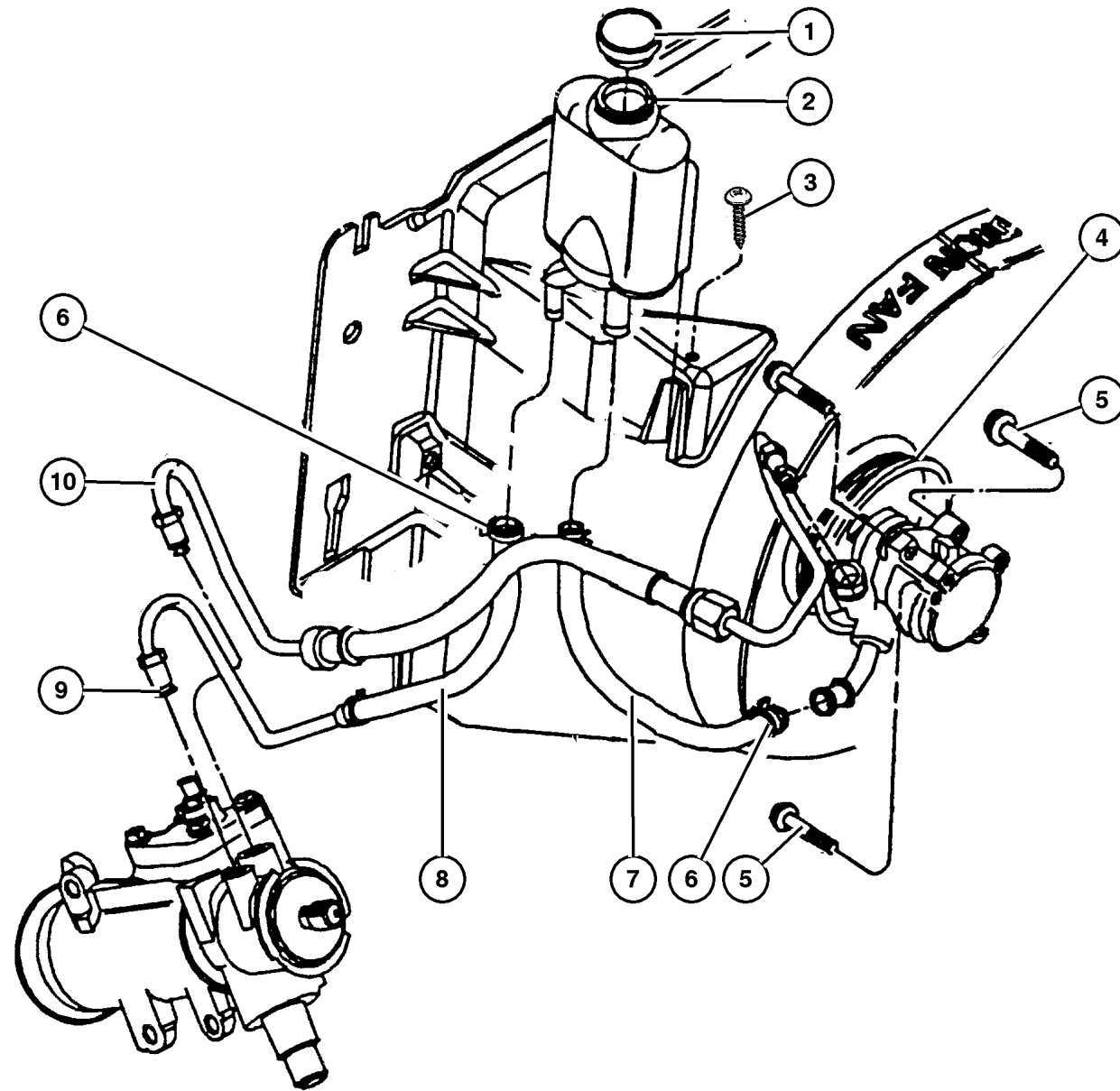
**JEEP WRANGLER (TJ)**

SERIES	LINE	BODY	ENGINE	TRANSMISSION
H = Sport	J = Wrangler 4WD	77 = 93.4 WB	EPE, EP0 = 2.5L Power Tech	DGG, DGD = 32RH 3 Spd. Auto.
L = SE	U = Wrangler 4WD (RHD)		ERH, ER0 = 4.0L Power Tech	DDQ = 5 Spd. Manual
P = Sahara				DDD = 5 Speed HD Manual
				DG0 = Auto. Trans.
				DBB = Manual Trans.

AR = Use as required - = Non illustrated part # = New this model year

September 16, 2005

## Hoses and Reservoir, 2.5L Engine Figure 019-710



ITEM	PART NUMBER	QTY	LINE	SERIES	BODY	ENGINE	TRANS	TRIM	DESCRIPTION
Note: J=Four Wheel Drive-Left Hand Drive---U=Four Wheel Drive-Right Hand Drive---EP0=All 2.5L 4 Cylinder Gas Engines									
1	4694 766	1				EP0			CAP, Power Steering Pump
2	52087 713AB	1				EP0			RESERVOIR, Power Steering Pump
3	52088 924AA	1				EP0			RETAINER, Reservoir
4	53010 258AB	1				EP0			PULLEY, Power Steering Pump
5	6502 425	2				EP0			SCREW AND WASHER, Hex Head, M8x1.25x95
6	2448 761	1	J			EP0			CLAMP, Hose
7	5208 8541	1	U			EP0			HOSE, Power Steering Reservoir
8	5208 7926	1	J			EP0			HOSE, Power Steering Return
9	5208 7795	1	U			EP0			O RING, Power Steering Hose as Required
	5205 254	1	J			EP0			O RING, Power Steering Hose as Required
10	52088 548AB	1	J			EP0			HOSE, Power Steering Pressure
	52087 825AB	1	U			EP0			HOSE, Power Steering Pressure
-11	3420 1888	1	U						SCREW, Hex Head, Power Steering Hose Bracket to Frame
-12	4486 273	1	U						BRACKET, Power Steering Hose, Pressure and Return Reservoir to Pump
-13	56027 906AB-	1	J			EP0			SWITCH, Power Steering
		1	U			EP0			SWITCH, Power Steering
-14	6035 358	1	U						CLIP, Oil Cooler Tube
-15	5200 2044	1	U						CLIP, Tube, Power Steering Line to Frame

### JEEP WRANGLER (TJ)

SERIES  
H = Sport  
L = SE  
P = Sahara

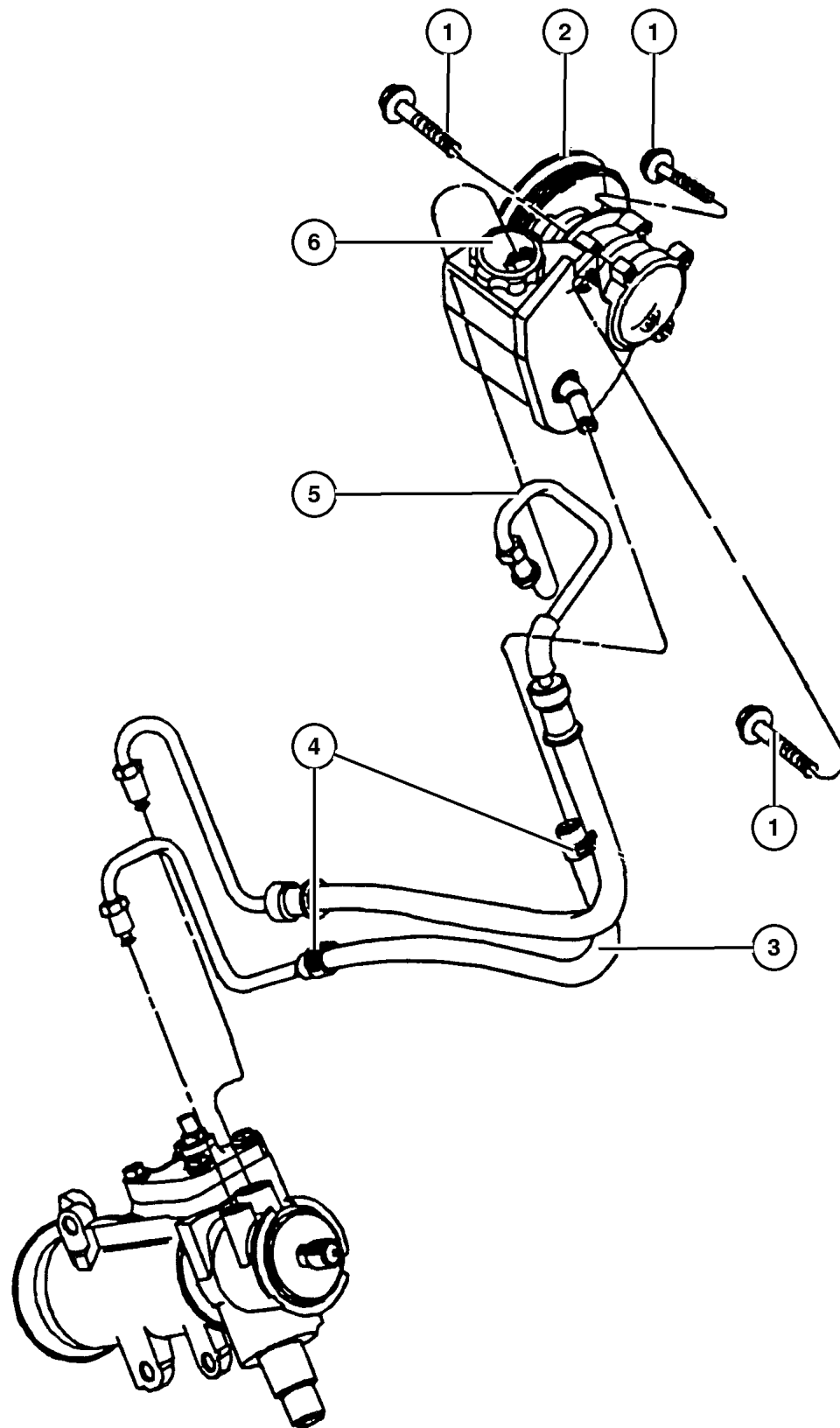
LINE  
J = Wrangler 4WD  
U = Wrangler 4WD (RHD)

BODY  
77 = 93.4 WB

ENGINE  
EPE, EP0 = 2.5L Power Tech  
ERH, ER0 = 4.0L Power Tech

TRANSMISSION  
DGG, DGD = 32RH 3 Spd. Auto.  
DDQ = 5 Spd. Manual  
DDD = 5 Speed HD Manual  
DG0 = Auto. Trans.  
DBB = Manual Trans.

Hoses and Reservoir, 4.0L Engine  
Figure 019-720



ITEM	PART NUMBER	QTY	LINE	SERIES	BODY	ENGINE	TRANS	TRIM	DESCRIPTION
Note: ER0=4.0L 6 Cylinder Gas Engines---J-Four Wheel Drive-Left Hand Drive---U=Four Wheel Drive-Right Hand Drive									
1	6502 425	3				ER0			SCREW AND WASHER, Hex Head, M8x1.25x95
2	53010 258AB	1				ER0			PULLEY, Power Steering Pump
3									HOSE, Power Steering Return
	52038 423AB	1	J			ER0			
	52038 424AB	1	U			ER0			
4	2448 761	1	J			ER0			CLAMP, Hose
5									HOSE, Power Steering Pressure
	52087 902AB	1	J			ER0			
	52087 903AB	1	U			ER0			
6	4694 766	1				ER0			CAP, Power Steering Pump
-7	3420 1888	1	U						SCREW, Hex Head, Power Steering Hose Bracket to Frame
-8	6035 358	1	U						CLIP, Oil Cooler Tube
-9	5200 2044	1	U						CLIP, Tube, Power Steering Line to Frame
-10	4486 273	1	U						BRACKET, Power Steering Hose, Pressure and Return Reservoir to Pump

JEEP WRANGLER (TJ)

SERIES	LINE	BODY	ENGINE	TRANSMISSION
H = Sport	J = Wrangler 4WD	77 = 93.4 WB	EPE, EP0 = 2.5L Power Tech	DGG, DGD = 32RH 3 Spd. Auto.
L = SE	U = Wrangler 4WD (RHD)		ERH, ER0 = 4.0L Power Tech	DDQ = 5 Spd. Manual
P = Sahara				DDD = 5 Speed HD Manual
				DG0 = Auto. Trans.
				DBB = Manual Trans.

AR = Use as required - = Non illustrated part # = New this model year

September 16, 2005

# Group – 30RH

## Automatic Transmission 3 Speed

### GROUP 30RH - Automatic Transmission 3 Speed

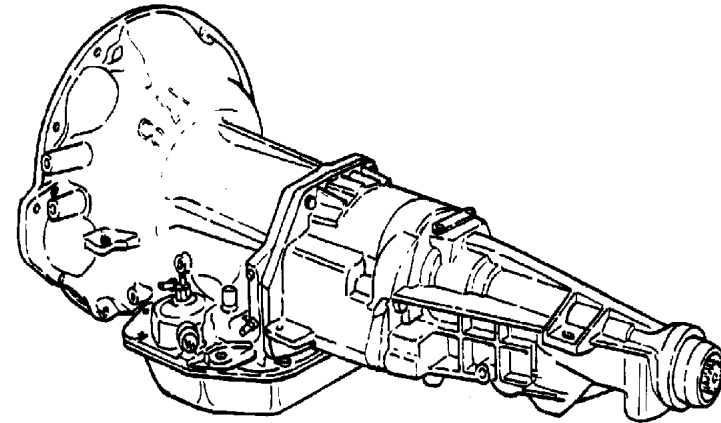


Illustration Title

Group-Fig. No.

#### Transmission Assembly

Transmission 30RH (DGD) ..... Fig. 30RH-110

#### Case and Extension

Case and Related Parts 30RH (DGD) ..... Fig. 30RH-210

#### Oil Pump

Oil Pump 30RH (DGD) ..... Fig. 30RH-310

#### Gear Train

Clutch, Front and Rear 30RH (DGD) ..... Fig. 30RH-410

Output Shaft 30RH (DGD) ..... Fig. 30RH-420

#### Bands, Reverse and Kickdown

Bands 30RH (DGD) ..... Fig. 30RH-510

#### Governor

Governor 30RH (DGD) ..... Fig. 30RH-610

#### Valve Body

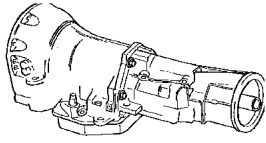
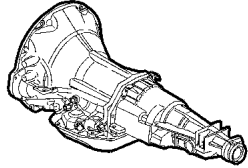

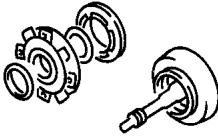
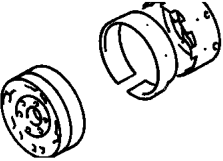
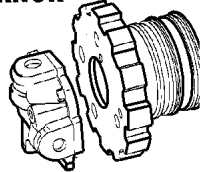
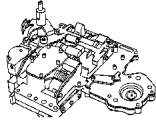
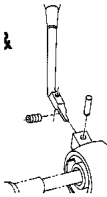
Valve Body 30RH (DGD) ..... Fig. 30RH-710

Servos 30RH (DGD) ..... Fig. 30RH-720

Parking Sprag 30RH (DGD) ..... Fig. 30RH-730

#### Gearshift Controls

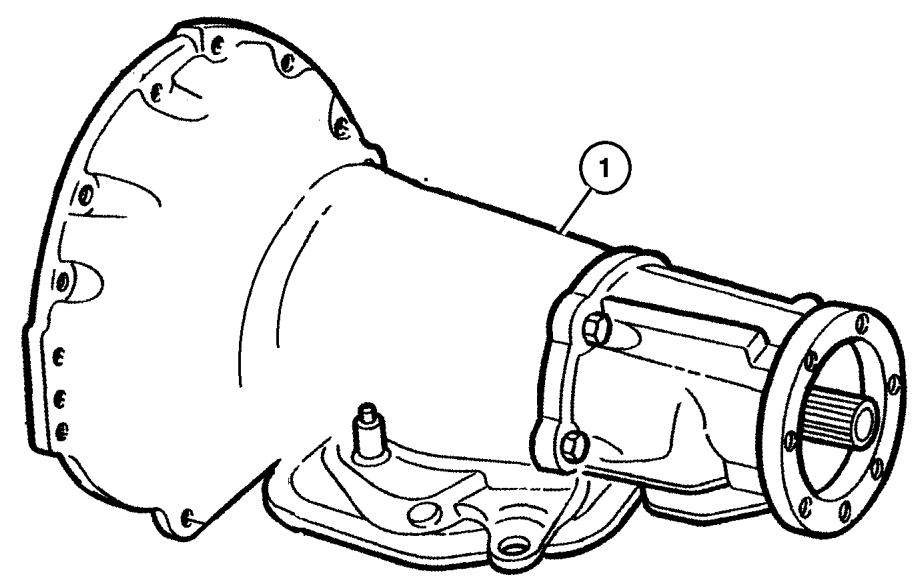
Gearshift Controls 30RH (DGD) ..... Fig. 30RH-1230

<p><b>30RH-100</b> Transmission Assembly</p> 	<p><b>30RH-200</b> Case and Extension</p> 	<p><b>30RH-300</b> Oil Pump</p> 	<p><b>30RH-400</b> Gear Train</p> 
<p><b>30RH-500</b> Bands, Reverse and Kickdown</p> 	<p><b>30RH-600</b> Governor</p> 	<p><b>30RH-700</b> Valve Body</p> 	<p><b>30RH-1200</b> Gearshift Controls</p> 

**Transmission 30RH (DGD)  
Figure 30RH-110**

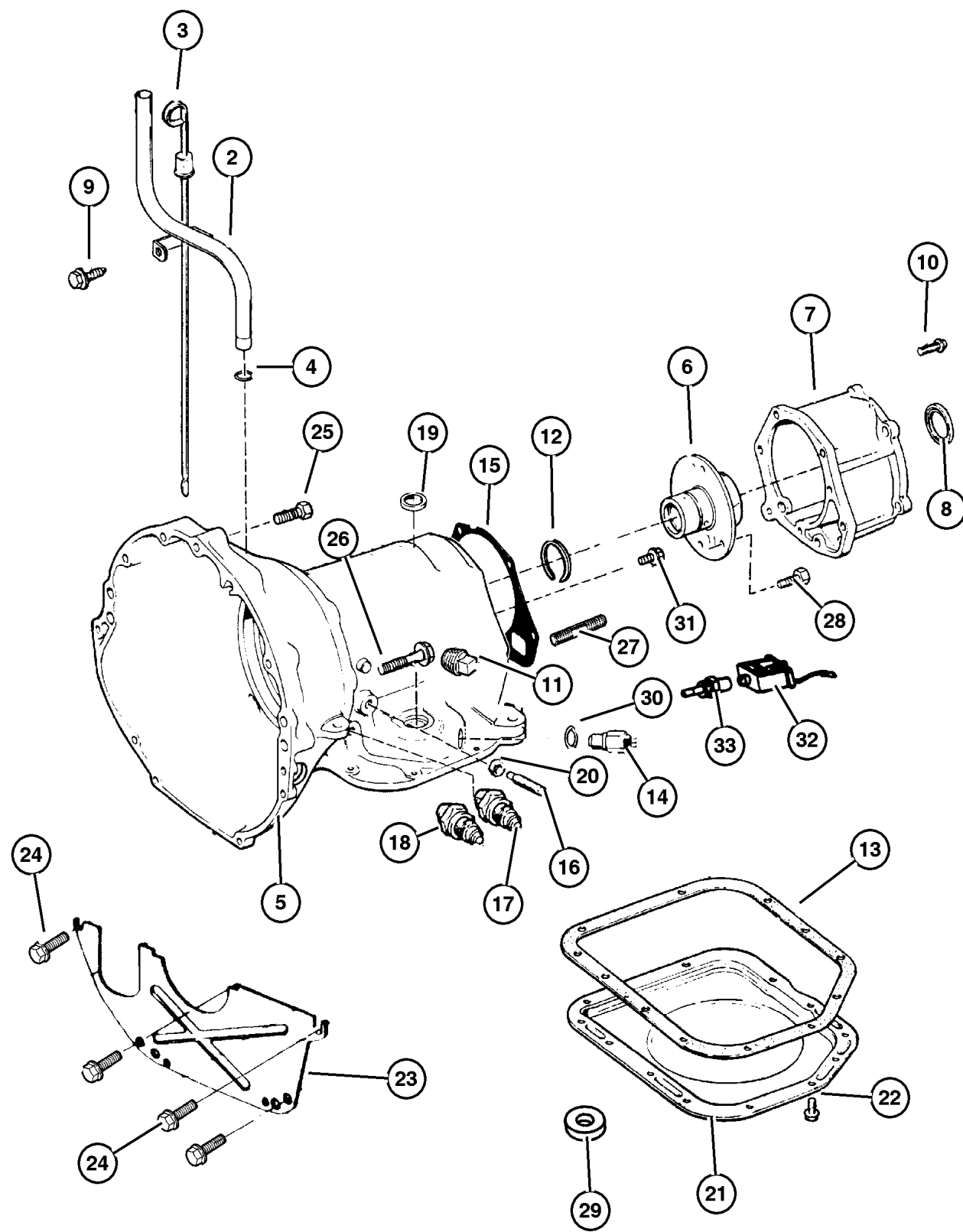
ITEM	PART NUMBER	QTY	LINE	SERIES	BODY	ENGINE	TRANS	TRIM	DESCRIPTION
------	-------------	-----	------	--------	------	--------	-------	------	-------------

NOTE; Sales Code  
 [DGD] = 3 Speed Automatic Transmission [30RH]  
 1 5015 269AA 1 DGD TRANSMISSION PACKAGE,  
 52119831AA (Package Contains  
 52119831AA transmission,  
 K4736388AB Converter, K6501099  
 Bolts)



<b>JEEP WRANGLER (TJ)</b>				
SERIES	LINE	BODY	ENGINE	TRANSMISSION
H = Sport	J = Wrangler 4WD	77 = 93.4 WB	EPE, EP0 = 2.5L Power Tech	DGG, DGD = 32RH 3 Spd. Auto.
L = SE	U = Wrangler 4WD (RHD)		ERH, ER0 = 4.0L Power Tech	DDQ = 5 Spd. Manual
P = Sahara				DDD = 5 Speed HD Manual
				DG0 = Auto. Trans.
				DBB = Manual Trans.

Case and Related Parts 30RH (DGD)  
Figure 30RH-210



ITEM	PART NUMBER	QTY	LINE	SERIES	BODY	ENGINE	TRANS	TRIM	DESCRIPTION
-1	4883 957AD-	1					DGD		SEAL AND GASKET PACKAGE, Transmission
2	52104 244AB	1				EP0	DG0		TUBE, Transmission Oil Filler
3	52104 240AD	1				EP0, ER0	DG0		INDICATOR, Transmission Fluid Level
4	52118 629AB	1				EP0, ER0	DG0		SEAL, Oil Filler Tube
5	5211 8593	1					DGD		CASE, Transmission
6	4431 433	1					DGD		SUPPORT, Output Shaft
7	5211 8076	1					DGD		ADAPTER, Transmission
8	4269 956	1					DGD		SEAL, Adapter
9	J400 1701	11					DG0		SCREW, Hex Self Tapping, .19-16x.50
10	6030 849	5					DGD		SCREW AND WASHER, Hex Head Locking, .375-16x1.375
11	6028 095	1					DGD		PLUG, Pressure Check
12	6033 480	1					DGD		SNAP RING, Reverse Drum
13	4295 875AB	1					DGD		GASKET, Oil Pan
14	56028 181AB	1					DGD		SWITCH, Neutral, Safety, Back Up
15	2466 954	1					DGD		GASKET, Transmission Case
16	6036 141AA	1					DGD		SCREW
17	6033 879	1					DGD		NUT, Inverted Flare, .62-18
18	5202 8629	1					DGD		CONNECTOR, Oil Cooler Tube, .375 Tube x .25 Thread
19	4505 098	1					DGD		SEAL, Manual Shift Valve, 1.25 OD
20	0124 934	1					DGD		NUT, Hex Jam, .50-20
21	5211 8802	1					DGD		PAN, Transmission Oil
22	4723 548	14					DGD		SCREW AND WASHER, Hex Head, .312-18x.625
23	5211 8408	1					DGD		COVER, Transmission Converter
24	1150 2628	2					DGD		BOLT, Hex Flange Head, M8x1.25x30
25	1150 4922	1					DGD		BOLT, Hex Head, M12x1.75x50
26	3420 1837	1					DGD		BOLT, Hex Flange Head, M12x1.75x90
27	6033 157	1					DGD		STUD, .375-16x2.312
28	6033 479	6					DGD		BOLT, Hex Head, .25-28x1-5/8

NOTE; Sales Code

[DGD] = 3 Speed Automatic Transmission [30RH]

[DG0] = All Automatic Transmissions

[EP0] = All 2.5L 4 Cylinder Gas Engines

[ER0] = All 4.0 L 6 Cylinder Gas Engines

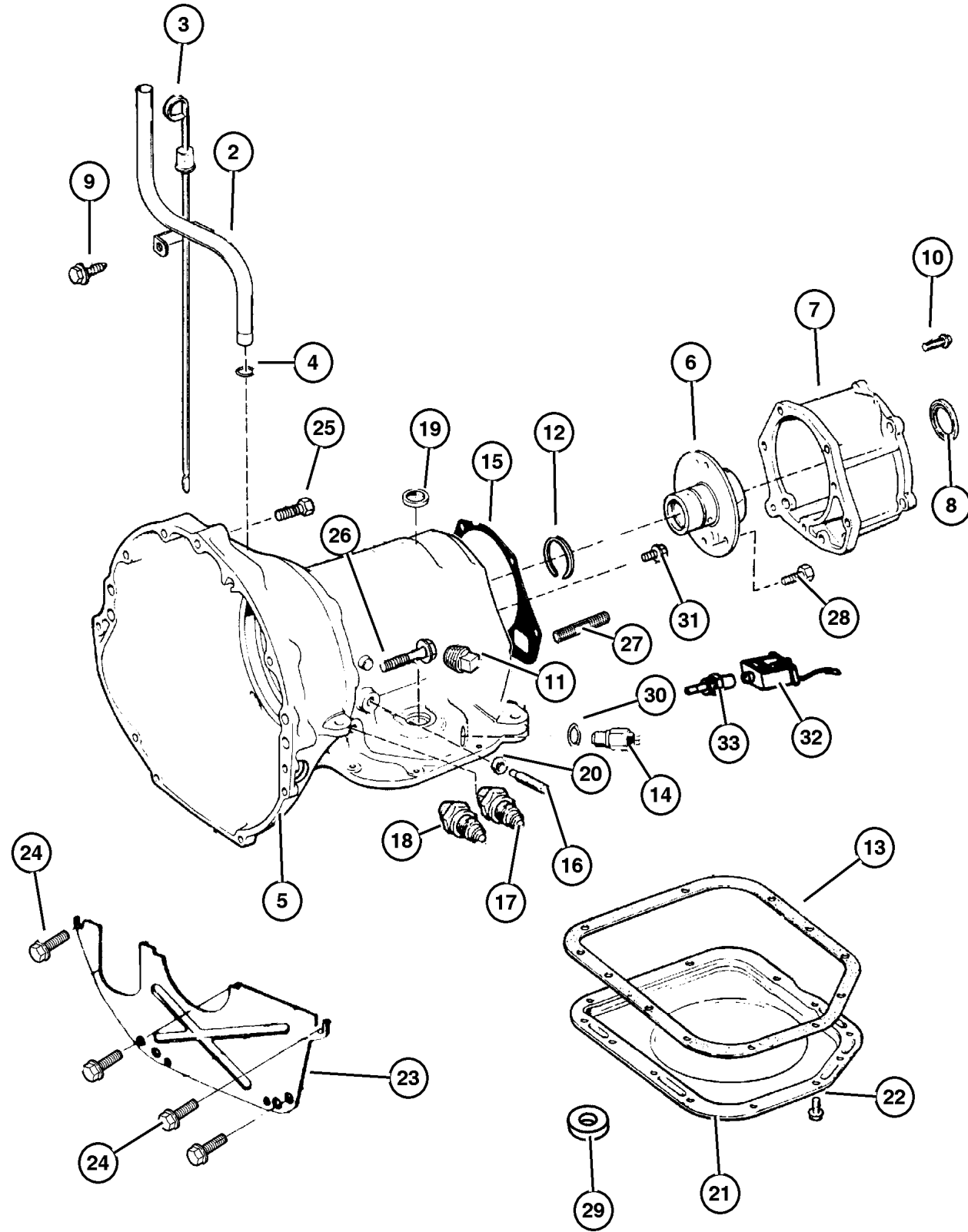
JEEP WRANGLER (TJ)

SERIES	LINE	BODY	ENGINE	TRANSMISSION
H = Sport	J = Wrangler 4WD	77 = 93.4 WB	EPE, EP0 = 2.5L Power Tech	DGG, DGD = 32RH 3 Spd. Auto.
L = SE	U = Wrangler 4WD (RHD)		ERH, ER0 = 4.0L Power Tech	DDQ = 5 Spd. Manual
P = Sahara				DDD = 5 Speed HD Manual
				DG0 = Auto. Trans.
				DBB = Manual Trans.

AR = Use as required - = Non illustrated part # = New this model year

September 16, 2005

Case and Related Parts 30RH (DGD)  
Figure 30RH-210



ITEM	PART NUMBER	QTY	LINE	SERIES	BODY	ENGINE	TRANS	TRIM	DESCRIPTION
29	3681 601	1					DGD		MAGNET, Transmission
30	2408 143	1					DGD		WASHER, Switch
31	6033 616	5					DGD		SCREW, Hex Flange Head, .25-28x.875
32	5211 8595	1					DGD		SOLENOID, Transmission
33	5603 8235	1					DGD		CONNECTOR, Wiring

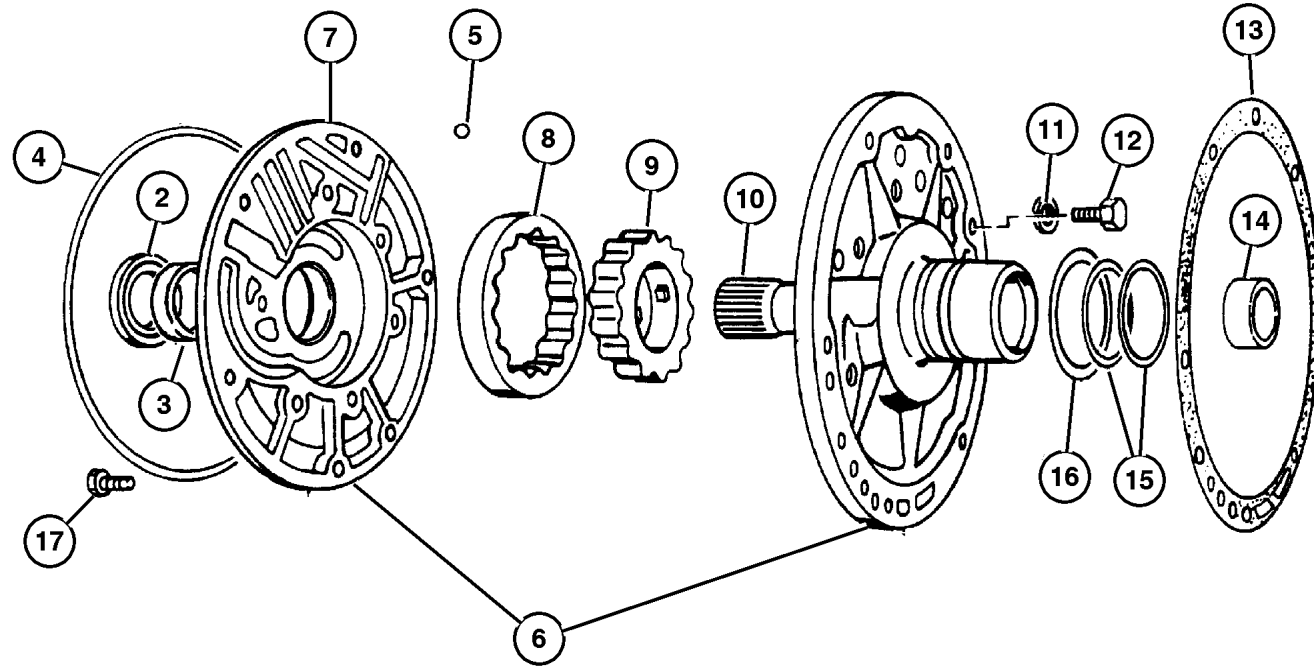
**JEEP WRANGLER (TJ)**

SERIES	LINE	BODY	ENGINE	TRANSMISSION
H = Sport	J = Wrangler 4WD	77 = 93.4 WB	EPE, EP0 = 2.5L Power Tech	DGG, DGD = 32RH 3 Spd. Auto.
L = SE	U = Wrangler 4WD (RHD)		ERH, ER0 = 4.0L Power Tech	DDQ = 5 Spd. Manual
P = Sahara				DDD = 5 Speed HD Manual
				DG0 = Auto. Trans.
				DBB = Manual Trans.

AR = Use as required - = Non illustrated part # = New this model year

September 16, 2005

**Oil Pump 30RH (DGD)  
Figure 30RH-310**



ITEM	PART NUMBER	QTY	LINE	SERIES	BODY	ENGINE	TRANS	TRIM	DESCRIPTION
NOTE; Sales Code									
[DGD] = 3 Speed Automatic Transmission [30RH]									
-1	4713 108AB-	1					DGD		GASKET AND SEAL PACKAGE, Transmission Oil Pump
2	4412 475	1					DGD		SEAL, Impeller Hub, 57.25mm OD
3	1853 595	1					DGD		BUSHING, Front Pump
4	2204 709	1					DGD		SEAL, Front Pump Housing
5									BALL, Valve Body Check, (NOT SERVICED) (Not Serviced)
6	52118 267AB	1					DGD		PUMP, Transmission Oil
7									HOUSING, Pump, (NOT SERVICED) (Not Serviced)
8									ROTOR, Oil Pump, (NOT SERVICED) (Not Serviced)
9									ROTOR, Oil Pump, (NOT SERVICED) (Not Serviced)
10									SHAFT, Oil Pump, (NOT SERVICED) (Not Serviced)
11									LOCK WASHER, (NOT SERVICED) (Not Serviced)
12	0179 815	6					DGD		SCREW, Hex Head, .312-18x.687
13	5211 8266	1					DGD		GASKET, Transmission Oil Pump
14	4028 545	1					DGD		BUSHING, Reaction Shaft
15	4471 874	2					DGD		SEAL, Ring Reaction Support, 2 1/16 O.D.
16	4617 786	1					DGD		THRUST WASHER, Front Clutch
17	6023 943	6					DGD		SCREW AND WASHER, Hex Flange Head, .312-18x1.375

**JEEP WRANGLER (TJ)**

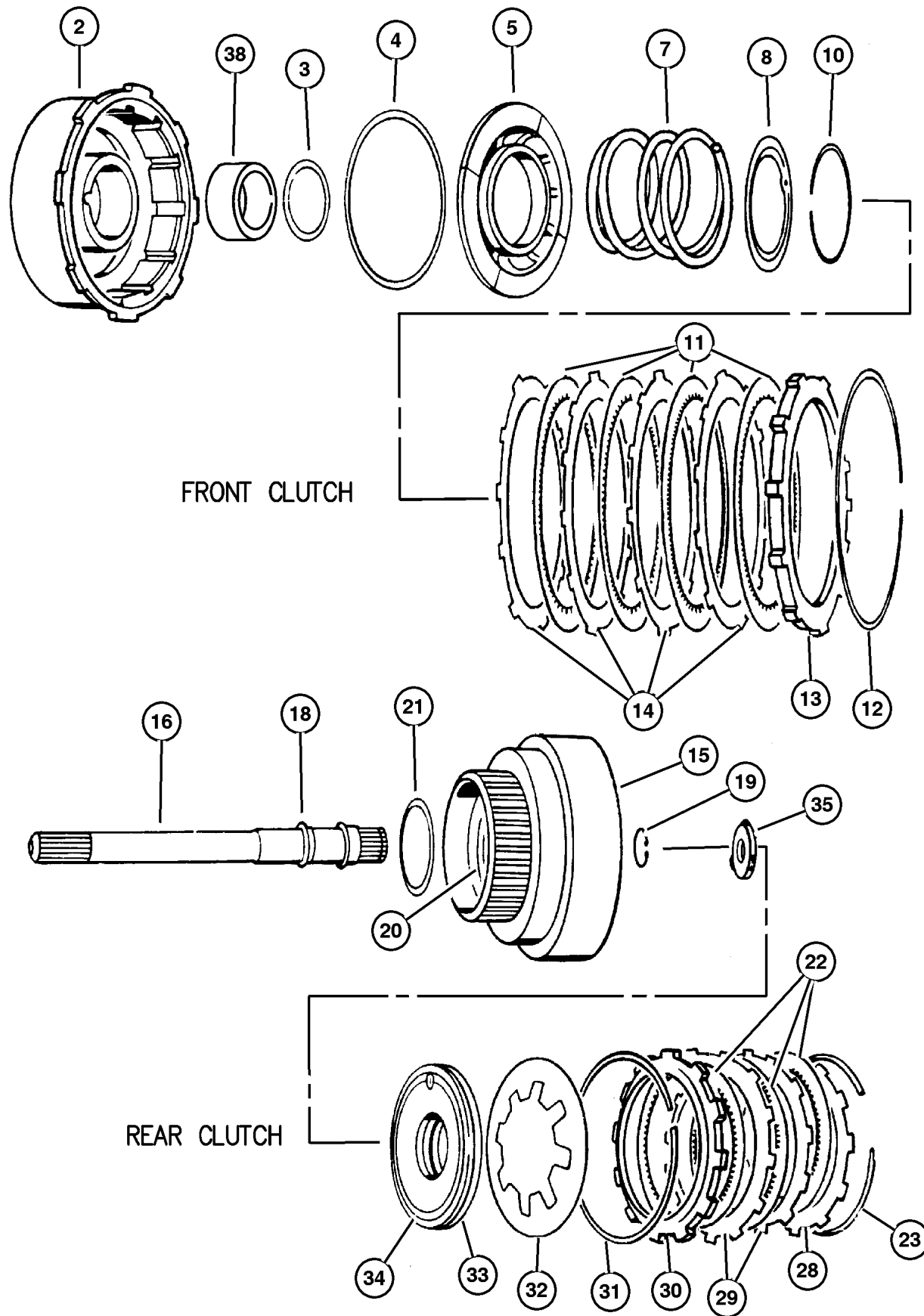
SERIES	LINE	BODY	ENGINE	TRANSMISSION
H = Sport	J = Wrangler 4WD	77 = 93.4 WB	EPE, EP0 = 2.5L Power Tech	DGG, DGD = 32RH 3 Spd. Auto.
L = SE	U = Wrangler 4WD (RHD)		ERH, ER0 = 4.0L Power Tech	DDQ = 5 Spd. Manual
P = Sahara				DDD = 5 Speed HD Manual
				DG0 = Auto. Trans.
				DBB = Manual Trans.

AR = Use as required - = Non illustrated part # = New this model year

September 16, 2005



**Clutch, Front and Rear 30RH (DGD)  
Figure 30RH-410**



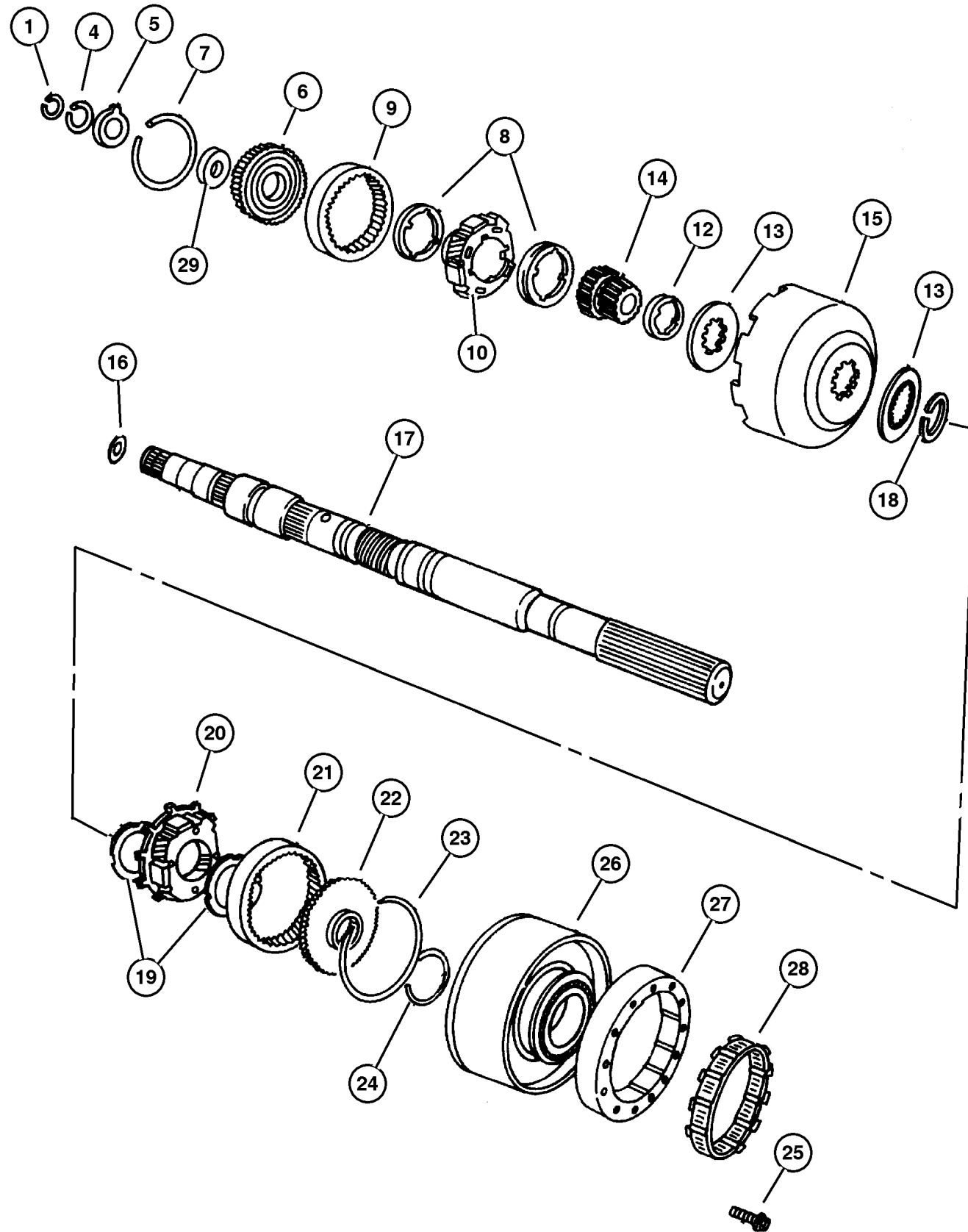
ITEM	PART NUMBER	QTY	LINE	SERIES	BODY	ENGINE	TRANS	TRIM	DESCRIPTION
NOTE; Sales Code									
[DGD] = 3 Speed Automatic Transmission [30RH]									
-1	5252 926AB-	1					DGD		SEAL PACKAGE, Transmission Clutch
2	4531 285AB	1					DGD		RETAINER AND BUSHING, Transmission Front Clutch
3	3515 176	1					DGD		SEAL, Front Clutch Piston
4	4058 487AB	1					DGD		SEAL, Front Piston Clutch
5	4617 154AB	1					DGD		PISTON, Clutch
-6	0147 483	1					DGD		CHECK BALL, Dia-.187
7	3515 054	1					DGD		SPRING, Front Clutch
8	4617 516AC	1					DGD		RETAINER, Transmission Front Clutch Piston Spring
-9	0147 483	1					DGD		CHECK BALL, Dia-.187
10	1942 400	1					DGD		SNAP RING
11	4617 362	4					DGD		DISC, Direct Clutch
12	3410 571	1					DGD		SNAP RING
13	4617 176	1					DGD		PLATE, Transmission Clutch Reaction
14	1942 403AC	4					DGD		PLATE, Clutch Separator
15	4505 195	1					DGD		RETAINER, Transmission Rear Clutch
16									SHAFT, Input, (NOT SERVICED) (Not Serviced)
-17	0147 483	1					DGD		CHECK BALL, Dia-.187
18	1401 221AB	1					DGD		SEAL, Input Shaft
19	6022 859	1					DGD		SNAP RING, .890625
20	4028 333	1					DGD		SEAL, Rear Clutch, 1.50 ODx.009 Thk
21	4617 786	1					DGD		THRUST WASHER, Front Clutch
22	4713 880	3					DGD		DISC, Clutch
23	4130 761	1					DGD		SNAP RING
-24	4539 121	1					DGD		SNAP RING, Rear Clutch, .076
-25	4539 122	1					DGD		SNAP RING, Rear Clutch, .098
-26	4539 123	1					DGD		SNAP RING, Rear Clutch, .095
-27	4539 124	1					DGD		SNAP RING, Rear Clutch, .107
28	4617 176	1					DGD		PLATE, Transmission Clutch Reaction
29	1942 403AB	2					DGD		PLATE, Clutch Separator
30	2466 281	1					DGD		PLATE, Clutch Pressure
31	2466 283	1					DGD		SPRING, Rear Clutch
32	4728 487	1					DGD		SPRING, Rear Clutch Piston

**JEEP WRANGLER (TJ)**

SERIES	LINE	BODY	ENGINE	TRANSMISSION
H = Sport	J = Wrangler 4WD	77 = 93.4 WB	EPE, EP0 = 2.5L Power Tech	DGG, DGD = 32RH 3 Spd. Auto.
L = SE	U = Wrangler 4WD (RHD)		ERH, ER0 = 4.0L Power Tech	DDQ = 5 Spd. Manual
P = Sahara				DDD = 5 Speed HD Manual
				DG0 = Auto. Trans.
				DBB = Manual Trans.



Output Shaft 30RH (DGD)  
Figure 30RH-420



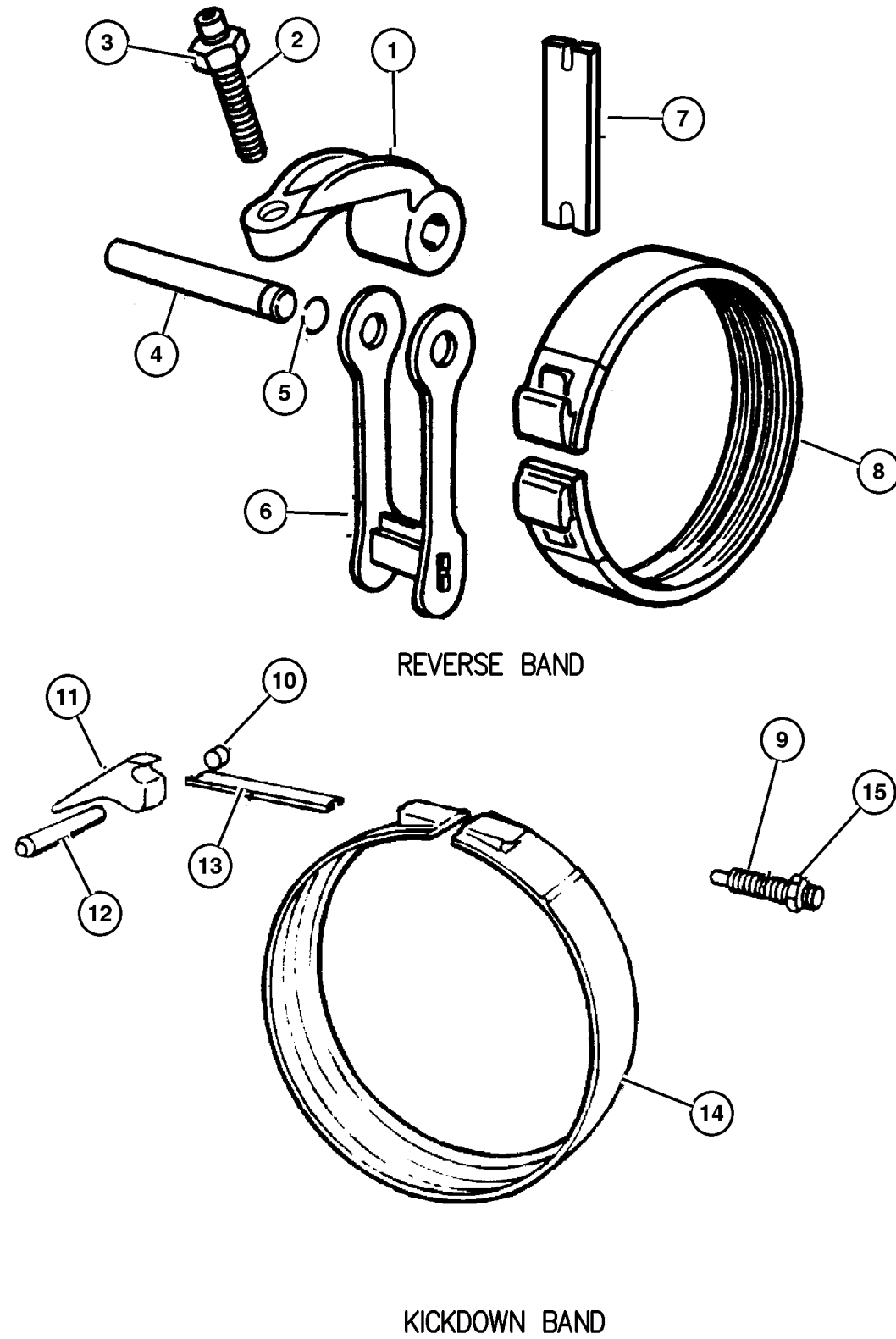
ITEM	PART NUMBER	QTY	LINE	SERIES	BODY	ENGINE	TRANS	TRIM	DESCRIPTION
NOTE; Sales Code									
[DGD] = 3 Speed Automatic Transmission [30RH]									
1	6026 289	1					DGD		SNAP RING, .946 ID
-2	6030 938	1					DGD		SNAP RING
-3	6030 404	1					DGD		SNAP RING, Output Shaft, 1.029 OD
4	6030 576	1					DGD		SNAP RING, Annulus Gear, 1.375 ID
5	3681 969	1					DGD		THRUST WASHER, Annulus Gear
6	4617 774	1					DGD		SUPPORT, Annulus Gear
7	6030 576	1					DGD		SNAP RING, Annulus Gear, 1.375 ID
8	4130 518	2					DGD		THRUST WASHER, Planetary Carrier
9	4130 512	1					DGD		GEAR, Front Annulus
10	4130 514	1					DGD		CARRIER, Planetary Pinion
-11	3681 949	8					DGD		THRUST WASHER, Planet Pinion
12	4130 736	1					DGD		SPACER, Sun Gear
13	4471 566	2					DGD		PLATE, Transmission Module
14	4130 685	1					DGD		GEAR, Sun
15	4531 288	1					DGD		SHELL, Sun Gear
16	4505 188	1					DGD		PLATE, Transmission Module
17	4617 320	1					DGD		MAINSHAFT, Transmission
18	1942 439	1					DGD		SNAP RING, Sun Gear Shell
19	3681 935	1					DGD		THRUST WASHER, Planetary Carrier
20	4431 438	1					DGD		CARRIER, Planetary Pinion
21	3743 184	1					DGD		GEAR, Rear Annulus
22	3515 501	1					DGD		SUPPORT, Annulus Gear
23	1942 444	1					DGD		SNAP RING
24	6033 480	1					DGD		SNAP RING, Reverse Drum
25	6033 616	5					DGD		SCREW, Hex Flange Head, .25-28x.875
26	4637 956	1					DGD		DRUM PACKAGE, Transmission
27	4431 690	1					DGD		CAM, Overrunning Clutch
28	4431 432	1					DGD		CLUTCH, Overrunning
29	4617 775	1					DGD		PLATE, Annulus Gear Thrust

JEEP WRANGLER (TJ)				
SERIES	LINE	BODY	ENGINE	TRANSMISSION
H = Sport	J = Wrangler 4WD	77 = 93.4 WB	EPE, EP0 = 2.5L Power Tech	DGG, DGD = 32RH 3 Spd. Auto.
L = SE	U = Wrangler 4WD (RHD)		ERH, ER0 = 4.0L Power Tech	DDQ = 5 Spd. Manual
P = Sahara				DDD = 5 Speed HD Manual
				DG0 = Auto. Trans.
				DBB = Manual Trans.

AR = Use as required - = Non illustrated part # = New this model year

September 16, 2005

**Bands 30RH (DGD)  
Figure 30RH-510**



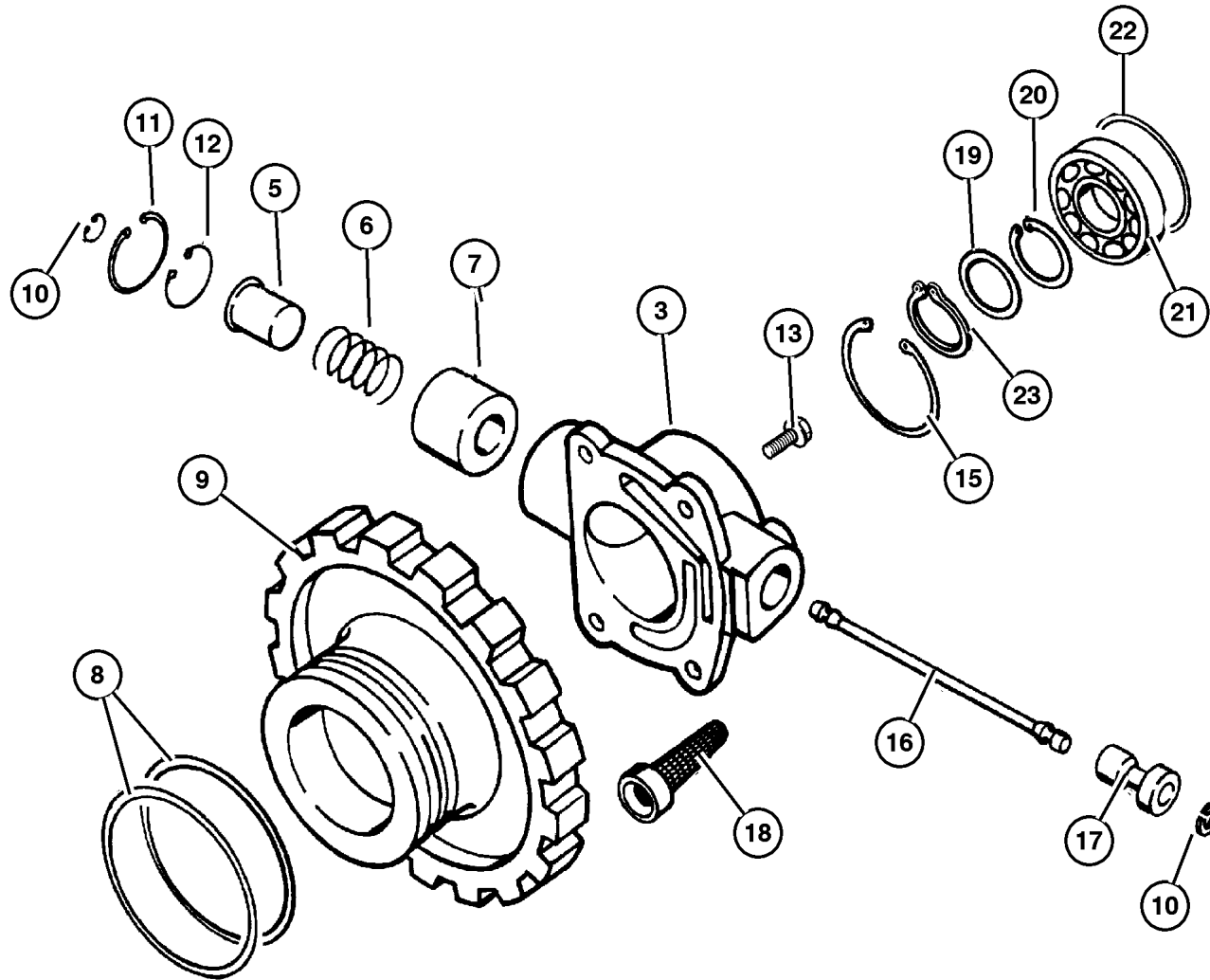
ITEM	PART NUMBER	QTY	LINE	SERIES	BODY	ENGINE	TRANS	TRIM	DESCRIPTION
NOTE; Sales Code									
[DGD] = 3 Speed Automatic Transmission [30RH]									
1	3681 139	1					DGD		LEVER, Reverse Band
2	6030 704	1					DGD		SCREW, Cap, .437-20x1.812
3	0271 506	1					DGD		NUT, Hex, .42-20
4	3410 102	1					DGD		SHAFT, Reverse Band
5	6030 657	1					DGD		O RING, Steering Gear
6	2464 439	1					DGD		LINK, Transmission Reverse Band
7	3515 589	1					DGD		STRUT, Reverse Band
8	4431 405	1					DGD		BAND, Reverse
9	6036 141AA	1					DGD		SCREW
10									PLUG, (NOT SERVICED) (Not Serviced)
11	2125 067	1					DGD		LEVER, Kickdown
12	4531 181	1					DGD		SHAFT, Band Lever
13	3515 084	1					DGD		STRUT, Kickdown Band
14	4617 849	1					DGD		BAND, Kickdown
15	0124 934	1					DGD		NUT, Hex Jam, .50-20

JEEP WRANGLER (TJ)				
SERIES	LINE	BODY	ENGINE	TRANSMISSION
H = Sport	J = Wrangler 4WD	77 = 93.4 WB	EPE, EP0 = 2.5L Power Tech	DGG, DGD = 32RH 3 Spd. Auto.
L = SE	U = Wrangler 4WD (RHD)		ERH, ER0 = 4.0L Power Tech	DDQ = 5 Spd. Manual
P = Sahara				DDD = 5 Speed HD Manual
				DG0 = Auto. Trans.
				DBB = Manual Trans.

AR = Use as required - = Non illustrated part # = New this model year

September 16, 2005

**Governor 30RH (DGD)  
Figure 30RH-610**



ITEM	PART NUMBER	QTY	LINE	SERIES	BODY	ENGINE	TRANS	TRIM	DESCRIPTION
NOTE; Sales Code									
[DGD] = 3 Speed Automatic Transmission [30RH]									
-1	4883 956AC-	1					DGD		GASKET AND SEAL PACKAGE, Governor
-2	4728 460	1					DGD		BODY PACKAGE, Governor
3									BODY, Governor, (NOT SERVICED) (Not Serviced)
-4	5211 7938	1					DGD		WEIGHT KIT, Transmission Governor
5									INNER, Inner, (NOT SERVICED) (Not Serviced)
6									SPRING, Governor Valve, (NOT SERVICED) (Not Serviced)
7									WEIGHT, Governor, (NOT SERVICED) (Not Serviced)
8	1942 109	1					DGD		SEAL, Governor
9	3743 518	1					DGD		SUPPORT, Governor
10	1638 461	2					DGD		SNAP RING
11	6031 392	1					DGD		SNAP RING, Brake Master Cylinder
12	6034 723	1					DGD		SNAP RING, Governor, .675 x .025
13	6031 613	2					DGD		BOLT, Hex Head, .25-20x.68
-14	6034 788	2					DGD		BOLT, Hex Head, .25-20x1.33
15	6027 271	1					DGD		SNAP RING, Governor, 1.156
16	1556 082	1					DGD		SHAFT, Governor
17	4617 064	1					DGD		VALVE, Governor
18	3743 519	1					DGD		FILTER, Transmission Governor
19	4617 799	1					DGD		SPACER, Output Shaft
20	6025 668	1					DGD		SNAP RING, 1.150" Free Diameter
21	4130 537	1					DGD		BEARING, Output Shaft
22	6032 739	1					DGD		O RING, Output Shaft Bearing, Transmission
23	6025 668	1					DGD		SNAP RING, 1.150" Free Diameter

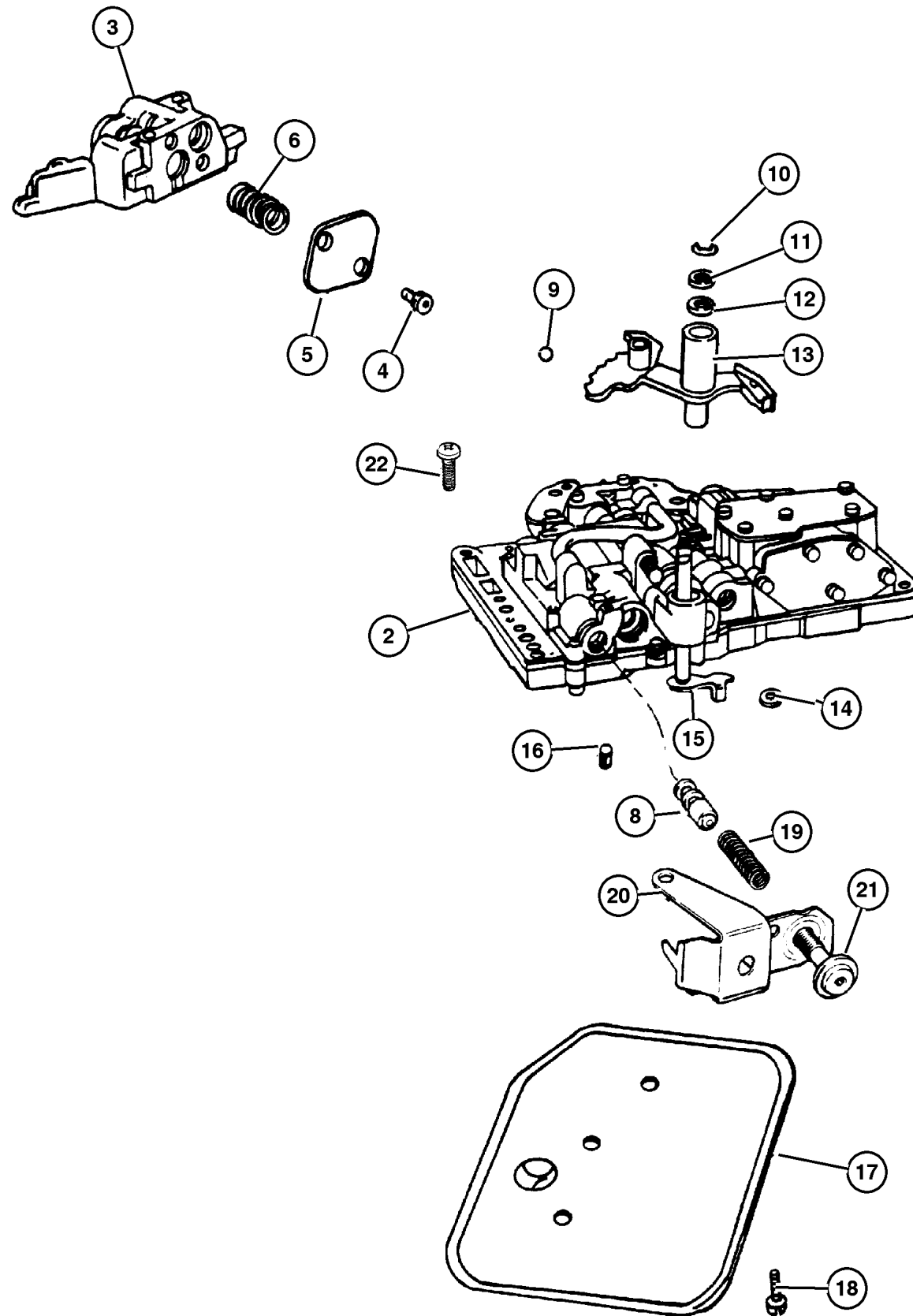
**JEEP WRANGLER (TJ)**

SERIES	LINE	BODY	ENGINE	TRANSMISSION
H = Sport	J = Wrangler 4WD	77 = 93.4 WB	EPE, EP0 = 2.5L Power Tech	DGG, DGD = 32RH 3 Spd. Auto.
L = SE	U = Wrangler 4WD (RHD)		ERH, ER0 = 4.0L Power Tech	DDQ = 5 Spd. Manual
P = Sahara				DDD = 5 Speed HD Manual
				DG0 = Auto. Trans.
				DBB = Manual Trans.

AR = Use as required - = Non illustrated part # = New this model year

September 16, 2005

Valve Body 30RH (DGD)  
Figure 30RH-710



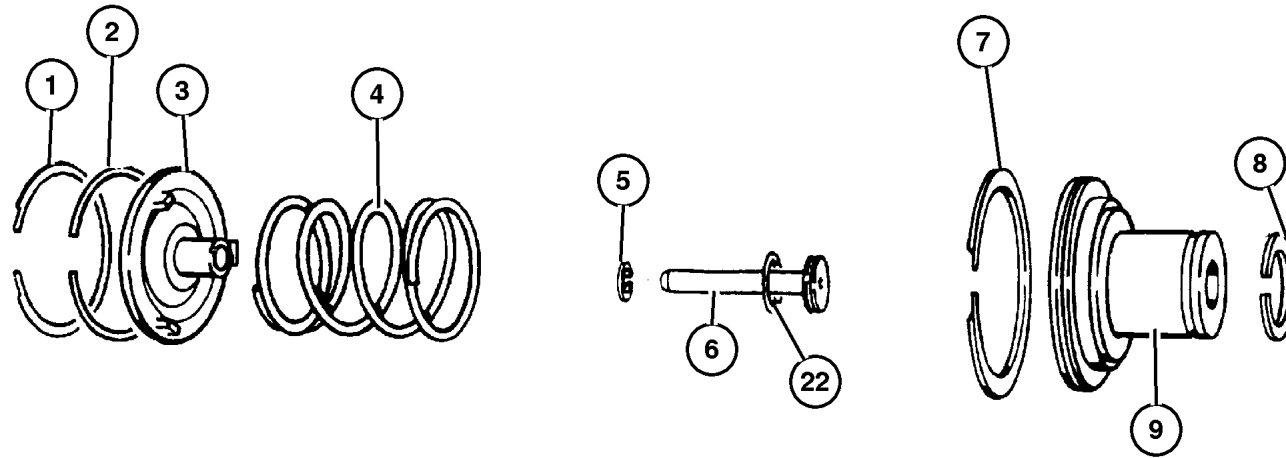
ITEM	PART NUMBER	QTY	LINE	SERIES	BODY	ENGINE	TRANS	TRIM	DESCRIPTION
NOTE; Sales Code									
[DGD] = 3 Speed Automatic Transmission [30RH]									
-1	4713 105AC-	1					DGD		GASKET AND SEAL PACKAGE, Valve Body
2	5211 8596	1					DGD		BODY, Transfer Plate
3	5211 8596	1					DGD		BODY, Transfer Plate
4									SCREW, Pan Head, .19-24x.440, (NOT SERVICED) (Not Serviced)
5									PLATE, (NOT SERVICED) (Not Serviced)
6									SPRING, Lock Up Valve, (NOT SERVICED) (Not Serviced)
-7									SCREW AND WASHER, Hex Flange Head, .190-24x1.54, (NOT SERVICED) (Not Serviced)
8	4505 036	1					DGD		VALVE, Trans Lockup Switch
9	0147 488	1					DGD		BALL, Manual Lever Detent, .343 Diameter
10	6035 208	2					DGD		SNAP RING
11	2538 062	1					DGD		WASHER, Manual Valve Lever
12	2466 548	1					DGD		SEAL, Valve Lever Shift
13	4617 437	1					DGD		LEVER, Manual Valve
14	4505 098	1					DGD		SEAL, Manual Shift Valve, 1.25 OD
15	3681 227	1					DGD		LEVER, Throttle Valve
16	3878 313	1					DGD		SCREEN, Transmission Regulator Valve
17	3515 996	1					DGD		FILTER, Valve Body
18	6033 826	3					DGD		SCREW AND WASHER, Oil Filter Mounting, Fillester Head .190-24x2.500
19	4130 492	1					DGD		SPRING, Switch Valve
20									BRACKET, (NOT SERVICED) (Not Serviced)
21	6030 609	1					DGD		SCREW, Cap Head Lock, .312-24x1.25
22									SCREW, (NOT SERVICED) (Not Serviced)
-23	4348 907	1					DGD		SPRING, Limit Valve

JEEP WRANGLER (TJ)

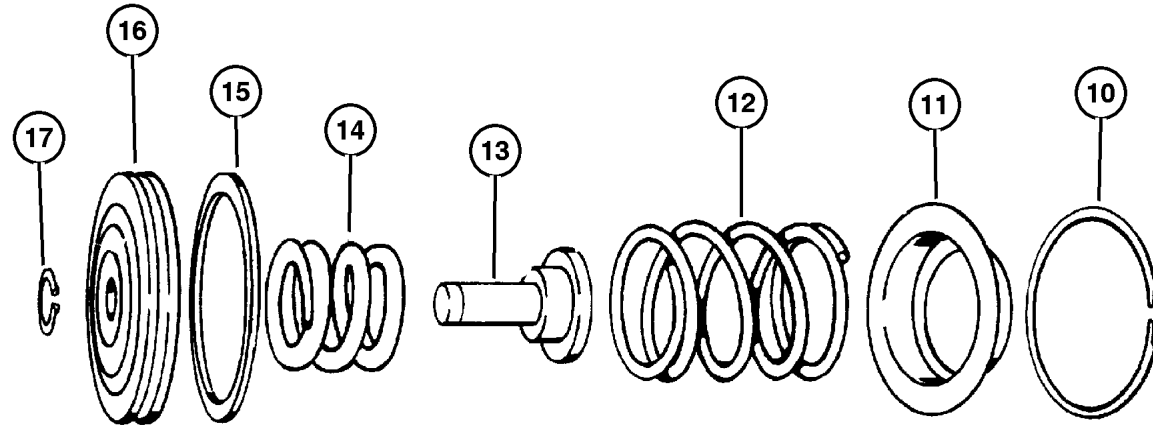
SERIES	LINE	BODY	ENGINE	TRANSMISSION
H = Sport	J = Wrangler 4WD	77 = 93.4 WB	EPE, EP0 = 2.5L Power Tech	DGG, DGD = 32RH 3 Spd. Auto.
L = SE	U = Wrangler 4WD (RHD)		ERH, ER0 = 4.0L Power Tech	DDQ = 5 Spd. Manual
P = Sahara				DDD = 5 Speed HD Manual
				DG0 = Auto. Trans.
				DBB = Manual Trans.

Servos 30RH (DGD)  
Figure 30RH-720

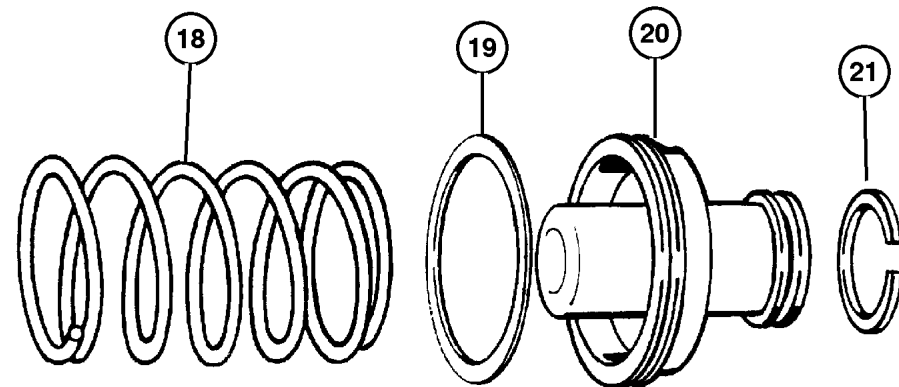
ITEM	PART NUMBER	QTY	LINE	SERIES	BODY	ENGINE	TRANS	TRIM	DESCRIPTION
NOTE; Sales Code									
[DGD] = 3 Speed Automatic Transmission [30RH]									
1	1942 486	1					DGD		SNAP RING
2	3743 014	1					DGD		SEAL, Kickdown Servo
3	1942 485	1					DGD		GUIDE, Kickdown Servo
4									SPRING, Kickdown Servo Piston, (NOT SERVICED) (Not Serviced)
5	6031 392	1					DGD		SNAP RING, Brake Master Cylinder
6	4058 943	1					DGD		ROD, Kickdown Servo Piston
7	3743 014	1					DGD		SEAL, Kickdown Servo
8	1636 470	1					DGD		SEAL, Servo Piston
9	4058 942	1					DGD		PISTON, Kickdown Servo
10	2464 464	1					DGD		SNAP RING
11	2464 463	1					DGD		RETAINER, Transmission Rear Clutch
12	2801 274	1					DGD		SPRING, Reverse Servo Piston
13	5211 8741	1					DGD		PLUG, Reverse Servo Piston
14	3743 580	1					DGD		SPRING, Reverse Servo Piston
15	4202 864	1					DGD		SEAL, Reverse Servo Piston
16	5211 8744	1					DGD		PISTON, Reverse Servo
17	6027 153	1					DGD		SNAP RING, .435 ID
18	4531 259	1					DGD		SPRING, Transmission Accumulator
19	3743 013	1					DGD		SEAL, Piston Accumulator
20	3743 650	1					DGD		PISTON, Accumulator
21	3743 010	1					DGD		SEAL, Piston Accumulator
22	6031 410	1					DGD		O RING, Trans Kickdown Servo



KICKDOWN SERVO



LOW AND REVERSE SERVO



ACCUMULATOR PISTON AND SPRING

<b>JEEP WRANGLER (TJ)</b>				
SERIES	LINE	BODY	ENGINE	TRANSMISSION
H = Sport	J = Wrangler 4WD	77 = 93.4 WB	EPE, EP0 = 2.5L Power Tech	DGG, DGD = 32RH 3 Spd. Auto.
L = SE	U = Wrangler 4WD (RHD)		ERH, ER0 = 4.0L Power Tech	DDQ = 5 Spd. Manual
P = Sahara				DDD = 5 Speed HD Manual
				DG0 = Auto. Trans.
				DBB = Manual Trans.

AR = Use as required - = Non illustrated part # = New this model year

September 16, 2005

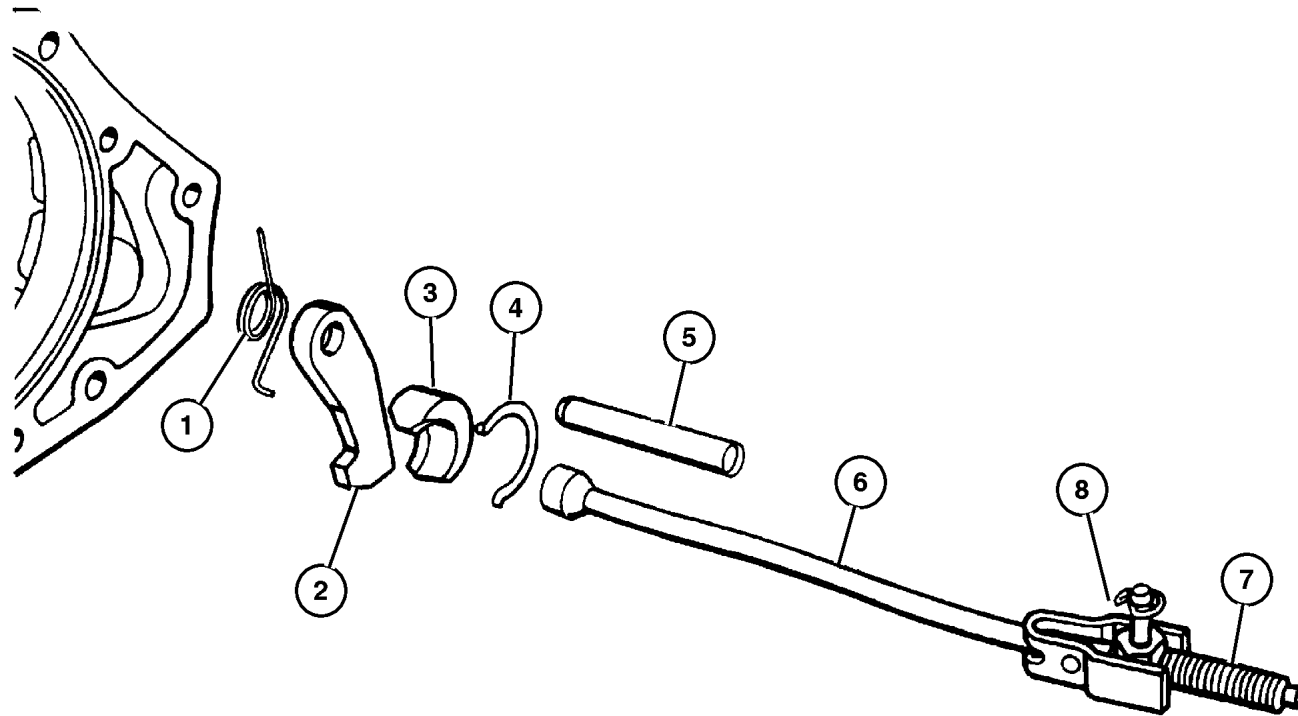
**Parking Sprag 30RH (DGD)  
Figure 30RH-730**

ITEM	PART NUMBER	QTY	LINE	SERIES	BODY	ENGINE	TRANS	TRIM	DESCRIPTION
------	-------------	-----	------	--------	------	--------	-------	------	-------------

NOTE; Sales Code

[DGD] = 3 Speed Automatic Transmission [30RH]

1	2466 909	1					DGD		SPRING, Parking Sprag
2	4471 415	1					DGD		SPRAG, Transmission Parking
3	2538 042	1					DGD		PLUG, Parking Sprag
4	2538 034	1					DGD		SNAP RING, Transmission
5	2466 892	1					DGD		SHAFT, Parking Sprag
6	2466 906	1					DGD		ROD, Parking Sprag
7									SPRING, Parking Sprag Return, (NOT SERVICED) (Not Serviced)
8	6035 256	1					DGD		SNAP RING, Rod



**JEEP WRANGLER (TJ)**

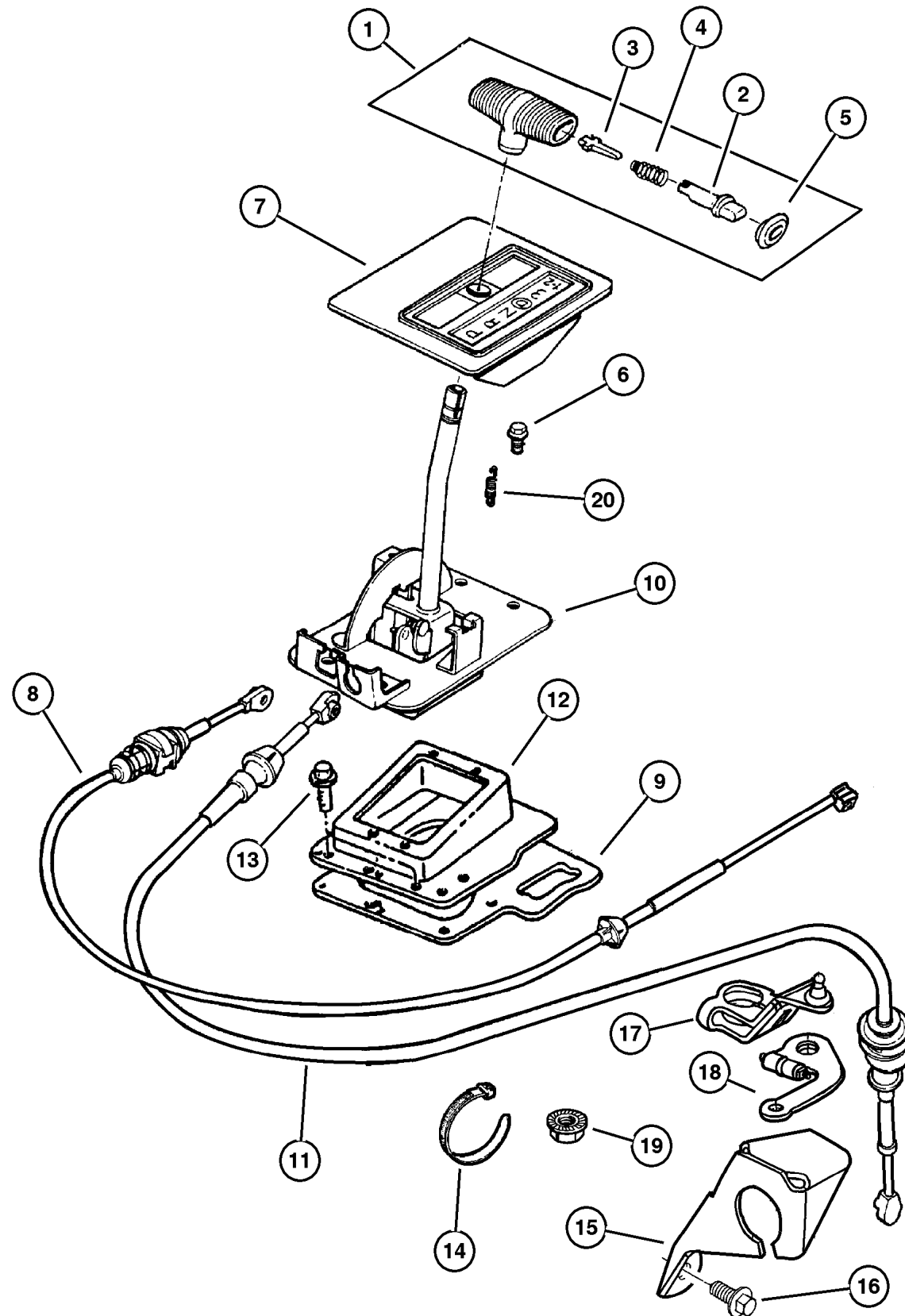
SERIES	LINE	BODY	ENGINE	TRANSMISSION
H = Sport	J = Wrangler 4WD	77 = 93.4 WB	EPE, EP0 = 2.5L Power Tech	DGG, DGD = 32RH 3 Spd. Auto.
L = SE	U = Wrangler 4WD (RHD)		ERH, ER0 = 4.0L Power Tech	DDQ = 5 Spd. Manual
P = Sahara				DDD = 5 Speed HD Manual
				DG0 = Auto. Trans.
				DBB = Manual Trans.

AR = Use as required - = Non illustrated part # = New this model year

September 16, 2005



**Gearshift Controls 30RH (DGD)  
Figure 30RH-1230**



ITEM	PART NUMBER	QTY	LINE	SERIES	BODY	ENGINE	TRANS	TRIM	DESCRIPTION
NOTE; Sales Code									
[DBB] = All Manual Transmissions									
[DGD] = 3 Speed Automatic Transmission [30RH]									
[DG0] = All Automatic Transmissions									
[EP0] = All 2.5L 4 Cylinder Gas Engines									
[ER0] = All 4.0 L 6 Cylinder Gas Engines									
1	5210 4028	1					DG0		HANDLE, Gearshift
2	5300 0211	1					DG0		BUTTON, Gearshift Knob
3	5300 0865	1					DG0		LEVER, Gearshift
4	5300 0866	1					DG0		SPRING, Button Return
5	5207 7561	1					DG0		CAP, Gearshift Handle Button
6	6501 648	4					DG0		SCREW, Hex Flange Head, M8x1.25x25.00
7									BEZEL AND DIAL, Gearshift Lever
	55115 570AB	1	J				DG0		
	55115 571AB	1	U				DG0		
8	5210 4144	1					DG0		CABLE, Park Interlock
9									SEAL, Shift Housing
	5300 0659	1	J				DG0		
		1	U				DG0		RHD
10									HOUSING, Shift Lever
	52078 551AB	1	J				DG0		
	52078 841AB	1	U				DG0		
11	5210 4142	1					DG0		CABLE, Shift
12	5300 0704	1					DG0		COVER, Gearshift
13	J400 1701	9					DBB		SCREW, Hex Self Tapping, .19-16x.50
14	4641 780	1				EP0, ER0	DG0		STRAP, Tie
15	5207 8255	1					DG0		BRACKET, Shift Cable
16									SCREW AND WASHER, Truss Head, .312-18x.750, (NOT SERVICED) (Not Serviced)
17	52079 168AB	1				EP0, ER0	DG0		LEVER, Manual Control
18	3681 227	1					DGD		LEVER, Throttle Valve
19	6028 114	1					DG0		NUT, Hex, .437-14
20									SPRING, Pawl Return, (NOT SERVICED) (Not Serviced)

**JEEP WRANGLER (TJ)**

SERIES	LINE	BODY	ENGINE	TRANSMISSION
H = Sport	J = Wrangler 4WD	77 = 93.4 WB	EPE, EP0 = 2.5L Power Tech	DGG, DGD = 32RH 3 Spd. Auto.
L = SE	U = Wrangler 4WD (RHD)		ERH, ER0 = 4.0L Power Tech	DDQ = 5 Spd. Manual
P = Sahara				DDD = 5 Speed HD Manual
				DG0 = Auto. Trans.
				DBB = Manual Trans.

AR = Use as required - = Non illustrated part # = New this model year

September 16, 2005

# Group – 32RH

## Automatic Transmission 3 Speed

### GROUP 32RH - Automatic Transmission 3 Speed

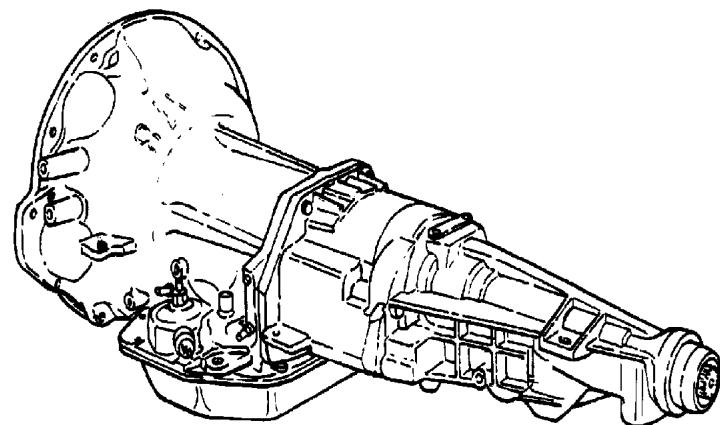


Illustration Title

Group-Fig. No.

#### Transmission Assembly

Transmission 32RH (DGG) ..... Fig. 32RH-110

#### Case and Extension

Case and Related Parts 32RH (DGG) ..... Fig. 32RH-210

#### Oil Pump

Oil Pump 32RH (DGG) ..... Fig. 32RH-310

#### Gear Train

Clutch, Front and Rear 32RH (DGG) ..... Fig. 32RH-410

Output Shaft 32RH (DGG) ..... Fig. 32RH-420

#### Bands, Reverse and Kickdown

Bands 32RH (DGG) ..... Fig. 32RH-510

#### Governor

Governor 32RH (DGG) ..... Fig. 32RH-610

#### Valve Body

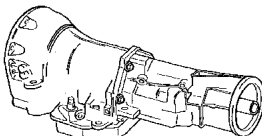
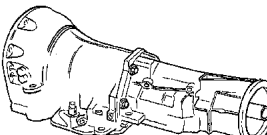

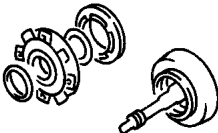
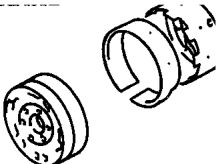
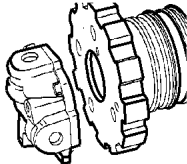
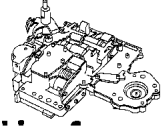
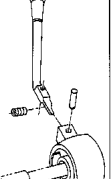
Valve Body 32RH (DGG) ..... Fig. 32RH-710

Servos 32RH (DGG) ..... Fig. 32RH-720

Parking Sprag 32RH (DGG) ..... Fig. 32RH-730

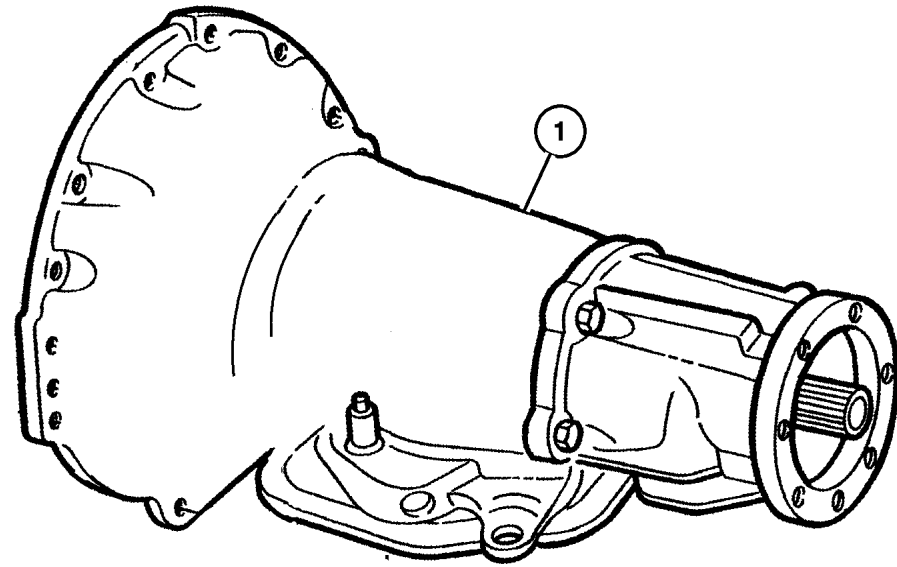
#### Gearshift Controls

Gearshift Controls 32RH (DGG) ..... Fig. 32RH-1230

<p><b>32RH-100</b> Transmission Assembly</p> 	<p><b>32RH-200</b> Case and Extension</p> 	<p><b>32RH-300</b> Oil Pump</p> 	<p><b>32RH-400</b> Gear Train</p> 
<p><b>32RH-500</b> Bands, Reverse and Kickdown</p> 	<p><b>32RH-600</b> Governor</p> 	<p><b>32RH-700</b> Valve Body</p> 	<p><b>32RH-1200</b> Gearshift Controls</p> 

Transmission 32RH (DGG)  
Figure 32RH-110

T67-110



ITEM	PART NUMBER	QTY	LINE	SERIES	BODY	ENGINE	TRANS	TRIM	DESCRIPTION
------	-------------	-----	------	--------	------	--------	-------	------	-------------

NOTE; Sales Code

[DGG] = 3 Speed Automatic Transmission [32RH]

1	5015 271AA	1					DGG		TRANSMISSION PACKAGE, 52119833AA(Package Contains 52119833AA Transmission, K4736596 Converter, K1949765 Bolts.)
---	------------	---	--	--	--	--	-----	--	---

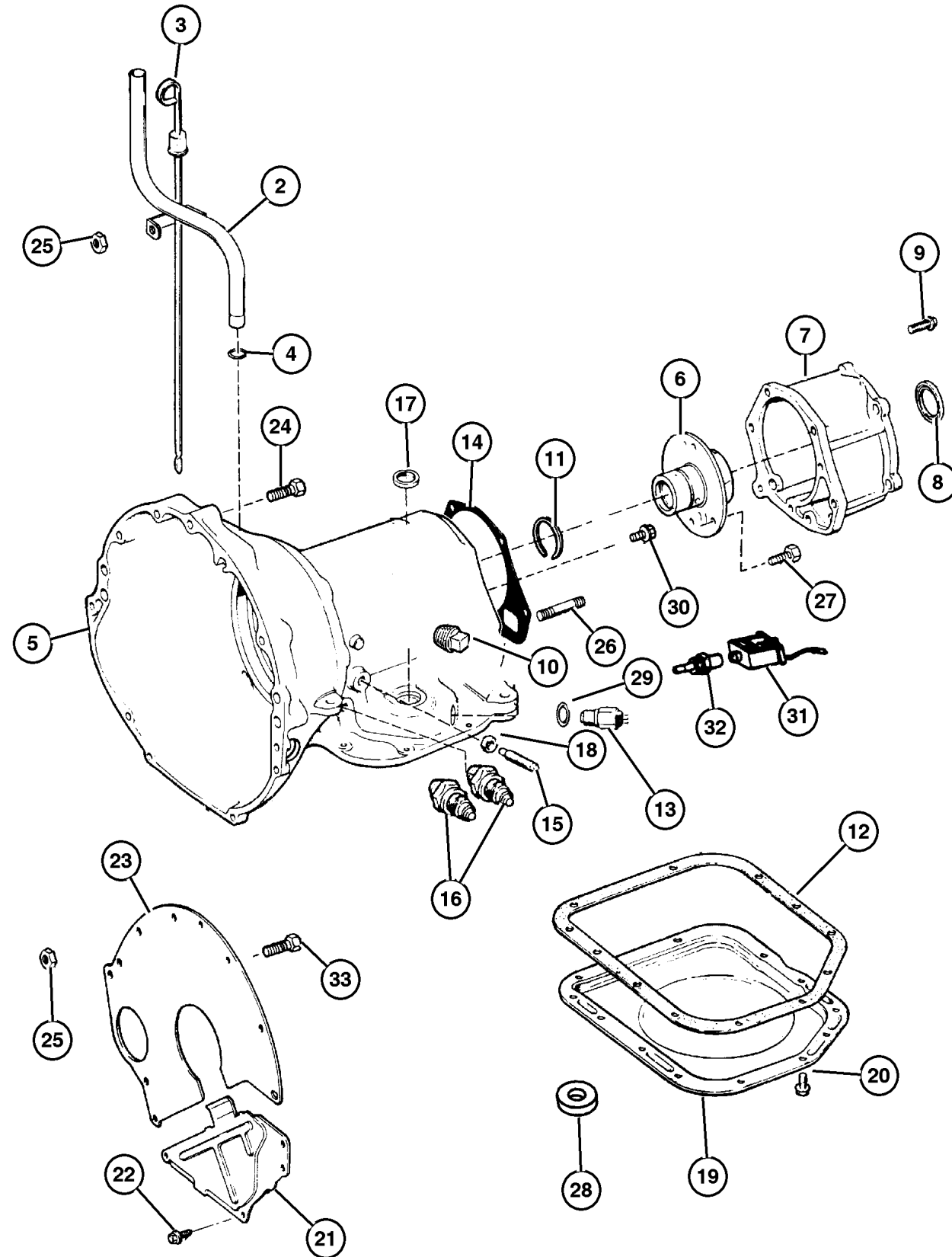
JEEP WRANGLER (TJ)

SERIES	LINE	BODY	ENGINE	TRANSMISSION
H = Sport	J = Wrangler 4WD	77 = 93.4 WB	EPE, EP0 = 2.5L Power Tech	DGG, DGD = 32RH 3 Spd. Auto.
L = SE	U = Wrangler 4WD (RHD)		ERH, ER0 = 4.0L Power Tech	DDQ = 5 Spd. Manual
P = Sahara				DDD = 5 Speed HD Manual
				DG0 = Auto. Trans.
				DBB = Manual Trans.

AR = Use as required - = Non illustrated part # = New this model year

September 16, 2005

**Case and Related Parts 32RH (DGG)  
Figure 32RH-210**



ITEM	PART NUMBER	QTY	LINE	SERIES	BODY	ENGINE	TRANS	TRIM	DESCRIPTION
-1	4883 957AD-	1					DGG		SEAL AND GASKET PACKAGE, Transmission
2	52104 243AC	1				ER0	DG0		TUBE, Transmission Oil Filler
3	52104 244AB	1				EP0	DG0		INDICATOR, Transmission Fluid Level
3	52104 240AD	1				ER0	DG0		
4	52118 629AB	1				EP0, ER0	DG0		SEAL, Oil Filler Tube
5	5211 8344	1					DGG		CASE, Transmission
6	4431 433	1					DGG		SUPPORT, Output Shaft
7	5211 8076	1					DGG		ADAPTER, Transmission
8	4269 956	1					DGG		SEAL, Adapter
9	6030 849	5					DGG		SCREW AND WASHER, Hex Head Locking, .375-16x1.375
10	6028 095	1					DGG		PLUG, Pressure Check
11	6033 480	1					DGG		SNAP RING, Reverse Drum
12	4295 875AB	1					DGG		GASKET, Oil Pan
13	56028 181AB	1					DGG		SWITCH, Neutral, Safety, Back Up
14	2466 954	1					DGG		GASKET, Transmission Case
15	6036 141AA	1					DGG		SCREW
16	5202 8629	1					DGG		CONNECTOR, Oil Cooler Tube, .375 Tube x .25 Thread
17	4505 098	1					DGG		SEAL, Manual Shift Valve, 1.25 OD
18	0124 934	1					DGG		NUT, Hex Jam, .50-20
19	5211 8802	1					DGG		PAN, Transmission Oil
20	4723 548	14					DGG		SCREW AND WASHER, Hex Head, .312-18x.625
21	52118 136AB	1				ER0	DG0		COVER, Converter
22	6035 031	3				ER0	DG0		SCREW AND WASHER, Hex Head, .312-18x.625
23	J323 7847	1				ER0	DG0		SPACER, Clutch Housing
24	J400 4370	2				ER0	DG0		BOLT AND WASHER, Hex Head, .437-14x2.75
25	J021 9422	2				ER0	DG0		NUT, Hex
26	6033 157	1					DGG		STUD, .375-16x2.312
27	6033 479	6					DGG		BOLT, Hex Head, .25-28x1-5/8

NOTE; Sales Code

[DGG] = 3 Speed Automatic Transmission [32RH]

[DG0] = All Automatic Transmissions

[EP0] = All 2.5L 4 Cylinder Gas Engines

[ER0] = All 4.0 L 6 Cylinder Gas Engines

**JEEP WRANGLER (TJ)**

SERIES  
H = Sport  
L = SE  
P = Sahara

LINE  
J = Wrangler 4WD  
U = Wrangler 4WD (RHD)

BODY  
77 = 93.4 WB

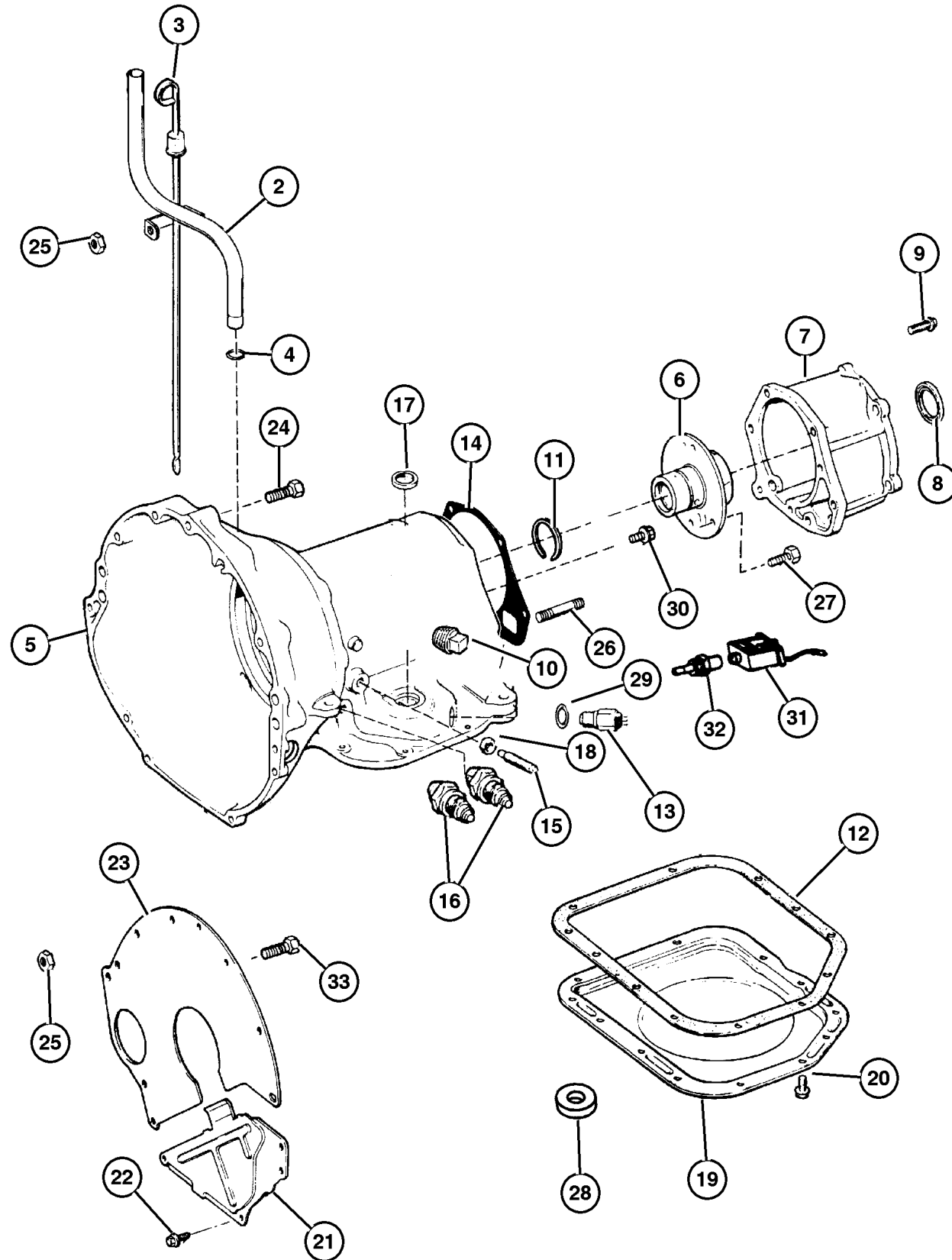
ENGINE  
EPE, EP0 = 2.5L Power Tech  
ERH, ER0 = 4.0L Power Tech

TRANSMISSION  
DGG, DGD = 32RH 3 Spd. Auto.  
DDQ = 5 Spd. Manual  
DDD = 5 Speed HD Manual  
DG0 = Auto. Trans.  
DBB = Manual Trans.

AR = Use as required - = Non illustrated part # = New this model year

September 16, 2005

Case and Related Parts 32RH (DGG)  
Figure 32RH-210



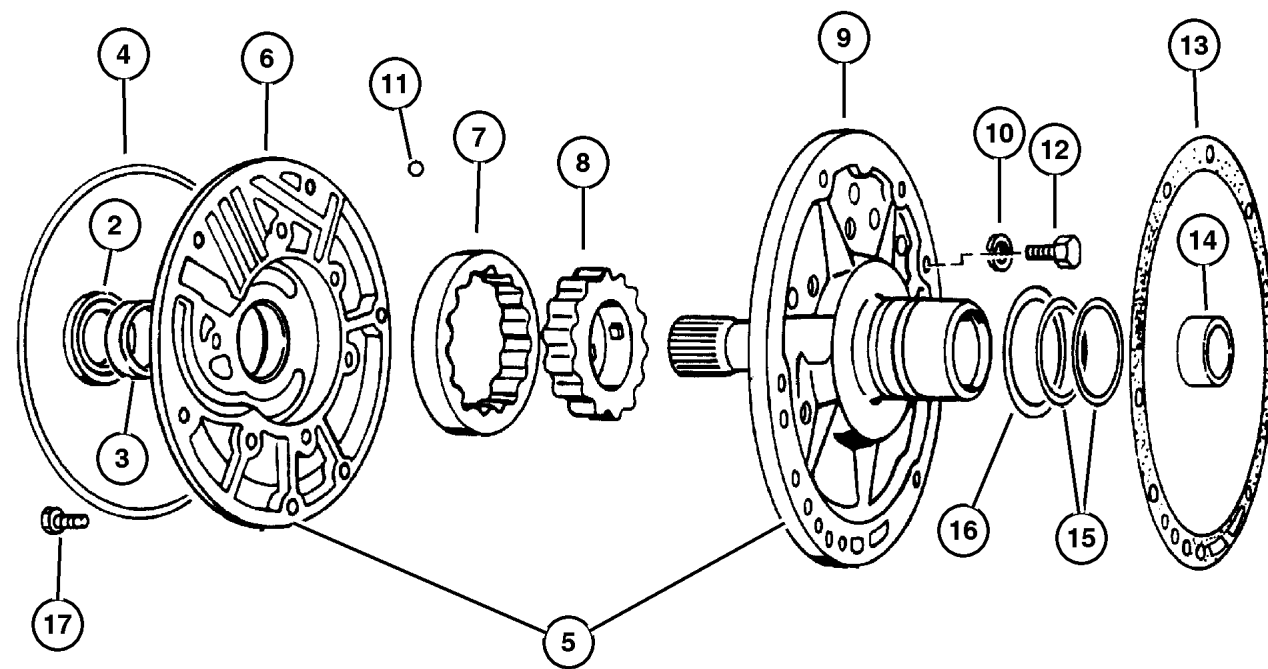
ITEM	PART NUMBER	QTY	LINE	SERIES	BODY	ENGINE	TRANS	TRIM	DESCRIPTION
28	3681 601	1					DGG		MAGNET, Transmission
29	2408 143	1					DGG		WASHER, Switch
30	6033 616	5					DGG		SCREW, Hex Flange Head, .25-28x.875
31	5211 8595	1					DGG		SOLENOID, Transmission
32	5603 8235	1					DGG		CONNECTOR, Wiring
33	0153 371	2				ER0	DG0		BOLT, Hex Head, .375-16x2.25

**JEEP WRANGLER (TJ)**  
 SERIES LINE BODY ENGINE TRANSMISSION  
 H = Sport J = Wrangler 4WD 77 = 93.4 WB EPE, EP0 = 2.5L Power Tech DGG, DGD = 32RH 3 Spd. Auto.  
 L = SE U = Wrangler 4WD (RHD) ERH, ER0 = 4.0L Power Tech DDQ = 5 Spd. Manual  
 P = Sahara DDD = 5 Speed HD Manual  
 DG0 = Auto. Trans.  
 DBB = Manual Trans.

AR = Use as required - = Non illustrated part # = New this model year

September 16, 2005

**Oil Pump 32RH (DGG)  
Figure 32RH-310**



ITEM	PART NUMBER	QTY	LINE	SERIES	BODY	ENGINE	TRANS	TRIM	DESCRIPTION
Note; Sales Code									
[DGG] = 3 Speed Automatic Transmission [32RH]									
-1	4713 108AB-	1					DGG		GASKET AND SEAL PACKAGE, Transmission Oil Pump
2	4412 475	1					DGG		SEAL, Impeller Hub, 57.25mm OD
3	1853 595	1					DGG		BUSHING, Front Pump
4	2204 709	1					DGG		SEAL, Front Pump Housing
5	4778 552AB	1					DGG		PUMP, Transmission Oil
6									HOUSING, Pump, (NOT SERVICED)
									(Not Serviced)
7									ROTOR, Oil Pump, (NOT SERVICED) (Not Serviced)
8									ROTOR, Oil Pump, (NOT SERVICED) (Not Serviced)
9									SHAFT, Oil Pump, (NOT SERVICED) (Not Serviced)
10									WASHER, (NOT SERVICED) (Not Serviced)
11									BALL, Valve Body Check, (NOT SERVICED) (Not Serviced)
12	0179 815	6					DGG		SCREW, Hex Head, .312-18x.687
13	5211 8266	1					DGG		GASKET, Transmission Oil Pump
14	4028 545	1					DGG		BUSHING, Reaction Shaft
15	4471 874	2					DGG		SEAL, Ring Reaction Support, 2 1/16 O.D.
16	4617 786	1					DGG		THRUST WASHER, Front Clutch
17	6023 943	6					DGG		SCREW AND WASHER, Hex Flange Head, .312-18x1.375

**JEEP WRANGLER (TJ)**

SERIES	LINE	BODY	ENGINE	TRANSMISSION
H = Sport	J = Wrangler 4WD	77 = 93.4 WB	EPE, EP0 = 2.5L Power Tech	DGG, DGD = 32RH 3 Spd. Auto.
L = SE	U = Wrangler 4WD (RHD)		ERH, ER0 = 4.0L Power Tech	DDQ = 5 Spd. Manual
P = Sahara				DDD = 5 Speed HD Manual
				DG0 = Auto. Trans.
				DBB = Manual Trans.

AR = Use as required - = Non illustrated part # = New this model year

September 16, 2005

**Clutch, Front and Rear 32RH (DGG)  
Figure 32RH-410**

ITEM	PART NUMBER	QTY	LINE	SERIES	BODY	ENGINE	TRANS	TRIM	DESCRIPTION
NOTE; Sales Code									
[DGG] = 3 Speed Automatic Transmission [32RH]									
-1	5252 926AB-	1					DGG		SEAL PACKAGE, Transmission Clutch
2	4531 285AB	1					DGG		RETAINER AND BUSHING, Transmission Front Clutch
3	3515 176	1					DGG		SEAL, Front Clutch Piston
4	4058 487AB	1					DGG		SEAL, Front Piston Clutch
5	4617 154AB	1					DGG		PISTON, Clutch
-6	0147 483	1					DGG		CHECK BALL, Dia-.187
7	3515 054	1					DGG		SPRING, Front Clutch
8	4617 516AC	1					DGG		RETAINER, Transmission Front Clutch Piston Spring
-9	0147 483	1					DGG		CHECK BALL, Dia-.187
10	1638 461	2					DGG		SNAP RING
11	4617 362	4					DGG		DISC, Direct Clutch
12	3410 571	1					DGG		SNAP RING
13	4617 176	1					DGG		PLATE, Transmission Clutch Reaction
14	1942 403AC	4					DGG		PLATE, Clutch Separator
15	4505 199	1					DGG		RETAINER, Transmission Rear Clutch
-16	0147 483	1					DGG		CHECK BALL, Dia-.187
17	6022 859	1					DGG		SNAP RING, .890625
18	4028 333	1					DGG		SEAL, Rear Clutch, 1.50 ODx.009 Thk
19	4617 786	1					DGG		THRUST WASHER, Front Clutch
20	1401 221AB	1					DGG		SEAL, Input Shaft
21	4505 189	1					DGG		INPUT SHAFT, Transmission
22	4713 880	4					DGG		DISC, Clutch
23	4130 761	1					DGG		SNAP RING
-24	4539 121	1					DGG		SNAP RING, Rear Clutch, .076
-25	4539 123	1					DGG		SNAP RING, Rear Clutch, .095
-26	4539 122	1					DGG		SNAP RING, Rear Clutch, .098
-27	4539 124	1					DGG		SNAP RING, Rear Clutch, .107
28	4617 176	1					DGG		PLATE, Transmission Clutch Reaction
29	1942 403AB	3					DGG		PLATE, Clutch Separator
30	2466 281	1					DGG		PLATE, Clutch Pressure
31	2466 283	1					DGG		SPRING, Rear Clutch
32	4728 487	1					DGG		SPRING, Rear Clutch Piston
33	2538 510	1					DGG		SEAL, Rear Clutch Piston

**JEEP WRANGLER (TJ)**

SERIES  
H = Sport  
L = SE  
P = Sahara

LINE  
J = Wrangler 4WD  
U = Wrangler 4WD (RHD)

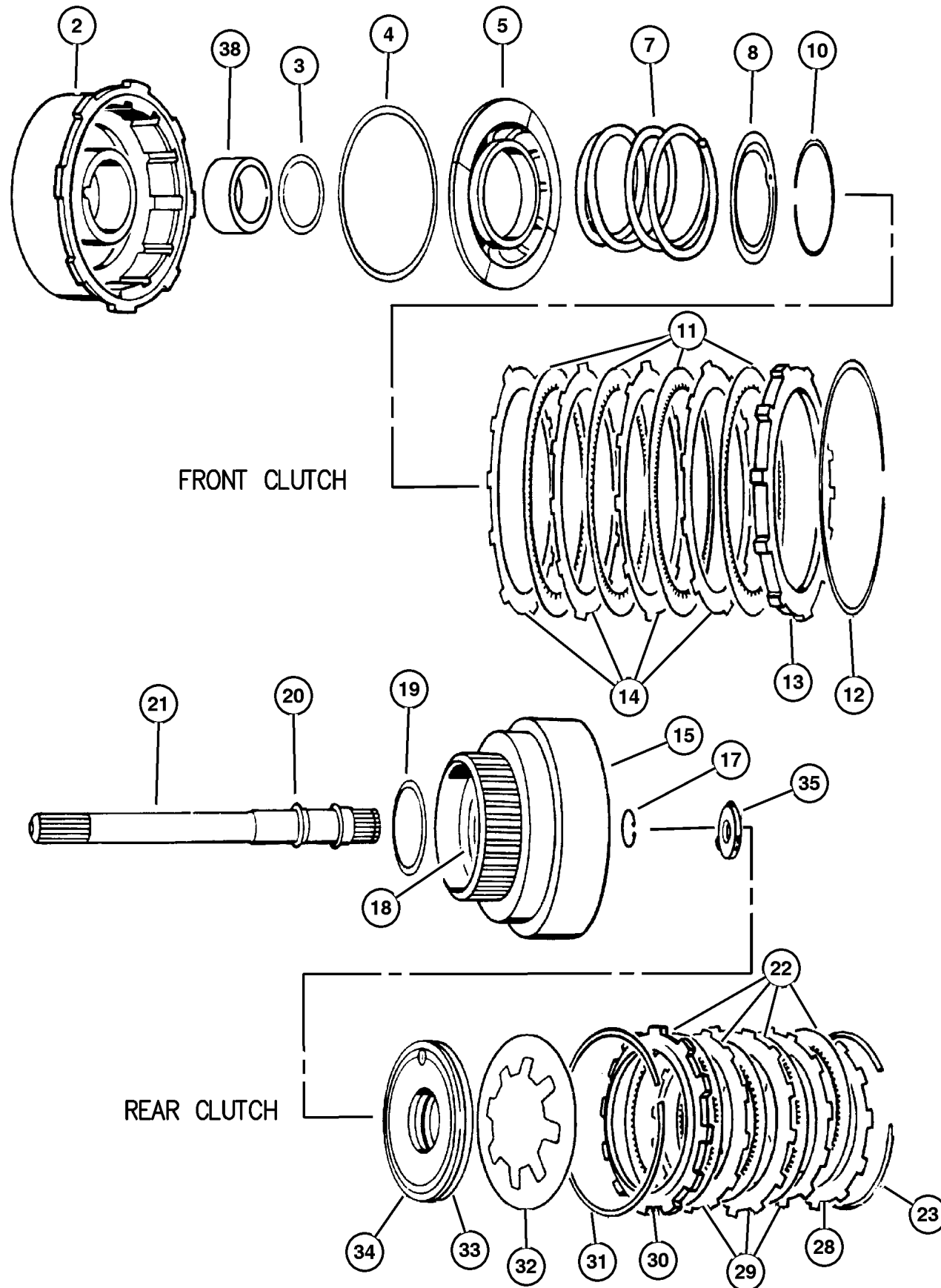
BODY  
77 = 93.4 WB

ENGINE  
EPE, EP0 = 2.5L Power Tech  
ERH, ER0 = 4.0L Power Tech

TRANSMISSION  
DGG, DGD = 32RH 3 Spd. Auto.  
DDQ = 5 Spd. Manual  
DDD = 5 Speed HD Manual  
DGO = Auto. Trans.  
DDB = Manual Trans.

AR = Use as required - = Non illustrated part # = New this model year

September 16, 2005



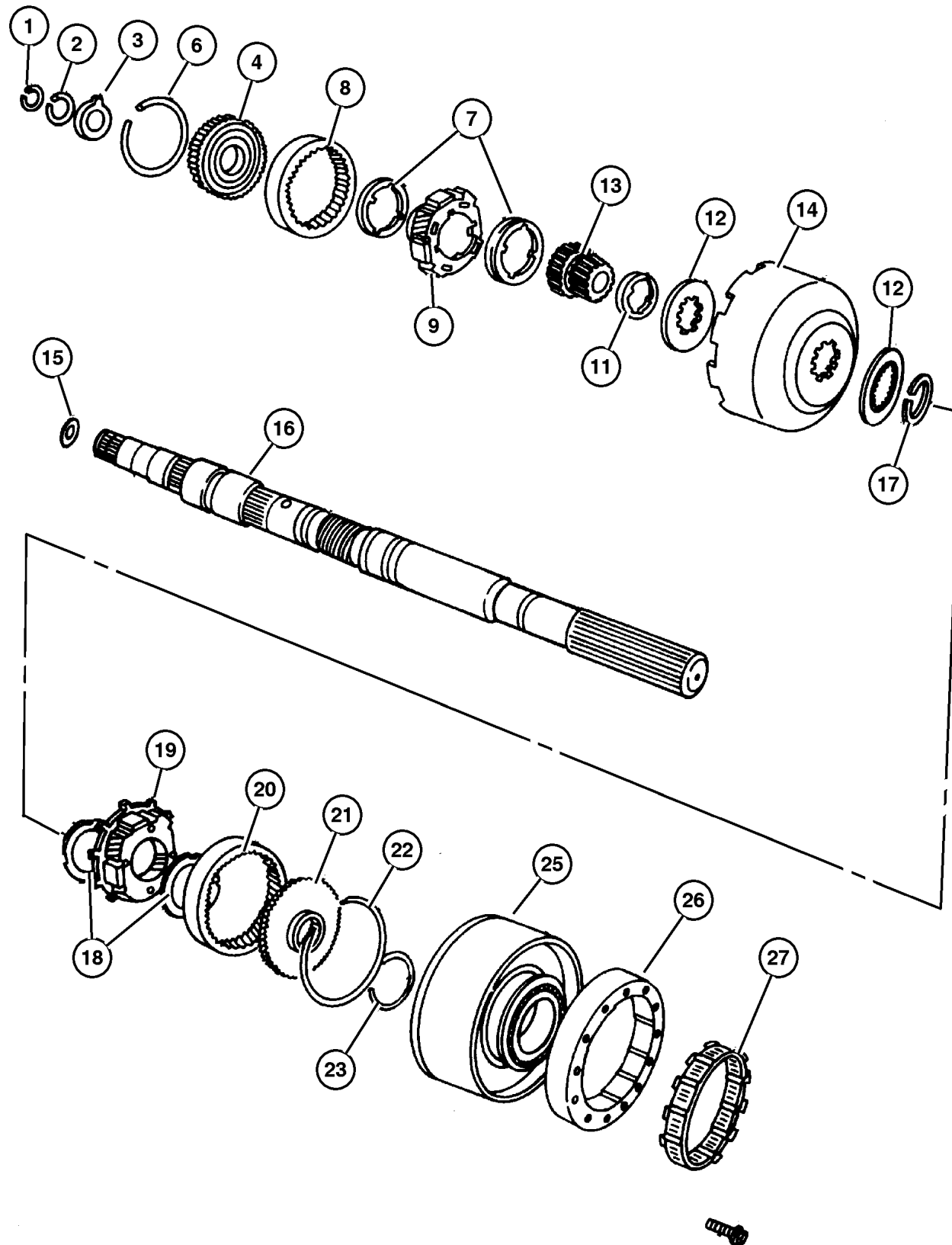
FRONT CLUTCH

REAR CLUTCH





Output Shaft 32RH (DGG)  
Figure 32RH-420



ITEM	PART NUMBER	QTY	LINE	SERIES	BODY	ENGINE	TRANS	TRIM	DESCRIPTION
NOTE; Sales Code									
[DGG] = 3 Speed Automatic Transmission [32RH]									
1	6026 289	1					DGG		SNAP RING, .946 ID
2	6030 576	1					DGG		SNAP RING, Annulus Gear, 1.375 ID
3	3681 969	1					DGG		THRUST WASHER, Annulus Gear
4	4617 774	1					DGG		SUPPORT, Annulus Gear
-5	6030 576	1					DGG		SNAP RING, Annulus Gear, 1.375 ID
6	6035 238	1					DGG		SNAP RING
7	4130 518	2					DGG		THRUST WASHER, Planetary
									Carrier
8	4130 512	1					DGG		GEAR, Front Annulus
9	4130 514	1					DGG		CARRIER, Planetary Pinion
-10	3681 949	8					DGG		THRUST WASHER, Planet Pinion
11	4130 736	1					DGG		SPACER, Sun Gear
12	4471 566	2					DGG		PLATE, Transmission Module
13	4130 685	1					DGG		GEAR, Sun
14	4531 288	1					DGG		SHELL, Sun Gear
15	4505 188	1					DGG		PLATE, Transmission Module
16	4617 320	1					DGG		MAINSHAFT, Transmission
17	1942 439	1					DGG		SNAP RING, Sun Gear Shell
18	3681 935	1					DGG		THRUST WASHER, Planetary
									Carrier
19	4431 438	1					DGG		CARRIER, Planetary Pinion
20	3743 184	1					DGG		GEAR, Rear Annulus
21	3515 501	1					DGG		SUPPORT, Annulus Gear
22	1942 444	1					DGG		SNAP RING
23	6033 480	1					DGG		SNAP RING, Reverse Drum
-24	6033 616	5					DGG		SCREW, Hex Flange Head, .25-28x.875
25	4637 956	1					DGG		DRUM PACKAGE, Transmission
26	4431 690	1					DGG		CAM, Overrunning Clutch
27	4431 432	1					DGG		CLUTCH, Overrunning

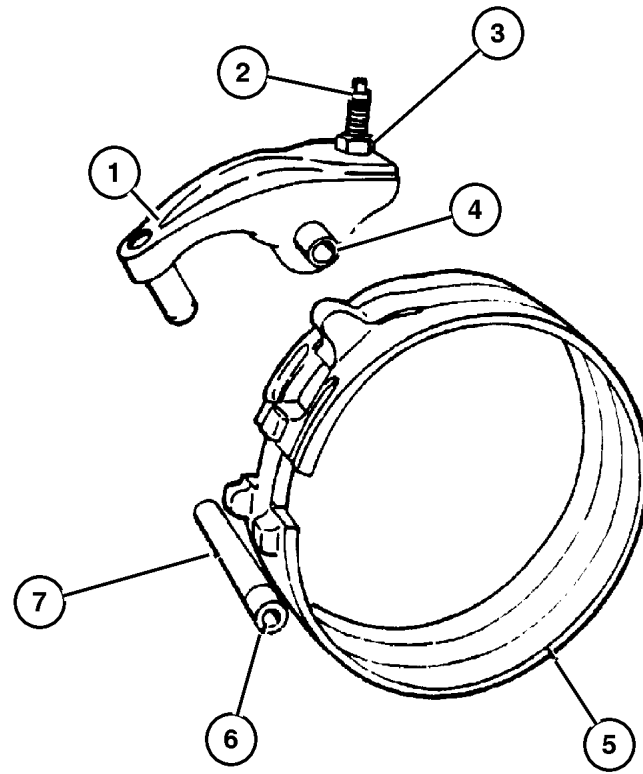
JEEP WRANGLER (TJ)

SERIES	LINE	BODY	ENGINE	TRANSMISSION
H = Sport	J = Wrangler 4WD	77 = 93.4 WB	EPE, EP0 = 2.5L Power Tech	DGG, DGD = 32RH 3 Spd. Auto.
L = SE	U = Wrangler 4WD (RHD)		ERH, ER0 = 4.0L Power Tech	DDQ = 5 Spd. Manual
P = Sahara				DDD = 5 Speed HD Manual
				DG0 = Auto. Trans.
				DBB = Manual Trans.

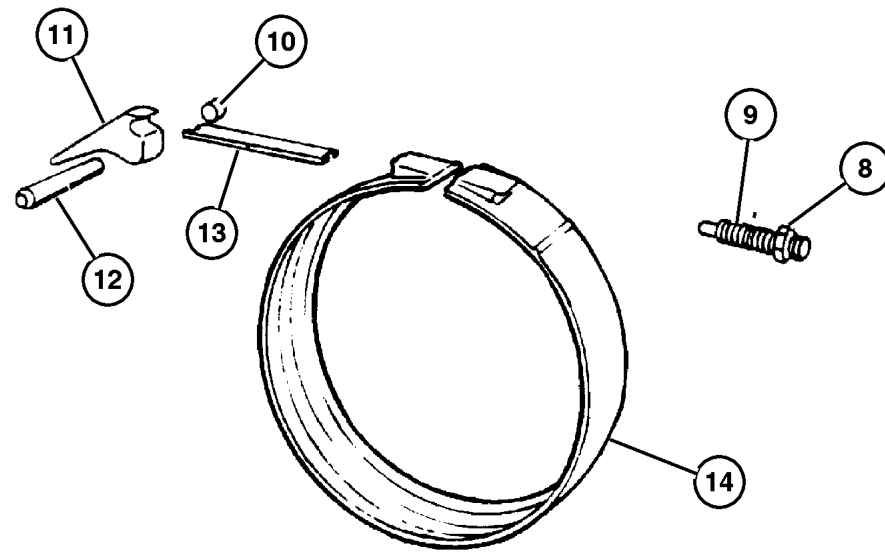
AR = Use as required - = Non illustrated part # = New this model year

September 16, 2005

**Bands 32RH (DGG)  
Figure 32RH-510**



REVERSE BAND



KICKDOWN BAND

ITEM	PART NUMBER	QTY	LINE	SERIES	BODY	ENGINE	TRANS	TRIM	DESCRIPTION
NOTE; Sales Code									
[DGG] = 3 Speed Automatic Transmission [32RH]									
1	4202 764AB	1					DGG		LEVER, Reverse Band
2	2538 472	1					DGG		SCREW, Trans Reverse Band Adjusting, .375-24-1.88
3	0114 942	1					DGG		NUT, Hex, .375-24
4	3410 102	1					DGG		SHAFT, Reverse Band
5	4431 406	1					DGG		BAND, Reverse
6	6030 657	1					DGG		O RING, Steering Gear
7	3410 102	1					DGG		SHAFT, Reverse Band
8	0124 934	1					DGG		NUT, Hex Jam, .50-20
9	6036 141AA	1					DGG		SCREW
10									PLUG, (NOT SERVICED) (Not Serviced)
11	2124 666	1					DGG		LEVER, Kickdown
12	4531 181	1					DGG		SHAFT, Band Lever
13	3515 084	1					DGG		STRUT, Kickdown Band
14	4617 849	1					DGG		BAND, Kickdown

**JEEP WRANGLER (TJ)**

SERIES	LINE	BODY	ENGINE	TRANSMISSION
H = Sport	J = Wrangler 4WD	77 = 93.4 WB	EPE, EP0 = 2.5L Power Tech	DGG, DGD = 32RH 3 Spd. Auto.
L = SE	U = Wrangler 4WD (RHD)		ERH, ER0 = 4.0L Power Tech	DDQ = 5 Spd. Manual
P = Sahara				DDD = 5 Speed HD Manual
				DG0 = Auto. Trans.
				DBB = Manual Trans.

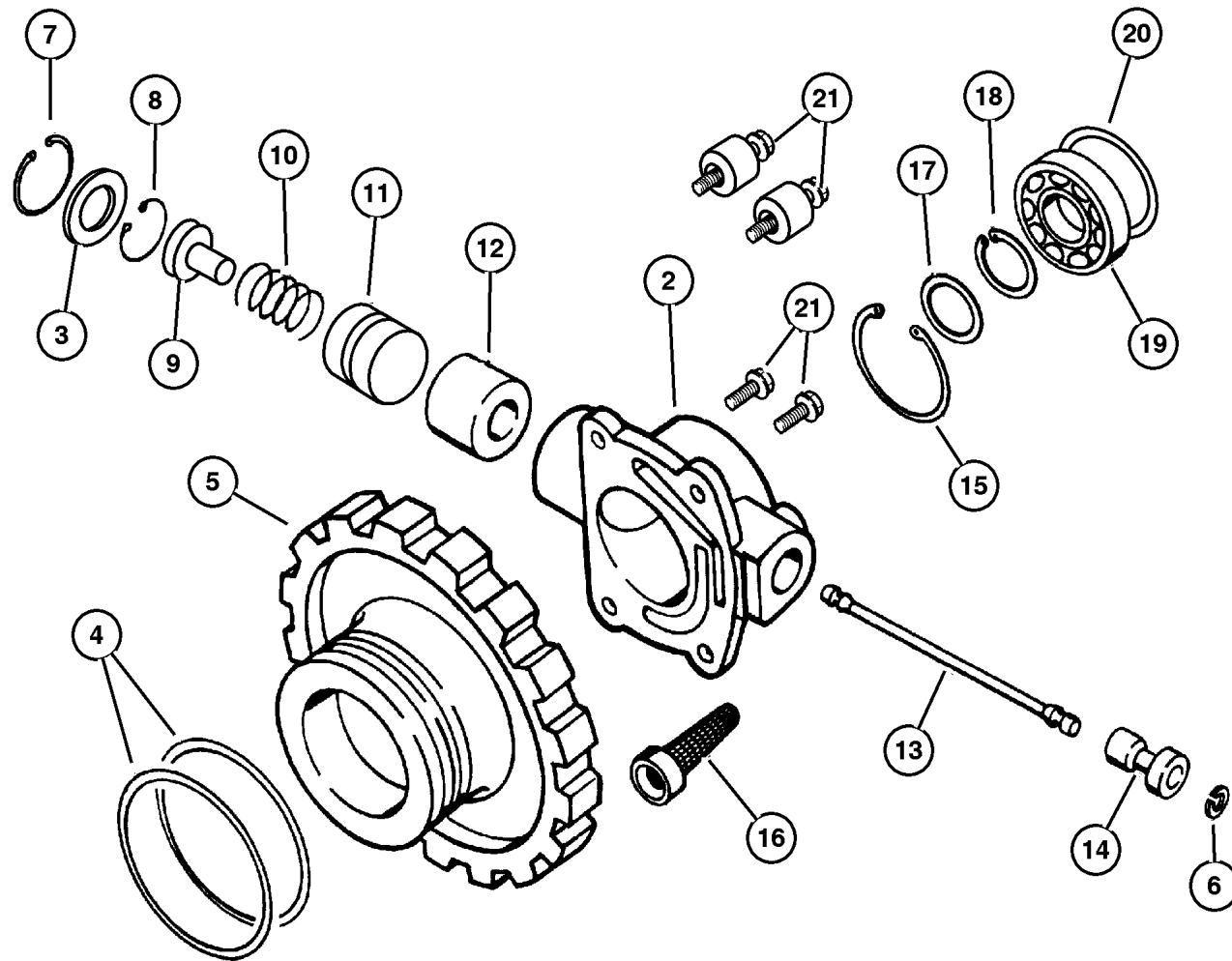
**Governor 32RH (DGG)  
Figure 32RH-610**

ITEM	PART NUMBER	QTY	LINE	SERIES	BODY	ENGINE	TRANS	TRIM	DESCRIPTION
------	-------------	-----	------	--------	------	--------	-------	------	-------------

NOTE; Sales Code

[DGG] = 3 Speed Automatic Transmission [32RH]

-1	4728 460	1					DGG		BODY PACKAGE, Governor
2									BODY, Governor, (NOT SERVICED) (Not Serviced)
3									RETAINER, (NOT SERVICED) (Not Serviced)
4	1942 109	1					DGG		SEAL, Governor
5	3743 518	1					DGG		SUPPORT, Governor
6	1638 461	2					DGG		SNAP RING
7	6031 392	1					DGG		SNAP RING, Brake Master Cylinder
8	6034 723	1					DGG		SNAP RING, Governor, .675 x .025
9	4617 883	1					DGG		WEIGHT KIT, Transmission
10									Governor SPRING, Governor Valve, ., (NOT SERVICED) (Not Serviced)
11									WEIGHT, Governor, (NOT SERVICED) (Not Serviced)
12									WEIGHT, Governor, (NOT SERVICED) (Not Serviced)
13	1556 082	1					DGG		SHAFT, Governor
14	4617 064	1					DGG		VALVE, Governor
15	6027 271	1					DGG		SNAP RING, Governor, 1.156
16	3743 519	1					DGG		FILTER, Transmission Governor
17	4617 799	1					DGG		SPACER, Output Shaft
18	6025 668	1					DGG		SNAP RING, 1.150" Free Diameter
19	4130 537	1					DGG		BEARING, Output Shaft
20	6032 739	1					DGG		O RING, Output Shaft Bearing, Transmission
21	6031 613	4					DGG		BOLT, Hex Head, .25-20x.68
-22	4883 956AC-	1					DGG		GASKET AND SEAL PACKAGE, Governor



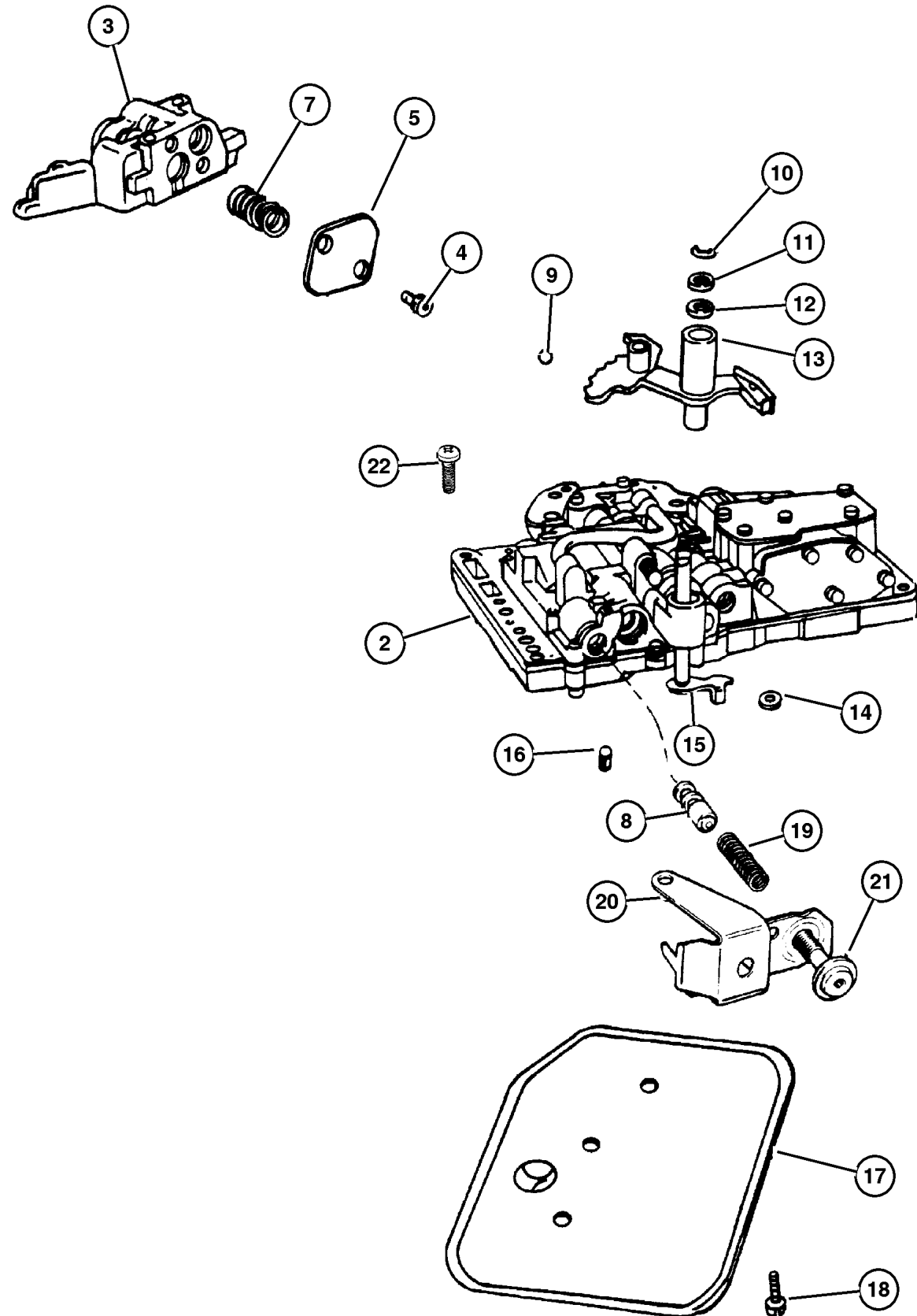
**JEEP WRANGLER (TJ)**

SERIES	LINE	BODY	ENGINE	TRANSMISSION
H = Sport	J = Wrangler 4WD	77 = 93.4 WB	EPE, EP0 = 2.5L Power Tech	DGG, DGD = 32RH 3 Spd. Auto.
L = SE	U = Wrangler 4WD (RHD)		ERH, ER0 = 4.0L Power Tech	DDQ = 5 Spd. Manual
P = Sahara				DDD = 5 Speed HD Manual
				DG0 = Auto. Trans.
				DBB = Manual Trans.

AR = Use as required - = Non illustrated part # = New this model year

September 16, 2005

**Valve Body 32RH (DGG)  
Figure 32RH-710**



ITEM	PART NUMBER	QTY	LINE	SERIES	BODY	ENGINE	TRANS	TRIM	DESCRIPTION
------	-------------	-----	------	--------	------	--------	-------	------	-------------

NOTE; Sales Code

[DGG] = 3 Speed Automatic Transmission [32RH]

[DGO] = All Automatic Transmissions

[EP0] = All 2.5L 4 Cylinder Gas Engines

[ER0] = All 4.0 L 6 Cylinder Gas Engines

-1	4713 105AC-	1					DGG		GASKET AND SEAL PACKAGE, Valve Body
2	5211 8617	1					DGG		BODY, Transfer Plate
3									VALVE, Valve Body, (NOT SERVICED) (Not Serviced)
4									SCREW, (NOT SERVICED) (Not Serviced)
5									PLATE, (NOT SERVICED) (Not Serviced)
-6									SCREW, (NOT SERVICED) (Not Serviced)
7									SPRING, Lock Up Valve, (NOT SERVICED) (Not Serviced)
8	4505 036	1					DGG		VALVE, Trans Lockup Switch
9	0147 488	1					DGG		BALL, Manual Lever Detent, .343 Diameter
10	6035 208	2					DGG		SNAP RING
11	2538 062	1					DGG		WASHER, Manual Valve Lever
12	2466 548	1					DGG		SEAL, Valve Lever Shift
13	4617 439	1					DGG		LEVER, Manual Valve
14	4505 098	1					DGG		SEAL, Manual Shift Valve, 1.25 OD
15	52078 723AB	1				EP0, ER0	DGO		LEVER, Throttle Valve
16	3878 313	1					DGG		SCREEN, Transmission Regulator Valve
17	3515 996	1					DGG		FILTER, Valve Body
18	6033 826	3					DGG		SCREW AND WASHER, Oil Filter Mounting, Fillester Head .190-24x2.500
19	4130 492	1					DGG		SPRING, Switch Valve
20									BRACKET, (NOT SERVICED) (Not Serviced)
21	6030 609	1					DGG		SCREW, Cap Head Lock, .312-24x1.25
22									SCREW, .190-24 x 1", (NOT SERVICED) (Not Serviced)

**JEEP WRANGLER (TJ)**

SERIES  
H = Sport  
L = SE  
P = Sahara

LINE  
J = Wrangler 4WD  
U = Wrangler 4WD (RHD)

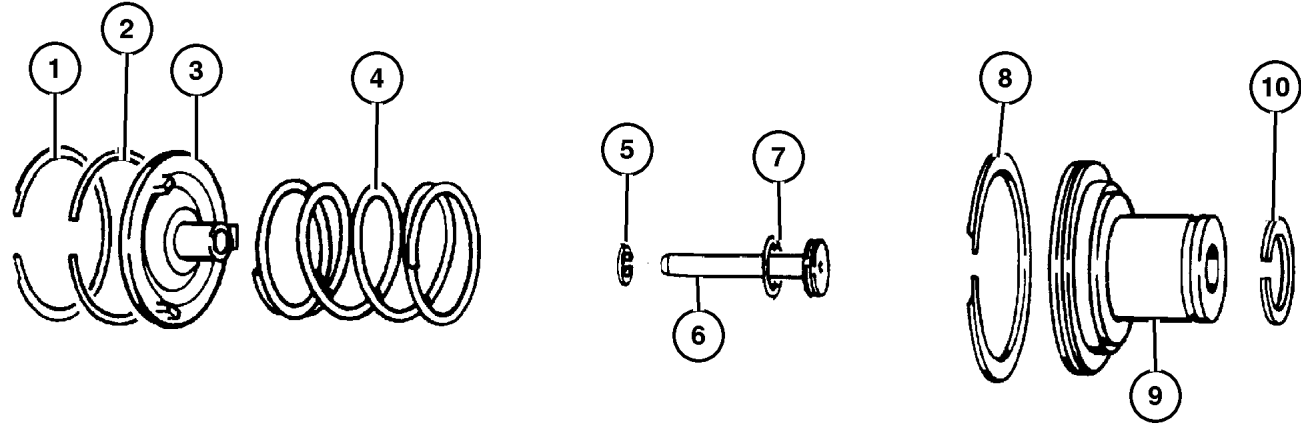
BODY  
77 = 93.4 WB

ENGINE  
EPE, EP0 = 2.5L Power Tech  
ERH, ER0 = 4.0L Power Tech

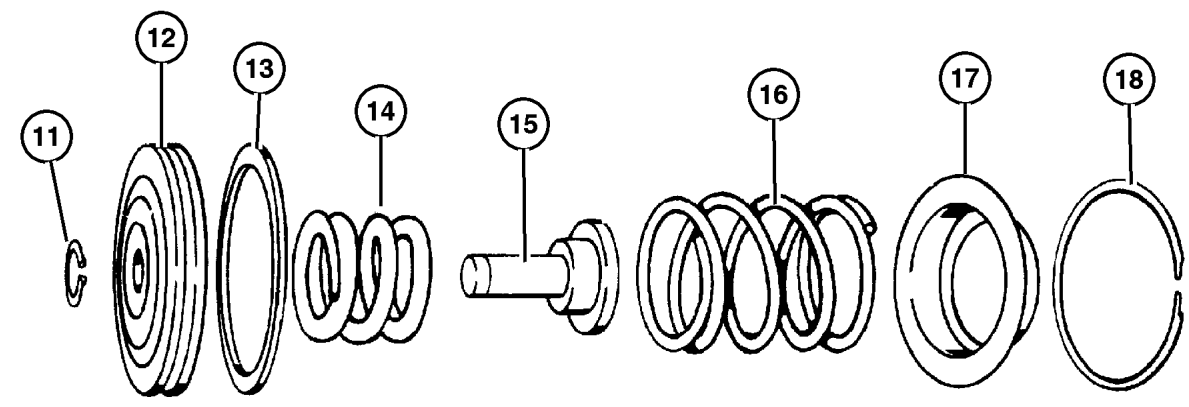
TRANSMISSION  
DGG, DGD = 32RH 3 Spd. Auto.  
DDQ = 5 Spd. Manual  
DDD = 5 Speed HD Manual  
DGO = Auto. Trans.  
DBB = Manual Trans.

Servos 32RH (DGG)  
Figure 32RH-720

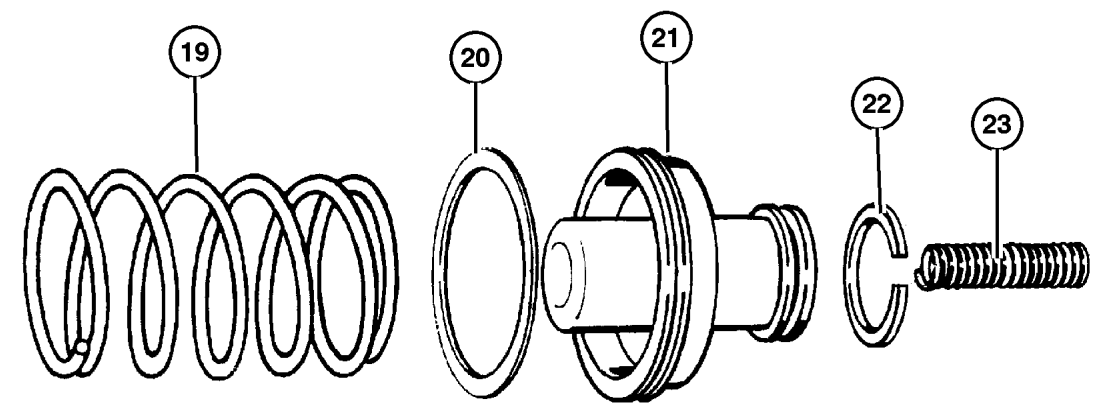
ITEM	PART NUMBER	QTY	LINE	SERIES	BODY	ENGINE	TRANS	TRIM	DESCRIPTION
NOTE; Sales Code									
[DGG] = 3 Speed Automatic Transmission [32RH]									
1	6028 863	1					DGG		SNAP RING, Kickdown, 2.377
2	4295 966	1					DGG		SEAL, Servo Guide
3	3410 332	1					DGG		GUIDE, Kickdown Servo
4	4531 119	1					DGG		SPRING, Kickdown Servo Piston
5	6031 392	1					DGG		SNAP RING, Brake Master Cylinder
6	4058 780	1					DGG		ROD, Kickdown Servo Piston
7	6028 864	1					DGG		O RING, Kick Down Servo
8	4295 966	1					DGG		SEAL, Servo Guide
9	4058 777	1					DGG		PISTON, Kickdown Servo
10	3743 033	1					DGG		SEAL, Kickdown Servo
11	6027 153	1					DGG		SNAP RING, .435 ID
12	5211 8744	1					DGG		PISTON, Reverse Servo
13	4202 864	1					DGG		SEAL, Reverse Servo Piston
14	2801 274	1					DGG		SPRING, Reverse Servo Piston
15	52118 740AB	1					DGG		PLUG, Reverse Servo Piston
16	2801 274	1					DGG		SPRING, Reverse Servo Piston
17	2464 463	1					DGG		RETAINER, Transmission Rear Clutch
18	2464 464	1					DGG		SNAP RING
19	3515 114	1					DGG		SPRING, Accumulator
20	3743 013	1					DGG		SEAL, Piston Accumulator
21	3743 650	1					DGG		PISTON, Accumulator
22	3743 010	1					DGG		SEAL, Piston Accumulator
23	3515 114	1					DGG		SPRING, Accumulator



KICKDOWN SERVO



LOW AND REVERSE SERVO



<b>JEEP WRANGLER (TJ)</b>				
SERIES	LINE	BODY	ENGINE	TRANSMISSION
H = Sport	J = Wrangler 4WD	77 = 93.4 WB	EPE, EP0 = 2.5L Power Tech	DGG, DGD = 32RH 3 Spd. Auto.
L = SE	U = Wrangler 4WD (RHD)		ERH, ER0 = 4.0L Power Tech	DDQ = 5 Spd. Manual
P = Sahara				DDD = 5 Speed HD Manual
				DG0 = Auto. Trans.
				DBB = Manual Trans.

AR = Use as required - = Non illustrated part # = New this model year

September 16, 2005

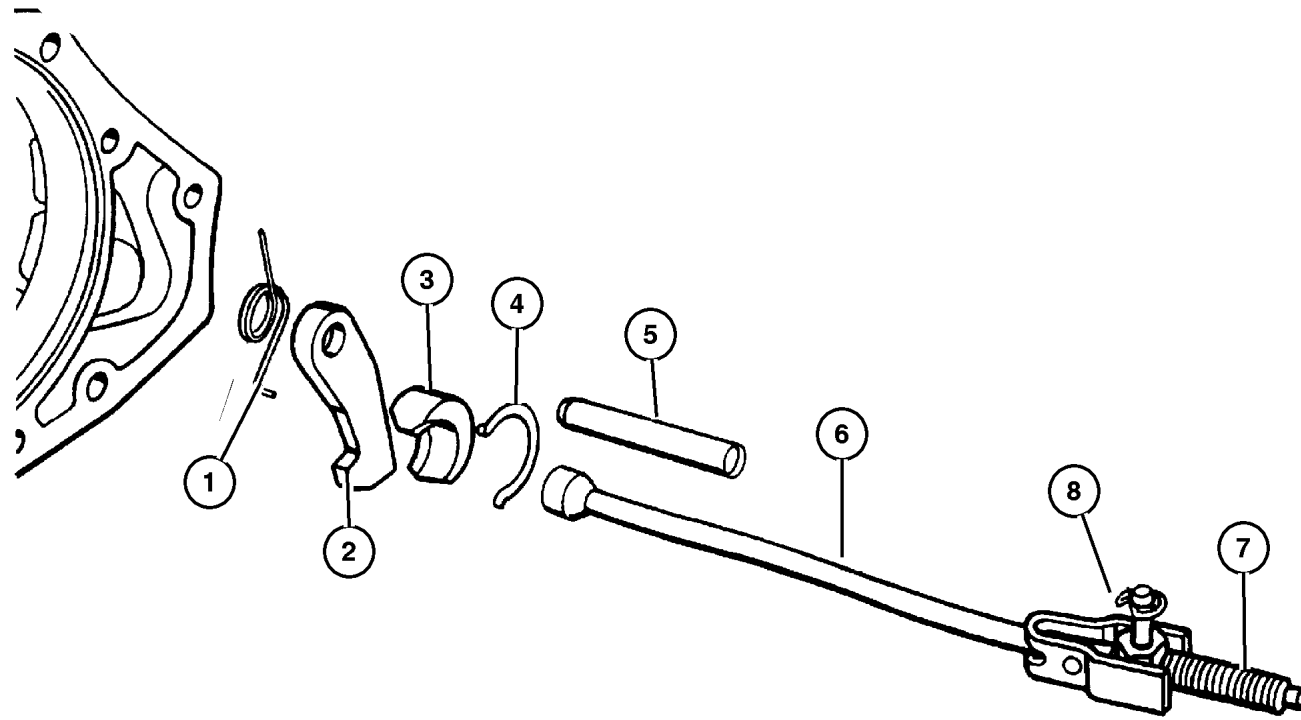
**Parking Sprag 32RH (DGG)  
Figure 32RH-730**

ITEM	PART NUMBER	QTY	LINE	SERIES	BODY	ENGINE	TRANS	TRIM	DESCRIPTION
------	-------------	-----	------	--------	------	--------	-------	------	-------------

NOTE; Sales Code

[DGG] = 3 Speed Automatic Transmission [32RH]

1	2466 909	1					DGG		SPRING, Parking Sprag
2	4471 415	1					DGG		SPRAG, Transmission Parking
3	2538 042	1					DGG		PLUG, Parking Sprag
4	2538 034	1					DGG		SNAP RING, Transmission
5	2466 892	1					DGG		SHAFT, Parking Sprag
6	2466 906	1					DGG		ROD, Parking Sprag
7									SPRING, (NOT SERVICED) (Not Serviced)
8	6035 256	1					DGG		SNAP RING, Rod



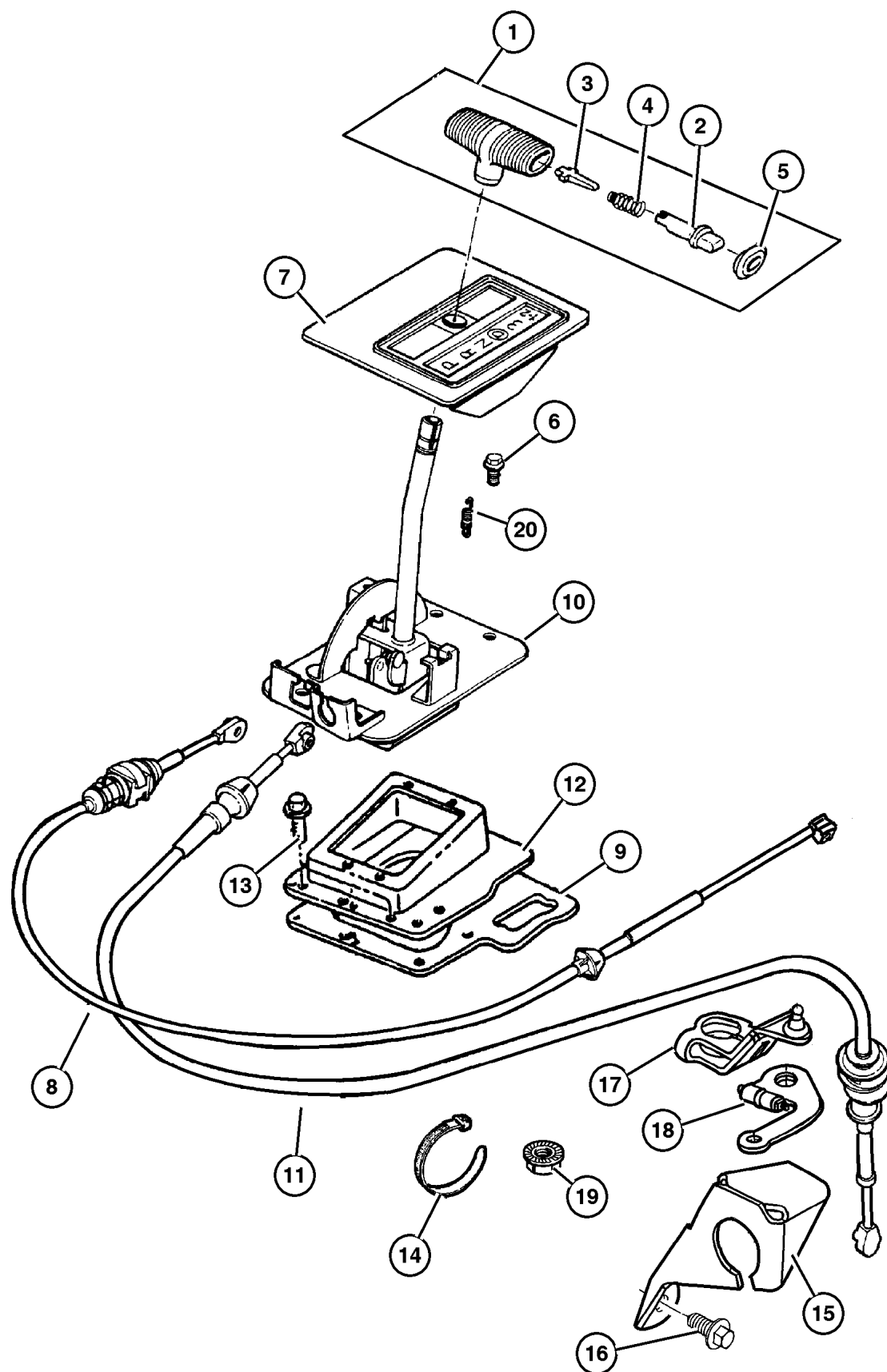
**JEEP WRANGLER (TJ)**

SERIES	LINE	BODY	ENGINE	TRANSMISSION
H = Sport	J = Wrangler 4WD	77 = 93.4 WB	EPE, EP0 = 2.5L Power Tech	DGG, DGD = 32RH 3 Spd. Auto.
L = SE	U = Wrangler 4WD (RHD)		ERH, ER0 = 4.0L Power Tech	DDQ = 5 Spd. Manual
P = Sahara				DDD = 5 Speed HD Manual
				DG0 = Auto. Trans.
				DBB = Manual Trans.

AR = Use as required - = Non illustrated part # = New this model year

September 16, 2005

**Gearshift Controls 32RH (DGG)  
Figure 32RH-1230**



ITEM	PART NUMBER	QTY	LINE	SERIES	BODY	ENGINE	TRANS	TRIM	DESCRIPTION
NOTE; Sales Code									
[DG0] = All Automatic Transmissions									
[EP0] = All 2.5L 4 Cylinder Gas Engines									
[ER0] = All 4.0 L 6 Cylinder Gas Engines									
1	5210 4028	1					DG0		HANDLE, Gearshift
2	5300 0211	1					DG0		BUTTON, Gearshift Knob
3	5300 0865	1					DG0		LEVER, Gearshift
4	5300 0866	1					DG0		SPRING, Button Return
5	5207 7561	1					DG0		CAP, Gearshift Handle Button
6	6501 648	4					DG0		SCREW, Hex Flange Head, M8x1.25x25.00
7	55115 570AB	1	J				DG0		BEZEL AND DIAL, Gearshift Lever
8	5210 4144	1					DG0		CABLE, Park Interlock
9									SEAL, (NOT SERVICED) (Not Serviced)
10	52078 551AB	1	J				DG0		HOUSING, Shift Lever
11	5210 4142	1					DG0		CABLE, Shift
12	5300 0704	1					DG0		COVER, Gearshift
13	J400 1701	11					DG0		SCREW, Hex Self Tapping, .19-16x.50
14	4641 780	1							STRAP, Tie
15	5207 8255	1					DG0		BRACKET, Shift Cable
16									BOLT, (NOT SERVICED) (Not Serviced)
17	52079 168AB	1				EP0, ER0	DG0		LEVER, Manual Control
18	52078 723AB	1				EP0, ER0	DG0		LEVER, Throttle Valve
19	6028 114	1					DG0		NUT, Hex, .437-14
20	5300 3350	1	J				DG0		SPRING, Pawl Return
		1	U				DG0		

**JEEP WRANGLER (TJ)**

SERIES	LINE	BODY	ENGINE	TRANSMISSION
H = Sport	J = Wrangler 4WD	77 = 93.4 WB	EPE, EP0 = 2.5L Power Tech	DGG, DGD = 32RH 3 Spd. Auto.
L = SE	U = Wrangler 4WD (RHD)		ERH, ER0 = 4.0L Power Tech	DDQ = 5 Spd. Manual
P = Sahara				DDD = 5 Speed HD Manual
				DG0 = Auto. Trans.
				DBB = Manual Trans.

AR = Use as required - = Non illustrated part # = New this model year

September 16, 2005

# Group – 3550

## Manual Transmission 5 Speed

### GROUP 3550 - Manual Transmission 5 Speed

Illustration Title

Group-Fig. No.

#### Transmission Assembly

Transmission (DDD) ..... Fig. 3550-110

#### Case and Extension

Case and Extension (DDD) ..... Fig. 3550-210

#### Gear Train

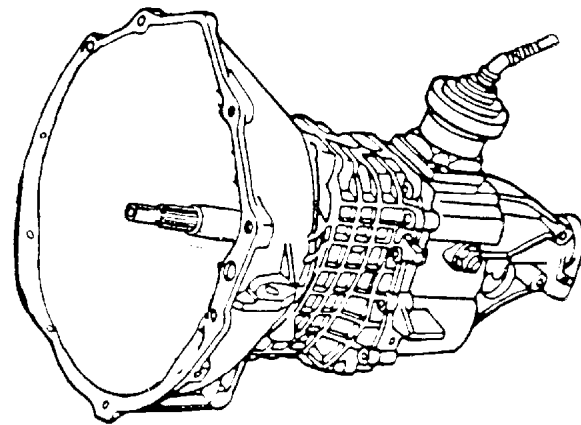
Gear Train (DDD) ..... Fig. 3550-410

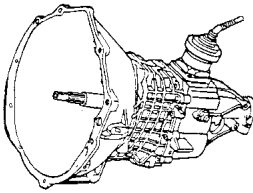
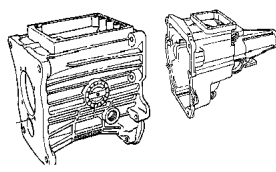
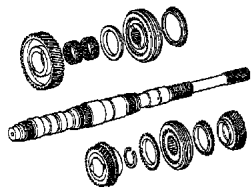
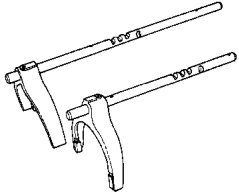

#### Fork and Rails

Fork and Rails (DDD) ..... Fig. 3550-910

#### Gearshift Controls

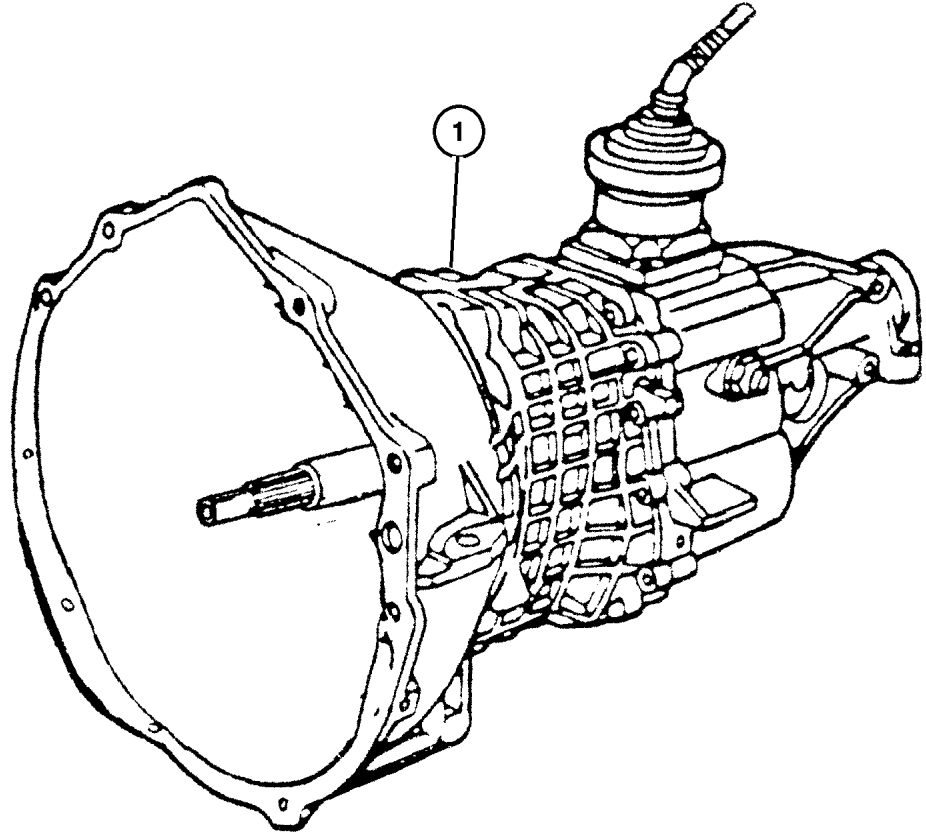
Gearshift Controls (DDD) ..... Fig. 3550-1210



<p><b>3550-100</b> Transmission Assembly</p> 	<p><b>3550-200</b> Case and Extension</p> 	<p><b>3550-400</b> Gear Train</p> 	<p><b>3550-900</b> Fork and Rails</p> 
<p><b>3550-1200</b> Gearshift Controls</p> 			



Transmission (DDD)  
Figure 3550-110



ITEM	PART NUMBER	QTY	LINE	SERIES	BODY	ENGINE	TRANS	TRIM	DESCRIPTION
------	-------------	-----	------	--------	------	--------	-------	------	-------------

NOTE; Sales Code

[DDD] = 5 Speed Heavy Duty Manual Transmission

1	52104 388AA	1				ER0	DDD		TRANSMISSION, 5 Speed
---	-------------	---	--	--	--	-----	-----	--	-----------------------

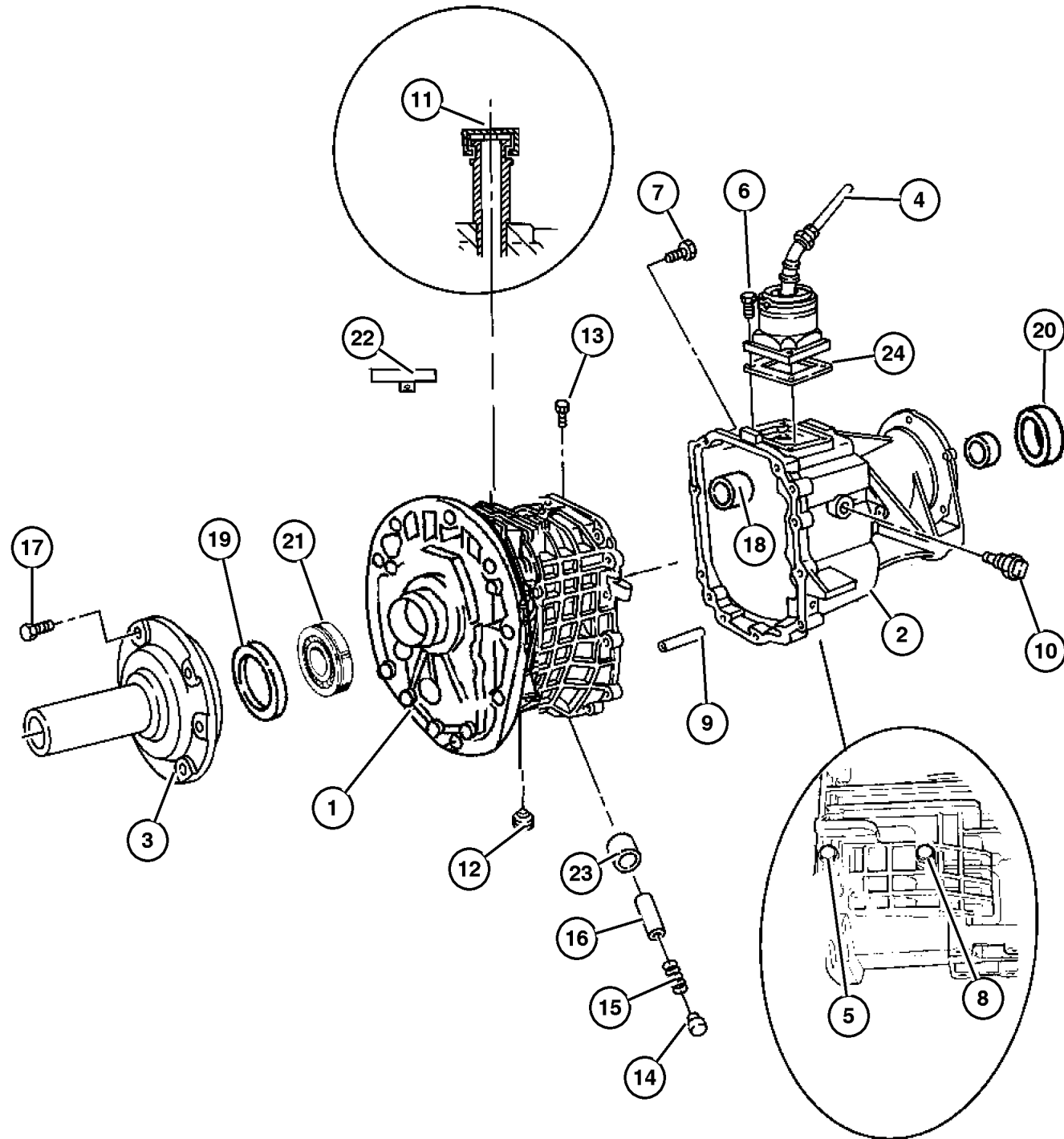
JEEP WRANGLER (TJ)

SERIES	LINE	BODY	ENGINE	TRANSMISSION
H = Sport	J = Wrangler 4WD	77 = 93.4 WB	EPE, EP0 = 2.5L Power Tech	DGG, DGD = 32RH 3 Spd. Auto.
L = SE	U = Wrangler 4WD (RHD)		ERH, ER0 = 4.0L Power Tech	DDQ = 5 Spd. Manual
P = Sahara				DDD = 5 Speed HD Manual
				DG0 = Auto. Trans.
				DBB = Manual Trans.

AR = Use as required - = Non illustrated part # = New this model year

September 16, 2005

Case and Extension (DDD)  
Figure 3550-210



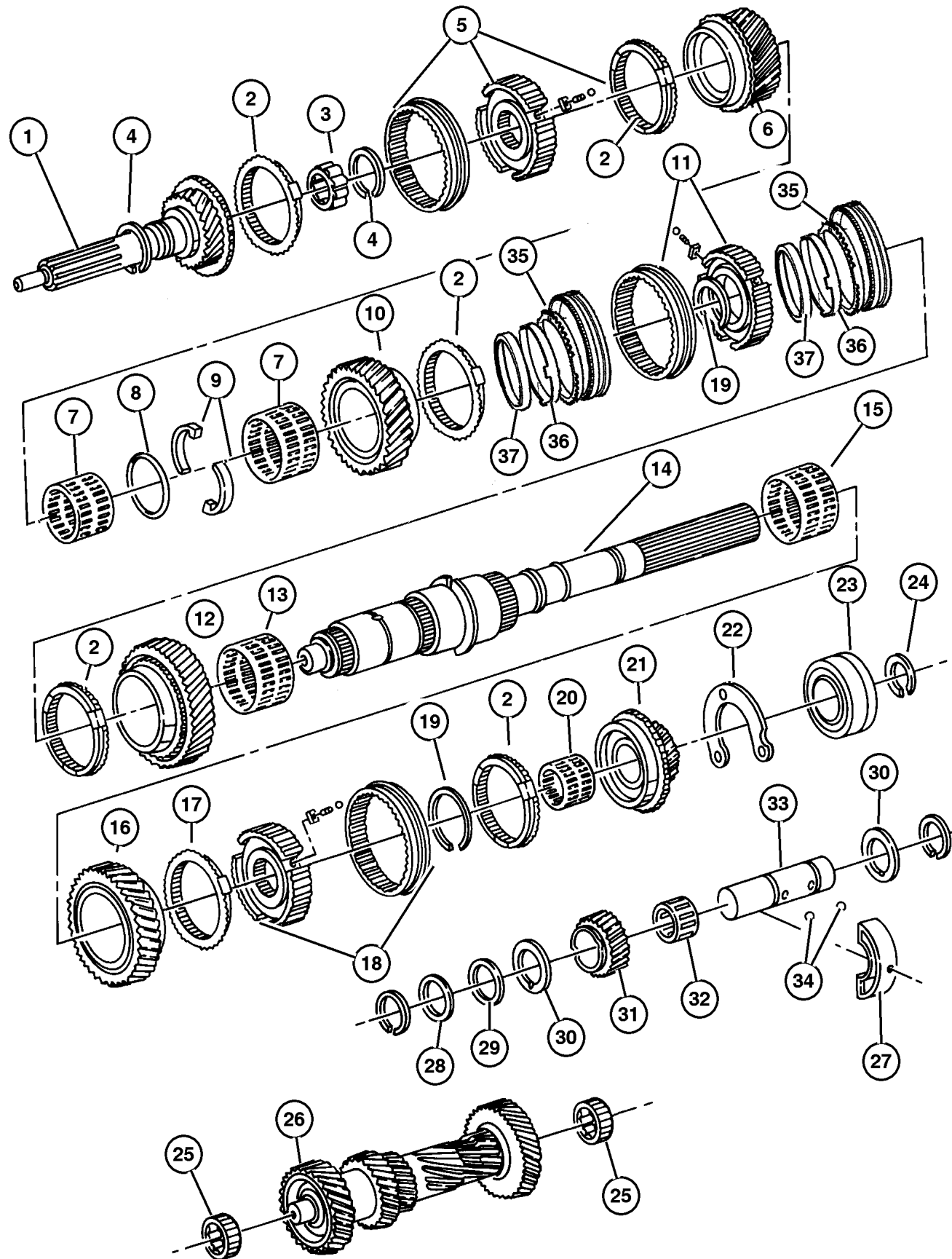
ITEM	PART NUMBER	QTY	LINE	SERIES	BODY	ENGINE	TRANS	TRIM	DESCRIPTION
NOTE; Sales Code									
[DDD] = 5 Speed Heavy Duty Manual Transmission									
[ER0] = All 4.0 L 6 Cylinder Gas Engines									
1	5015 577AA	1				ER0	DDD		CASE, Transmission
2	5015 948AA	1				ER0	DDD		CASE, Transmission Rear
3	5013 306AA	1				ER0	DDD		RETAINER, Shaft
4	5015 954AA	1				ER0	DDD		LEVER, Gearshift
5	4741 313	1				ER0	DDD		BOLT, M8-1.25x70
6	4741 144	4				ER0	DDD		BOLT, Hex Head
7	4741 123	11				ER0	DDD		BOLT, Hex Head, M8x1.25x50
8	4741 115	3				ER0	DDD		BOLT, Hex
9	4741 122	2				ER0	DDD		PIN, Locating
10	5013 336AA	1				ER0	DDD		SWITCH, Back Up Lamp
11	5015 945AA	1				ER0	DDD		VENT, Transmission
12	4882 280	1				ER0	DDD		PLUG, Oil Fill
13	5013 321AA	1				ER0	DDD		PIN, Detent
14	4741 128	1				ER0	DDD		CAP, Detent
15	4773 182	1				ER0	DDD		SPRING, Shift Detent
16	5015 949AA	1				ER0	DDD		PLUNGER
17	4741 300	6				ER0	DDD		BOLT, Hex Head, M6x1.00x25
18	4741 112	1				ER0	DDD		BEARING, Ball
19	4741 296	1				ER0	DDD		SEAL, Input Shaft
20	4741 118	1				ER0	DDD		SEAL, Output Shaft
21	4874 174	1				ER0	DDD		BEARING, Input Shaft
22	5015 945AA	1				ER0	DDD		VENT, Transmission
23	5012 337AA	1				ER0	DDD		BUSHING, Transmission
24	4886 153AA	1				ER0	DDD		SEAL, Shift Lever

JEEP WRANGLER (TJ)				
SERIES	LINE	BODY	ENGINE	TRANSMISSION
H = Sport	J = Wrangler 4WD	77 = 93.4 WB	EPE, EP0 = 2.5L Power Tech	DGG, DGD = 32RH 3 Spd. Auto.
L = SE	U = Wrangler 4WD (RHD)		ERH, ER0 = 4.0L Power Tech	DDQ = 5 Spd. Manual
P = Sahara				DDD = 5 Speed HD Manual
				DG0 = Auto. Trans.
				DBB = Manual Trans.

AR = Use as required - = Non illustrated part # = New this model year

September 16, 2005

**Gear Train (DDD)  
Figure 3550-410**



ITEM	PART NUMBER	QTY	LINE	SERIES	BODY	ENGINE	TRANS	TRIM	DESCRIPTION
NOTE; Sales Code									
[DDD] = 5 Speed Heavy Duty Manual Transmission									
[ER0] = All 4.0 L 6 Cylinder Gas Engines									
1	5013 302AA	1				ER0	DDD		SHAFT, Input
2	4741 277	2				ER0	DDD		STOP RING, Synchronizer
3	4741 878	1				ER0	DDD		NEEDLE BEARING, Input Shaft
4	4741 266	2				ER0	DDD		SNAP RING, Output Shaft Bearing
5	4741 293	1				ER0	DDD		SYNCHRONIZER, Third and Fourth
6	5013 195AA	1				ER0	DDD		GEAR, Third
7	5003 039AA	1				ER0	DDD		NEEDLE BEARING, Second Gear
8	4897 922AA	1				ER0	DDD		SNAP RING
9	5013 192AA	2				ER0	DDD		WASHER, Output Shaft
10									GEAR, Second
	5013 194AA	1				ER0	DDD		
	4874 358AB	1				ER0	DDD		With Transmission # [52104388AC]
11	5013 191AA	1				ER0	DDD		SYNCHRONIZER, First and Second
12	5013 189AA	1				ER0	DDD		GEAR, First
13	4741 871	1				ER0	DDD		NEEDLE BEARING, Transmission
14									SHAFT, Output
	5013 180AA	1				ER0	DDD		52104388aa
	4874 309	1				ER0	DDD		52104388ac
15	4741 871	1				ER0	DDD		NEEDLE BEARING, Transmission
16	5013 185AA	1				ER0	DDD		GEAR, Reverse
17	4741 285	1				ER0	DDD		STOP RING, Synchronizer
18	4741 278	1				ER0	DDD		SYNCHRONIZER, Fifth And Reverse
19	4269 592	1					DGD		RING, Transmission
20	4741 273	1				ER0	DDD		BEARING, Needle
21									GEAR, Fifth
	5015 956AB	1				ER0	DDD		
	5069 040AA	1				ER0	DDD		After 7-2000 [52104388AC]
22	4741 114	1				ER0	DDD		RETAINER, Transmission Output
									Shaft Bearing
23	4741 866	1				ER0	DDD		BEARING, Output Shaft
24	4741 266	2				ER0	DDD		SNAP RING, Output Shaft Bearing
25									BEARING, Countershaft
	5012 971AA	2				ER0	DDD		
	5066 646AA	2				ER0	DDD		52104388ac
26	5015 957AA	1				ER0	DDD		SHAFT, Counter
27	4741 312	1				ER0	DDD		SUPPORT, Segment Idler Shaft
28	4741 310	1				ER0	DDD		WASHER, Flat
29	4741 309	1				ER0	DDD		WASHER, Idler Gear
30	4741 307	2				ER0	DDD		THRUST WASHER, Reverse Idler

**JEEP WRANGLER (TJ)**

SERIES  
H = Sport  
L = SE  
P = Sahara

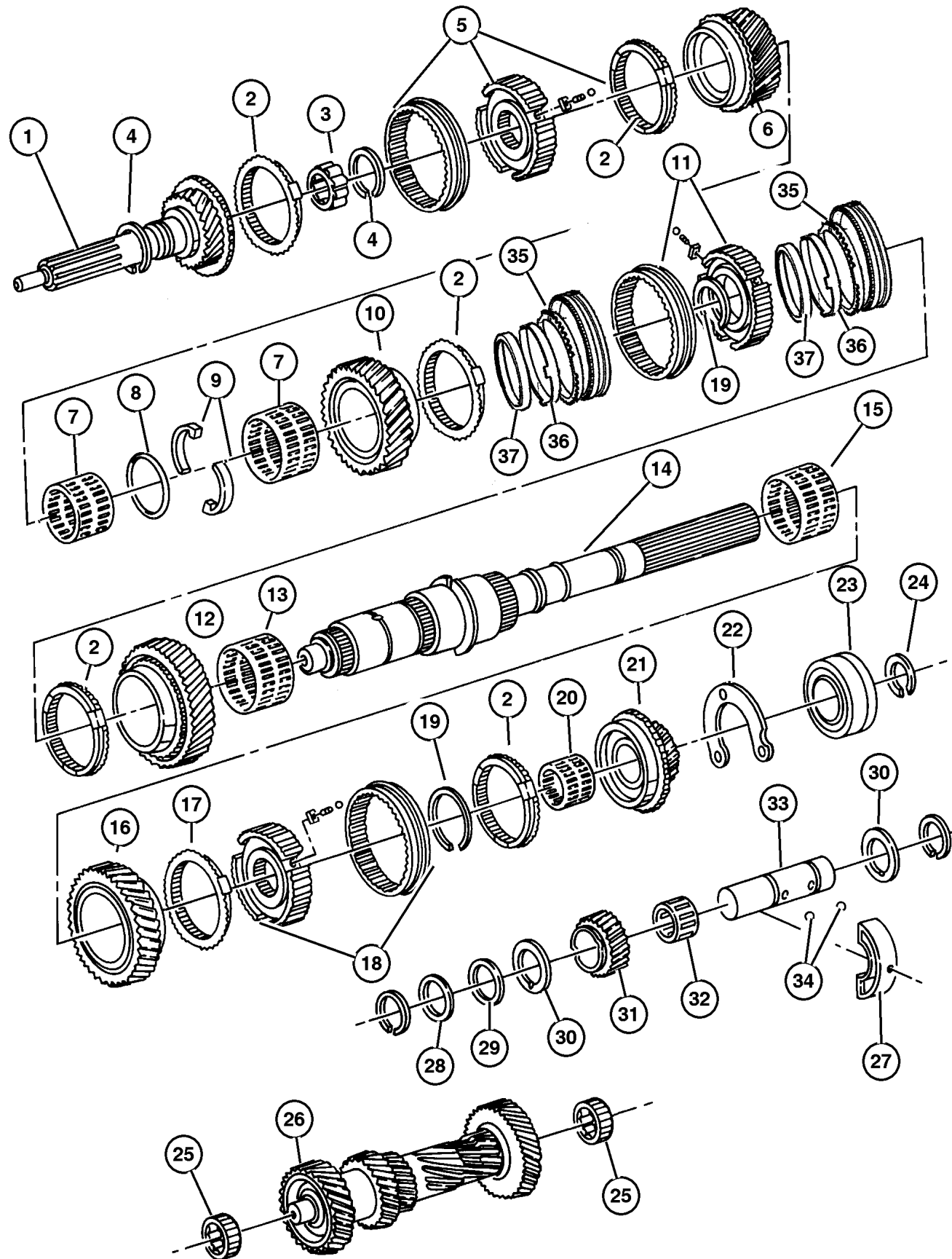
LINE  
J = Wrangler 4WD  
U = Wrangler 4WD (RHD)

BODY  
77 = 93.4 WB

ENGINE  
EPE, EP0 = 2.5L Power Tech  
ERH, ER0 = 4.0L Power Tech

TRANSMISSION  
DGG, DGD = 32RH 3 Spd. Auto.  
DDQ = 5 Spd. Manual  
DDD = 5 Speed HD Manual  
DGO = Auto. Trans.  
DBB = Manual Trans.

**Gear Train (DDD)  
Figure 3550-410**



ITEM	PART NUMBER	QTY	LINE	SERIES	BODY	ENGINE	TRANS	TRIM	DESCRIPTION
31	5013 199AA	1				ER0	DDD		GEAR, Reverse Idler
32	4874 359	1				ER0	DDD		BEARING, Idler
33	4741 303	1				ER0	DDD		IDLER SHAFT, Transmission
34	4741 891	2				ER0	DDD		BALL, Check, 4 mm
35	4874 363	2				ER0	DDD		RING, Synchronizer Blocker
36	4874 405	2				ER0	DDD		CONE, Synchronizer
37	4874 404	2				ER0	DDD		RING

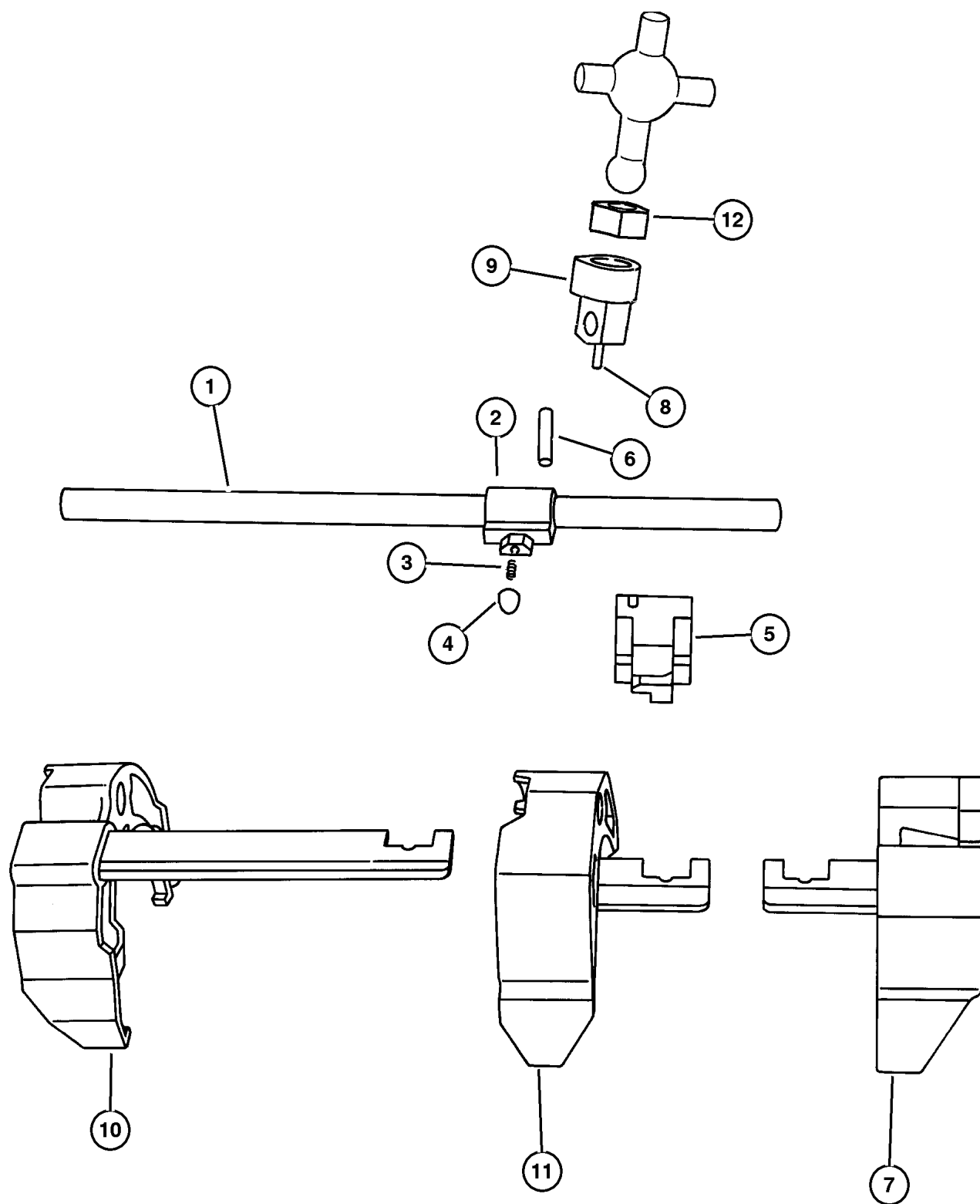
**JEEP WRANGLER (TJ)**

SERIES	LINE	BODY	ENGINE	TRANSMISSION
H = Sport	J = Wrangler 4WD	77 = 93.4 WB	EPE, EP0 = 2.5L Power Tech	DGG, DGD = 32RH 3 Spd. Auto.
L = SE	U = Wrangler 4WD (RHD)		ERH, ER0 = 4.0L Power Tech	DDQ = 5 Spd. Manual
P = Sahara				DDD = 5 Speed HD Manual
				DG0 = Auto. Trans.
				DBB = Manual Trans.

AR = Use as required - = Non illustrated part # = New this model year

September 16, 2005

Fork and Rails (DDD)  
Figure 3550-910



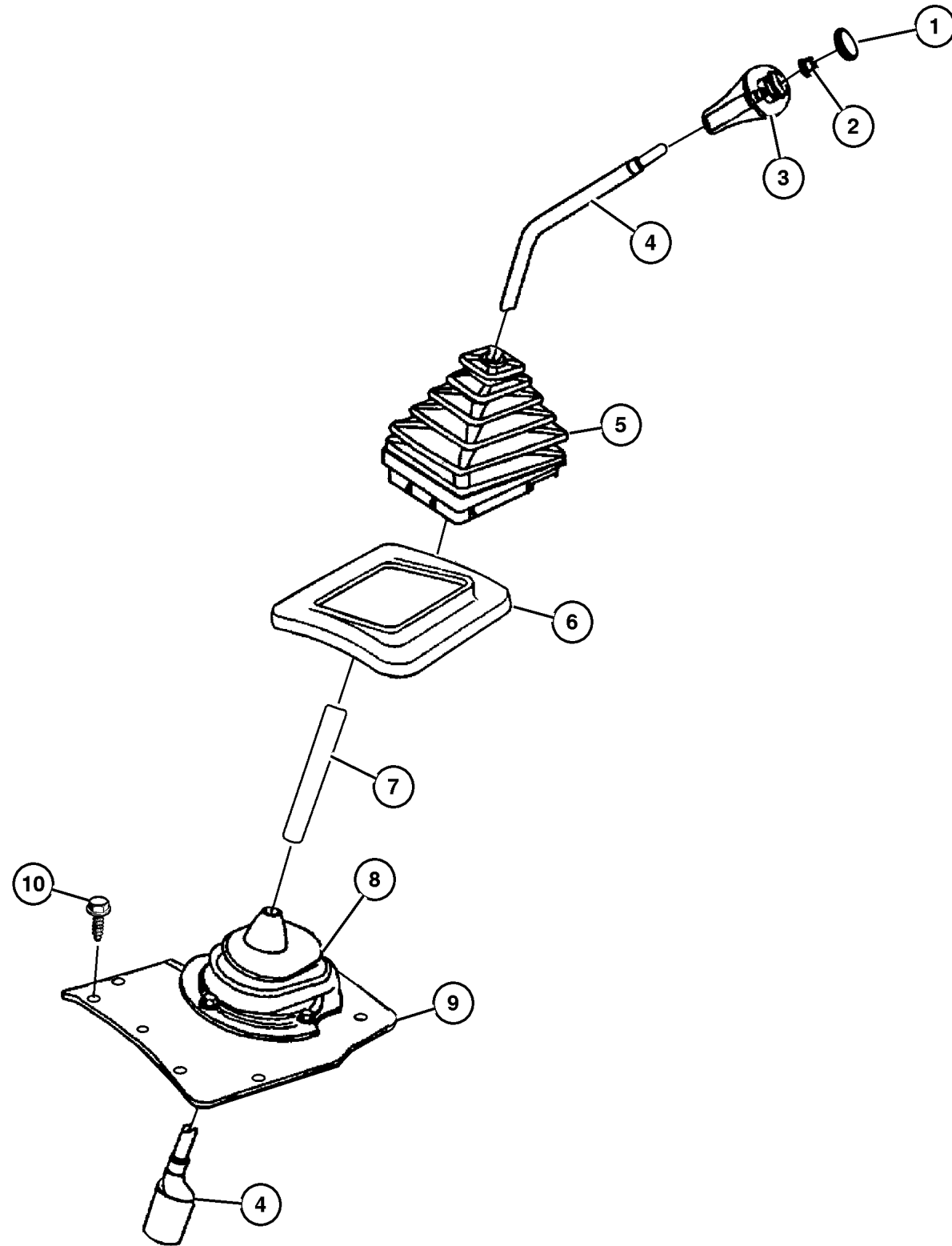
ITEM	PART NUMBER	QTY	LINE	SERIES	BODY	ENGINE	TRANS	TRIM	DESCRIPTION
NOTE; Sales Code									
[DDD] = 5 Speed Heavy Duty Manual Transmission									
[ER0] = All 4.0 L 6 Cylinder Gas Engines									
1	5015 951AA	1				ER0	DDD		SHAFT, Selector
2	5014 109AA	1				ER0	DDD		LEVER, Shift Shaft
3	4741 137	3				ER0	DDD		SPRING, Lever
4	5015 949AA	1				ER0	DDD		PLUNGER
5	5012 337AA	1				ER0	DDD		BUSHING, Transmission
6	4741 138	1				ER0	DDD		PIN, Shift Shaft
7	5015 950AA	1				ER0	DDD		FORK, Third and Fourth
8	4741 139	1				ER0	DDD		PIN, Shift Shaft
9	4874 352	1				ER0	DDD		SOCKET, Shift Shaft
10	4773 563AB	1				ER0	DDD		FORK, Transmission
11	5013 178AA	1				ER0	DDD		FORK, First and Second
12	5012 020AA	1				ER0	DDD		ISOLATOR, Shift Lever

JEEP WRANGLER (TJ)				TRANSMISSION
SERIES	LINE	BODY	ENGINE	
H = Sport	J = Wrangler 4WD	77 = 93.4 WB	EPE, EP0 = 2.5L Power Tech	DGG, DGD = 32RH 3 Spd. Auto.
L = SE	U = Wrangler 4WD (RHD)		ERH, ER0 = 4.0L Power Tech	DDQ = 5 Spd. Manual
P = Sahara				DDD = 5 Speed HD Manual
				DG0 = Auto. Trans.
				DBB = Manual Trans.

AR = Use as required - = Non illustrated part # = New this model year

September 16, 2005

**Gearshift Controls (DDD)  
Figure 3550-1210**



ITEM	PART NUMBER	QTY	LINE	SERIES	BODY	ENGINE	TRANS	TRIM	DESCRIPTION
NOTE; Sales Code									
[DBB] = All Manual Transmissions									
1	4446 921	1					DBB		INSERT, Transmission Shift Knob
2	6502 556	1					DBB		NUT, Hex, M10-1.5
3	5210 4174	1					DBB		KNOB, Gearshift
4									LEVER, Gearshift
	52078 576AC	1	J				DBB		
	52078 579AC	1	U				DBB		
5	5207 8558	1					DBB		BOOT, Gear Shift Lever
6	5300 0056	1					DBB		BEZEL, Gearshift Lever Boot
7	5210 4012	1					DBB		TUBE, Governor Support
8	52078 970AC	1					DBB		BOOT, Inner Gearshift
9	5207 8971	1					DBB		COVER, Floor Pan
10	J400 1701	9					DBB		SCREW, Hex Self Tapping, .19-16x.50

<b>JEEP WRANGLER (TJ)</b>				
SERIES	LINE	BODY	ENGINE	TRANSMISSION
H = Sport	J = Wrangler 4WD	77 = 93.4 WB	EPE, EP0 = 2.5L Power Tech	DGG, DGD = 32RH 3 Spd. Auto.
L = SE	U = Wrangler 4WD (RHD)		ERH, ER0 = 4.0L Power Tech	DDQ = 5 Spd. Manual
P = Sahara				DDD = 5 Speed HD Manual
				DG0 = Auto. Trans.
				DBB = Manual Trans.

AR = Use as required - = Non illustrated part # = New this model year

September 16, 2005

# Group – AISIN

## Manual Transmission 5 Speed

### GROUP AISIN - Manual Transmission 5 Speed

Illustration Title

Group-Fig. No.

#### Transmission Assembly

Transmission (DDQ) ..... Fig. AISIN-110

#### Case and Extension

Case and Extension AX5 (DDQ) ..... Fig. AISIN-210

#### Gear Train

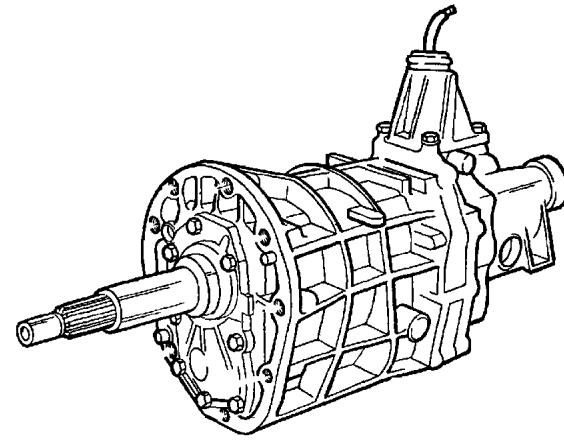
Gear Train AX5 (DDQ) ..... Fig. AISIN-410

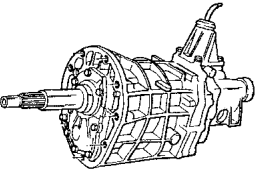
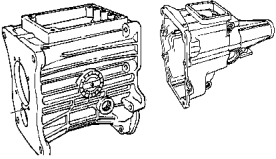
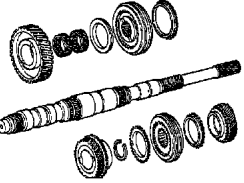
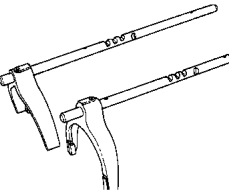

#### Forks and Rails

Forks AX5 (DDQ) ..... Fig. AISIN-910

#### Gearshift Controls

Gearshift Controls (DDQ) ..... Fig. AISIN-1210



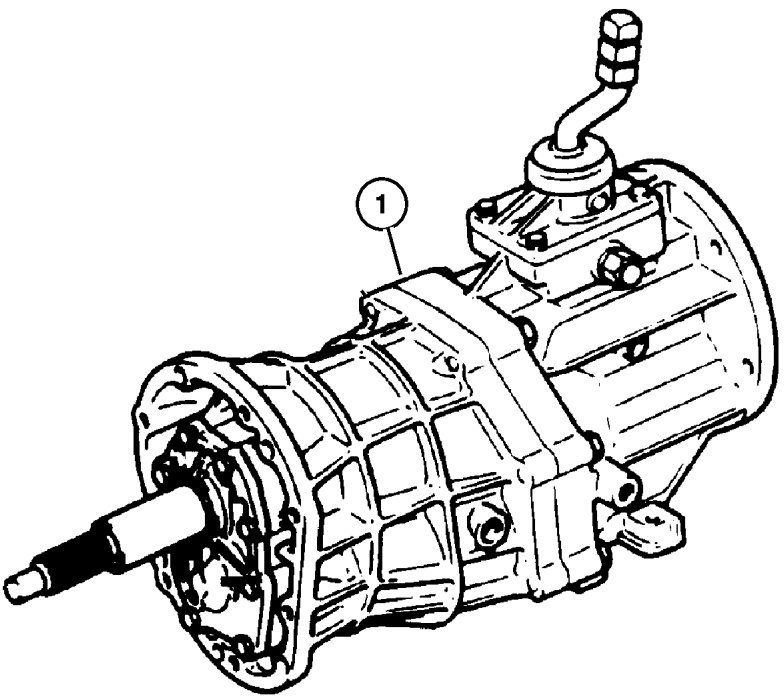
<p><b>AISIN-100</b> Transmission Assembly</p> 	<p><b>AISIN-200</b> Case and Extension</p> 	<p><b>AISIN-400</b> Gear Train</p> 	<p><b>AISIN-900</b> Forks and Rails</p> 
<p><b>AISIN-1200</b> Gearshift Controls</p> 			

**Transmission (DDQ)  
Figure AISIN-110**

ITEM	PART NUMBER	QTY	LINE	SERIES	BODY	ENGINE	TRANS	TRIM	DESCRIPTION
------	-------------	-----	------	--------	------	--------	-------	------	-------------

NOTE; Sales Code  
 [DDQ] = 5 Speed Manual Transmission  
 [EP0] = All 2.5L 4 Cylinder Gas Engines

1	5210 4548	1				EP0	DDQ		TRANSMISSION, 5 Speed
---	-----------	---	--	--	--	-----	-----	--	-----------------------



JEEP WRANGLER (TJ)		BODY	ENGINE	TRANSMISSION
SERIES	LINE	77 = 93.4 WB	EPE, EP0 = 2.5L Power Tech ERH, ER0 = 4.0L Power Tech	DGG, DGD = 32RH 3 Spd. Auto. DDQ = 5 Spd. Manual DDD = 5 Speed HD Manual DG0 = Auto. Trans. DBB = Manual Trans.
H = Sport	J = Wrangler 4WD			
L = SE	U = Wrangler 4WD (RHD)			
P = Sahara				

AR = Use as required - = Non illustrated part # = New this model year

September 16, 2005



Case and Extension AX5 (DDQ)  
Figure AISIN-210

ITEM	PART NUMBER	QTY	LINE	SERIES	BODY	ENGINE	TRANS	TRIM	DESCRIPTION
------	-------------	-----	------	--------	------	--------	-------	------	-------------

NOTE; Sales Code

[DDQ] = 5 Speed Manual Transmission

[EP0] = All 2.5L 4 Cylinder Gas Engines

1	4897 581AA	1				EP0	DDQ		CASE, Transmission
2	4543 303	1				EP0	DDQ		PLUG, Differential Drain
3	8350 0513	1				EP0	DDQ		GASKET, Drain Plug
4	8350 0509	1				EP0	DDQ		PLUG, Oil Fill
5	8350 0504	4				EP0	DDQ		PIN, Locating
6	8350 0618	1				EP0	DDQ		STUD, Double Ended, M10x1.25x98
7	8350 0627	1				EP0	DDQ		WASHER, Flat
8	8350 0626	1				EP0	DDQ		WASHER, Lock
9	8350 0625	1				EP0	DDQ		NUT, Transmission Case
10	8350 3547	1				EP0	DDQ		BOLT
11	8350 3549	4				EP0	DDQ		BOLT
12	8350 0516	1				EP0	DDQ		PIN, Reverse Restrict
13	8350 3108	1				EP0	DDQ		SEAL, Adapter
14	4897 133AA	1				EP0	DDQ		ADAPTER, Transfer Case
15	8350 0515	1				EP0	DDQ		PIN, Reverse
16	8350 3548	1				EP0	DDQ		BOLT
17	8350 0511	4				EP0	DDQ		SCREW, Manual Transmission
18	8350 3109	1				EP0	DDQ		CAP, Detent
19	8350 0623	1				EP0	DDQ		PLUG, Oil Fill
20	8350 6034	1				EP0	DDQ		RETAINER, Bearing
21	8350 0629	1				EP0	DDQ		SWITCH, Back Up Lamp
22	4318 025	1				EP0	DDQ		SEALANT, RTV
23	8350 0540	1				EP0	DDQ		PIN, Shift Shaft
24	8350 0631	1				EP0	DDQ		CLAMP, Transmission
25	8350 3551	1				EP0	DDQ		CLAMP, Transmission
26	8350 0632	1				EP0	DDQ		GASKET, Transmission
27	5003 663AA	2				EP0	DDQ		PIN, Locating
28	3420 1818	1				EP0	DDQ		SCREW, Hex Head, M8x1.25x25
29	4746 025	1				EP0	DDQ		RETAINER, Bearing
30	8350 0505	1				EP0	DDQ		GASKET, Input Gear Retainer
31	8350 6045	1				EP0	DDQ		SEAL, Main Shaft

JEEP WRANGLER (TJ)

SERIES  
H = Sport  
L = SE  
P = Sahara

LINE  
J = Wrangler 4WD  
U = Wrangler 4WD (RHD)

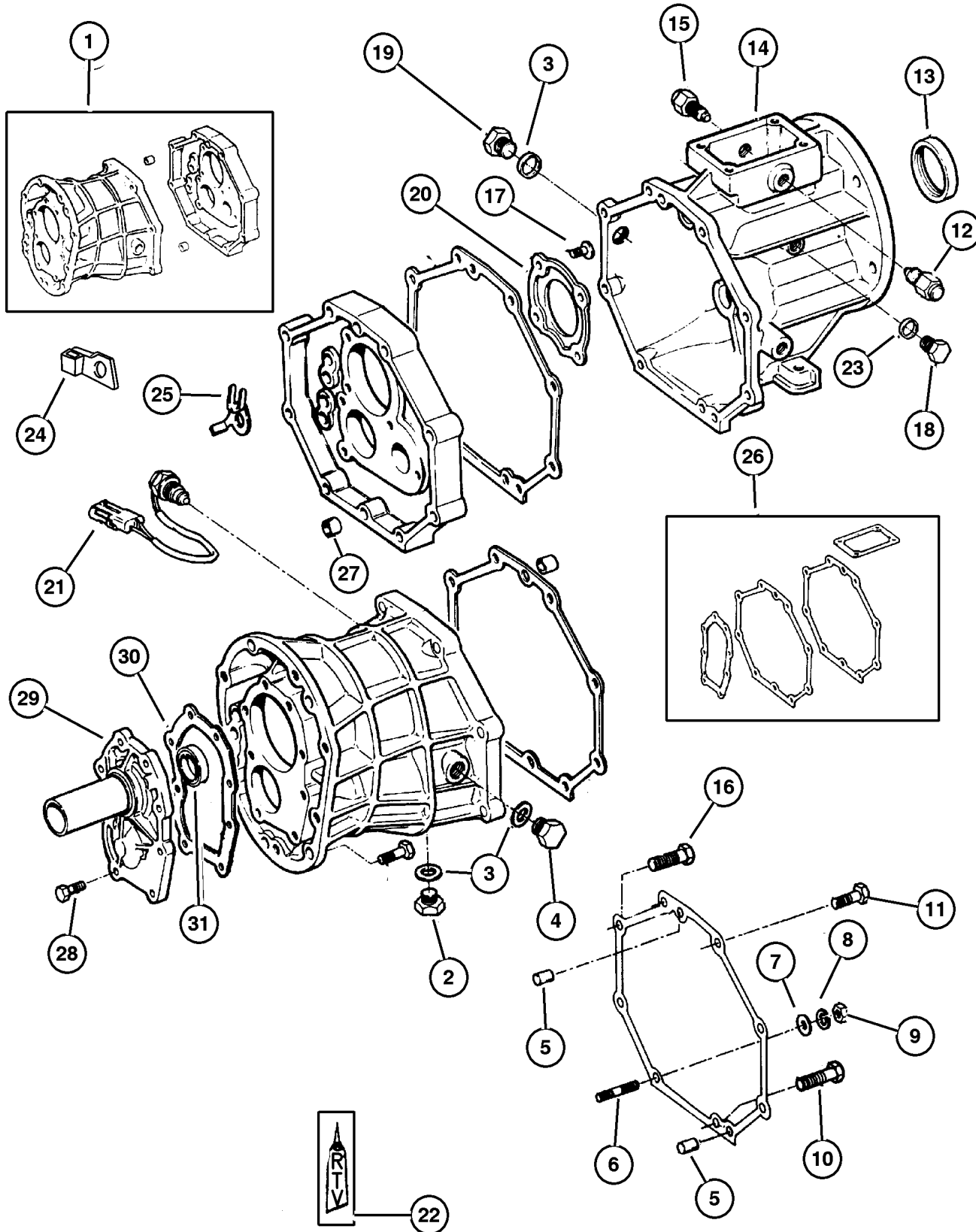
BODY  
77 = 93.4 WB

ENGINE  
EPE, EP0 = 2.5L Power Tech  
ERH, ER0 = 4.0L Power Tech

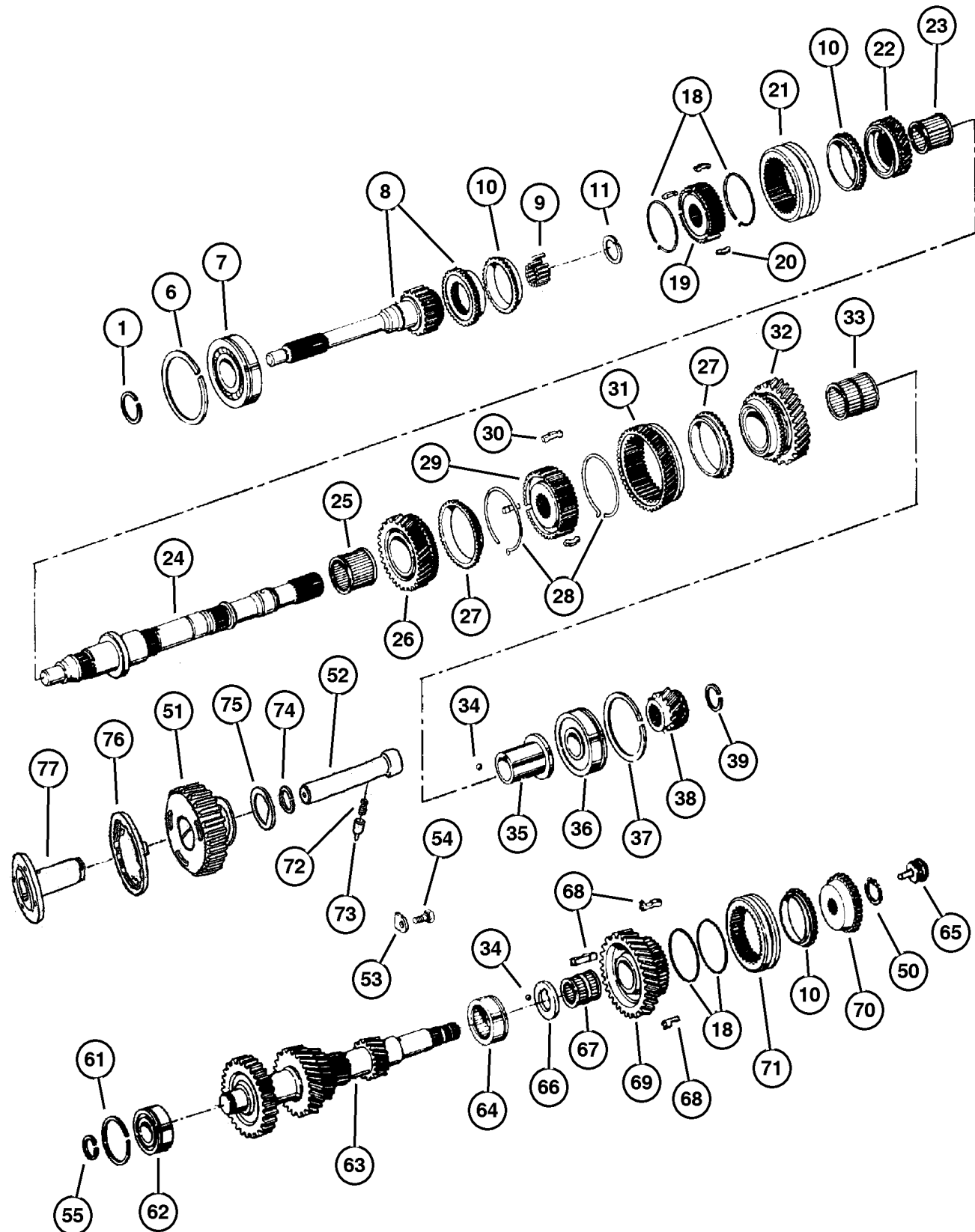
TRANSMISSION  
DGG, DGD = 32RH 3 Spd. Auto.  
DDQ = 5 Spd. Manual  
DDD = 5 Speed HD Manual  
DGO = Auto. Trans.  
DBB = Manual Trans.

AR = Use as required - = Non illustrated part # = New this model year

September 16, 2005



**Gear Train AX5 (DDQ)  
Figure AISIN-410**



ITEM	PART NUMBER	QTY	LINE	SERIES	BODY	ENGINE	TRANS	TRIM	DESCRIPTION
NOTE; Sales Code									
[DDQ] = 5 Speed Manual Transmission									
[EP0] = All 2.5L 4 Cylinder Gas Engines									
1	8350 0611	1				EP0	DDQ		SNAP RING, Input Shaft, 2.30mm
-2	8350 0610	1				EP0	DDQ		SNAP RING, Input Shaft, 2.25mm
-3	8350 0609	1				EP0	DDQ		SNAP RING, Input Shaft, 2.20mm
-4	8350 0608	1				EP0	DDQ		SNAP RING, Input Shaft, 2.15mm
-5	8350 0607	1				EP0	DDQ		SNAP RING, Input Shaft, 2.10mm
6	8350 0614	1				EP0	DDQ		SNAP RING
7	8350 2681	2				EP0	DDQ		BEARING, Input Shaft
8	8350 6020	1				EP0	DDQ		SHAFT, Input
9	8350 2680	13				EP0	DDQ		ROLLER, Input Gear
10	8350 0566	3				EP0	DDQ		STOP RING, Synchronizer
11	8350 0598	1				EP0	DDQ		SNAP RING, Mainshaft, 1.75mm
-12	8350 0599	1				EP0	DDQ		SNAP RING, Mainshaft, 1.80mm
-13	8350 0602	1				EP0	DDQ		SNAP RING, Mainshaft, 1.85mm
-14	8350 0603	1				EP0	DDQ		SNAP RING, Mainshaft, 1.90mm
-15	8350 0604	1				EP0	DDQ		SNAP RING, Mainshaft, 1.95mm
-16	8350 0605	1				EP0	DDQ		SNAP RING, Mainshaft, 2.00mm
-17	8350 0606	1				EP0	DDQ		SNAP RING, Mainshaft, 2.05mm
18	8350 0568	4				EP0	DDQ		SPRING, Synchronizer Key
19	8350 6027	1				EP0	DDQ		SYNCHRONIZER, Third and Fourth
20	8350 6029	3				EP0	DDQ		KEY, Synchronizer
21	4740 235	1				EP0	DDQ		SLEEVE, Synchromesh Clutch Gear
22	8350 6019	1				EP0	DDQ		GEAR, Third
23	8350 0576	2				EP0	DDQ		BEARING, Third Gear
24	8350 3105	1				EP0	DDQ		MAINSHAFT, Transmission
25	8350 0577	2				EP0	DDQ		BEARING, Second Gear
26	8350 6018	1				EP0	DDQ		GEAR, Second
27	8350 0567	2				EP0	DDQ		STOP RING, Synchronizer
28	8350 0569	2				EP0	DDQ		SPRING, Synchronizer Key
29	8350 0561	1				EP0	DDQ		SYNCHRONIZER, First and Second
30	8350 0564	3				EP0	DDQ		KEY, Synchronizer
31	4897 101AA	1				EP0	DDQ		GEAR, Reverse
32	8350 6017	1				EP0	DDQ		GEAR, First
33	8350 6031	2				EP0	DDQ		BEARING, First Gear
34	8350 0573	2				EP0	DDQ		BALL, Reverse
35	8350 6026	1				EP0	DDQ		RACE, First Gear
36	8350 6030	2				EP0	DDQ		BEARING, Mainshaft
37	8350 0613	1				EP0	DDQ		SNAP RING
38	8350 0971	1				EP0	DDQ		GEAR, Fifth
39	8350 0587	1				EP0	DDQ		SNAP RING, Mainshaft, 2.67-2.72mm

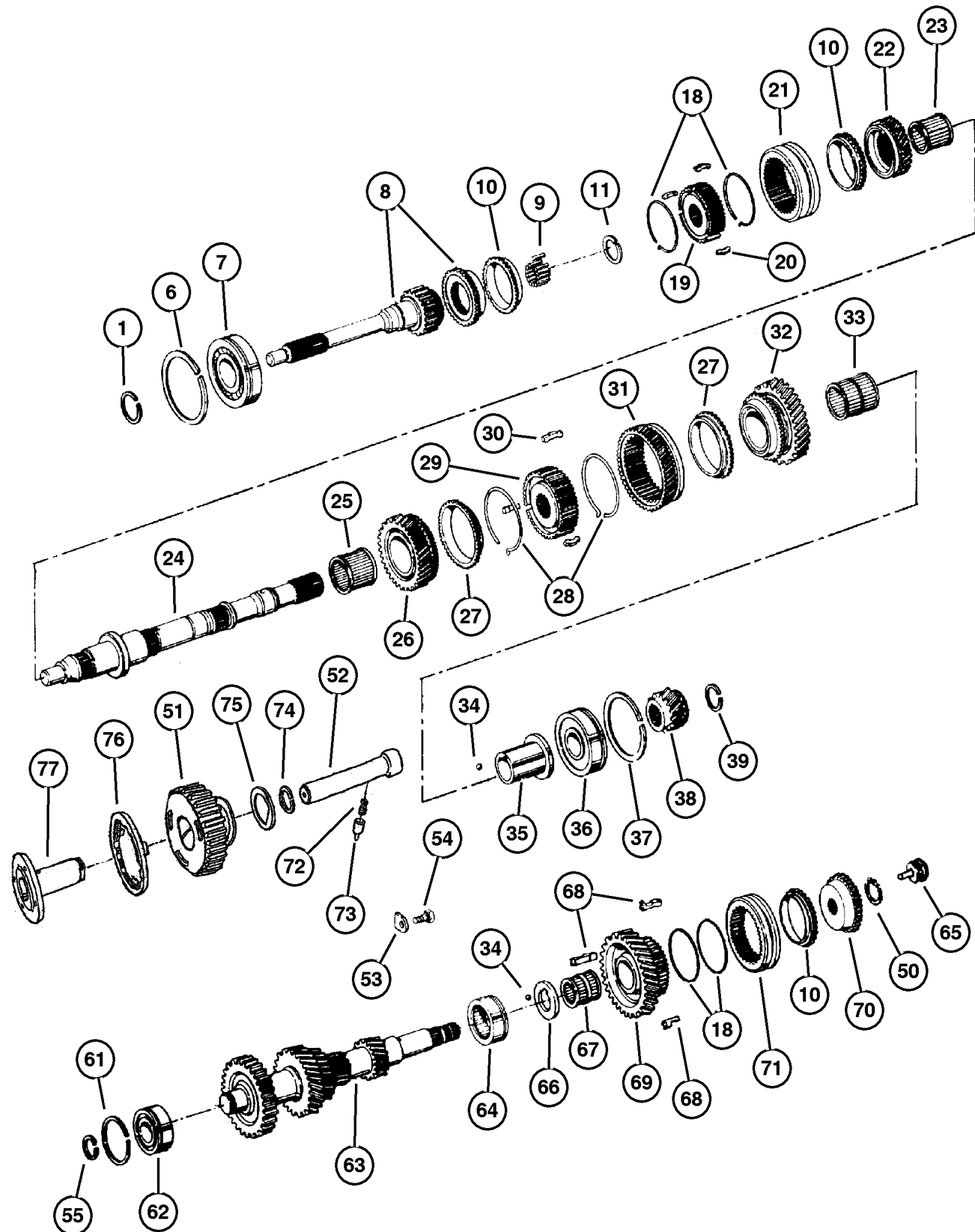
**JEEP WRANGLER (TJ)**

SERIES	LINE	BODY	ENGINE	TRANSMISSION
H = Sport	J = Wrangler 4WD	77 = 93.4 WB	EPE, EP0 = 2.5L Power Tech	DGG, DGD = 32RH 3 Spd. Auto.
L = SE	U = Wrangler 4WD (RHD)		ERH, ER0 = 4.0L Power Tech	DDQ = 5 Spd. Manual
P = Sahara				DDD = 5 Speed HD Manual
				DG0 = Auto. Trans.
				DBB = Manual Trans.

AR = Use as required - = Non illustrated part # = New this model year

September 16, 2005

**Gear Train AX5 (DDQ)  
Figure AISIN-410**



ITEM	PART NUMBER	QTY	LINE	SERIES	BODY	ENGINE	TRANS	TRIM	DESCRIPTION
-40	8350 0588	1				EP0	DDQ		SNAP RING, Mainshaft, 2.73-2.78mm
-41	8350 0589	1				EP0	DDQ		SNAP RING, Mainshaft, 2.79-2.84mm
-42	8350 0590	1				EP0	DDQ		SNAP RING, Mainshaft, 2.85-2.90mm
-43	8350 0591	1				EP0	DDQ		SNAP RING, Mainshaft, 2.91-2.96mm
-44	8350 0592	1				EP0	DDQ		SNAP RING, Mainshaft, 2.97-3.02mm
-45	8350 0593	1				EP0	DDQ		SNAP RING, Mainshaft, 3.03-3.08mm
-46	8350 0594	1				EP0	DDQ		SNAP RING, Mainshaft, 3.09-3.14mm
-47	8350 0595	1				EP0	DDQ		SNAP RING, Mainshaft, 3.15-3.20mm
-48	8350 0596	1				EP0	DDQ		SNAP RING, Mainshaft, 3.21-3.26mm
-49	8350 0597	1				EP0	DDQ		SNAP RING, Mainshaft, 3.27mm/3.32mm
50	8350 6035	1				EP0	DDQ		SNAP RING PACKAGE, Transmission
51	4897 102AA	1				EP0	DDQ		GEAR, Reverse Idler
52	4897 104AA	1				EP0	DDQ		IDLER SHAFT, Transmission
53	4883 380AA	1				EP0	DDQ		STOPPER, Idler Shaft
54	8350 0615	1				EP0	DDQ		BOLT AND LOCK WASHER, Hex Head, M8x1.25x20
55	8350 0581	1				EP0	DDQ		SNAP RING, Cluster Gear, 2.05mm
-56	8350 0582	1				EP0	DDQ		SNAP RING, Cluster Gear, 2.10-2.15mm
-57	8350 0583	1				EP0	DDQ		SNAP RING, Cluster Gear, 2.15mm
-58	8350 0584	1				EP0	DDQ		SNAP RING, Cluster Gear, 2.20mm
-59	8350 0585	1				EP0	DDQ		SNAP RING, Cluster Gear, 2.25mm
-60	8350 0586	1				EP0	DDQ		SNAP RING, Cluster Gear, 2.30mm
61	8350 0612	1				EP0	DDQ		SNAP RING
62	8350 6032	1				EP0	DDQ		BEARING, Cluster Gear
63	4897 103AA	1				EP0	DDQ		GEAR, Countershaft
64	8350 6033	1				EP0	DDQ		BEARING, Cluster Gear
65	8350 0646	1				EP0	DDQ		PIPE, Oil Receiver
66	8350 6025	1				EP0	DDQ		THRUST WASHER, Fourth Gear
67	8350 0644	2				EP0	DDQ		NEEDLE BEARING, Fifth Gear
68	8350 0641	3				EP0	DDQ		KEY, Synchronizer, No. 3

**JEEP WRANGLER (TJ)**

SERIES  
H = Sport  
L = SE  
P = Sahara

LINE  
J = Wrangler 4WD  
U = Wrangler 4WD (RHD)

BODY  
77 = 93.4 WB

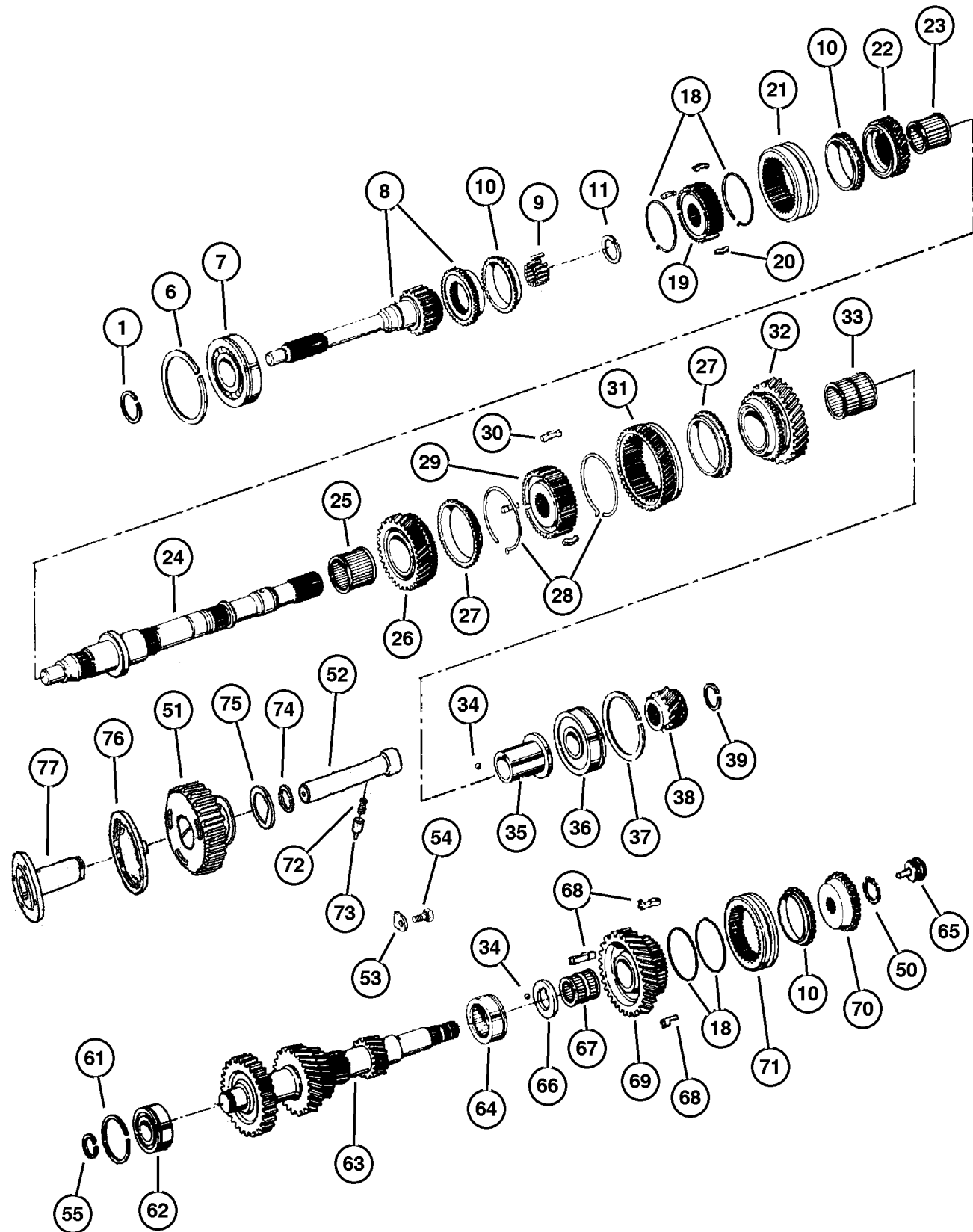
ENGINE  
EPE, EP0 = 2.5L Power Tech  
ERH, ER0 = 4.0L Power Tech

TRANSMISSION  
DGG, DGD = 32RH 3 Spd. Auto.  
DDQ = 5 Spd. Manual  
DDD = 5 Speed HD Manual  
DG0 = Auto. Trans.  
DBB = Manual Trans.

AR = Use as required - = Non illustrated part # = New this model year

September 16, 2005

**Gear Train AX5 (DDQ)  
Figure AISIN-410**



ITEM	PART NUMBER	QTY	LINE	SERIES	BODY	ENGINE	TRANS	TRIM	DESCRIPTION
69	8350 6022	1				EP0	DDQ		GEAR, Countershaft Fifth
70	8350 6024	1				EP0	DDQ		GEAR, Fifth Splined
71	4746 657	1				EP0	DDQ		SLEEVE, Synchronizer
72	4897 110AA	1				EP0	DDQ		SPRING, Compression
73	4897 109AA	1				EP0	DDQ		PIN
74	4897 112AA	1				EP0	DDQ		RING, Snap
75	4897 108AA	1				EP0	DDQ		PLATE, Transmission Idler Shaft
76	4897 111AA	1				EP0	DDQ		RING, Transmission
77	4897 107AA	1				EP0	DDQ		RACE, Idler Gear

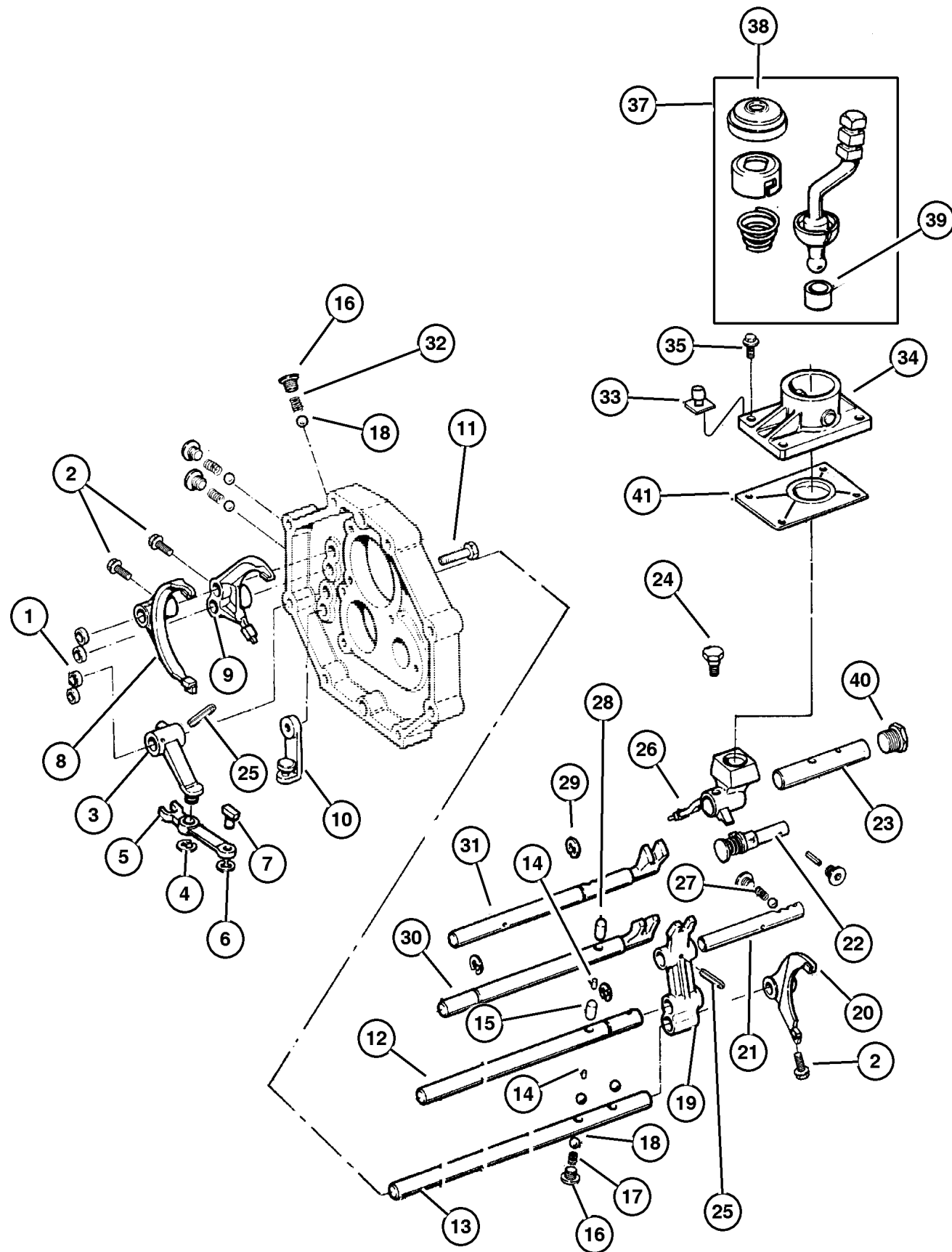
**JEEP WRANGLER (TJ)**

<b>SERIES</b>	<b>LINE</b>	<b>BODY</b>	<b>ENGINE</b>	<b>TRANSMISSION</b>
H = Sport	J = Wrangler 4WD	77 = 93.4 WB	EPE, EP0 = 2.5L Power Tech	DGG, DGD = 32RH 3 Spd. Auto.
L = SE	U = Wrangler 4WD (RHD)		ERH, ER0 = 4.0L Power Tech	DDQ = 5 Spd. Manual
P = Sahara				DDD = 5 Speed HD Manual
				DG0 = Auto. Trans.
				DBB = Manual Trans.

AR = Use as required - = Non illustrated part # = New this model year

September 16, 2005

Forks AX5 (DDQ)  
Figure AISIN-910



ITEM	PART NUMBER	QTY	LINE	SERIES	BODY	ENGINE	TRANS	TRIM	DESCRIPTION
------	-------------	-----	------	--------	------	--------	-------	------	-------------

NOTE; Sales Code

[DDQ] = 5 Speed Manual Transmission

[EP0] = All 2.5L 4 Cylinder Gas Engines

1	8350 0503	4				EP0	DDQ		PLUG, Shift Rail
2	8350 2664	3				EP0	DDQ		BOLT, Shift Fork
3	8350 0526	1				EP0	DDQ		FORK, Transmission
4	8350 0547	1				EP0	DDQ		SNAP RING
5	4897 099AA	1				EP0	DDQ		ARM, Reverse Shift
6	8350 0547	1				EP0	DDQ		SNAP RING
7	4897 100AA	1				EP0	DDQ		SHOE, Shift Lever
8	4740 236	1				EP0	DDQ		FORK PACKAGE, Shift
9	8350 2662	1				EP0	DDQ		FORK, Transmission
10	8350 0531	1				EP0	DDQ		BRACKET, Reverse Arm
11	8350 0549	2				EP0	DDQ		BOLT, Bearing Retainer
12	4746 659	1				EP0	DDQ		SHAFT, Gear Shift Fork, Number 3
13	4746 660	1				EP0	DDQ		SHAFT, Gear Shift Fork, Number 4
14	8350 0537	2				EP0	DDQ		PIN, Shift Shaft
15	8350 0541	1				EP0	DDQ		PIN, Interlock, 21.6mm
16	8350 0524	1				EP0	DDQ		PLUG, Transmission
17	8350 0638	1				EP0	DDQ		SPRING, Compression Shift
18	8350 0542	7				EP0	DDQ		BALL, Gearshift Fork Lock
19	4746 658	1				EP0	DDQ		HEAD, Shifter Shaft
20	4746 656	1				EP0	DDQ		FORK, Transmission
21	8350 0536	1				EP0	DDQ		SHAFT, Selector
22	8350 0515	1				EP0	DDQ		PIN, Reverse
23	8350 0514	1				EP0	DDQ		SHAFT, Shift Lever
24	8350 6036	1				EP0	DDQ		BOLT
25	8350 0540	1				EP0	DDQ		PIN, Shift Shaft
26	8350 0636	1				EP0	DDQ		HOUSING, Shift Lever
27	8350 0544	1				EP0	DDQ		SPRING, Compression
28	8350 0543	1				EP0	DDQ		PIN, Interlock, 30.3mm
29	8350 6054	3				EP0	DDQ		SNAP RING
30	8350 6055	1				EP0	DDQ		SHAFT, Selector
31	8350 6047	1				EP0	DDQ		SHAFT, Selector
32	8350 0545	3				EP0	DDQ		SPRING, Compression Detent
33	4864 215	1				EP0	DDQ		CAP, Vent
34	4864 211	1				EP0	DDQ		RETAINER, Transmission
35	8350 3107	2				EP0	DDQ		BOLT
-36	8350 0525	2				EP0	DDQ		BOLT AND LOCK WASHER, Hex Head, M8x1.25x30
37	4882 436	1				EP0	DDQ		LEVER, Gearshift
38	8350 0520	1				EP0	DDQ		BOOT, Gearshift

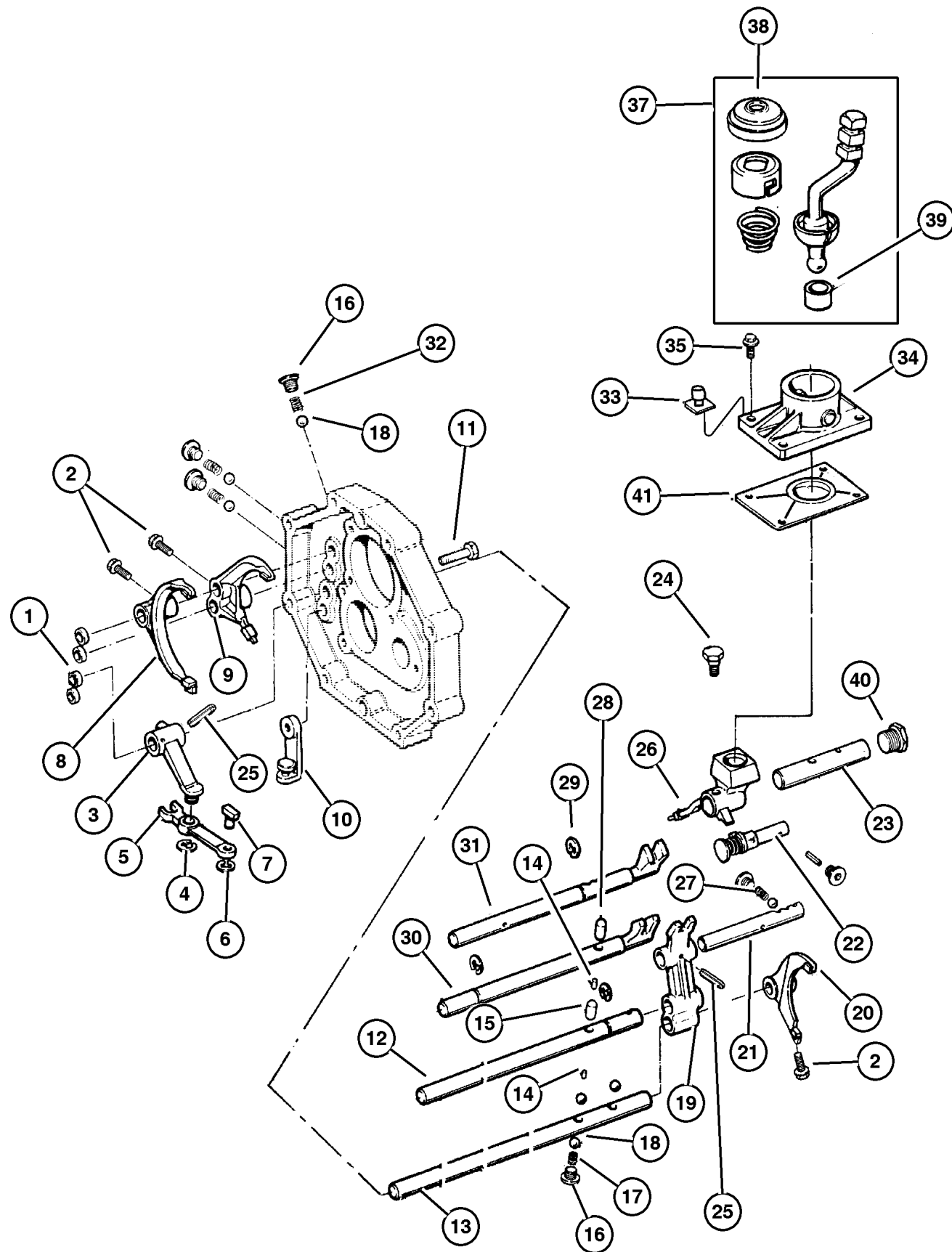
JEEP WRANGLER (TJ)

SERIES	LINE	BODY	ENGINE	TRANSMISSION
H = Sport	J = Wrangler 4WD	77 = 93.4 WB	EPE, EP0 = 2.5L Power Tech	DGG, DGD = 32RH 3 Spd. Auto.
L = SE	U = Wrangler 4WD (RHD)		ERH, ER0 = 4.0L Power Tech	DDQ = 5 Spd. Manual
P = Sahara				DDD = 5 Speed HD Manual
				DG0 = Auto. Trans.
				DBB = Manual Trans.

AR = Use as required - = Non illustrated part # = New this model year

September 16, 2005

Forks AX5 (DDQ)  
Figure AISIN-910



ITEM	PART NUMBER	QTY	LINE	SERIES	BODY	ENGINE	TRANS	TRIM	DESCRIPTION
39	8350 0519	1				EP0	DDQ		BUSHING, Shift Lever
40	8350 3109	1				EP0	DDQ		CAP, Detent
41	4864 216	1				EP0	DDQ		SHIELD, Transmission

**JEEP WRANGLER (TJ)**

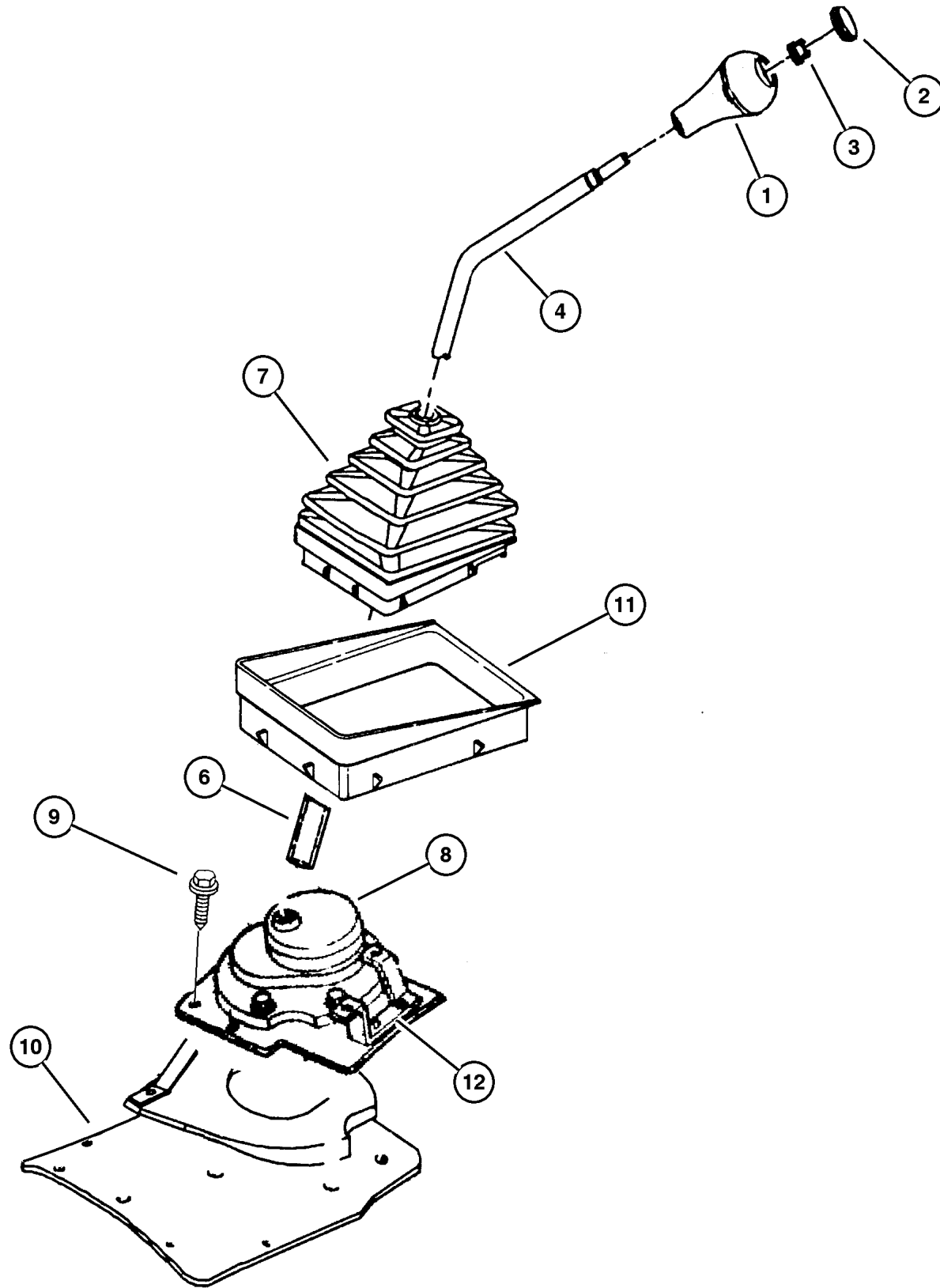
SERIES	LINE	BODY	ENGINE	TRANSMISSION
H = Sport	J = Wrangler 4WD	77 = 93.4 WB	EPE, EP0 = 2.5L Power Tech	DGG, DGD = 32RH 3 Spd. Auto.
L = SE	U = Wrangler 4WD (RHD)		ERH, ER0 = 4.0L Power Tech	DDQ = 5 Spd. Manual
P = Sahara				DDD = 5 Speed HD Manual
				DG0 = Auto. Trans.
				DBB = Manual Trans.

AR = Use as required - = Non illustrated part # = New this model year

September 16, 2005

**Gearshift Controls (DDQ)  
Figure AISIN-1210**

ITEM	PART NUMBER	QTY	LINE	SERIES	BODY	ENGINE	TRANS	TRIM	DESCRIPTION
NOTE; Sales Code									
[DBB] = All Manual Transmissions									
1	5210 4174	1					DBB		KNOB, Gearshift
2	4446 921	1					DBB		INSERT, Transmission Shift Knob
3	6502 556	1					DBB		NUT, Hex, M10-1.5
4									LEVER, Gearshift
	52078 576AC	1	J				DBB		
	52078 579AC	1	U				DBB		
-5									LEVER, Gearshift
	52078 579AC-	1	U				DBB		
	52078 576AC-	1	J				DBB		
6	5210 4012	1					DBB		TUBE, Governor Support
7	5207 8558	1					DBB		BOOT, Gear Shift Lever
8	52078 970AC	1					DBB		BOOT, Inner Gearshift
9									SCREW, Hex Flange Head, M4.2x1.41x13.00, (NOT SERVICED) (Not Serviced)
10	5207 8971	1					DBB		COVER, Floor Pan
11	5300 0056	1					DBB		BEZEL, Gearshift Lever Boot
12	3420 1035	3					DBB		RIVET, M4x12 Aluminum



**JEEP WRANGLER (TJ)**

SERIES	LINE	BODY	ENGINE	TRANSMISSION
H = Sport	J = Wrangler 4WD	77 = 93.4 WB	EPE, EP0 = 2.5L Power Tech	DGG, DGD = 32RH 3 Spd. Auto.
L = SE	U = Wrangler 4WD (RHD)		ERH, ER0 = 4.0L Power Tech	DDQ = 5 Spd. Manual
P = Sahara				DDD = 5 Speed HD Manual
				DG0 = Auto. Trans.
				DBB = Manual Trans.

AR = Use as required - = Non illustrated part # = New this model year

September 16, 2005

# Group – 231

## Transfer Case Model 231 [DHJ, DHK, DHN]

### GROUP 231 - Transfer Case Model 231 [DHJ, DHK, DHN]

Illustration Title

Group-Fig. No.

#### Transfer Case Assembly

Transfer Case Command Trac (DHN) ..... Fig. 231-110

#### Case and Related Parts

Case and Related Parts Command Trac (DHN) ..... Fig. 231-210

#### Gear Train

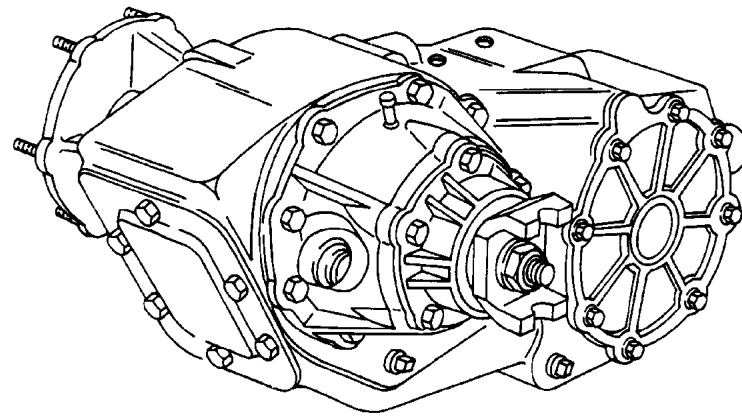
Gear Train Command Trac (DHN) ..... Fig. 231-410

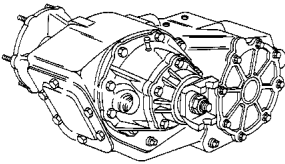
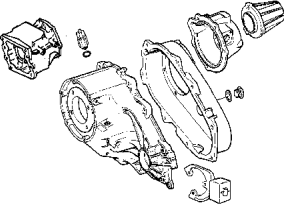
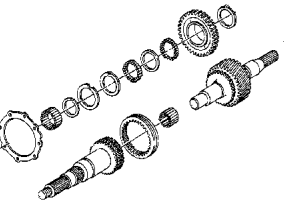
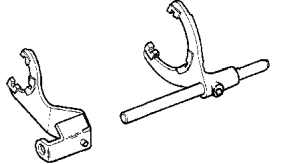

#### Fork and Rails

Forks and Rails Command Trac (DHN) ..... Fig. 231-910

#### Gearshift Controls

Gearshift Controls Command Trac (DHN) ..... Fig. 231-1210



<p><b>231-100</b> Transfer Case Assembly</p> 	<p><b>231-200</b> Case and Related Parts</p> 	<p><b>231-400</b> Gear Train</p> 	<p><b>231-900</b> Fork and Rails</p> 
<p><b>231-1200</b> Gearshift Controls</p> 			

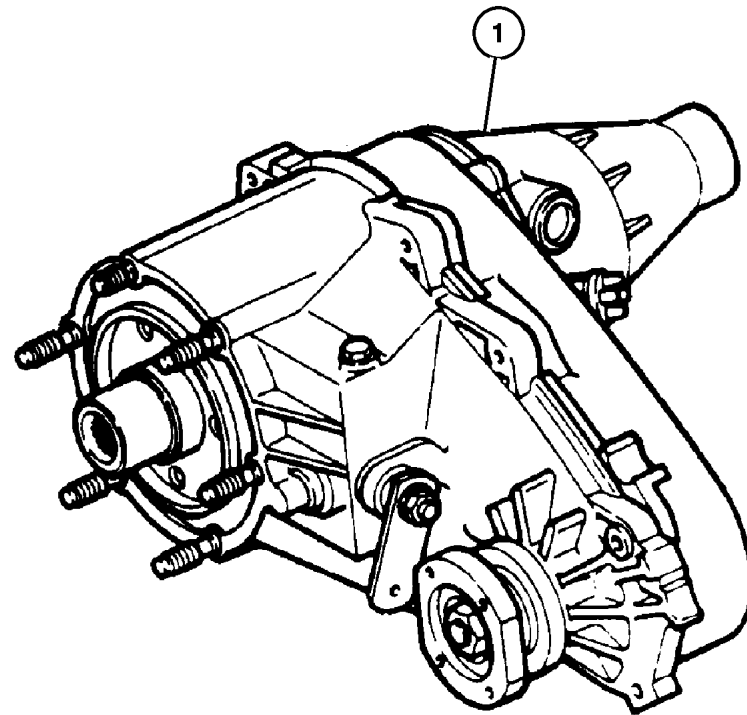


**Transfer Case Command Trac (DHN)  
Figure 231-110**

ITEM	PART NUMBER	QTY	LINE	SERIES	BODY	ENGINE	TRANS	TRIM	DESCRIPTION
------	-------------	-----	------	--------	------	--------	-------	------	-------------

NOTE; Sales Codes  
 [DBB] = All Manual Transmissions  
 [DG0] = All Automatic Transmissions  
 [EP0] = All 2.5L 4 Cylinder Gas Engines  
 [ER0] = All 4.0L 6 Cylinder Gas Engines

1									TRANSFER CASE, NV231
	52099 211AB	1				EP0, ER0	DG0		
	52099 364AB	1				EP0	DBB		
	52111 252AA	1				EP0, ER0	DBB		

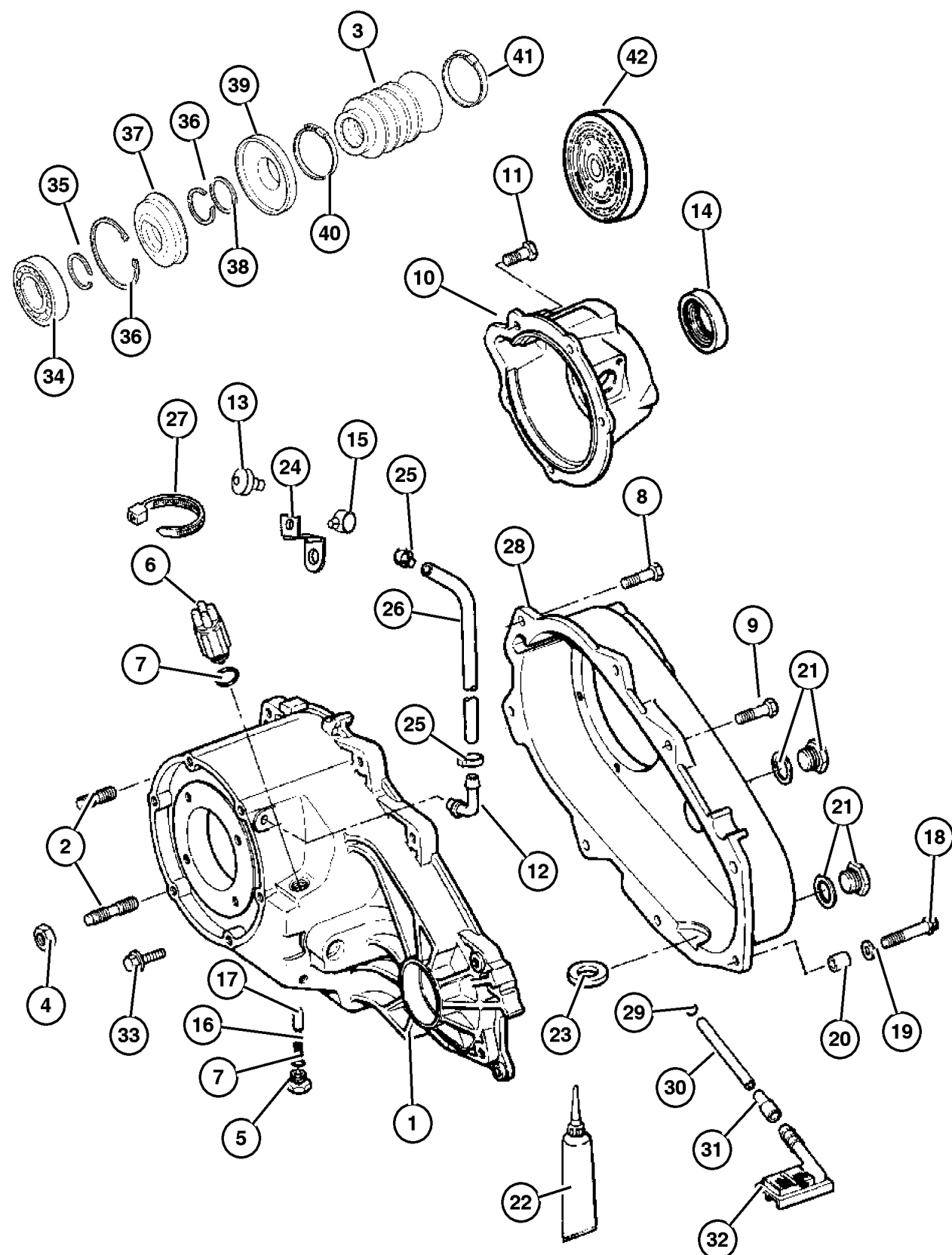


JEEP WRANGLER (TJ)			
SERIES	LINE	BODY	TRANSMISSION
H = Sport	J = Wrangler 4WD	77 = 93.4 WB	DGG, DGD = 32RH 3 Spd. Auto.
L = SE	U = Wrangler 4WD (RHD)		DDQ = 5 Spd. Manual
P = Sahara			DDD = 5 Speed HD Manual
			DG0 = Auto. Trans.
			DBB = Manual Trans.

AR = Use as required - = Non illustrated part # = New this model year

September 16, 2005

Case and Related Parts Command Trac (DHN)  
Figure 231-210



ITEM	PART NUMBER	QTY	LINE	SERIES	BODY	ENGINE	TRANS	TRIM	DESCRIPTION
1	4798 111	1				EP0, ER0	DG0		CASE, Transfer Front 52099211AB
		1				EP0, ER0	DBB		
2	4505 365	6				EP0, ER0	DG0		STUD, 52099211AB
3	4798 123	1				EP0, ER0	DG0		BOOT, Driveshaft 52099211AB
	5017 825AA	1				EP0, ER0	DBB		
		1				EP0, ER0	DBB		
4	J400 6681	6				EP0	DD0		NUT AND CONED WASHER, Hex, .375-24
		6				EP0	DG0		
		6				ER0			
5	4886 473AA	1				EP0, ER0	DG0		SCREW, 52099211AB
6	J813 4473	1				EP0, ER0	DG0		SWITCH, Transfer Case Mode, 52099211AB
7	4338 956	1				EP0, ER0	DG0		SEAL, Vacuum Switch, 52099211AB
8	4210 617	5				EP0, ER0	DG0		BOLT, Transfer Case, 52099211AB
9	J813 0979	1				EP0, ER0	DG0		BOLT, Twelve Point Head, M10x1. 5x48, 52099211AB
10	4798 115	1				EP0, ER0	DG0		RETAINER, Transfer Case Rear 52099211AB
	5017 477AA	1				ER0	DBB		
11	6500 318	5				EP0, ER0	DG0		BOLT
12	4796 910	1				EP0, ER0	DG0		VENT, Transfer Case, 52099211AB
13	4796 910	1				EP0, ER0	DG0		VENT, Transfer Case
		1				EP0, ER0	DBB		
						ER0			

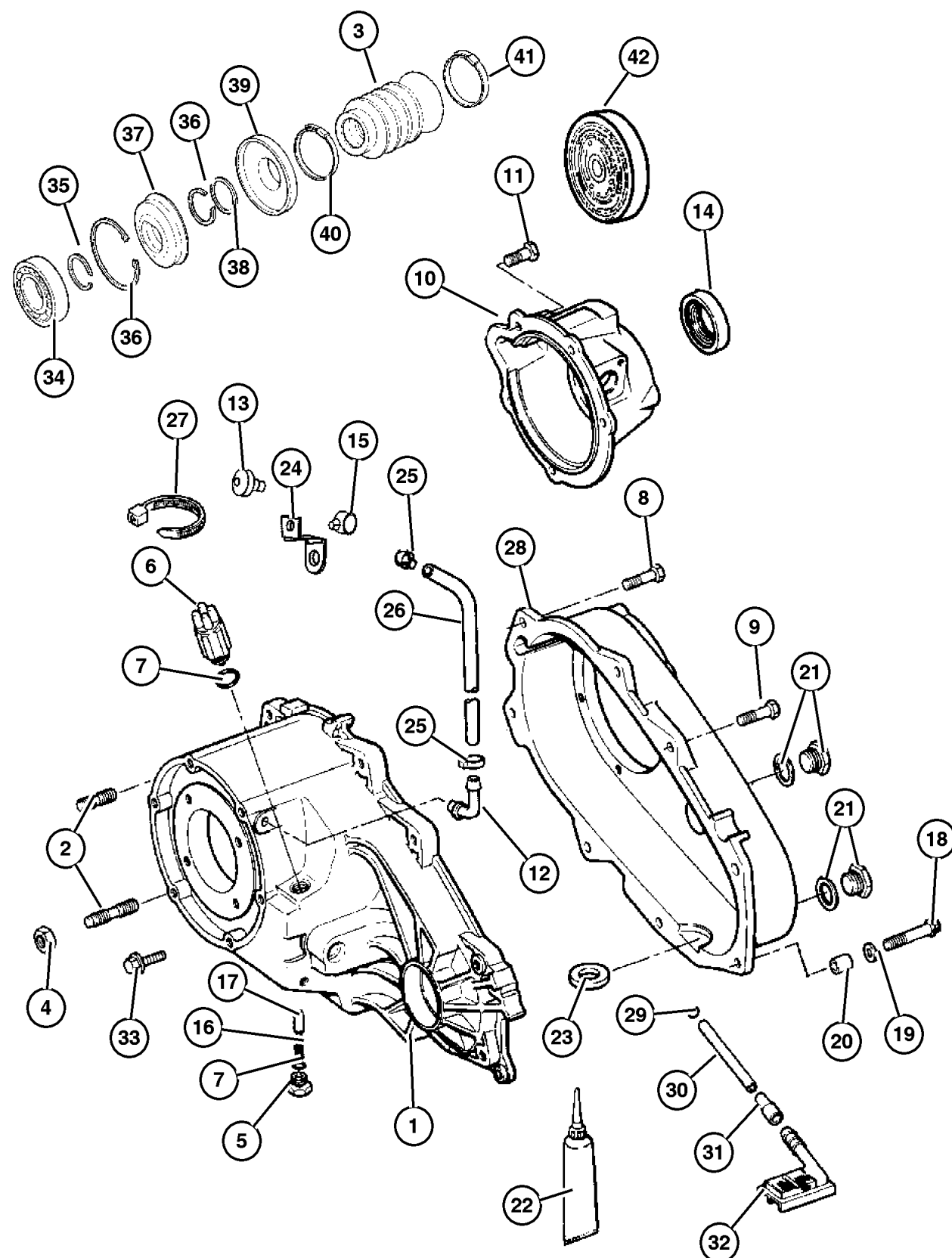
JEEP WRANGLER (TJ)

SERIES	LINE	BODY	ENGINE	TRANSMISSION
H = Sport	J = Wrangler 4WD	77 = 93.4 WB	EPE, EP0 = 2.5L Power Tech	DGG, DGD = 32RH 3 Spd. Auto.
L = SE	U = Wrangler 4WD (RHD)		ERH, ER0 = 4.0L Power Tech	DDQ = 5 Spd. Manual
P = Sahara				DDD = 5 Speed HD Manual
				DG0 = Auto. Trans.
				DBB = Manual Trans.

AR = Use as required - = Non illustrated part # = New this model year

September 16, 2005

Case and Related Parts Command Trac (DHN)  
Figure 231-210



ITEM	PART NUMBER	QTY	LINE	SERIES	BODY	ENGINE	TRANS	TRIM	DESCRIPTION
		1				EP0	DBB		
14	4798 117	1				EP0, ER0	DG0		SEAL, Output Shaft
15	J400 5701	1							CLIP, Wrap Around, Tube
16	4638 497	1				EP0, ER0	DG0		SPRING, Shift Detent
17	5300 8217	1				EP0, ER0	DG0		PLUNGER, 52099211AB
18	4210 614	2				EP0, ER0	DG0		BOLT, Hex Flange Head, 52099211AB
19	4210 983	2				EP0, ER0	DG0		WASHER, Flat, 52099211AB
20	4116 310	2				EP0, ER0	DG0		DOWEL, Transfer Case, 52099211AB
21	4856 641	2				EP0, ER0	DG0		PLUG, Oil Fill, 52099211AB
22	5010 884AA	1				EP0, ER0	DG0		SEALANT, RTV
23	3681 601	1				EP0, ER0	DG0		MAGNET, Transmission, 52099211AB
24	5209 8522	1				EP0, ER0			BRACKET, Tube
25	6502 081	2							CLAMP, Oil Cooler Line
26	HFV0 0516	1							HOSE, Fuel And Vapor, 25 Foot Roll 5/16"
27	J369 3058	1	J						STRAP, Retaining
		1	U						
28	4886 222AA	1				EP0, ER0	DG0		CASE, Transfer Rear, 52099211AB
29	4338 942	1				EP0, ER0	DG0		SEAL, Oil, 52099211AB
30	4338 941	1				EP0, ER0	DG0		TUBE, Oil Pickup, 52099211AB
31	4338 944	1				EP0, ER0	DG0		CONNECTOR, Oil Tube Pickup, 52099211AB
32	4338 943	1				EP0, ER0	DG0		FILTER, Transfer Case Oil, 52099211AB
33	4798 122	1				EP0, ER0	DG0		CLAMP, Boot

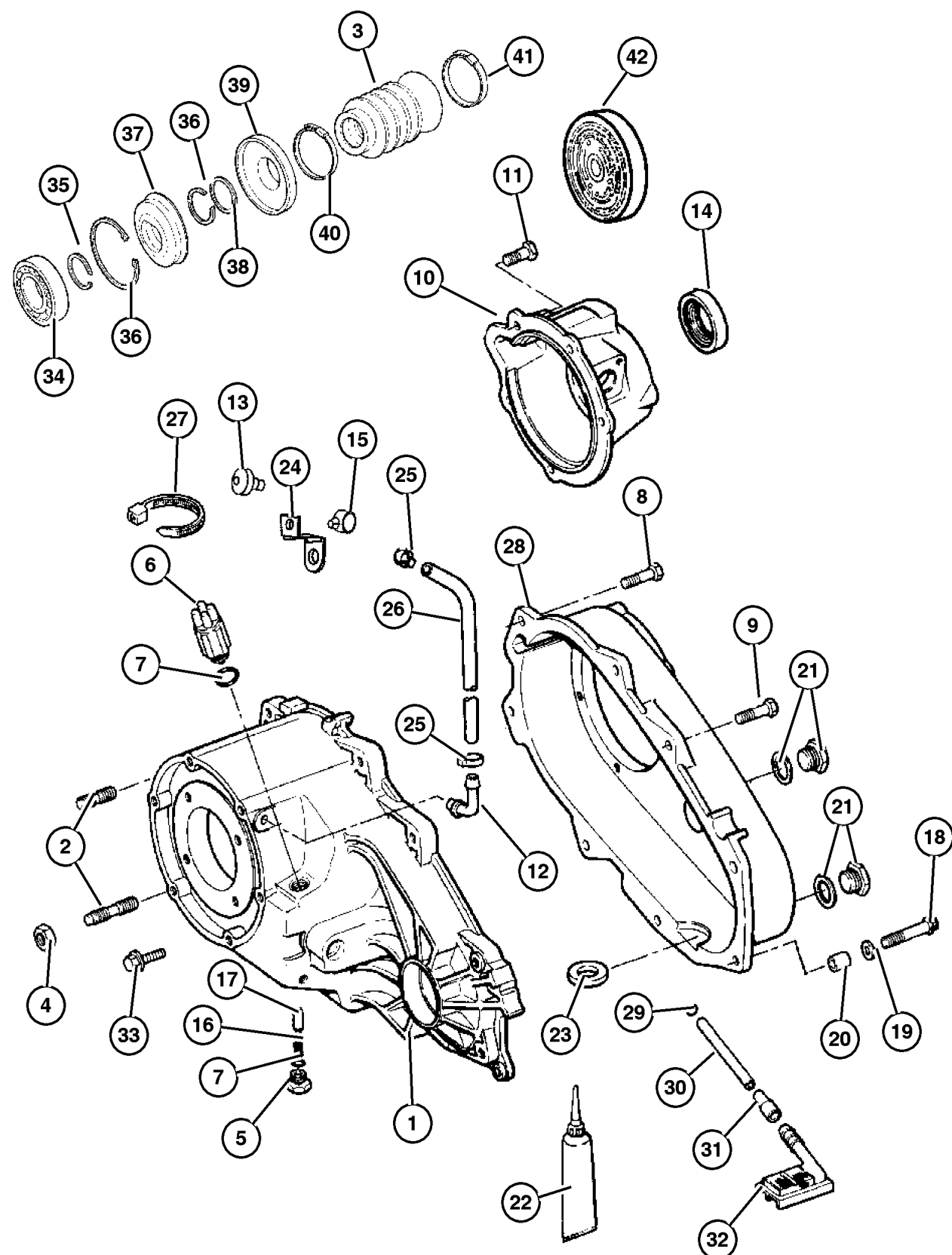
JEEP WRANGLER (TJ)

SERIES	LINE	BODY	ENGINE	TRANSMISSION
H = Sport	J = Wrangler 4WD	77 = 93.4 WB	EPE, EP0 = 2.5L Power Tech	DGG, DGD = 32RH 3 Spd. Auto.
L = SE	U = Wrangler 4WD (RHD)		ERH, ER0 = 4.0L Power Tech	DDQ = 5 Spd. Manual
P = Sahara				DDD = 5 Speed HD Manual
				DG0 = Auto. Trans.
				DBB = Manual Trans.

AR = Use as required - = Non illustrated part # = New this model year

September 16, 2005

Case and Related Parts Command Trac (DHN)  
Figure 231-210



ITEM	PART NUMBER	QTY	LINE	SERIES	BODY	ENGINE	TRANS	TRIM	DESCRIPTION
		1				EP0, ER0	DBB		
34	4338 892	1				EP0, ER0	DBB		BEARING, 52099211AB
35	4798 116	1				EP0, ER0	DG0		SNAP RING, 52099211AB
36	J813 4488	1				EP0, ER0	DG0		SNAP RING, 52099211AB
37	4798 117	1				EP0, ER0	DG0		SEAL, Output Shaft
38	2436 163	1				EP0, ER0	DG0		WASHER
39	5016 615AA	1				EP0, ER0	DBB		SLINGER, Oil
40	4798 121	1				EP0, ER0	DG0		CLAMP, Boot 52099211AB
	5017 823AA	1				EP0, ER0	DBB		52099364AB 52111252AA
41	4798 122	1				EP0, ER0	DG0		CLAMP, Boot, 52099211AB
42	5017 819AA	1				EP0, ER0	DBB		DAMPER, Transfer Case

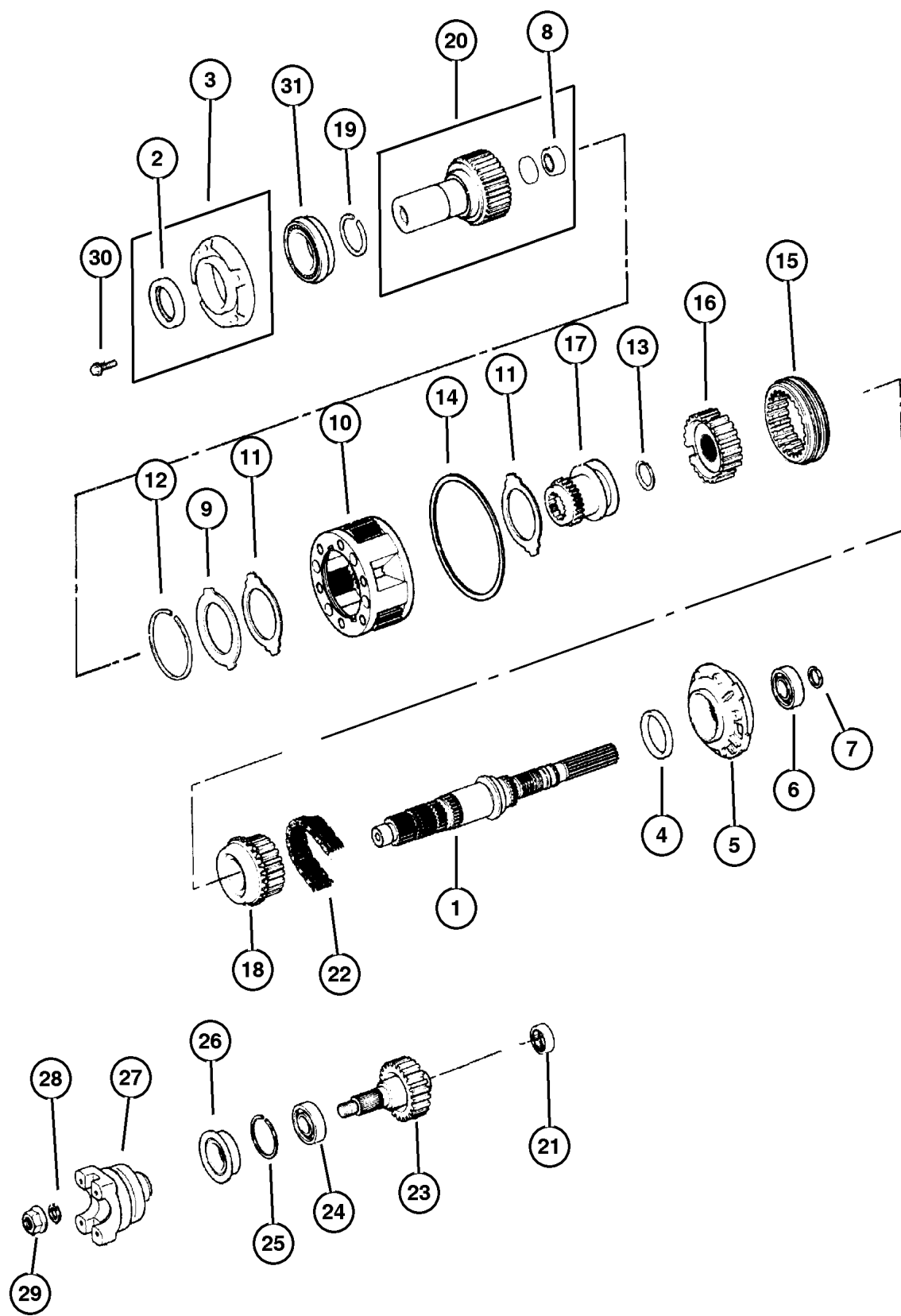
JEEP WRANGLER (TJ)

SERIES	LINE	BODY	ENGINE	TRANSMISSION
H = Sport	J = Wrangler 4WD	77 = 93.4 WB	EPE, EP0 = 2.5L Power Tech	DGG, DGD = 32RH 3 Spd. Auto.
L = SE	U = Wrangler 4WD (RHD)		ERH, ER0 = 4.0L Power Tech	DDQ = 5 Spd. Manual
P = Sahara				DDD = 5 Speed HD Manual
				DG0 = Auto. Trans.
				DBB = Manual Trans.

AR = Use as required - = Non illustrated part # = New this model year

September 16, 2005

**Gear Train Command Trac (DHN)  
Figure 231-410**

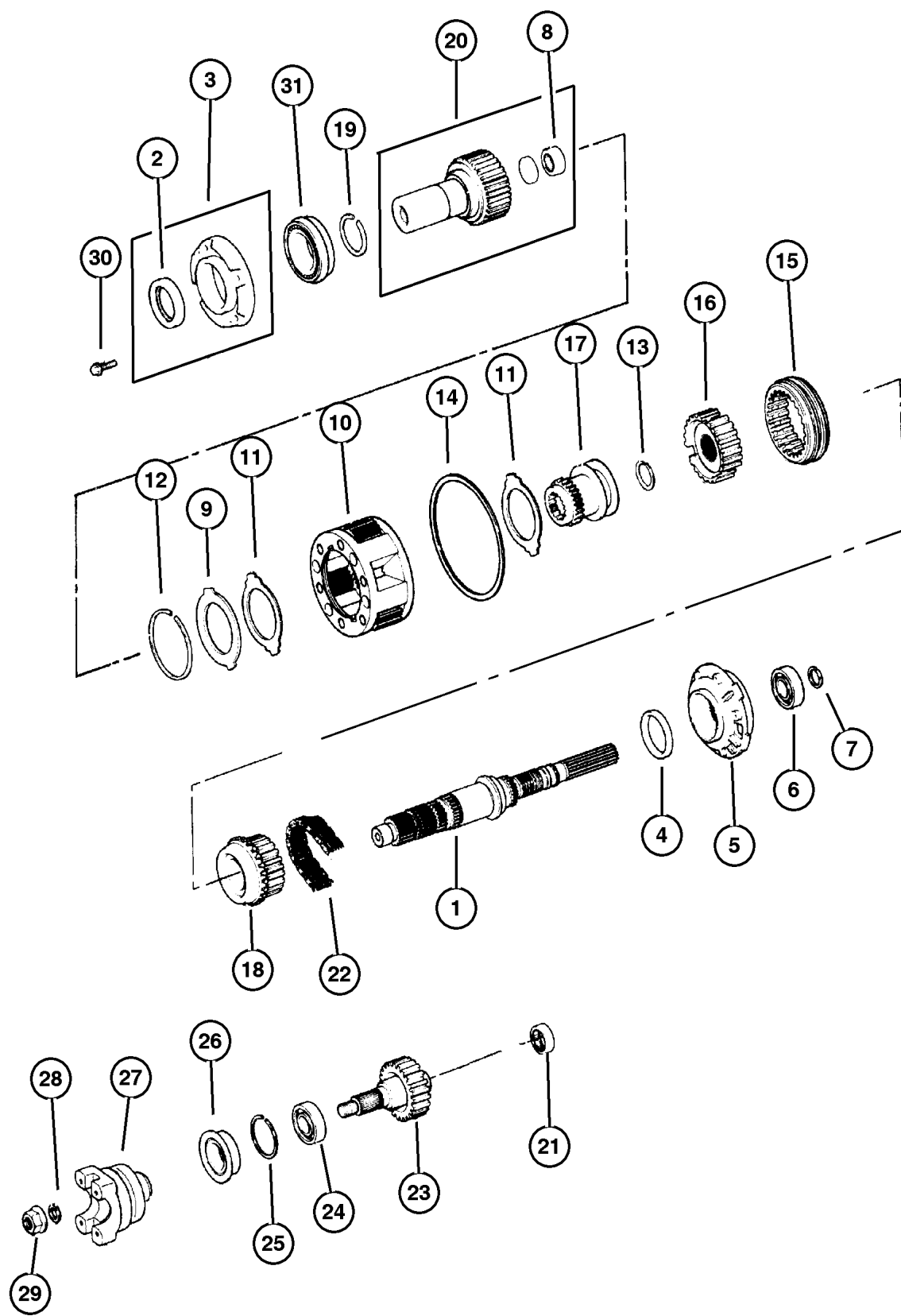


ITEM	PART NUMBER	QTY	LINE	SERIES	BODY	ENGINE	TRANS	TRIM	DESCRIPTION
1	5016 630AA	1				EP0, ER0	DG0		MAINSHAFT, Transfer Case
	5017 631AA	1				EP0, ER0	DBB		
2	4167 929	1				EP0, ER0	DG0		SEAL, Input Gear
3	4338 973	1				EP0, ER0	DG0		RETAINER
		1				EP0, ER0	DBB		
4	4210 603	1				EP0, ER0	DG0		SEAL, Main Shaft
		1				EP0, ER0	DBB		
5	4338 936	1				EP0, ER0	DG0		PUMP, Transfer Case Oil
		1				EP0, ER0	DBB		
6	4338 892	1				EP0, ER0	DG0		BEARING
		1				EP0, ER0	DBB		
7	J813 4488	1				EP0, ER0	DG0		SNAP RING
		1				EP0, ER0	DBB		
		1				EP0, ER0	DBB		
8									BEARING, Input Shaft

**JEEP WRANGLER (TJ)**  
 SERIES LINE BODY ENGINE TRANSMISSION  
 H = Sport J = Wrangler 4WD 77 = 93.4 WB EPE, EP0 = 2.5L Power Tech DGG, DGD = 32RH 3 Spd. Auto.  
 L = SE U = Wrangler 4WD (RHD) ERH, ER0 = 4.0L Power Tech DDQ = 5 Spd. Manual  
 P = Sahara DDD = 5 Speed HD Manual  
 DG0 = Auto. Trans.  
 DBB = Manual Trans.

AR = Use as required - = Non illustrated part # = New this model year

**Gear Train Command Trac (DHN)  
Figure 231-410**

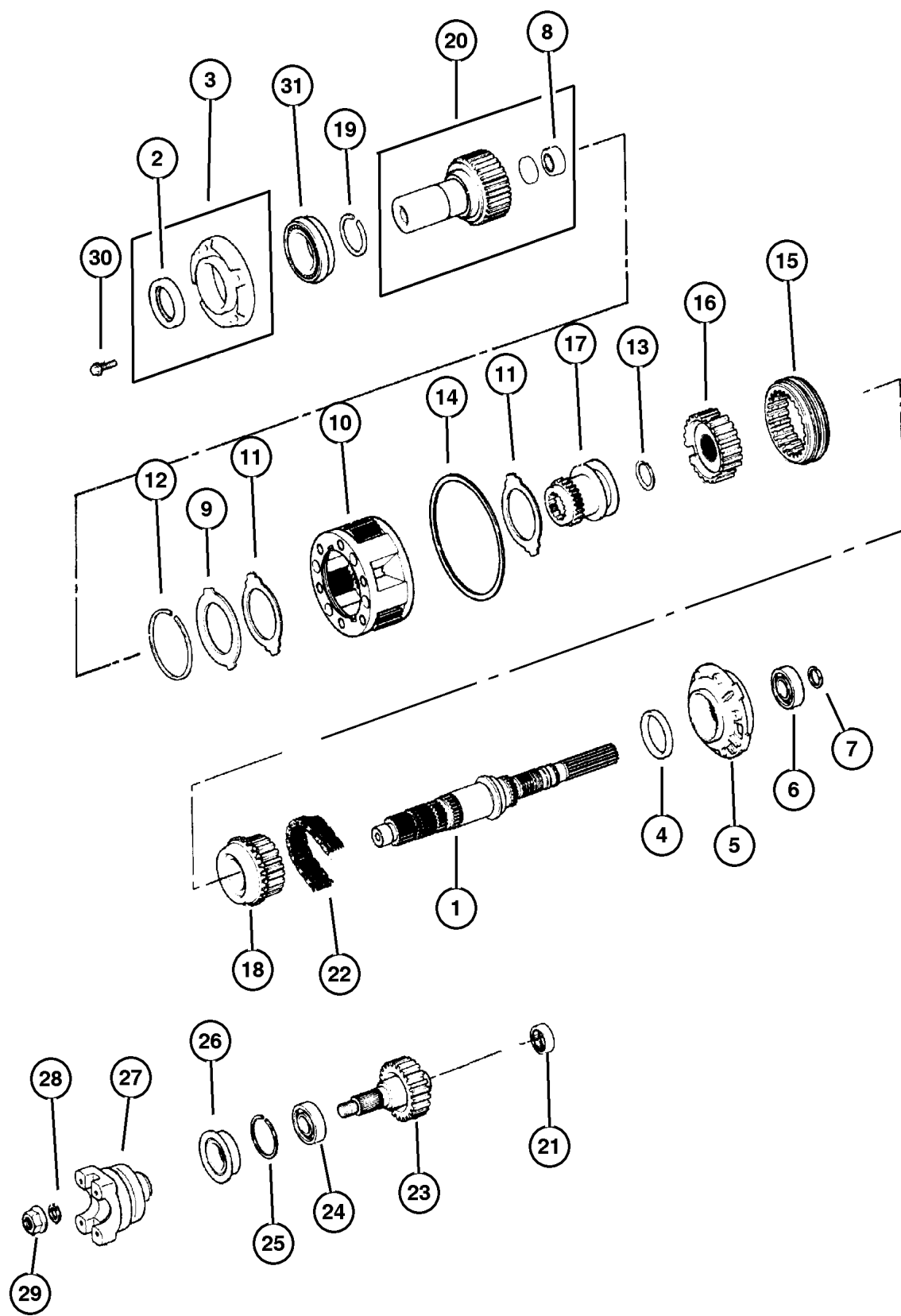


ITEM	PART NUMBER	QTY	LINE	SERIES	BODY	ENGINE	TRANS	TRIM	DESCRIPTION
	8350 3507	1				EP0,	DG0		
		1				ER0			
		1				EP0,	DBB		
		1				ER0			
9		1				EP0	DBB		
	4338 909	1				EP0,	DG0		RING
		1				ER0			
		1				EP0,	DBB		
10		1				ER0			PLANETARY, Transfer Case
	4796 903	1				EP0,	DG0		
		1				ER0			
		1				EP0,	DBB		
		1				ER0			
11		1				EP0	DBB		
	4338 908	2				EP0,	DG0		THRUST WASHER, Planetary Carrier
		2				ER0			
		2				EP0,	DBB		
		2				ER0			
12		1				EP0	DBB		
	4338 910	1				EP0,	DG0		SNAP RING
		1				ER0			
		1				EP0,	DBB		
		1				ER0			
13		1				EP0	DBB		
	4338 933	1				EP0,	DG0		SNAP RING
		1				ER0			
		1				EP0,	DBB		
		1				ER0			
14		1				EP0,	DG0		SNAP RING, Annulus Gear
	4219 065	1				EP0,			
		1				ER0			
		1				EP0,	DBB		
		1				ER0			
15		1				EP0	DBB		SLEEVE, Mode Synchronizer

**JEEP WRANGLER (TJ)**

SERIES	LINE	BODY	ENGINE	TRANSMISSION
H = Sport	J = Wrangler 4WD	77 = 93.4 WB	EPE, EP0 = 2.5L Power Tech	DGG, DGD = 32RH 3 Spd. Auto.
L = SE	U = Wrangler 4WD (RHD)		ERH, ER0 = 4.0L Power Tech	DDQ = 5 Spd. Manual
P = Sahara				DDD = 5 Speed HD Manual
				DG0 = Auto. Trans.
				DBB = Manual Trans.

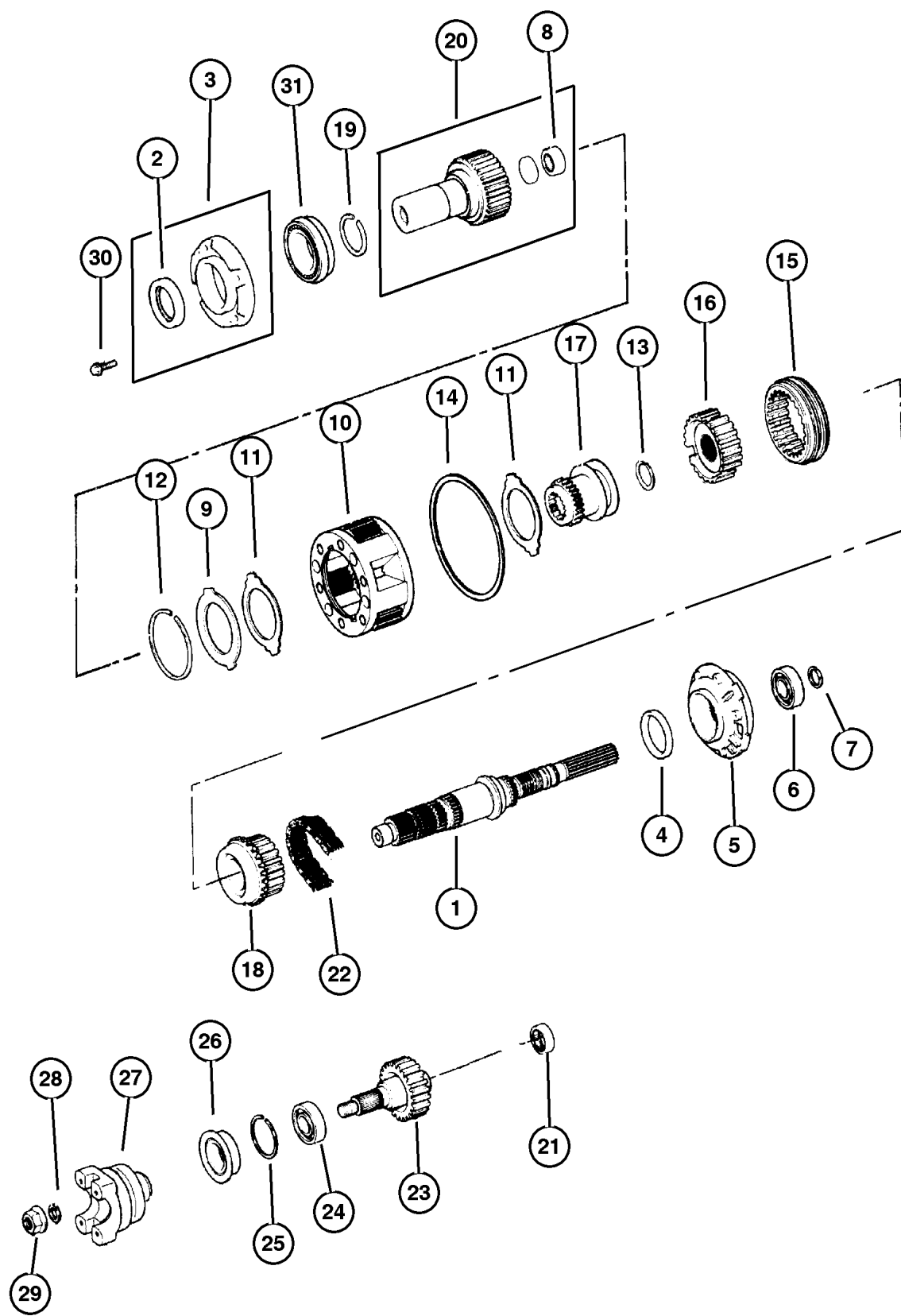
**Gear Train Command Trac (DHN)  
Figure 231-410**



ITEM	PART NUMBER	QTY	LINE	SERIES	BODY	ENGINE	TRANS	TRIM	DESCRIPTION
	4796 909	1				EP0, ER0	DG0		
		1				EP0, ER0	DBB		
		1				EP0	DBB		
16	4741 240	1				EP0, ER0	DG0		HUB, Synchronizer Mode
		1				EP0, ER0	DBB		
		1				EP0	DBB		
17	4797 013	1				EP0, ER0	DG0		SLEEVE, Shift Range
		1				EP0, ER0	DBB		
		1				EP0	DBB		
18	4796 908	1				EP0, ER0	DG0		SPROCKET, Transfer Case
		1				EP0, ER0	DBB		
		1				EP0	DBB		
19	3821 558	1				EP0, ER0	DG0		SNAP RING
		1				EP0, ER0	DBB		
		1				EP0, ER0	DBB		
20	4796 956	1				EP0	DBB		GEAR, Input
	4796 965	1				EP0, ER0	DG0		
		1				EP0, ER0	DBB		
		1				EP0, ER0	DBB		
21	4269 189	1				EP0, ER0	DG0		BEARING, Output Shaft
		1				EP0, ER0	DBB		
		1				EP0	DBB		
22									CHAIN, Transfer Case

**JEEP WRANGLER (TJ)**  
 SERIES LINE BODY ENGINE TRANSMISSION  
 H = Sport J = Wrangler 4WD 77 = 93.4 WB EPE, EP0 = 2.5L Power Tech DGG, DGD = 32RH 3 Spd. Auto.  
 L = SE U = Wrangler 4WD (RHD) ERH, ER0 = 4.0L Power Tech DDQ = 5 Spd. Manual  
 P = Sahara DDD = 5 Speed HD Manual  
 DG0 = Auto. Trans.  
 DBB = Manual Trans.

**Gear Train Command Trac (DHN)  
Figure 231-410**



ITEM	PART NUMBER	QTY	LINE	SERIES	BODY	ENGINE	TRANS	TRIM	DESCRIPTION
	4338 935	1				EP0, ER0	DG0		
		1				EP0, ER0	DBB		
		1				EP0	DBB		
23	4338 934	1				EP0, ER0	DG0		OUTPUT SHAFT, Transfer Case
		1				EP0, ER0	DBB		
		1				ER0 EP0	DBB		BEARING
24	4338 892	1				EP0, ER0	DG0		
		1				EP0, ER0	DBB		
		1				EP0	DBB		
25	4338 894	1				EP0, ER0	DG0		SNAP RING, Bearing
		1				EP0, ER0	DBB		
		1				ER0 EP0	DBB		SEAL
26	4798 112	1				EP0, ER0	DG0		
		1				EP0, ER0	DBB		
		1				EP0 ER0	DBB		
27	4798 120	1				EP0, ER0	DG0		YOKE, Transfer Case Output
		1				EP0, ER0	DBB		
		1				ER0 EP0	DBB		WASHER, Flat
28	4446 487	1				EP0, ER0	DG0		
		1				EP0, ER0	DBB		
		1				ER0 EP0	DBB		
29									NUT, Hex Flange

**JEEP WRANGLER (TJ)**

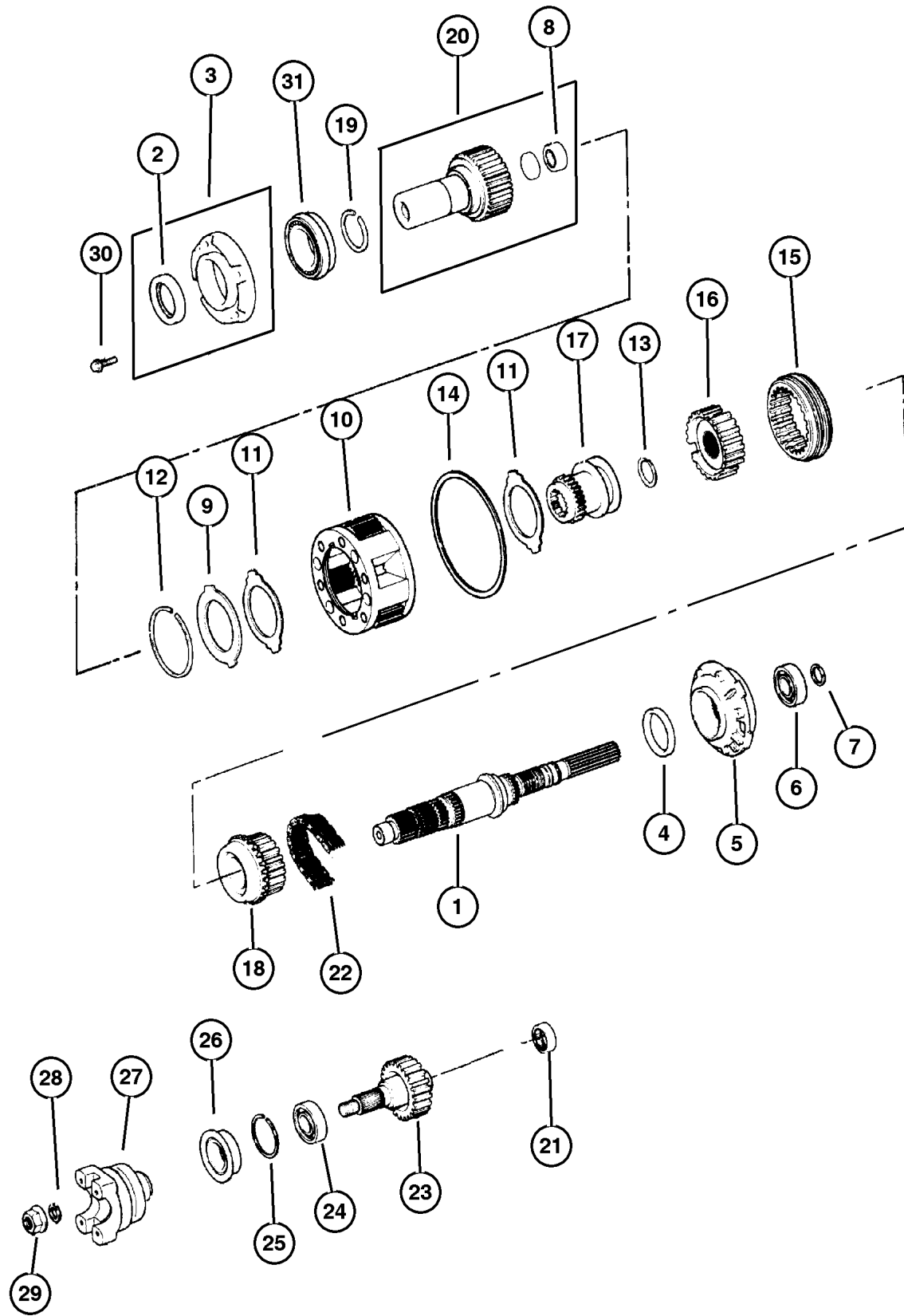
SERIES	LINE	BODY	ENGINE	TRANSMISSION
H = Sport	J = Wrangler 4WD	77 = 93.4 WB	EPE, EP0 = 2.5L Power Tech	DGG, DGD = 32RH 3 Spd. Auto.
L = SE	U = Wrangler 4WD (RHD)		ERH, ER0 = 4.0L Power Tech	DDQ = 5 Spd. Manual
P = Sahara				DDD = 5 Speed HD Manual
				DG0 = Auto. Trans.
				DBB = Manual Trans.

AR = Use as required - = Non illustrated part # = New this model year

September 16, 2005



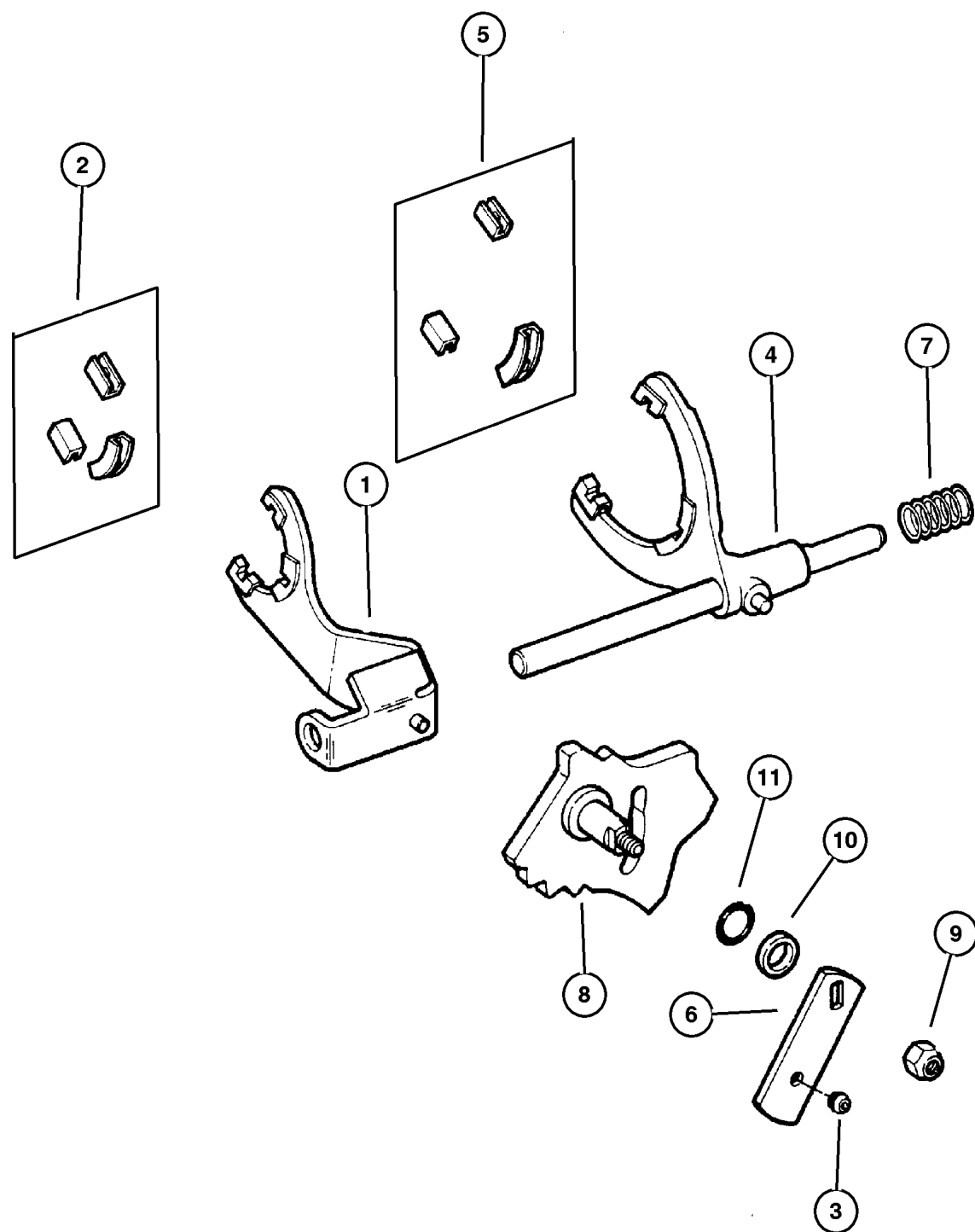
**Gear Train Command Trac (DHN)  
Figure 231-410**



ITEM	PART NUMBER	QTY	LINE	SERIES	BODY	ENGINE	TRANS	TRIM	DESCRIPTION
	4446 488	1				EP0,	DG0		
		1				ER0			
		1				EP0,	DBB		
		1				ER0			
		1				EP0	DBB		
30	6500 318	4				EP0,	DG0		BOLT
		4				ER0			
		4				EP0	DBB		
		4				ER0	DBB		
31	4746 155	1				EP0,	DG0		BEARING, Input Gear
		1				ER0			
		1				EP0,	DBB		
		1				ER0			
		1				EP0	DBB		

**JEEP WRANGLER (TJ)**  
 SERIES LINE BODY ENGINE TRANSMISSION  
 H = Sport J = Wrangler 4WD 77 = 93.4 WB EPE, EP0 = 2.5L Power Tech DGG, DGD = 32RH 3 Spd. Auto.  
 L = SE U = Wrangler 4WD (RHD) ERH, ER0 = 4.0L Power Tech DDQ = 5 Spd. Manual  
 P = Sahara DDD = 5 Speed HD Manual  
 DG0 = Auto. Trans.  
 DBB = Manual Trans.

Forks and Rails Command Trac (DHN)  
Figure 231-910



ITEM	PART NUMBER	QTY	LINE	SERIES	BODY	ENGINE	TRANS	TRIM	DESCRIPTION
NOTE; Sales Codes									
[DBB] = All Manual Transmissions									
[DG0] = All Automatic Transmissions									
[EP0] = All 2.5L 4 Cylinder Gas Engines									
[ER0] = All 4.0L 6 Cylinder Gas Engines									
1	4741 237	1				EP0, ER0	DG0		FORK, Transfer Case Mode Shift
		1				EP0, ER0	DBB		
2	4167 969	2				EP0, ER0	DG0		PAD, Shift Fork
		2				EP0, ER0	DBB		
3	5300 4810	1				EP0, ER0	DG0		BUSHING, Shift Lever
		1				EP0, ER0	DBB		
4	4798 136	1				EP0, ER0	DG0		FORK, Range
		1				EP0, ER0	DBB		
5	4219 073	1				EP0, ER0	DG0		PAD, Shift Fork
	4167 969	2				EP0, ER0	DBB		
6	4897 185AA	1				EP0, ER0	DG0		LEVER, Selector
		1				EP0, ER0	DBB		
7		1				EP0	DBB		SPRING, Mode Shift Rail

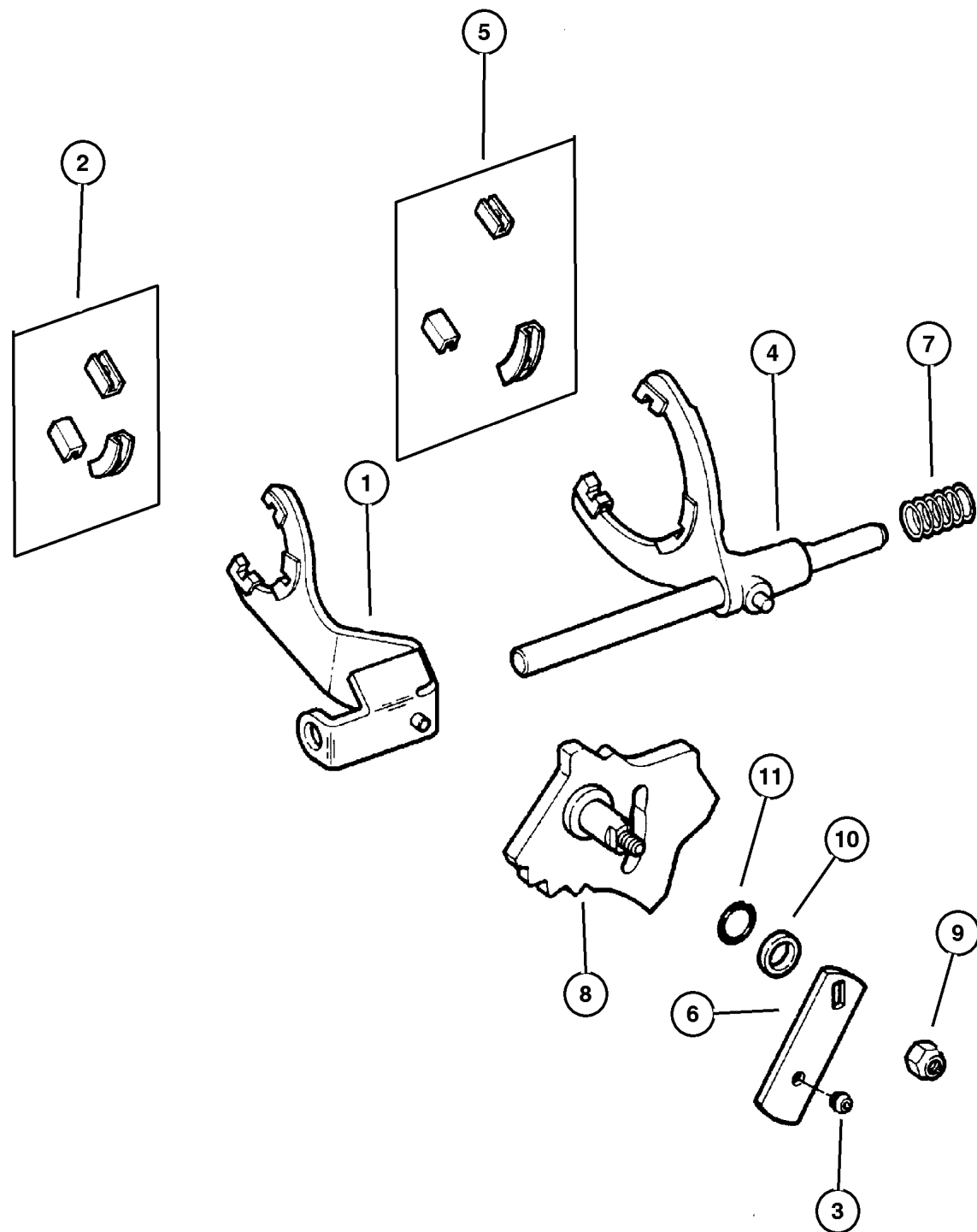
JEEP WRANGLER (TJ)

SERIES	LINE	BODY	ENGINE	TRANSMISSION
H = Sport	J = Wrangler 4WD	77 = 93.4 WB	EPE, EP0 = 2.5L Power Tech	DGG, DGD = 32RH 3 Spd. Auto.
L = SE	U = Wrangler 4WD (RHD)		ERH, ER0 = 4.0L Power Tech	DDQ = 5 Spd. Manual
P = Sahara				DDD = 5 Speed HD Manual
				DG0 = Auto. Trans.
				DBB = Manual Trans.

AR = Use as required - = Non illustrated part # = New this model year

September 16, 2005

Forks and Rails Command Trac (DHN)  
Figure 231-910



ITEM	PART NUMBER	QTY	LINE	SERIES	BODY	ENGINE	TRANS	TRIM	DESCRIPTION
	4338 925	1				EP0, ER0	DG0		
		1				EP0, ER0	DBB		
		1				EP0	DBB		
8	4638 845	1				EP0, ER0	DG0		SECTOR, Transfer Case
		1				EP0, ER0	DBB		
		1				EP0	DBB		
9	0152 345	1				EP0, ER0	DG0		NUT, Hex Flange Lock
		1				EP0, ER0	DBB		
		1				EP0	DBB		
10	4167 964	1				EP0, ER0	DG0		RETAINER, Rear Clutch
		1				EP0, ER0	DBB		
		1				EP0	DBB		
11	4167 963	1				EP0, ER0	DG0		SEAL, O-Ring
		1				EP0, ER0	DBB		
		1				EP0	DBB		

JEEP WRANGLER (TJ)

SERIES	LINE	BODY	ENGINE	TRANSMISSION
H = Sport	J = Wrangler 4WD	77 = 93.4 WB	EPE, EP0 = 2.5L Power Tech	DGG, DGD = 32RH 3 Spd. Auto.
L = SE	U = Wrangler 4WD (RHD)		ERH, ER0 = 4.0L Power Tech	DDQ = 5 Spd. Manual
P = Sahara				DDD = 5 Speed HD Manual
				DG0 = Auto. Trans.
				DBB = Manual Trans.

AR = Use as required - = Non illustrated part # = New this model year

September 16, 2005

**Gearshift Controls Command Trac (DHN)  
Figure 231-1210**

ITEM	PART NUMBER	QTY	LINE	SERIES	BODY	ENGINE	TRANS	TRIM	DESCRIPTION
------	-------------	-----	------	--------	------	--------	-------	------	-------------

NOTE; Sales Codes

[DBB] = All Manual Transmissions

[DG0] = All Automatic Transmissions

[EP0] = All 2.5L 4 Cylinder Gas Engines

[ER0] = All 4.0L 6 Cylinder Gas Engines

1									SHIFTER, Transfer Case
	52104 080AC	1	J						
	52104 081AC	1	U						
2	6503 811	4							BOLT, Hex Head, M6x1.00x20.00
3	5300 5154	1							GASKET, Gearshift Control Rod
4									GATE, Transfer Case Shifter, (NOT SERVICED) (Not Serviced)
5									SCREW, Hex Head, M5x0.8x16.00, (NOT SERVICED) (Not Serviced)
6	6100 839	2							NUT, Push, M5
7	5207 8134	1							BEARING, Transfer Case Shift
8									BUSHING, Shift Control
	5300 0639	2	J						
		2	U						RHD
9									LEVER, Transfer Case Shifter
	53005 150AB	1	J						
		1	U						RHD
10									GROMMET, Control Rod Front
	3575 333	1	J						
		1	U						
11	5210 4073	1							ROD, Gear Shift Control, Transfer Case
12									STRAP, Retaining
	J369 3058	1	J						
		1	U						RHD
13									SNAP RING
	1150 5389	1	J						
		1	U						
14	52104 017AB	1							BRACKET, Torque Shaft
15									ROD, Gear Shift Control, Transfer Case
	5207 8603	1				ER0	DG0		
		1				EP0			
16									BRACKET, Torque Shaft
	5207 8910	1				ER0	DBB		
	5207 8706	1				ER0	DG0		
		1				EP0			

**JEEP WRANGLER (TJ)**

SERIES  
H = Sport  
L = SE  
P = Sahara

LINE  
J = Wrangler 4WD  
U = Wrangler 4WD (RHD)

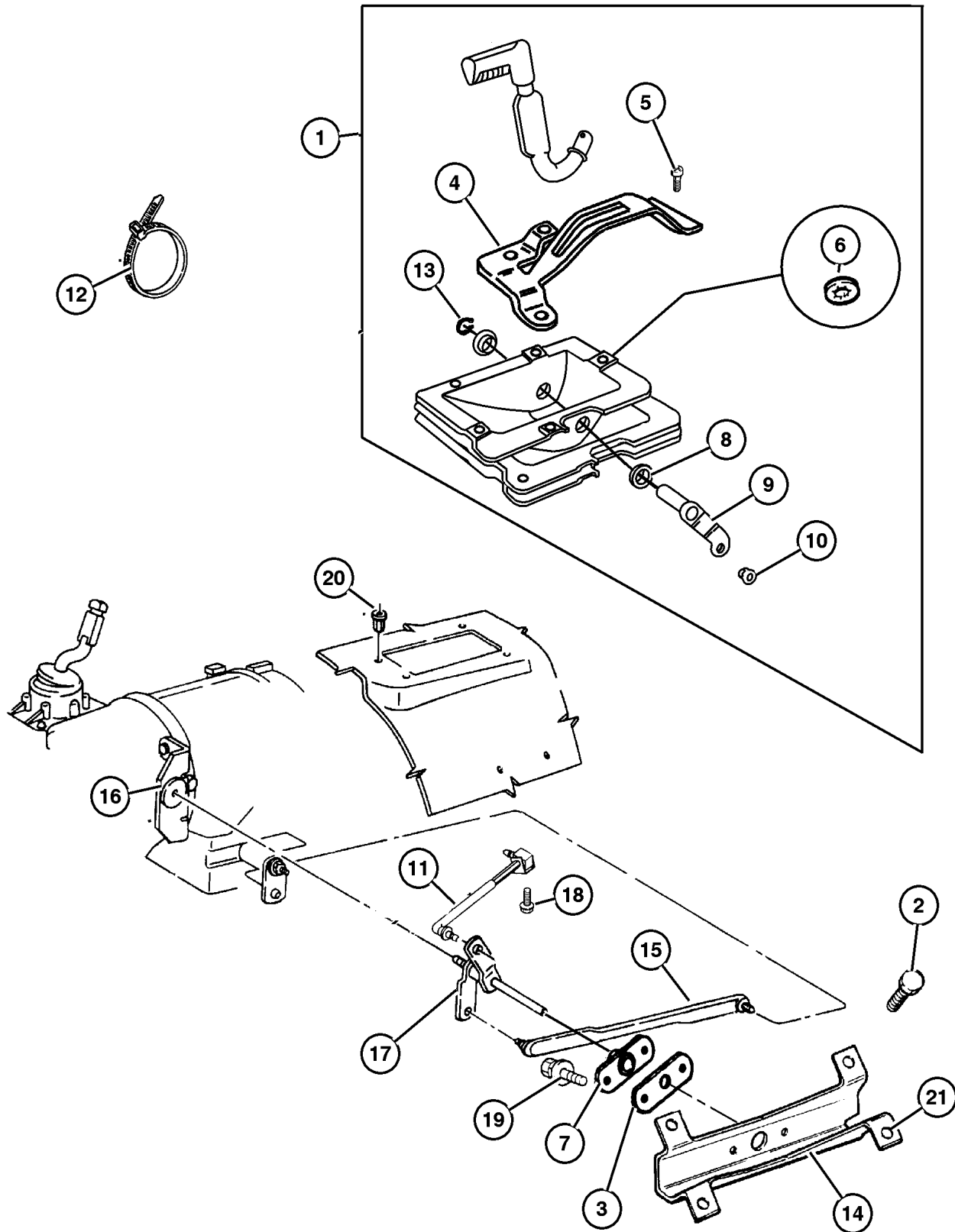
BODY  
77 = 93.4 WB

ENGINE  
EPE, EP0 = 2.5L Power Tech  
ERH, ER0 = 4.0L Power Tech

TRANSMISSION  
DGG, DGD = 32RH 3 Spd. Auto.  
DDQ = 5 Spd. Manual  
DDD = 5 Speed HD Manual  
DG0 = Auto. Trans.  
DBB = Manual Trans.

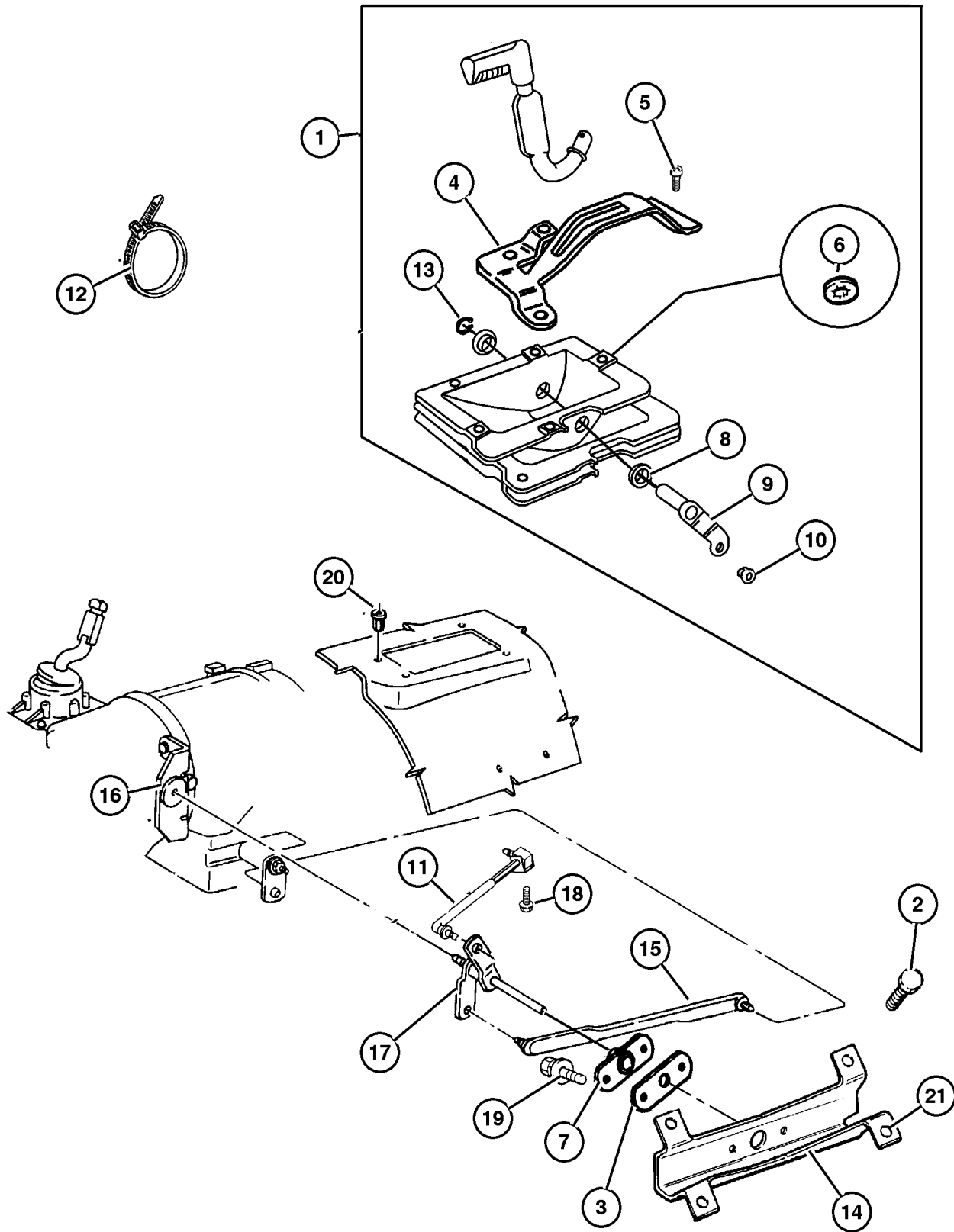
AR = Use as required - = Non illustrated part # = New this model year

September 16, 2005



**Gearshift Controls Command Trac (DHN)  
Figure 231-1210**

ITEM	PART NUMBER	QTY	LINE	SERIES	BODY	ENGINE	TRANS	TRIM	DESCRIPTION
17	5207 8872	1							ROD, Gear Shift Control, Transfer Case
18	J941 9683	1				EPO			BOLT, Hex Flange Head, .312-18x.625
19	3420 1381	2							SCREW, Hex Flange Head Tapping, M6x1.00x20.00
20	6504 601	5							NUT, Rivet Round, M5x0.80x11.09
21	5210 4014	4							GROMMET



<b>JEEP WRANGLER (TJ)</b>			
SERIES	LINE	BODY	ENGINE
H = Sport	J = Wrangler 4WD	77 = 93.4 WB	EPE, EP0 = 2.5L Power Tech
L = SE	U = Wrangler 4WD (RHD)		ERH, ER0 = 4.0L Power Tech
P = Sahara			
			TRANSMISSION
			DGG, DGD = 32RH 3 Spd. Auto.
			DDQ = 5 Spd. Manual
			DDD = 5 Speed HD Manual
			DG0 = Auto. Trans.
			DBB = Manual Trans.

AR = Use as required - = Non illustrated part # = New this model year

September 16, 2005

# Group – 21P

## Speedometer Pinions

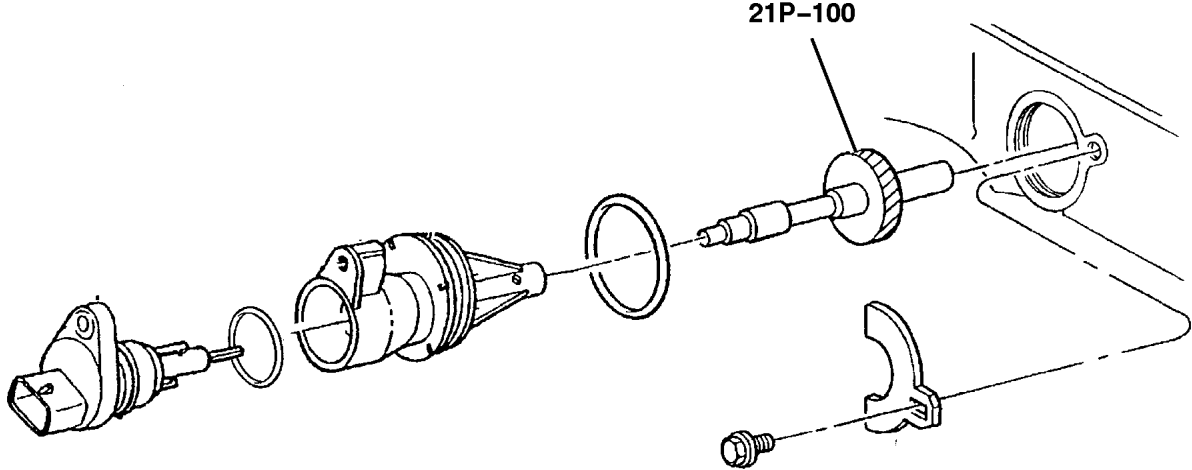
GROUP 21P - Speedometer Pinions

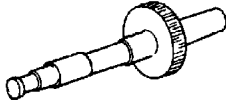
Illustration Title

Group-Fig. No.

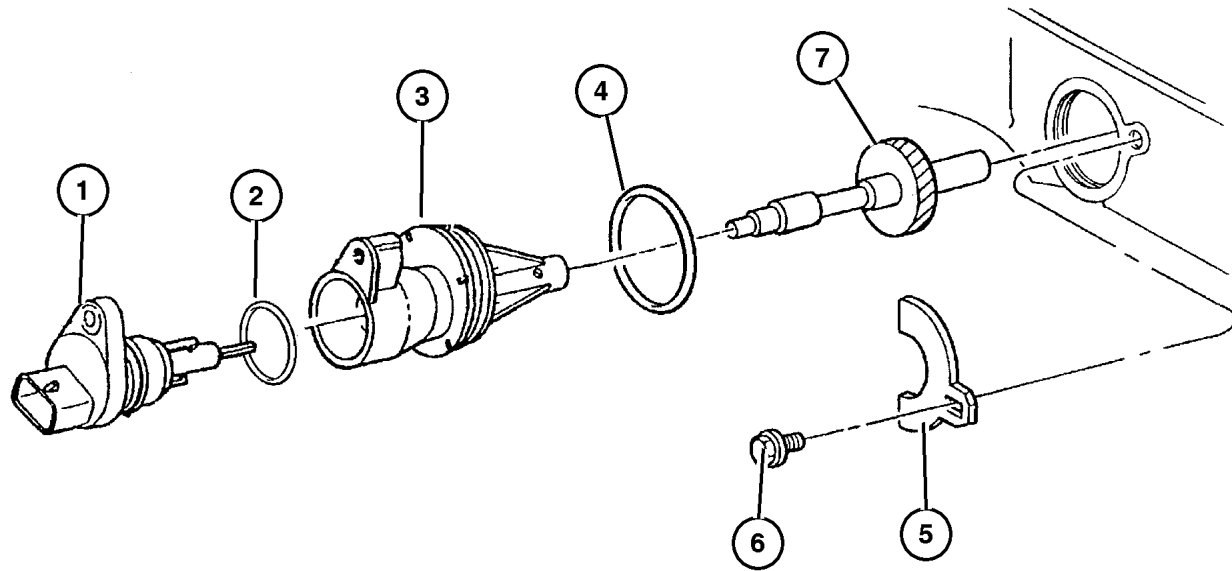
**Speedometer Pinions**

Speedometer Pinion And Housing ..... Fig. 21P-110



<p><b>21P-100</b> Speedometer Pinions</p> 			
---	--	--	--

## Speedometer Pinion And Housing Figure 21P-110



ITEM	PART NUMBER	QTY	LINE	SERIES	BODY	ENGINE	TRANS	TRIM	DESCRIPTION
NOTE; Sales Codes									
[DGG] = 3 Speed Automatic Transmissions [32 RH]									
1	5602 7905	1							SENSOR, Vehicle Speed
2	5602 8182	1							O RING
3	5206 9315	1							HOUSING, Speedometer Drive Gear
4	6035 709	1							O RING, Trans Speedo Adapter
5	2892 399	1							CLAMP, Speedometer
6	0180 077	1							BOLT, Hex Head, 5/16x18x3/4
7									PINION, Speedometer Drive
	5206 7628	1							3.07 AXLE RATIO, 28 Teeth. 30x9. 5R15 Wrangler OWL
	5206 7629	1							3.07 AXLE RATIO, 29Teeyh. All 225/245 Tires.
	5206 7631	1							3.07 AXLE RATIO, 31 Teeth, All 205 Tires.
	5206 7634	1							3.73 AXLE RATIO, 34 Teeth, 30x9. 5R15 Wrangler OWL Goodyear Tires.
	5206 7636	1							3.73 AXLE RATIO, 36 Teeth, P225/70R16 BSW VSB All(.P225/75R15 OWL Wrangler.P215/75R15 Wrangler.P215/75R15 OWL All TER. Goodyear .)
	5206 7637	1							3.73 AXLE RATIO, 37 Teeth, P205/75R15 Wrangler RT, Goodyear Tires
	5206 7639	1							4.11 AXLE RATIO, 39 Teeth, All 225/245 Tires
	5206 7640	1							4.11 AXLE RATIO, 40 Teeth, All 215 Tires. P2225/70R16 BSW VSB All.
	5206 7641	1							4.11 AXLE RATIO, 41 Teeth, All 205 Tires.

### JEEP WRANGLER (TJ)

SERIES	LINE	BODY	ENGINE	TRANSMISSION
H = Sport	J = Wrangler 4WD	77 = 93.4 WB	EPE, EP0 = 2.5L Power Tech	DGG, DGD = 32RH 3 Spd. Auto.
L = SE	U = Wrangler 4WD (RHD)		ERH, ER0 = 4.0L Power Tech	DDQ = 5 Spd. Manual
P = Sahara				DDD = 5 Speed HD Manual
				DG0 = Auto. Trans.
				DBB = Manual Trans.

AR = Use as required - = Non illustrated part # = New this model year

September 16, 2005

# Group – 022

## Wheels, Covers and Jacks

### GROUP 22 - Wheels, Covers and Jacks

Illustration Title

Group-Fig. No.

#### Wheels and Hardware

Wheels ..... Fig. 022-110

#### Wheel Covers and Center Caps

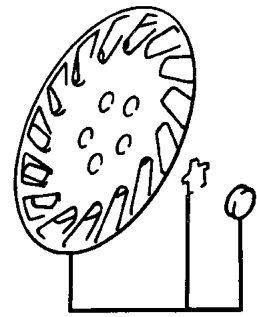
Caps And Covers ..... Fig. 022-210

#### Jack Stowage

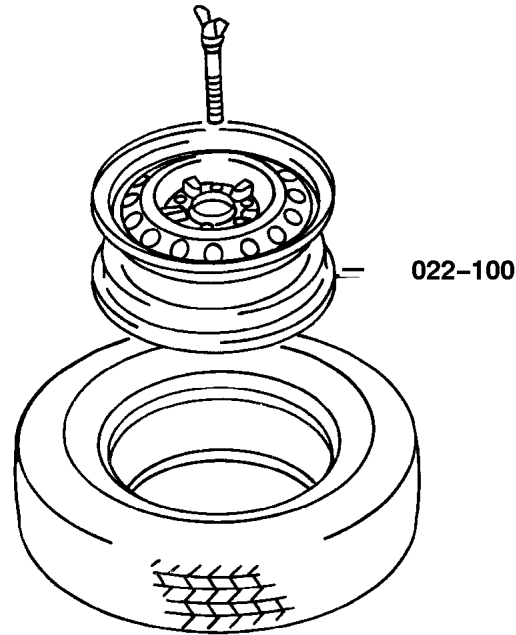
Jack And Storage ..... Fig. 022-310

#### Spare Tire Stowage

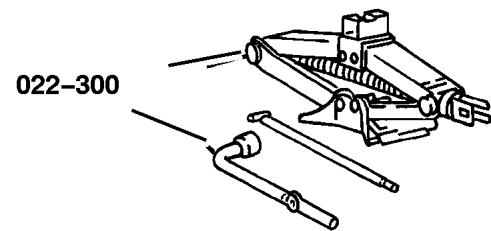
Wheel, Spare Tailgate Mounted ..... Fig. 022-410




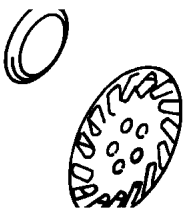
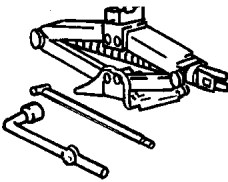
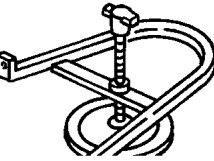
022-200



022-100

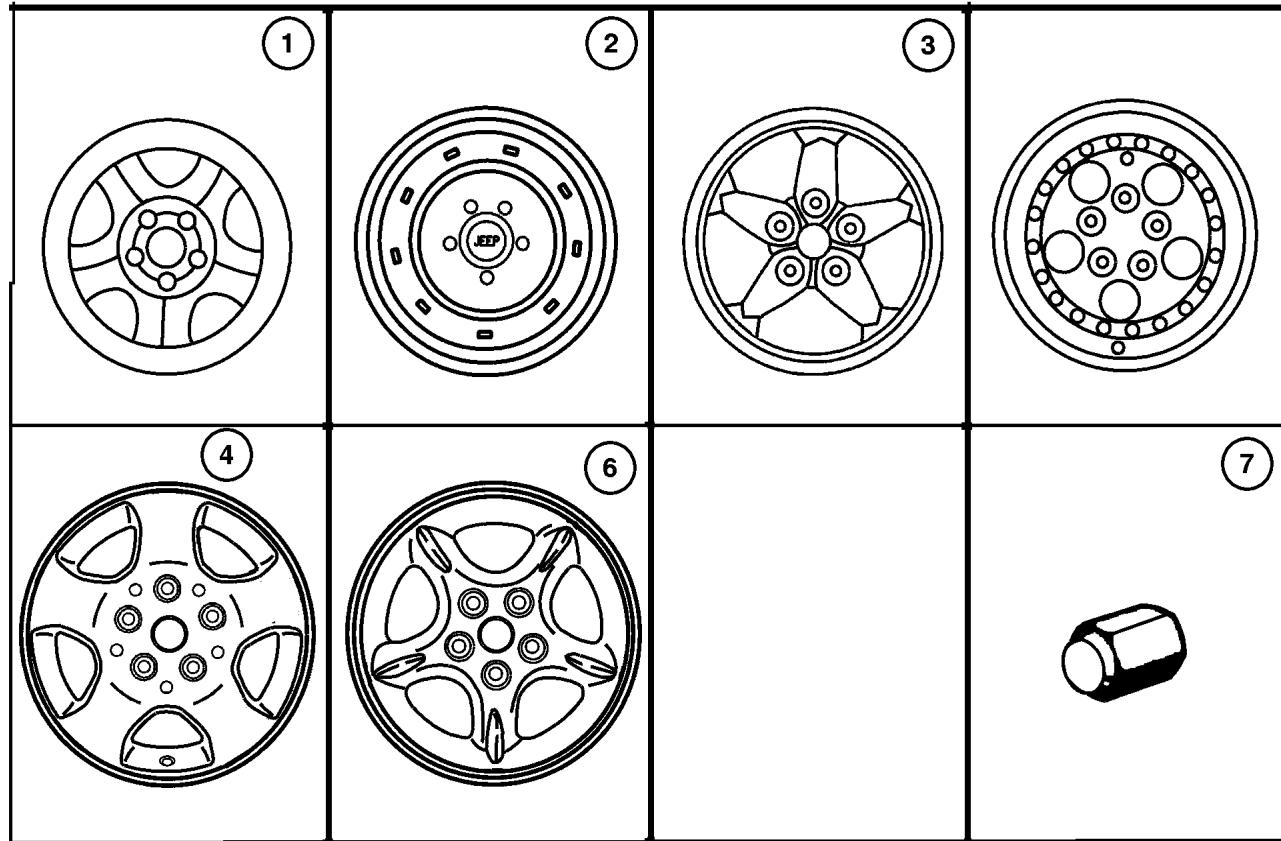


022-300

<p><b>022-100</b> Wheels and Hardware</p> 	<p><b>022-200</b> Wheel Covers and Center Caps</p> 	<p><b>022-300</b> Jack Stowage</p> 	<p><b>022-400</b> Spare Tire Stowage</p> 
---	--	---	--



## Wheels Figure 022-110



ITEM	PART NUMBER	QTY	LINE	SERIES	BODY	ENGINE	TRANS	TRIM	DESCRIPTION
Note: Sales Code WJK = 15x6.0 Steel Wheels									
Note: Sales Code WJ5 = 15x7.0 Steel Wheels									
Note: Sales Code WJ1 = 15x7.0 Aluminum Wheels									
Note: Sales Code WJ9 = 15x8.0 Aluminum Wheels									
Note: Sales Code WJU = 16x8.0 Aluminum Wheels									
1	5208 8140	1							WHEEL, Steel, 15x6 JJ Steel (WJK)
2	5FV63 S4AAC	4							WHEEL, Steel, 15x7 JJ Steel (WJ5)
3	5DR1 9TAE	4							WHEEL, Aluminum, 15x7 Aluminum (WJ1)
4	5GC81 TAEAA	4							WHEEL, Aluminum, 15x8 Aluminum (WJX)
-5	5FG56 PAKAB-	4							WHEEL, Aluminum, 16x7 Aluminum (WJU)
6	5GK75 PAKAA	4							WHEEL, Aluminum, [WDF]
7	6036 310AA	23							NUT, Wheel, .50x20

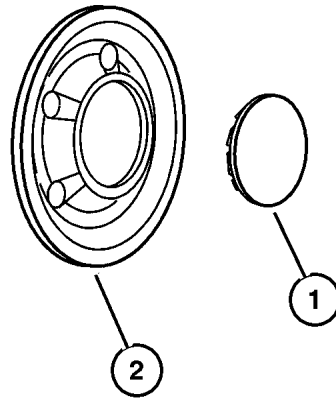
<b>JEEP WRANGLER (TJ)</b>				
SERIES	LINE	BODY	ENGINE	TRANSMISSION
H = Sport	J = Wrangler 4WD	77 = 93.4 WB	EPE, EP0 = 2.5L Power Tech	DGG, DGD = 32RH 3 Spd. Auto.
L = SE	U = Wrangler 4WD (RHD)		ERH, ER0 = 4.0L Power Tech	DDQ = 5 Spd. Manual
P = Sahara				DDD = 5 Speed HD Manual
				DG0 = Auto. Trans.
				DBB = Manual Trans.

AR = Use as required - = Non illustrated part # = New this model year

September 16, 2005

**Caps And Covers**  
**Figure 022-210**

ITEM	PART NUMBER	QTY	LINE	SERIES	BODY	ENGINE	TRANS	TRIM	DESCRIPTION
Note: Sales Code WJ9 = 15x8.0 Aluminum Wheels									
Note: Sales Code WJ5 = 15x7.0 Steel Wheels									
Note: Sales Code WJ1 = 15x7.0 Aluminum Wheels									
Note: Sales Code WJ9 = 15x8.0 Aluminum Wheels									
1	5DY0 7TAE	4							CAP, Wheel Center
2	5208 9008	4							CAP, Wheel Center
	5CF3 4L4A	4							WJK
	5DY0 7TAK	1							[WJ5]
-3	5CF9 7L3X	4							[WDU,WDF]
									CAP, Wheel Center, Brushed Aluminum "Jeep" Name, WJX

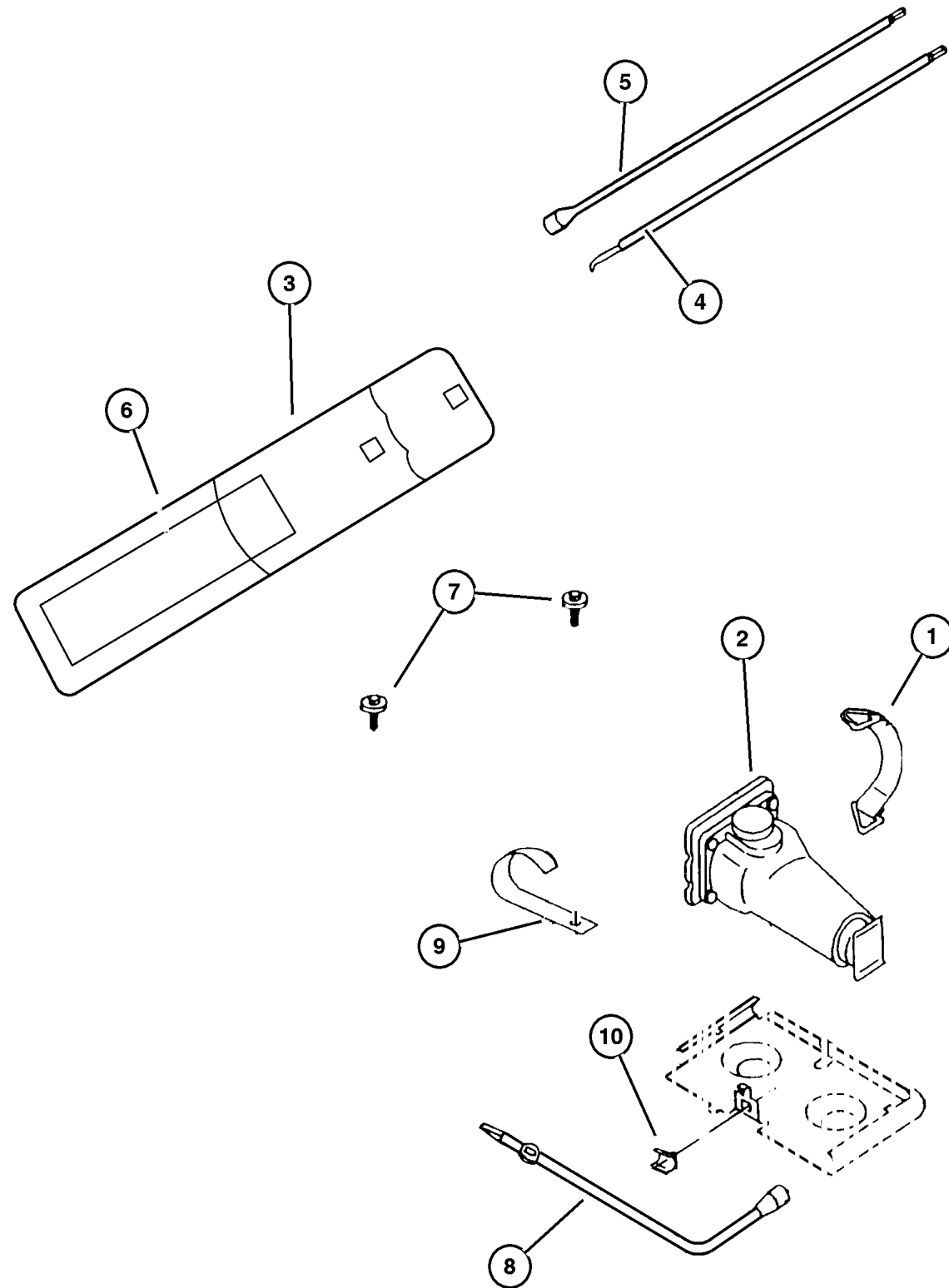


<b>JEEP WRANGLER (TJ)</b>				
SERIES	LINE	BODY	ENGINE	TRANSMISSION
H = Sport	J = Wrangler 4WD	77 = 93.4 WB	EPE, EP0 = 2.5L Power Tech	DGG, DGD = 32RH 3 Spd. Auto.
L = SE	U = Wrangler 4WD (RHD)		ERH, ER0 = 4.0L Power Tech	DDQ = 5 Spd. Manual
P = Sahara				DDD = 5 Speed HD Manual
				DG0 = Auto. Trans.
				DBB = Manual Trans.

AR = Use as required - = Non illustrated part # = New this model year

September 16, 2005

Jack And Storage  
Figure 022-310



ITEM	PART NUMBER	QTY	LINE	SERIES	BODY	ENGINE	TRANS	TRIM	DESCRIPTION
1	5203 8254	1							STRAP, Jack Storage
2	52058 912AB	1							JACK
3	52059 162AB	1							BAG, Jack Tool Storage
4	52058 905AB	1							EXTENSION, Jack Handle
5	52088 133AB	1							HANDLE, Jack
6									LABEL, Serviced in #3, (NOT SERVICED) (Not Serviced)
7	6504 616	2							SCREW, M4.2x1.41
8	5205 8907	1							WRENCH, Wheel Lug Nut
9	5205 9047	2							STRAP, Jack Tool Storage
10	6504 697	1							CLIP, Lug Wrench

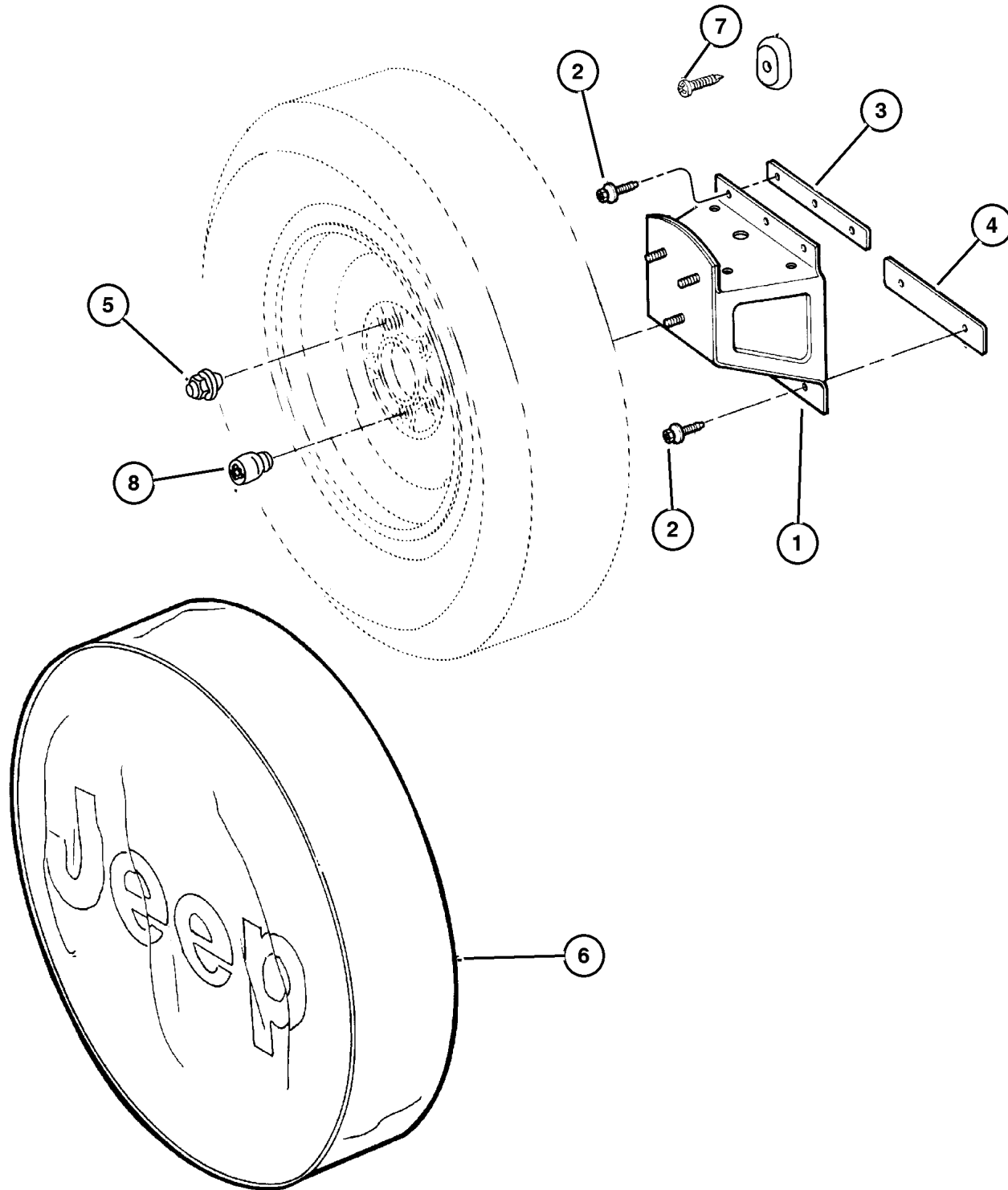
<b>JEEP WRANGLER (TJ)</b>			
SERIES	LINE	BODY	ENGINE
H = Sport	J = Wrangler 4WD	77 = 93.4 WB	EPE, EP0 = 2.5L Power Tech
L = SE	U = Wrangler 4WD (RHD)		ERH, ER0 = 4.0L Power Tech
P = Sahara			
			TRANSMISSION
			DGG, DGD = 32RH 3 Spd. Auto.
			DDQ = 5 Spd. Manual
			DDD = 5 Speed HD Manual
			DG0 = Auto. Trans.
			DBB = Manual Trans.

AR = Use as required - = Non illustrated part # = New this model year

September 16, 2005

**Wheel, Spare Tailgate Mounted  
Figure 022-410**

ITEM	PART NUMBER	QTY	LINE	SERIES	BODY	ENGINE	TRANS	TRIM	DESCRIPTION
1	55175 913AC	1							BRACKET, Spare Tire
2	6035 053	5							SCREW AND WASHER, Hex Head, .312-18x1.125
3	55010 841AB	1							GASKET, Spare Tire Bracket, Upper Carrier
4	55010 928AB	1							GASKET, Spare Tire Bracket, Lower Carrier
5	6036 310AA	23							NUT, Wheel, .50x20
6									COVER, Spare Tire
	5FF5 5TX7	1		H, L					Black, 'Saraha' Europe
	5FF4 7TX7	1		H, L					Black
	5GZ57 1K9AA	1		P					Spice, 'Saraha' Europe
		1		P					Spice, with [ACG] Tire Group
7									SCREW, (NOT SERVICED) (Not Serviced)
8	5208 8515	1							NUT, Lock, .50-20, Includes Key
-9	5501 3350	1							BUMPER, Spare Tire Impact



<b>JEEP WRANGLER (TJ)</b>			
SERIES	LINE	BODY	ENGINE
H = Sport	J = Wrangler 4WD	77 = 93.4 WB	EPE, EP0 = 2.5L Power Tech
L = SE	U = Wrangler 4WD (RHD)		ERH, ER0 = 4.0L Power Tech
P = Sahara			
		TRANSMISSION	
		DGG, DGD = 32RH 3 Spd. Auto.	
		DDQ = 5 Spd. Manual	
		DDD = 5 Speed HD Manual	
		DG0 = Auto. Trans.	
		DBB = Manual Trans.	

AR = Use as required - = Non illustrated part # = New this model year

September 16, 2005

# Group – 23D

## Wiper/Lock Cylinder and Keys

### GROUP 23D - Wiper/Lock Cylinder and Keys

Illustration Title

Group-Fig. No.

#### Lock Cylinders and Keys

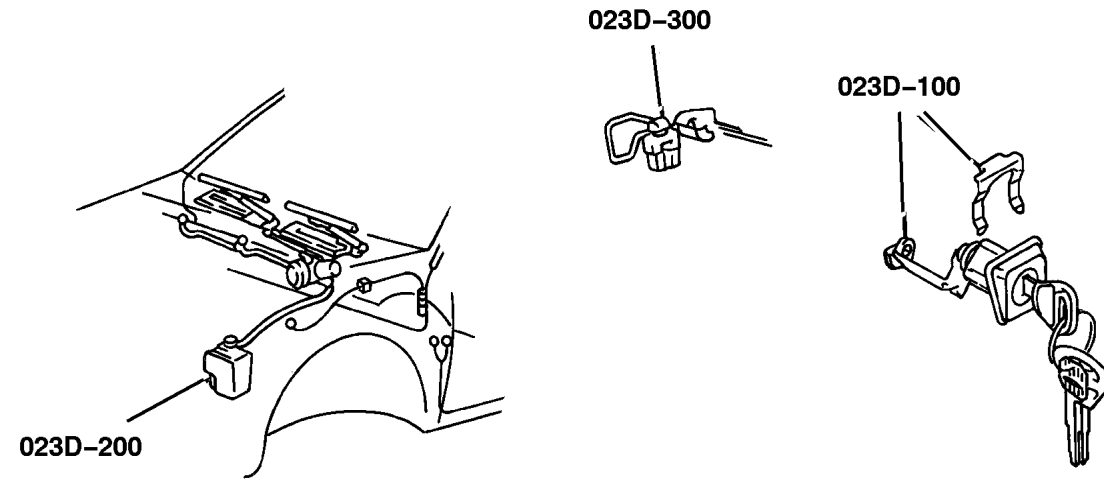
Lock Cylinders & Keys ..... Fig. 23D-105

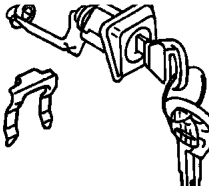
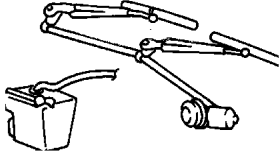
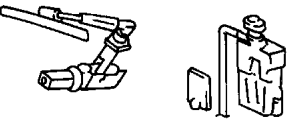
#### Windshield Wiper and Washer Systems

Wiper System Front ..... Fig. 23D-205

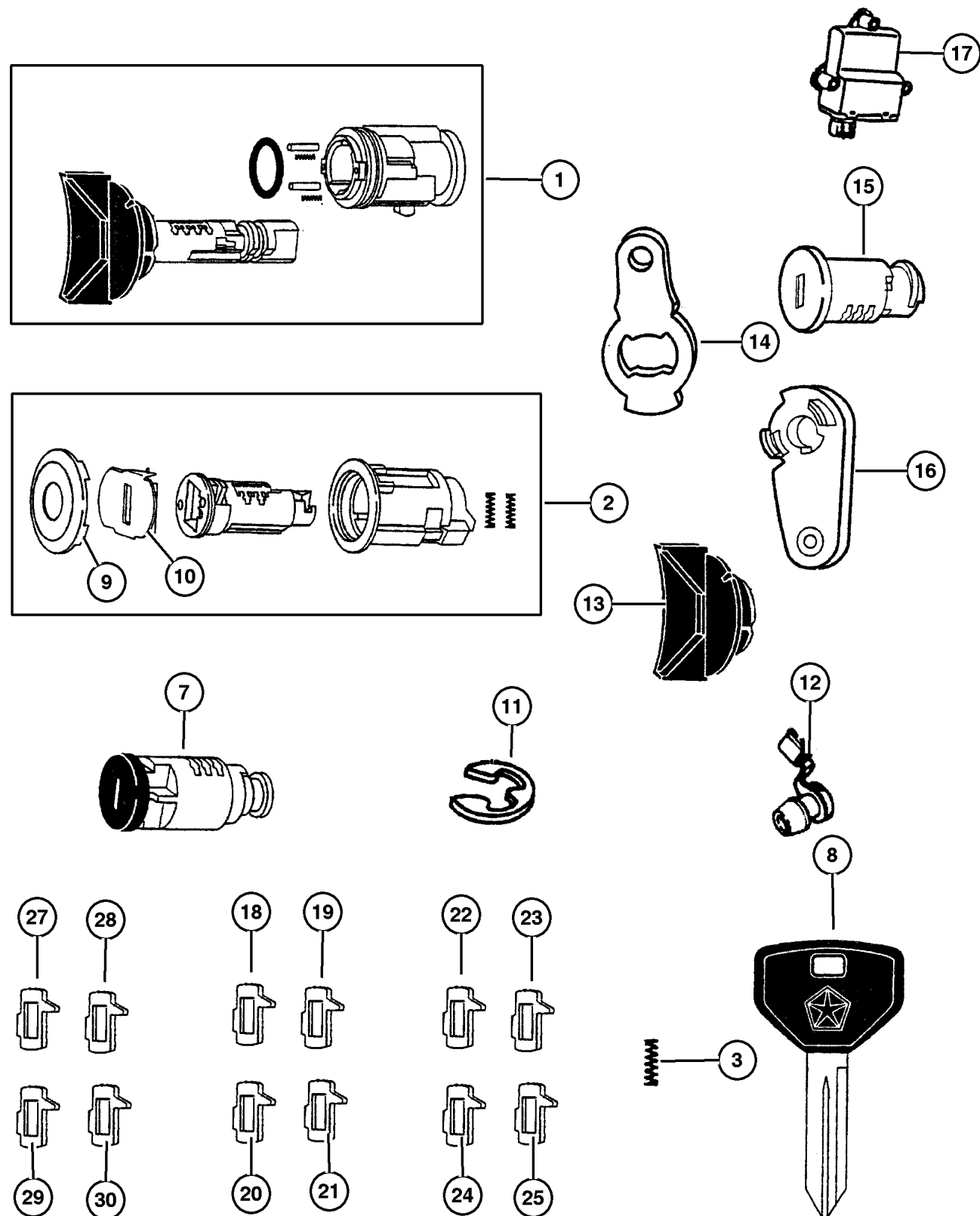
#### Rear Wiper and Washer System

Rear Wiper System ..... Fig. 23D-305



<p><b>23D-100</b> Lock Cylinders and Keys</p> 	<p><b>23D-200</b> Windshield Wiper and Washer Systems</p> 	<p><b>23D-300</b> Rear Wiper and Washer System</p> 	
---	---	---	--

## Lock Cylinders & Keys Figure 23D-105



ITEM	PART NUMBER	QTY	LINE	SERIES	BODY	ENGINE	TRANS	TRIM	DESCRIPTION
NOTE: ALL CYLINDERS ARE UNCODED									
1	5003 843AB	1							CYLINDER, Ignition Lock
2	4778 123	1							CYLINDER, Door Lock, Doors & Tailgate
3	4378 793	1							SPRING, Cylinder Return
-4	5010 883AB-	1							SPRING, Ignition Tumbler, Sidebar
-5	5507 4799	1							GASKET, Door Lock Cylinder, Black, Door Lock Cylinder (Black)
-6	2583 377	1							RETAINER, Door Lock Cylinder, Half Door
7	4746 315	1							CYLINDER, Glove Box Lock
8	5018 699AA	2							KEY, Master Sentry Key
	5018 700AA	2							w/Full Door & Full Floor Console
	55077 096AA	2							w/Half Door & w/o Full Floor Console
9	5257 148	1							CAP, Door Lock Cylinder, Black
10	4778 150	1							SHUTTER, Door, Deck and Liftgate, Bright
11	6026 125	1							CLIP, Retainer
12									CLIP, Latch
	4658 444	1							Purple
	4658 445	1							Orange
13									KNOB, Ignition Cylinder, Black Plastic, Serviced w/Cylinder, (NOT SERVICED) (Not Serviced)
14	5507 5824	1							LEVER, Door Lock Cylinder, Tailgate
15	4746 305	1							CYLINDER, Console Lock
16	5507 6307	1							LEVER, Door Lock
17	56010 209AB	1							MODULE, Immobilizer
18	5010 879AA	1							TUMBLER, Ignition Number 1, Sidebar
19	5010 880AA	1							TUMBLER, Ignition Number 2, Sidebar
20	5010 881AA	1							TUMBLER, Ignition Number 3, Sidebar
21	5010 882AA	1							TUMBLER, Ignition Number 4, Sidebar
22	5257 132	1							TUMBLER, Ignition Number 1, use with console and glove box cylinders

### JEEP WRANGLER (TJ)

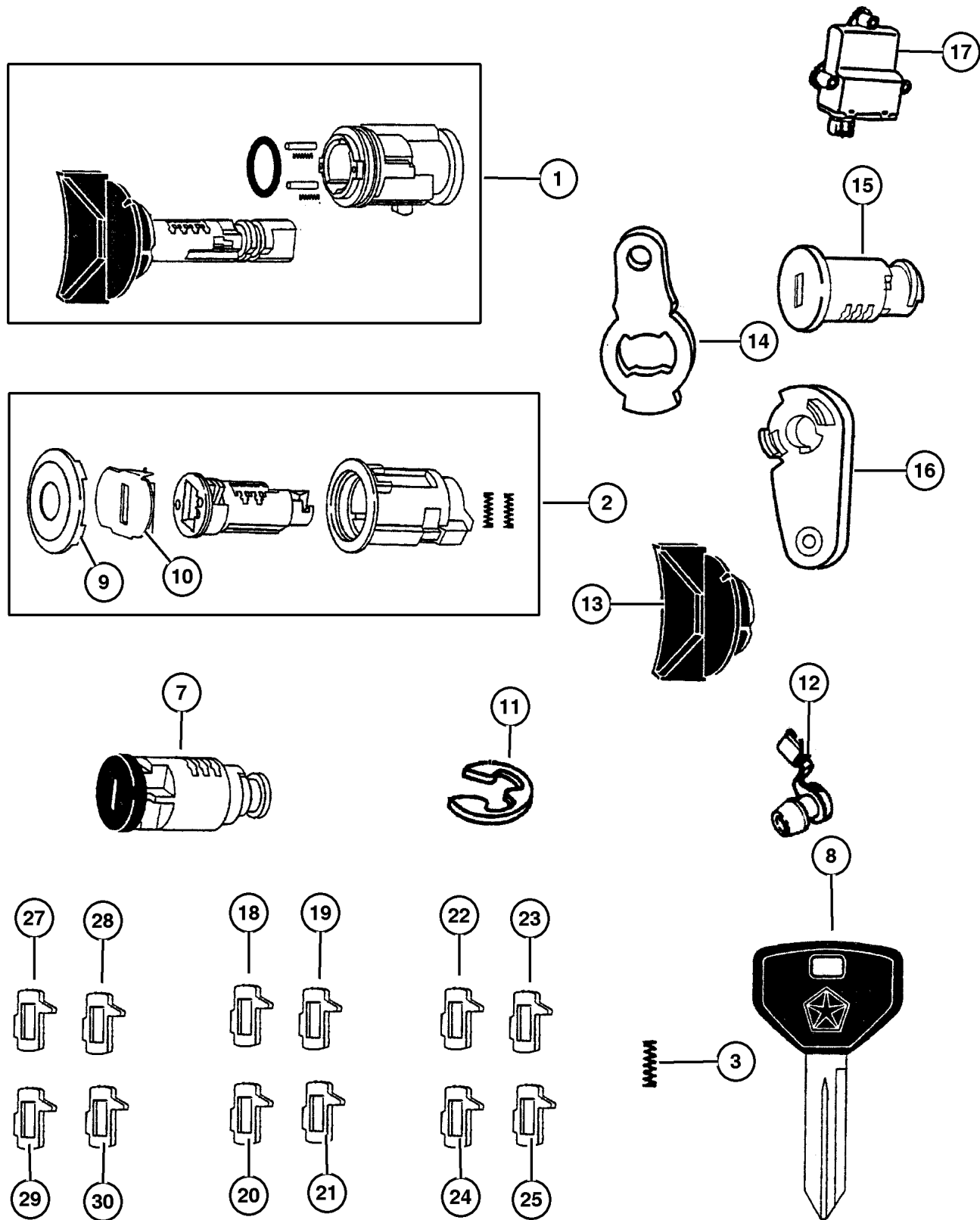
SERIES	LINE	BODY	ENGINE	TRANSMISSION
H = Sport	J = Wrangler 4WD	77 = 93.4 WB	EPE, EP0 = 2.5L Power Tech	DGG, DGD = 32RH 3 Spd. Auto.
L = SE	U = Wrangler 4WD (RHD)		ERH, ER0 = 4.0L Power Tech	DDQ = 5 Spd. Manual
P = Sahara				DDD = 5 Speed HD Manual
				DG0 = Auto. Trans.
				DBB = Manual Trans.

AR = Use as required - = Non illustrated part # = New this model year

September 16, 2005

## Lock Cylinders & Keys Figure 23D-105

ITEM	PART NUMBER	QTY	LINE	SERIES	BODY	ENGINE	TRANS	TRIM	DESCRIPTION
23	5257 133	1							TUMBLER, Ignition Number 2, use with console and glove box cylinders
24	5257 134	1							TUMBLER, Ignition Number 3, use with console and glove box cylinders
25	5257 135	1							TUMBLER, Ignition Number 4, use with console and glove box cylinders
-26	4778 121	1							SPRING, Door and Deck Tumbler
27	4778 117	1							TUMBLER, Door and Deck Number 1, Wide
28	4778 118	1							TUMBLER, Door and Deck Number 2, Wide
29	4778 119	1							TUMBLER, Door and Deck Number 3, Wide
30	4778 120	1							TUMBLER, Door and Deck Number 4, Wide



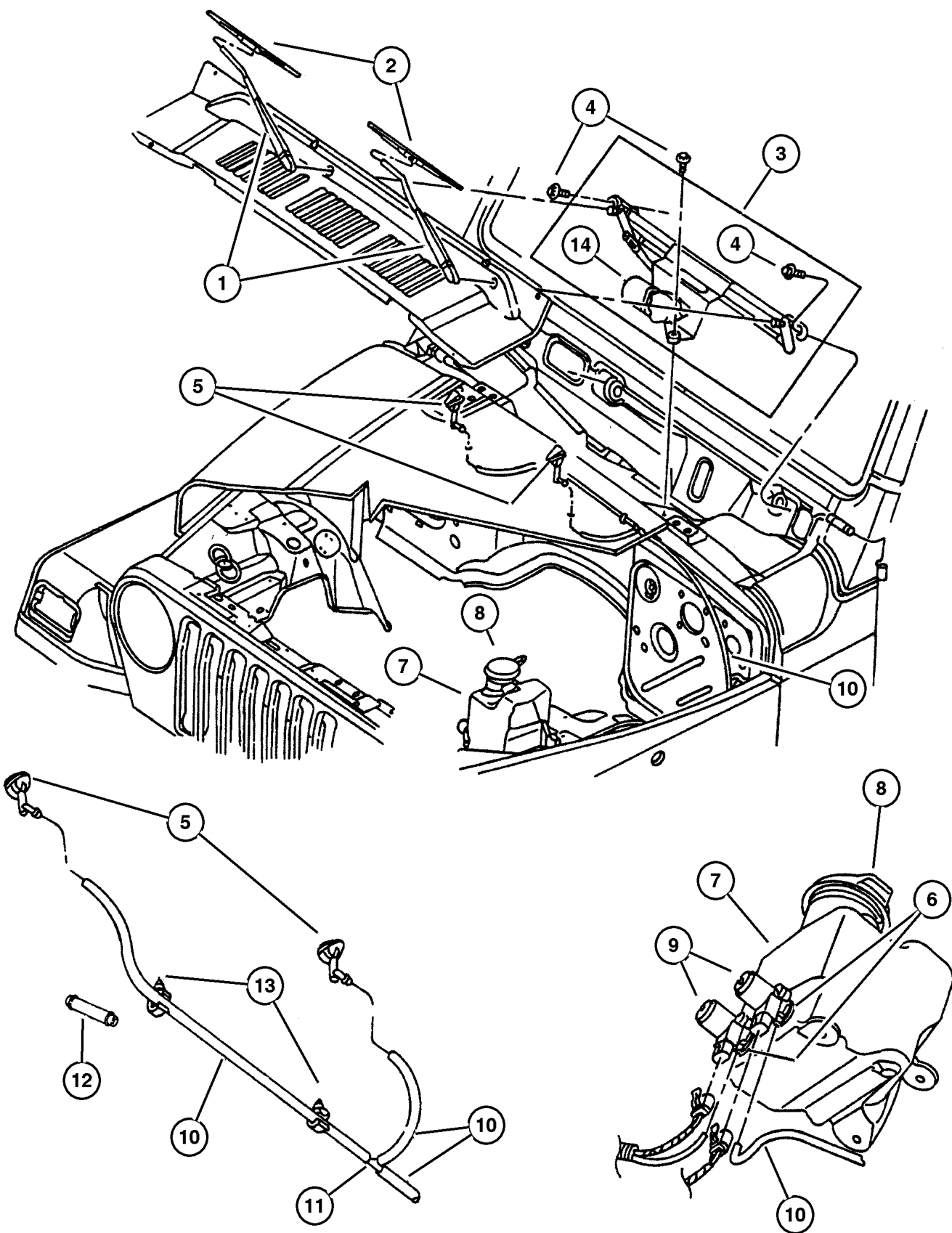
<b>JEEP WRANGLER (TJ)</b>			
SERIES	LINE	BODY	ENGINE
H = Sport	J = Wrangler 4WD	77 = 93.4 WB	EPE, EP0 = 2.5L Power Tech
L = SE	U = Wrangler 4WD (RHD)		ERH, ER0 = 4.0L Power Tech
P = Sahara			
			TRANSMISSION
			DGG, DGD = 32RH 3 Spd. Auto.
			DDQ = 5 Spd. Manual
			DDD = 5 Speed HD Manual
			DG0 = Auto. Trans.
			DBB = Manual Trans.

AR = Use as required - = Non illustrated part # = New this model year

September 16, 2005

**Wiper System Front  
Figure 23D-205**

ITEM	PART NUMBER	QTY	LINE	SERIES	BODY	ENGINE	TRANS	TRIM	DESCRIPTION
1									ARM, Wiper
	5515 5658	2	J						
	5515 5659	2	U						
2	55154 762AC	2							BLADE, Wiper
3									MODULE, Wiper
	5515 4766	1	J						
	5515 4768	1	U						
4	6100 568	3							BOLT AND WASHER, Implement Attaching
5	5515 4938	2							NOZZLE, Washer, Windshield
6	5013 755AA	1							GROMMET, Washer Reservoir
7									RESERVOIR, Washer w/Dual Pump
	4874 393	1							w/Single Pump
8	4874 395	1							CAP, Washer Reservoir Filler, w/Gasket
9	4797 695	1							PUMP, Washer, Windshield
10	HWV0 0532	1							HOSE, Washer And Vacuum, 50 Foot Roll 5/32"
11	J321 0891	1							TEE, Washer Hose
12	4805 010	2							CHECK VALVE, Washer
13	5288 255	2							CLIP, Hood Washer Hose
14									MOTOR, Wiper
	4864 892	1	J						Windshield Wiper
		1	U						Windshield Wiper

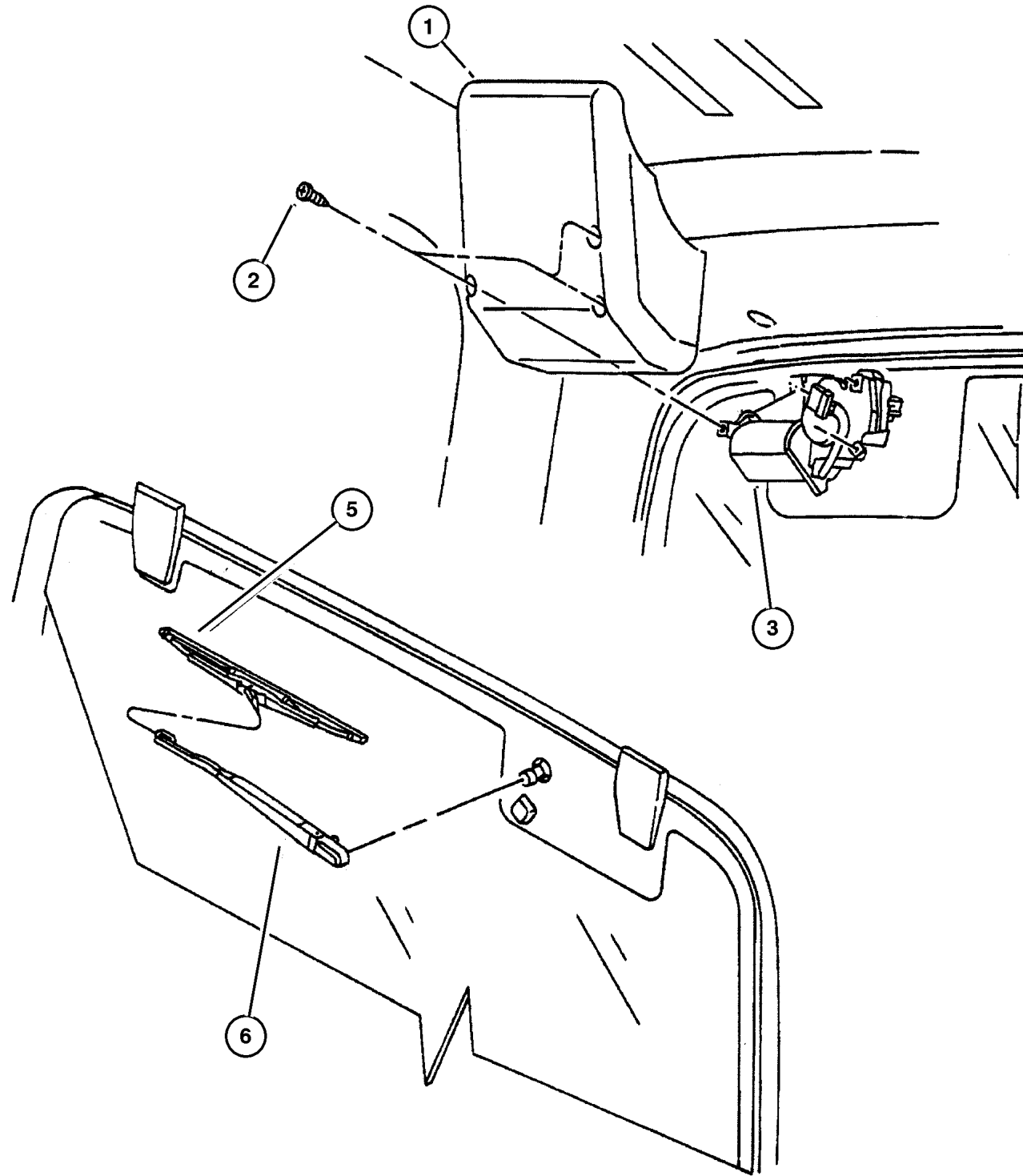


**JEEP WRANGLER (TJ)**

SERIES	LINE	BODY	ENGINE	TRANSMISSION
H = Sport	J = Wrangler 4WD	77 = 93.4 WB	EPE, EP0 = 2.5L Power Tech	DGG, DGD = 32RH 3 Spd. Auto.
L = SE	U = Wrangler 4WD (RHD)		ERH, ER0 = 4.0L Power Tech	DDQ = 5 Spd. Manual
P = Sahara				DDD = 5 Speed HD Manual
				DG0 = Auto. Trans.
				DBB = Manual Trans.



## Rear Wiper System Figure 23D-305



ITEM	PART NUMBER	QTY	LINE	SERIES	BODY	ENGINE	TRANS	TRIM	DESCRIPTION
1	5515 5030	1							COVER, Wiper Motor
2									SCREW, 164-18X.750 (Not Serviced), (NOT SERVICED) (Not Serviced)
3	55155 322AB	1							MOTOR, Wiper
-4	4883 521AA-	1							NUT, Rear Wiper Motor
5	5515 5445	1							BLADE, Wiper
6	5515 5660	1							ARM, Wiper, Rear
-7	5517 6464	1							GROMMET, Wiper Motor And Bracket
-8	4883 520AA-	1							NOZZLE, Liftgate Washer
-9	5515 5457	1							CHECK VALVE, Washer
-10	5600 3982	1							PLUG, Sealing
-11	5515 4545	1							WASHER, Between Glass & Motor
-12	5515 4556	1							SPACER, Wiper Motor, Triangle Shaped
-13	5600 3682	1							NUT, Hex Flange, M16

**JEEP WRANGLER (TJ)**

SERIES	LINE	BODY	ENGINE	TRANSMISSION
H = Sport	J = Wrangler 4WD	77 = 93.4 WB	EPE, EP0 = 2.5L Power Tech	DGG, DGD = 32RH 3 Spd. Auto.
L = SE	U = Wrangler 4WD (RHD)		ERH, ER0 = 4.0L Power Tech	DDQ = 5 Spd. Manual
P = Sahara				DDD = 5 Speed HD Manual
				DG0 = Auto. Trans.
				DBB = Manual Trans.

AR = Use as required - = Non illustrated part # = New this model year

September 16, 2005

# Group – 024

## Air Conditioning & Heater

### GROUP 24 - Air Conditioning & Heater

Illustration Title

Group-Fig. No.

#### Air Conditioner and Heater Units

Hevac Unit ..... Fig. 024-110

#### Air Conditioner and Heater Plumbing

Hoses, Heater 2.5L Engine ..... Fig. 024-205

Hoses, Heater 2.5L Engine, RHD ..... Fig. 024-210

Hoses, Heater 4.0L Engine ..... Fig. 024-220

Plumbing, Hevac 2.5L Engine ..... Fig. 024-225

Plumbing, Hevac 2.5L Engine, RHD ..... Fig. 024-230

Plumbing, Hevac 4.0L Engine ..... Fig. 024-235

Plumbing, Hevac 4.0L Engine, RHD ..... Fig. 024-240

Seals, A/C Condenser ..... Fig. 024-245

#### Air Conditioner and Heater Controls

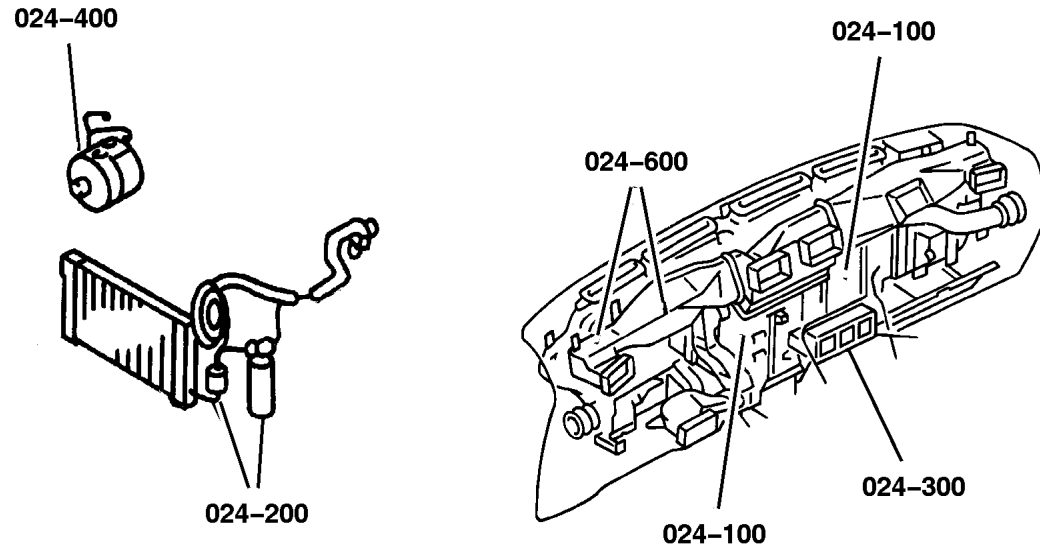
Control, Heater And A/c ..... Fig. 024-310

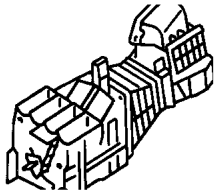
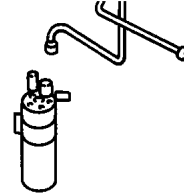
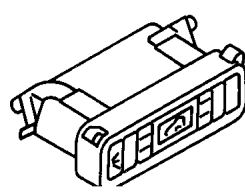
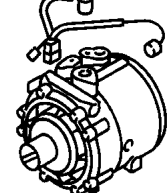
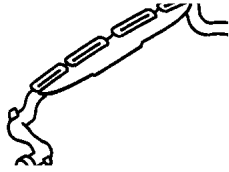
#### Air Conditioning Compressor

Compressor, Air Conditioning ..... Fig. 024-410

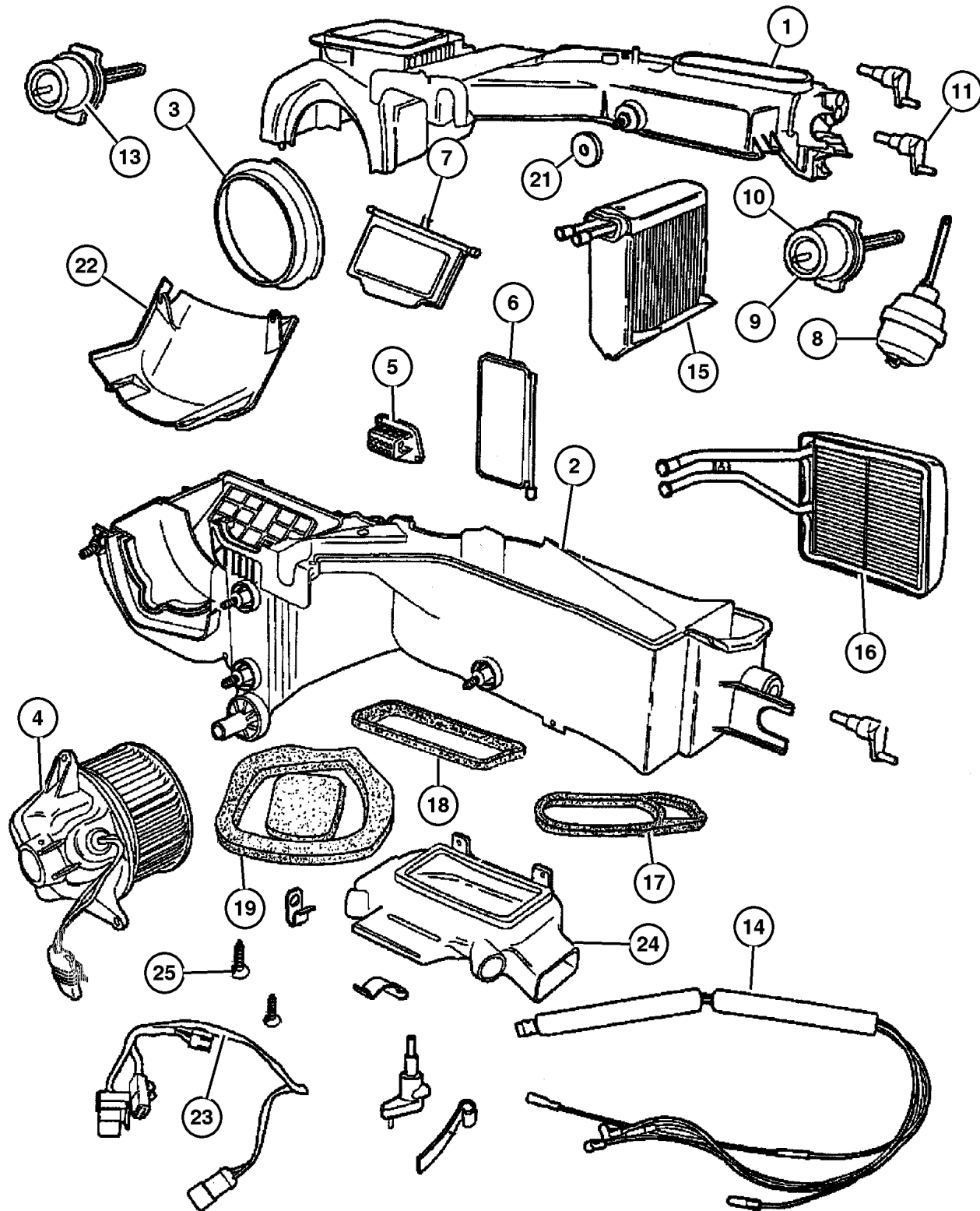
#### Air Ducts and Outlets

Ducts, Heater And A/c ..... Fig. 024-610



<p><b>024-100</b> Air Conditioner and Heater Units</p> 	<p><b>024-200</b> Air Conditioner and Heater Plumbing</p> 	<p><b>024-300</b> Air Conditioner and Heater Controls</p> 	<p><b>024-400</b> Air Conditioning Compressor</p> 
<p><b>024-600</b> Air Ducts and Outlets</p> 			

## Hevac Unit Figure 024-110



ITEM	PART NUMBER	QTY	LINE	SERIES	BODY	ENGINE	TRANS	TRIM	DESCRIPTION
1									HOUSING, Heater
	5013 731AA	1	J						Upper
	5013 734AA	1	U						Upper
2									HOUSING, A/C Lower with A/C
	5014 859AA	1	J						with A/C
	5014 860AA	1	J						without A/C
	5013 738AA	1	U						
3									RING Venturi
	4864 951	1	J						Venturi
4	4886 150AA	1	J						BLOWER RESISTOR, Blower Motor
5									
	4864 957	1	J						
		1	U						
6									DOOR, Blend Air
	5073 553AA	1	J						
	4897 611AA	1	U						
7									DOOR, Fresh Air
	4864 992	1	J						
	4864 993	1	U						
8									ACTUATOR, Vacuum
	4864 994	1	U						
		1	J						
9									ACTUATOR, Vacuum
	4864 995	1	J						
		1	U						
10									ACTUATOR, Blend Door
	5013 741AA	1	J						
		1	U						
11									ADAPTER, Blend Door, A/C and Heater
	5013 742AA	1	J						
	5013 743AA	1	U						
-12	5013 745AA-	1	J						BRACKET, Blend Door Adapter, A/C and Heater
13									ACTUATOR, Vacuum
	4864 996	1	J						
		1	U						
14									HARNES, Heater Vacuum
	4864 998AC	1	J						
		1	U						
15									EVAPORATOR KIT, A/C

### JEEP WRANGLER (TJ)

SERIES  
H = Sport  
L = SE  
P = Sahara

LINE  
J = Wrangler 4WD  
U = Wrangler 4WD (RHD)

BODY  
77 = 93.4 WB

ENGINE  
EPE, EP0 = 2.5L Power Tech  
ERH, ER0 = 4.0L Power Tech

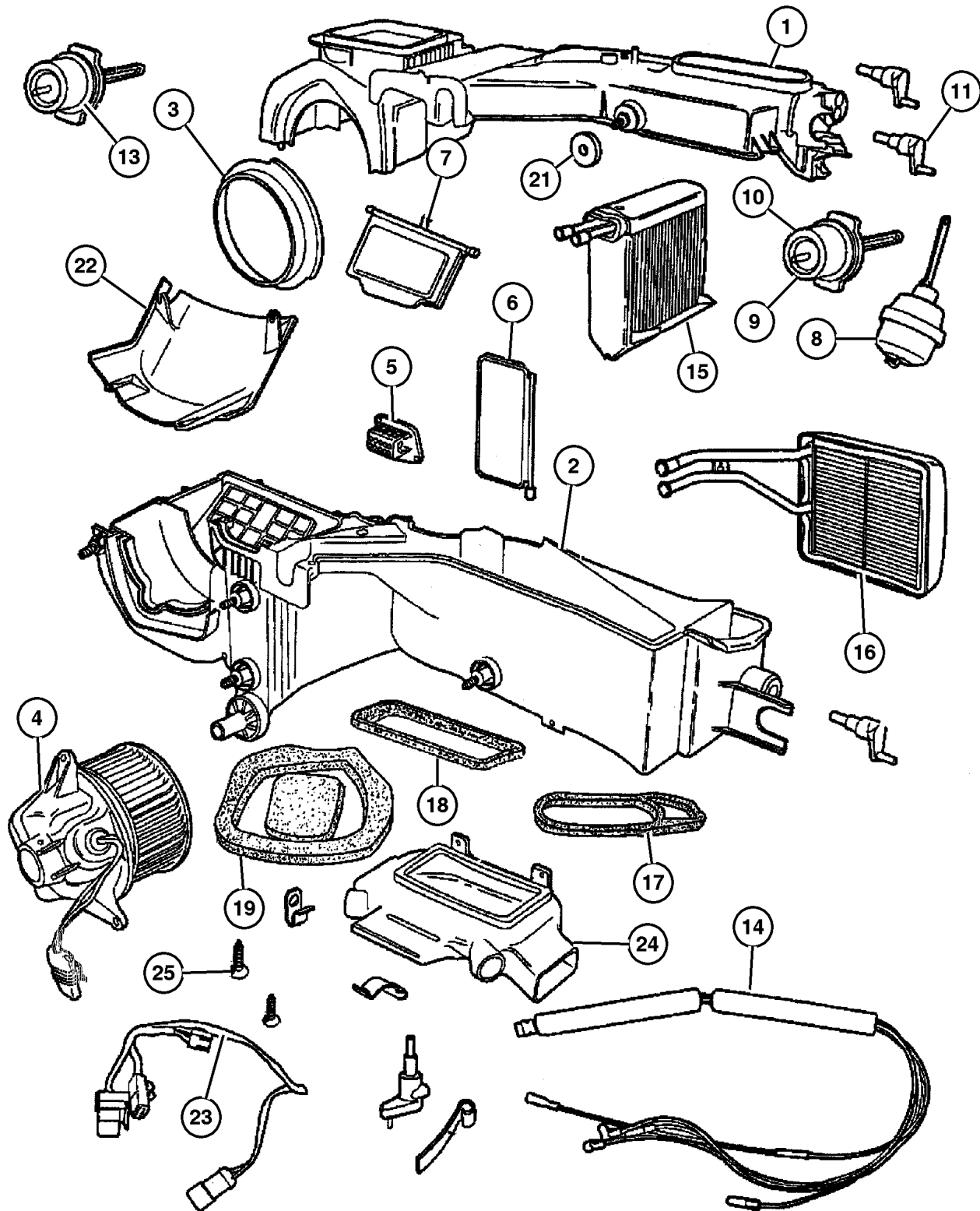
TRANSMISSION  
DGG, DGD = 32RH 3 Spd. Auto.  
DDQ = 5 Spd. Manual  
DDD = 5 Speed HD Manual  
DG0 = Auto. Trans.  
DBB = Manual Trans.

AR = Use as required - = Non illustrated part # = New this model year

September 16, 2005

Hevac Unit  
Figure 024-110

ITEM	PART NUMBER	QTY	LINE	SERIES	BODY	ENGINE	TRANS	TRIM	DESCRIPTION
	4864 999AC	1	J						
	4874 044AC	1	U						
16	4874 045	1	J						CORE, Heater
17									SEAL, Defroster Duct
	4874 064	1	J						
18	4874 066	1	U						SEAL, Vent
	4874 068	1	J						
		1	U						
19	4874 069AB	1	J						SEAL KIT, A/C And Heater Unit
-20	4874 070AB-	1	U						SEAL KIT, A/C And Heater Unit
21	5525 4848	4							WASHER, Sealing
22									COVER, Recirculating Valve
	4874 078	1	J						
	4874 079	1	U						
23									WIRING, Air Conditioning Module
	5013 744AA	1	J						
		1	U						
24									DUCT, Floor Distribution
	4874 088	1	J						
	4874 089	1	U						
25									SCREW, Hex Head, M4.8-1.59x19, (NOT SERVICED) (Not Serviced)



JEEP WRANGLER (TJ)

SERIES	LINE	BODY	ENGINE	TRANSMISSION
H = Sport	J = Wrangler 4WD	77 = 93.4 WB	EPE, EP0 = 2.5L Power Tech	DGG, DGD = 32RH 3 Spd. Auto.
L = SE	U = Wrangler 4WD (RHD)		ERH, ER0 = 4.0L Power Tech	DDQ = 5 Spd. Manual
P = Sahara				DDD = 5 Speed HD Manual
				DG0 = Auto. Trans.
				DBB = Manual Trans.

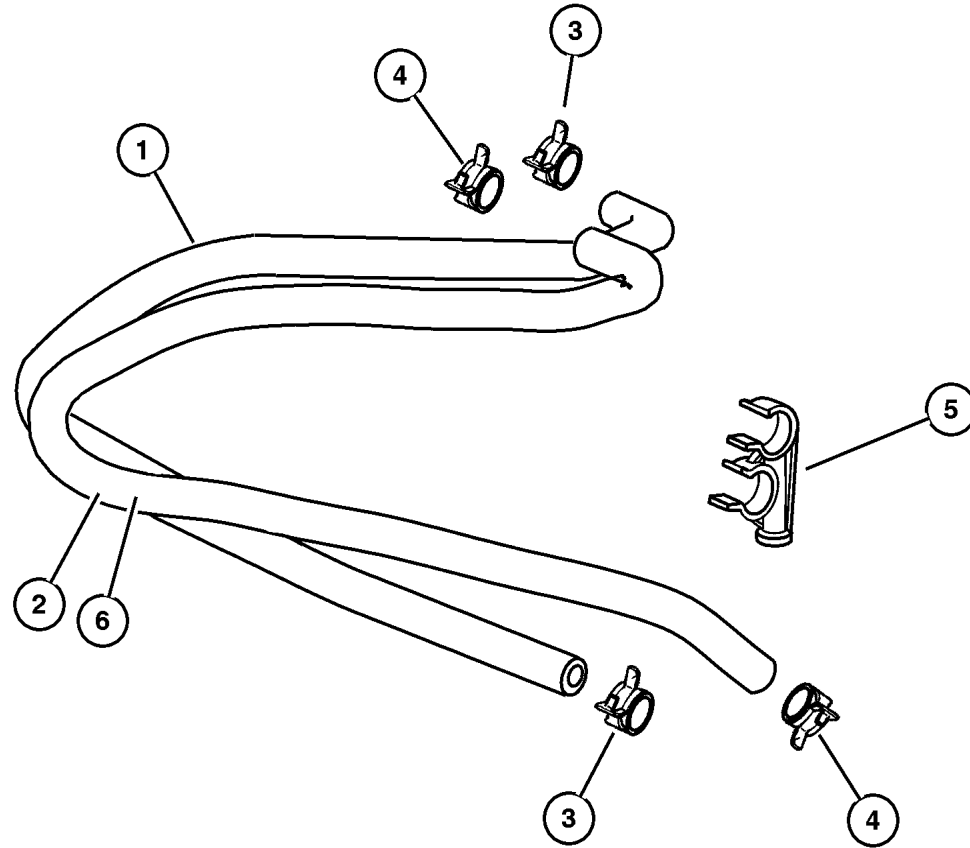
AR = Use as required - = Non illustrated part # = New this model year

September 16, 2005





## Hoses, Heater 4.0L Engine Figure 024-220



ITEM	PART NUMBER	QTY	LINE	SERIES	BODY	ENGINE	TRANS	TRIM	DESCRIPTION
Note: Sales Code ER0 = 4.0L Gas Engine									
1	5503 6382	1	U			ER0			HOSE, Heater Return Return
	55036 384AB	1	J			ER0			
2	5503 6380	1	U			ER0			HOSE, Heater Supply Supply
	5503 6348	1	J			EP0			
3	4546 298	2	J			ER0			CLAMP, Heater Hose
4	6502 018	2	U			ER0			CLAMP, Hose, M28.9 x 1.60
		2	J			ER0			
5	5503 5933	2	U			EP0, ER0			BRACKET, Hose
6	5503 6976	1	J			ER0			HOSE, Heater, Supply

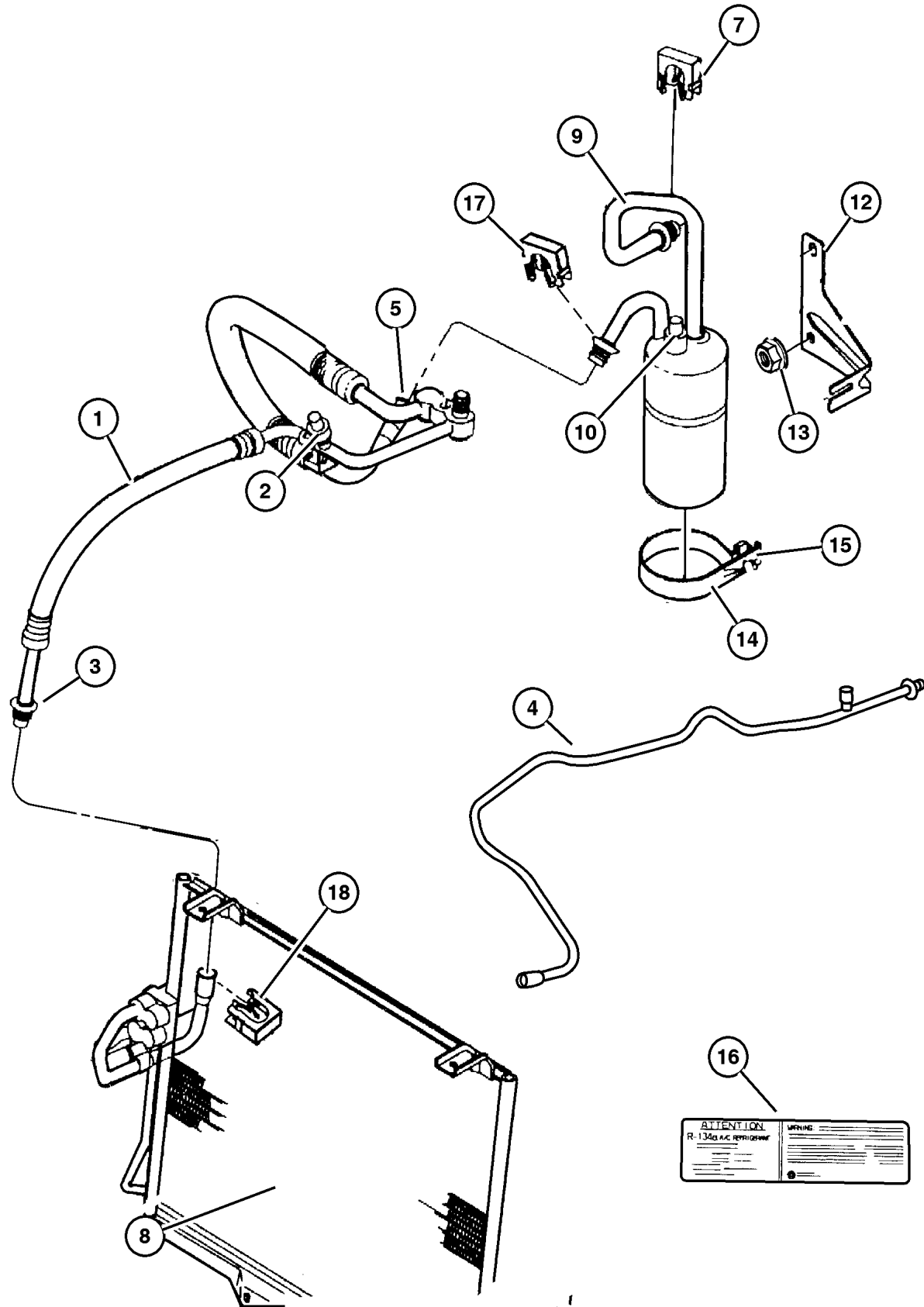
**JEEP WRANGLER (TJ)**

SERIES	LINE	BODY	ENGINE	TRANSMISSION
H = Sport	J = Wrangler 4WD	77 = 93.4 WB	EPE, EP0 = 2.5L Power Tech	DGG, DGD = 32RH 3 Spd. Auto.
L = SE	U = Wrangler 4WD (RHD)		ERH, ER0 = 4.0L Power Tech	DDQ = 5 Spd. Manual
P = Sahara				DDD = 5 Speed HD Manual
				DG0 = Auto. Trans.
				DBB = Manual Trans.

AR = Use as required - = Non illustrated part # = New this model year

September 16, 2005

Plumbing, Hevac 2.5L Engine  
Figure 024-225



ITEM	PART NUMBER	QTY	LINE	SERIES	BODY	ENGINE	TRANS	TRIM	DESCRIPTION
Note: Sales Code EP0 = 2.5L Gas Engine									
1	55037 503AA	1				EP0			LINE, A/C Discharge
2	4897 617AA	1				EP0			SWITCH, A/C High Pressure Cut Off
3	4740 401	2	J			EP0			O RING, A/C Suction Line
4	55037 505AB	1	J			EP0,			LINE, A/C Liquid
						ER0			
5	1942 389	2							O RING, A/C Liquid Line
-6	4723 029	1				EP0			VALVE, A/C Discharge Line Check
7	5503 6022	2							CLIP, A/C Liquid Line
8	55037 512AA	1	J			EP0,			CONDENSER, Air Conditioning
						ER0			
9	55037 441AB	1	J			EP0			ACCUMULATOR, Suction Line
10	5015 872AB	1	J			EP0			SWITCH, A/C Low Pressure Cut Off
-11	4723 029	1				EP0			VALVE, A/C Discharge Line Check
12	5503 6303	1	J			EP0,			BRACKET, Accumulator
						ER0			
13									NUT, (NOT SERVICED) (Not Serviced)
14	55037 431AB	1							BAND, Accumulator Retaining
15									SCREW, (NOT SERVICED) (Not Serviced)
16	55037 555AB	1							LABEL, Refrigerant
17									CLIP, A/C Quick Disconnect
	4596 152	1	J						Quick (Suction) Connect
	4596 153	1							CLIP, A/C Quick Disconnect, (Discharge) Connect
18	4596 153	1							
-19	J400 3120	4							WELL NUT, .25-20x.63, Condenser Mounting

JEEP WRANGLER (TJ)

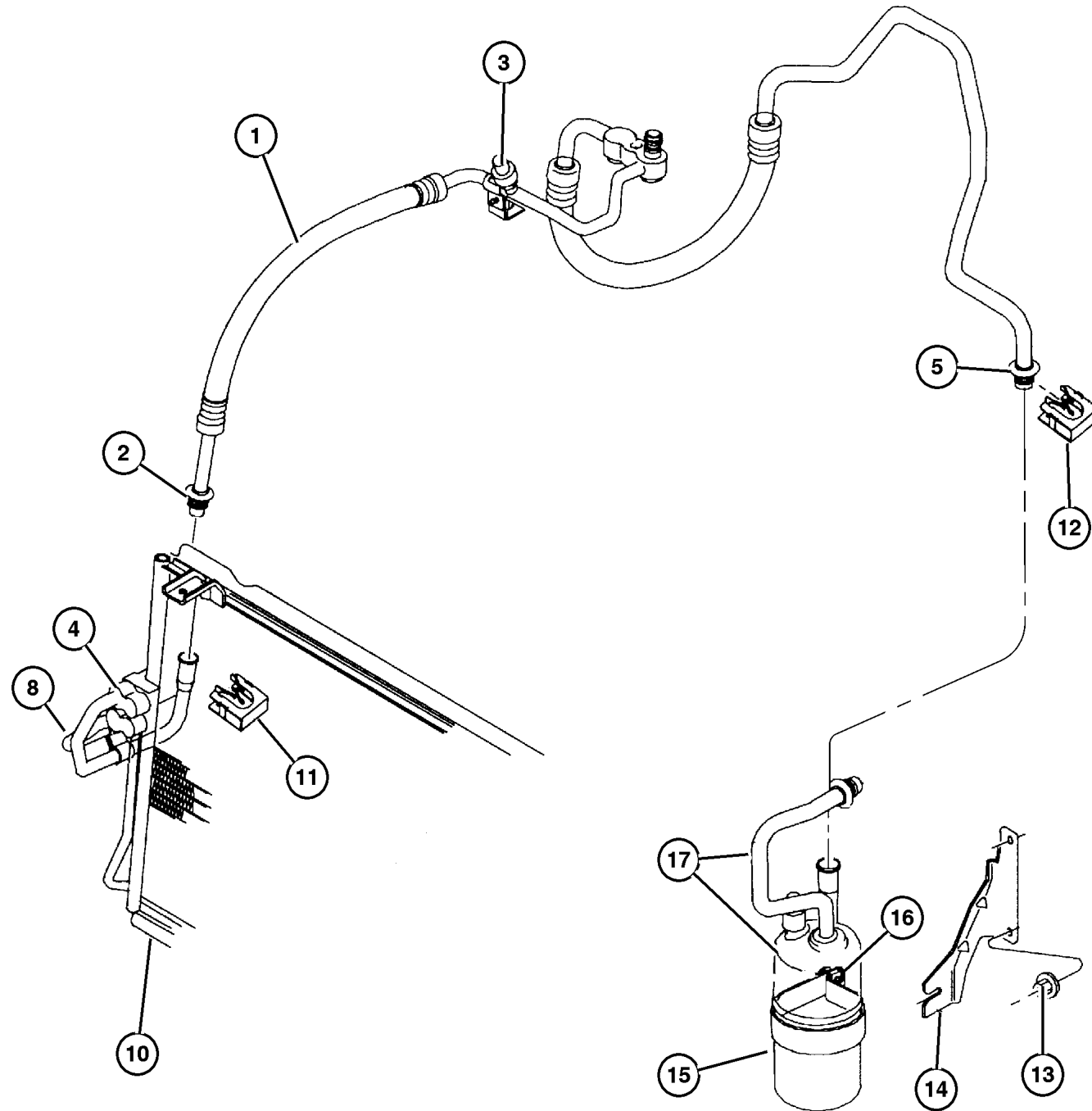
SERIES	LINE	BODY	ENGINE	TRANSMISSION
H = Sport	J = Wrangler 4WD	77 = 93.4 WB	EPE, EP0 = 2.5L Power Tech	DGG, DGD = 32RH 3 Spd. Auto.
L = SE	U = Wrangler 4WD (RHD)		ERH, ER0 = 4.0L Power Tech	DDQ = 5 Spd. Manual
P = Sahara				DDD = 5 Speed HD Manual
				DG0 = Auto. Trans.
				DBB = Manual Trans.

AR = Use as required - = Non illustrated part # = New this model year

September 16, 2005



Plumbing, Hevac 2.5L Engine, RHD  
Figure 024-230



ITEM	PART NUMBER	QTY	LINE	SERIES	BODY	ENGINE	TRANS	TRIM	DESCRIPTION
Note: Sales Code EP0 = 2.5L Gas Engine									
1	55037 503AA	1				EP0			LINE, A/C Discharge
2	4740 401	2	U			EP0, ER0			O RING, A/C Suction Line
3	4897 617AA	1				EP0			SWITCH, A/C High Pressure Cut Off
4	5503 6292	1	U			EP0, ER0			LINE, A/C Liquid
5	1942 389	2							O RING, A/C Liquid Line
-6	55036 782AB-	2	U			EP0, ER0			RETAINER, A/C Supply Line, Supply Line
-7	5503 6022	2							CLIP, A/C Liquid Line
8	55037 510AA	1	U			EP0, ER0			TUBE, A/C Liquid Line
-9	4723 029	2	U			EP0			VALVE, A/C Discharge Line Check
10	55037 513AA	1	U			EP0, ER0			CONDENSER, Air Conditioning
11	4596 152	2	U						CLIP, A/C Quick Disconnect
12	4596 153	1							CLIP, A/C Quick Disconnect
13									NUT, (NOT SERVICED) (Not Serviced)
14	5503 6304	1	U						BRACKET, Accumulator
15	55037 431AB	1							BAND, Accumulator Retaining
16									SCREW, (NOT SERVICED) (Not Serviced)
17	55037 442AA	1	U			EP0, ER0			ACCUMULATOR, Suction Line

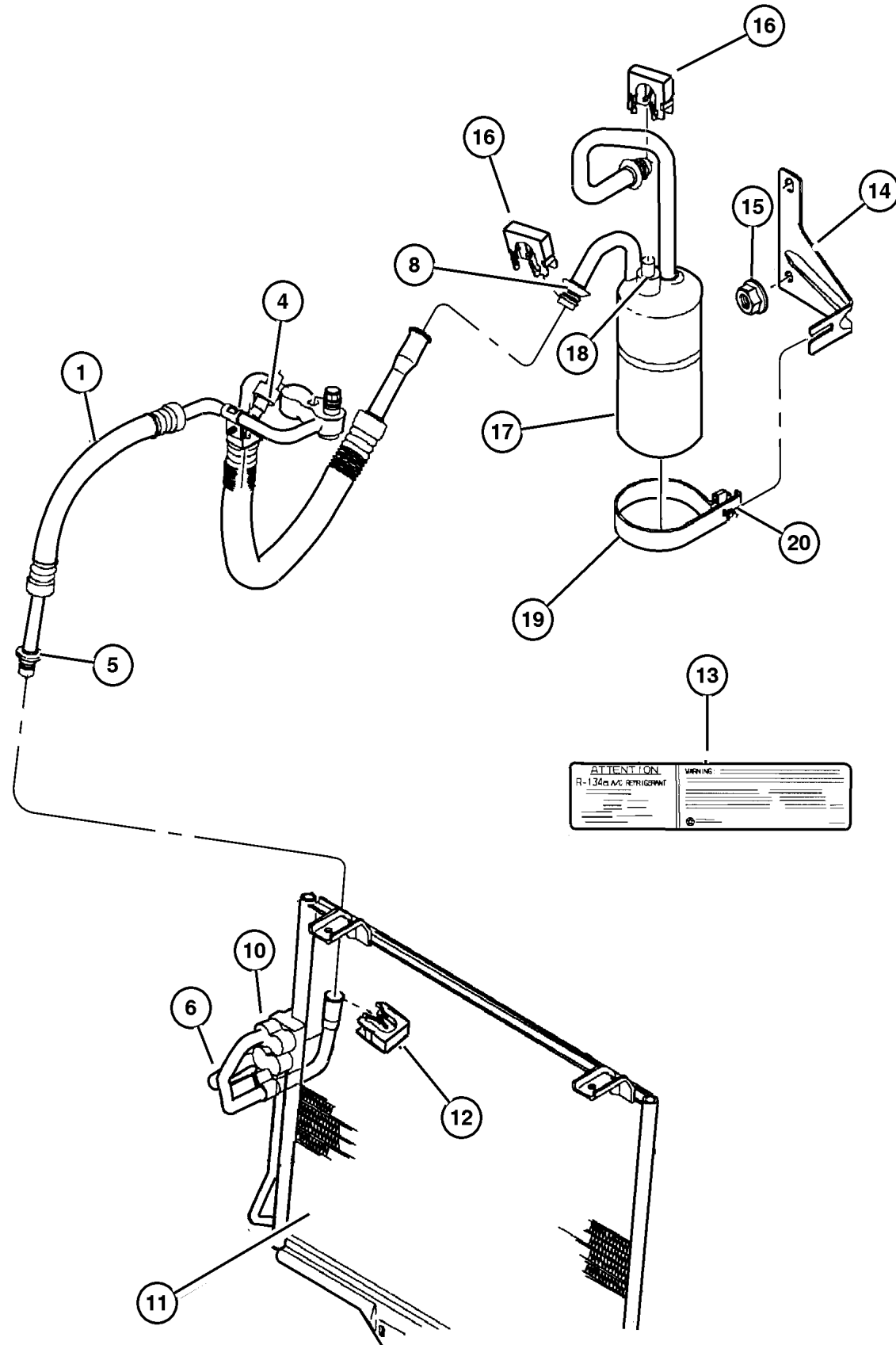
JEEP WRANGLER (TJ)

SERIES	LINE	BODY	ENGINE	TRANSMISSION
H = Sport	J = Wrangler 4WD	77 = 93.4 WB	EPE, EP0 = 2.5L Power Tech	DGG, DGD = 32RH 3 Spd. Auto.
L = SE	U = Wrangler 4WD (RHD)		ERH, ER0 = 4.0L Power Tech	DDQ = 5 Spd. Manual
P = Sahara				DDD = 5 Speed HD Manual
				DG0 = Auto. Trans.
				DBB = Manual Trans.

AR = Use as required - = Non illustrated part # = New this model year

September 16, 2005

Plumbing, Hevac 4.0L Engine  
Figure 024-235



ITEM	PART NUMBER	QTY	LINE	SERIES	BODY	ENGINE	TRANS	TRIM	DESCRIPTION
Note: Sales Code ER0 = 4.0L Gas Engine									
1	55037 506AA	1				ER0			LINE, A/C Discharge
-2	4796 666	2				ER0			O RING, A/C Discharge Line
-3	6036 153AA-	1				ER0			NUT, Hex, .437-14, A/C Line to Engine Block
4	4897 617AA	1				ER0			SWITCH, A/C High Pressure Cut Off
5	4740 401	2	J			ER0			O RING, A/C Suction Line
	4796 667	1	J			ER0			To Compressor
6	55037 505AB	1	J			EP0, ER0			LINE, A/C Liquid
-7	55037 517AB-	1	J			ER0			LINE, A/C Suction
8	1942 389	2				ER0			O RING, A/C Liquid Line
-9	4723 029	2				ER0			VALVE, A/C Discharge Line Check
10	5503 6022	2				ER0			CLIP, A/C Liquid Line
11	55037 512AA	1	J			EP0, ER0			CONDENSER, Air Conditioning
12	4596 152	1	J						CLIP, A/C Quick Disconnect
13	55037 555AB	1							LABEL, Refrigerant
14	5503 6303	1	J			EP0, ER0			BRACKET, Accumulator
15									NUT, (NOT SERVICED) (Not Serviced)
16	4596 152	1	J						CLIP, A/C Quick Disconnect
17	55037 508AB	1	J			ER0			ACCUMULATOR, Suction Line
18	5015 872AA	1	J			ER0			SWITCH, A/C Low Pressure Cut Off
19	55037 431AB	1							BAND, Accumulator Retaining
20									SCREW, (NOT SERVICED) (Not Serviced)

JEEP WRANGLER (TJ)

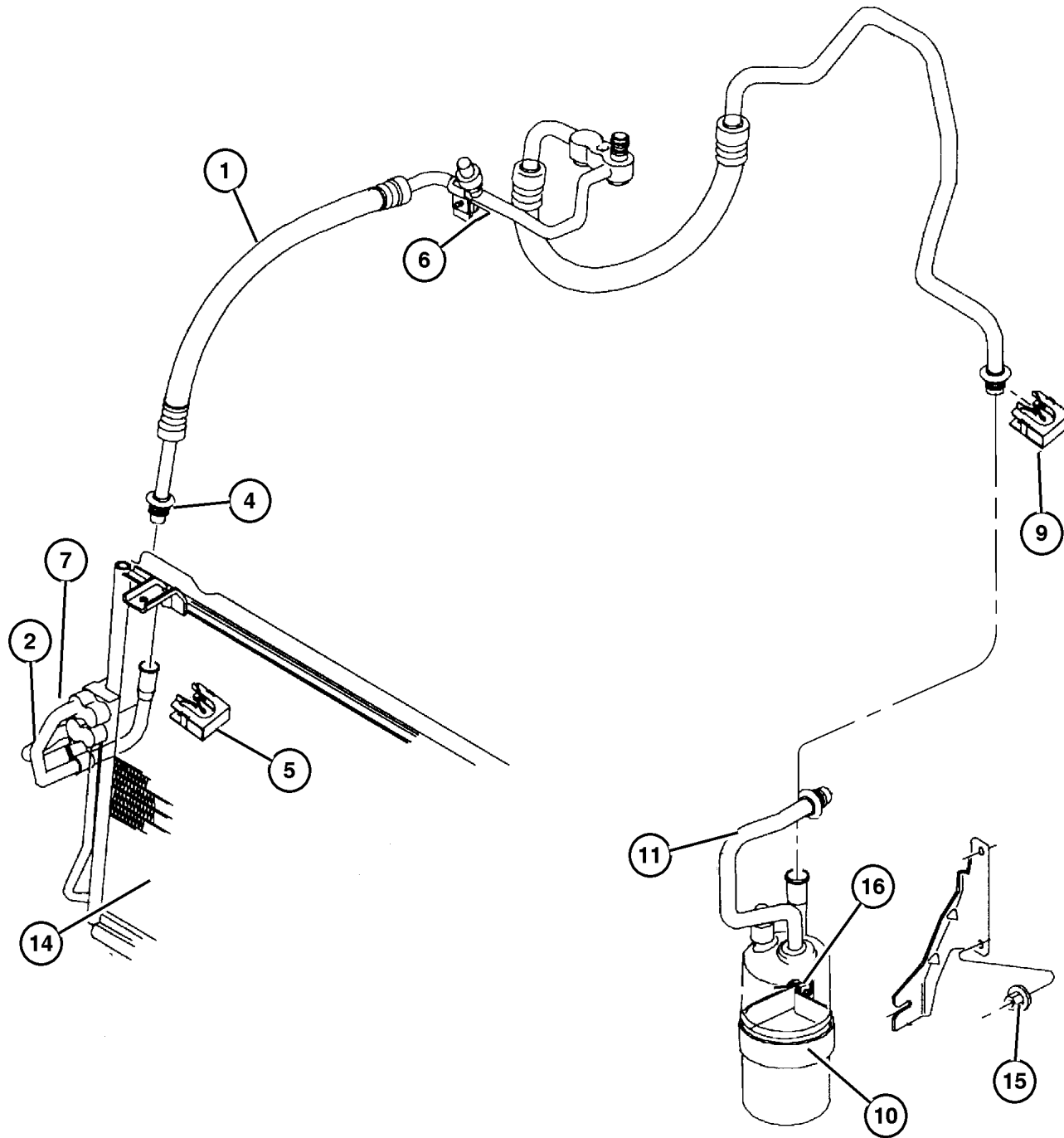
SERIES	LINE	BODY	ENGINE	TRANSMISSION
H = Sport	J = Wrangler 4WD	77 = 93.4 WB	EPE, EP0 = 2.5L Power Tech	DGG, DGD = 32RH 3 Spd. Auto.
L = SE	U = Wrangler 4WD (RHD)		ERH, ER0 = 4.0L Power Tech	DDQ = 5 Spd. Manual
P = Sahara				DDD = 5 Speed HD Manual
				DG0 = Auto. Trans.
				DBB = Manual Trans.

AR = Use as required - = Non illustrated part # = New this model year

September 16, 2005

Plumbing, Hevac 4.0L Engine, RHD  
Figure 024-240

ITEM	PART NUMBER	QTY	LINE	SERIES	BODY	ENGINE	TRANS	TRIM	DESCRIPTION
Note: Sales Code ER0 = 4.0L Gas Engine									
1	55037 506AA	1				ER0			LINE, A/C Discharge
2	5503 6292	1	U			EP0, ER0			LINE, A/C Liquid
-3	6036 153AA-	1				ER0			NUT, Hex, .437-14, A/C Line to Engine Block
4	1942 389	2							O RING, A/C Liquid Line
5	5503 6022	2							CLIP, A/C Liquid Line
6	55036 782AB	2	U			EP0, ER0			RETAINER, A/C Supply Line
7	55037 510AA	1	U			EP0, ER0			TUBE, A/C Liquid Line
-8	4596 152	2	U						CLIP, A/C Quick Disconnect
9	5503 6304	1	U						BRACKET, Accumulator
10	55037 431AB	1							BAND, Accumulator Retaining
11	55037 442AA	1	U			EP0, ER0			ACCUMULATOR, Suction Line
-12	4723 029	1	U			ER0			VALVE, A/C Discharge Line Check
-13	4596 152	2	U						CLIP, A/C Quick Disconnect
14	55037 513AA	1	U			EP0, ER0			CONDENSER, Air Conditioning
15									NUT, (NOT SERVICED) (Not Serviced)
16									SCREW, (NOT SERVICED) (Not Serviced)



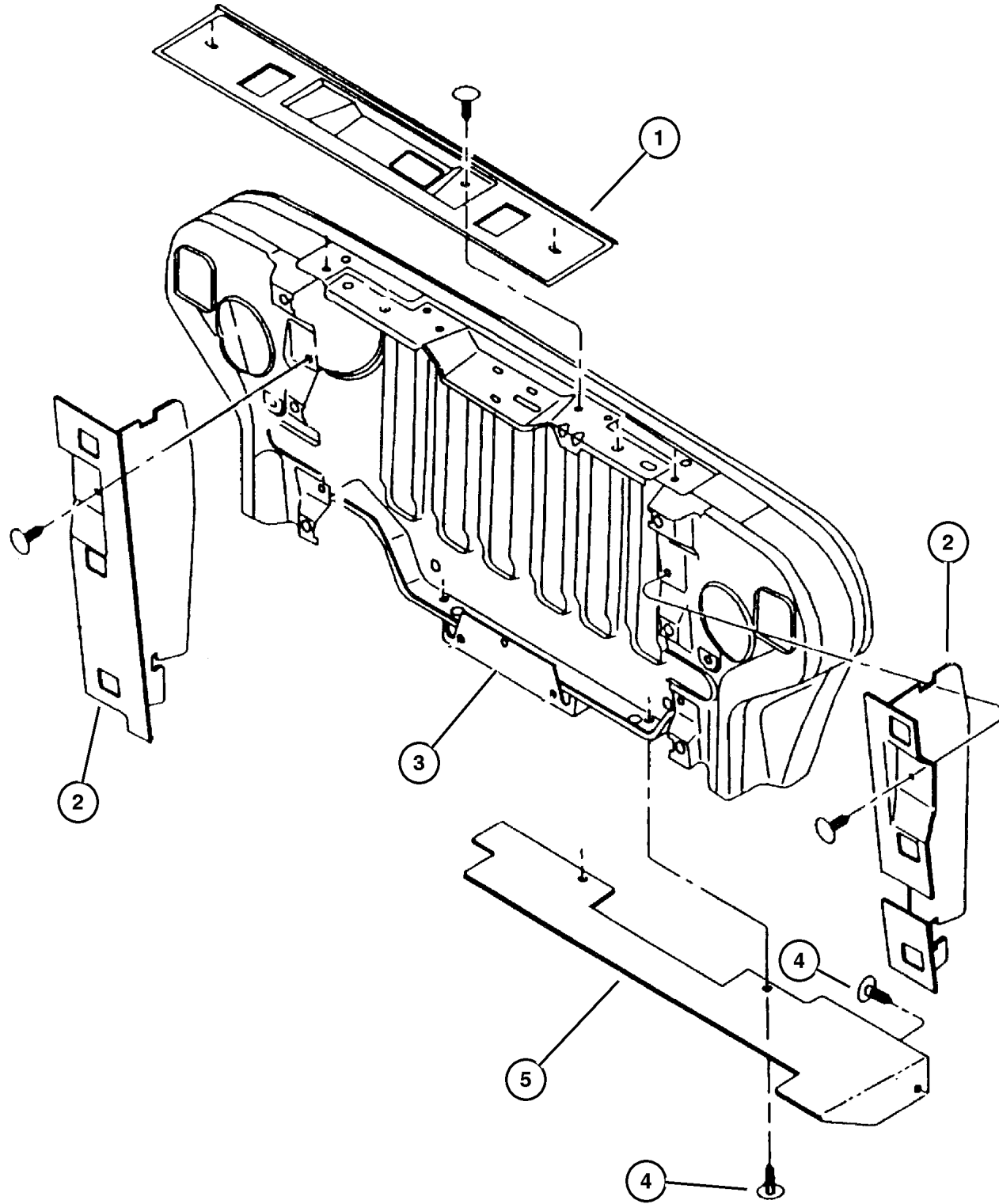
<b>JEEP WRANGLER (TJ)</b>			
SERIES	LINE	BODY	ENGINE
H = Sport	J = Wrangler 4WD	77 = 93.4 WB	EPE, EP0 = 2.5L Power Tech
L = SE	U = Wrangler 4WD (RHD)		ERH, ER0 = 4.0L Power Tech
P = Sahara			
		TRANSMISSION	
		DGG, DGD = 32RH 3 Spd. Auto.	
		DDQ = 5 Spd. Manual	
		DDD = 5 Speed HD Manual	
		DG0 = Auto. Trans.	
		DBB = Manual Trans.	

AR = Use as required - = Non illustrated part # = New this model year

September 16, 2005

Seals, A/C Condenser  
Figure 024-245

ITEM	PART NUMBER	QTY	LINE	SERIES	BODY	ENGINE	TRANS	TRIM	DESCRIPTION
1	5503 6369	1							SEAL, Condenser
2	55036 866AC	1							SEAL, Condenser
3	5503 6867	1							SEAL, Condenser, Condenser to Grille
4	6030 441	12							PIN, Retainer, Push
5	5503 6369	1							SEAL, Condenser, Lower



<b>JEEP WRANGLER (TJ)</b>				
SERIES	LINE	BODY	ENGINE	TRANSMISSION
H = Sport	J = Wrangler 4WD	77 = 93.4 WB	EPE, EP0 = 2.5L Power Tech	DGG, DGD = 32RH 3 Spd. Auto.
L = SE	U = Wrangler 4WD (RHD)		ERH, ER0 = 4.0L Power Tech	DDQ = 5 Spd. Manual
P = Sahara				DDD = 5 Speed HD Manual
				DG0 = Auto. Trans.
				DBB = Manual Trans.

AR = Use as required - = Non illustrated part # = New this model year

September 16, 2005

**Control, Heater And A/c  
Figure 024-310**

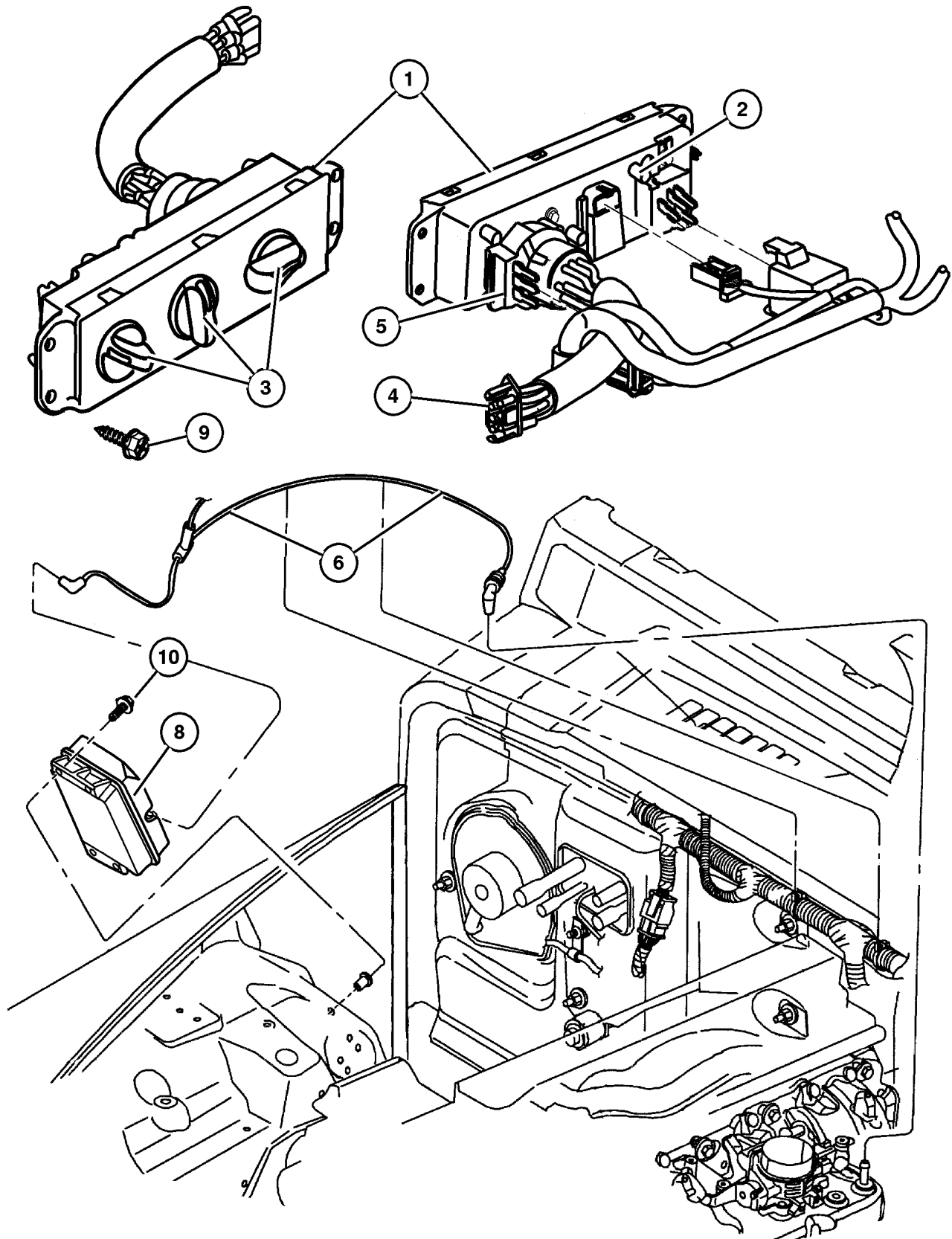
ITEM	PART NUMBER	QTY	LINE	SERIES	BODY	ENGINE	TRANS	TRIM	DESCRIPTION
Note: Sales Code EP0 = 2.5L Gas Engine									
Note: Sales Code ER0 = 4.0L Gas Engine									
1	55037 472AB	1							CONTROL UNIT, Air Conditiing without A/C
	55037 473AB	1							
2	5013 829AA	1							BULB, Heater and A/C Control
3	5011 218AB	3							KNOB, A/C And Heater Control - Rotary
4	5013 830AA	1							HARNESS, A/C And Heater Vacuum without A/C
	5013 831AA	1							
5	5013 832AA	1							SWITCH, A/C and Heater Vacuum without A/C
	5013 833AA	1							
6	55036 353AC	1	U			EP0			HOSE AND VALVE, Vacuum
	55037 393AC	1	J			EP0			
-7	5503 7314	1	J						CLIP, Vacuum Harness
8	5503 5614	1							RESERVOIR, Vacuum, Cruise Control
9	6034 205	2							SCREW, Pan Head, .19-32x.625
10	6034 949	4							SCREW, M4.2x1.69x19.05
-11	5011 214AA-	1							SWITCH, Blower Control [HC0] [HA0]
		1							

**JEEP WRANGLER (TJ)**

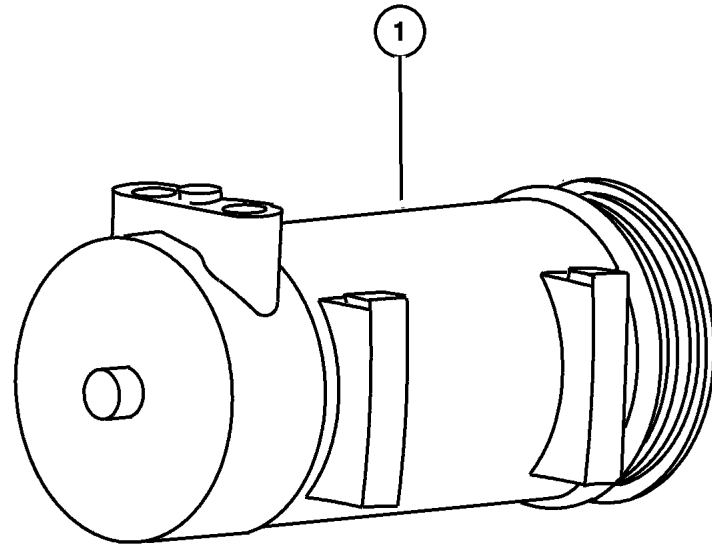
SERIES	LINE	BODY	ENGINE	TRANSMISSION
H = Sport	J = Wrangler 4WD	77 = 93.4 WB	EPE, EP0 = 2.5L Power Tech	DGG, DGD = 32RH 3 Spd. Auto.
L = SE	U = Wrangler 4WD (RHD)		ERH, ER0 = 4.0L Power Tech	DDQ = 5 Spd. Manual
P = Sahara				DDD = 5 Speed HD Manual
				DG0 = Auto. Trans.
				DBB = Manual Trans.

AR = Use as required - = Non illustrated part # = New this model year

September 16, 2005



**Compressor, Air Conditioning  
Figure 024-410**



ITEM	PART NUMBER	QTY	LINE	SERIES	BODY	ENGINE	TRANS	TRIM	DESCRIPTION
Note: Sales Code EP0 = 2.5L Gas Engine									
Note: Sales Code ER0 = 4.0L Gas Engine									
1									COMPRESSOR, Air Conditioning
	55037 432AA	1				EP0			
	55116 144AB	1				ER0			
-2									CLUTCH, A/C Compressor, Shim Package
	5014 092AA-	1				EP0			
	5014 415AA-	1				ER0			
-3									COIL, Air Conditioning Clutch
	5003 681AA-	1				EP0			
		1				ER0			
-4									PULLEY HUB KIT, A/C Compressor
	4720 834	1				EP0			
		1				ER0			
-5									SNAP RING KIT, A/C Clutch
	5264 454	1				EP0			
		1				ER0			
-6									MANIFOLD KIT, A/C Compressor
	5014 093AA-	1				EP0			
	5014 413AA-	1				ER0			
-7									SEAL, Manifold To Compressor
	4728 854	1				EP0			
		1				ER0			
-8	8230 0102	1							LUBRICANT, Oil, 75w90

**JEEP WRANGLER (TJ)**

SERIES  
H = Sport  
L = SE  
P = Sahara

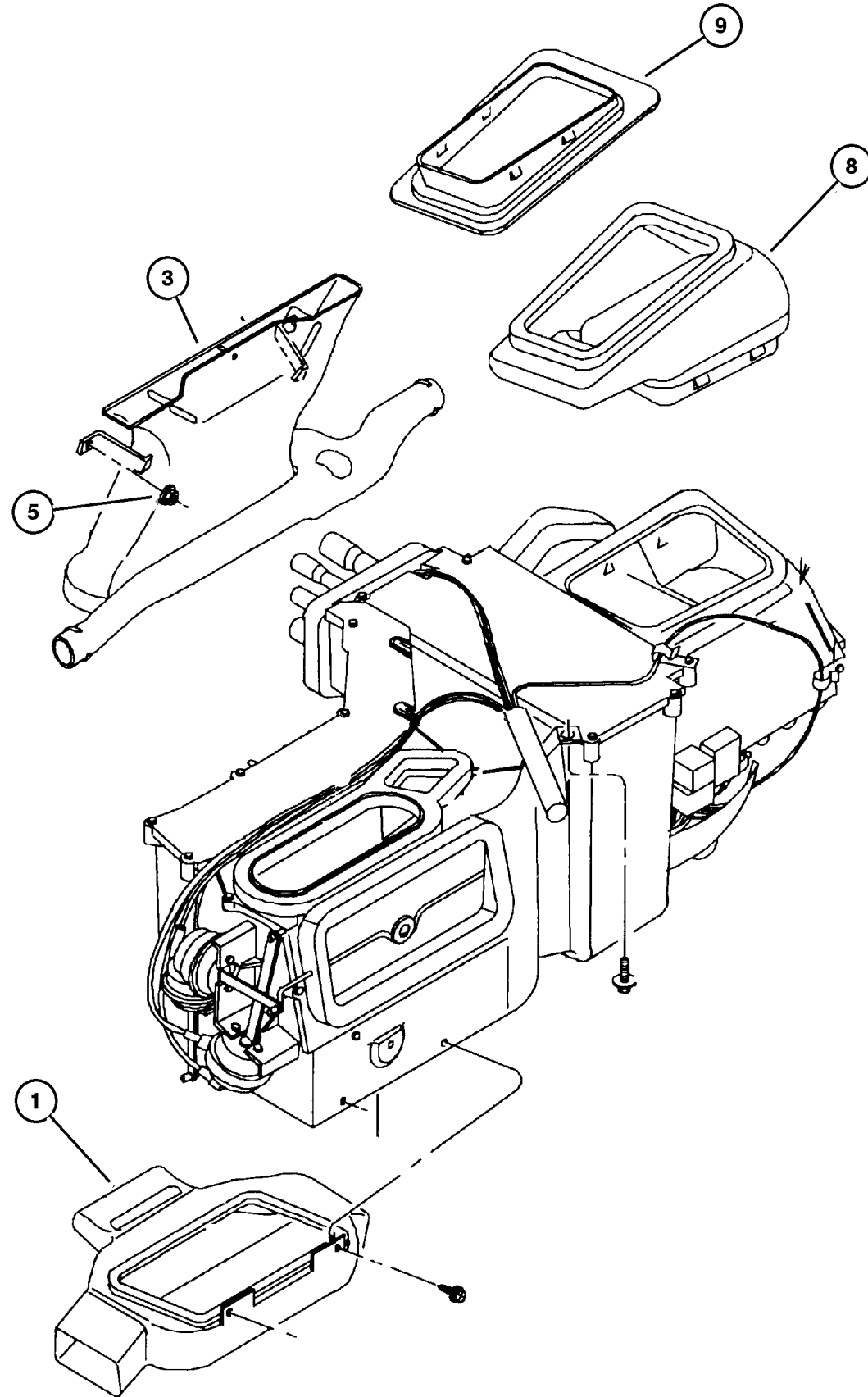
LINE  
J = Wrangler 4WD  
U = Wrangler 4WD (RHD)

BODY  
77 = 93.4 WB

ENGINE  
EPE, EP0 = 2.5L Power Tech  
ERH, ER0 = 4.0L Power Tech

TRANSMISSION  
DGG, DGD = 32RH 3 Spd. Auto.  
DDQ = 5 Spd. Manual  
DDD = 5 Speed HD Manual  
DG0 = Auto. Trans.  
DBB = Manual Trans.

Ducts, Heater And A/c  
Figure 024-610



ITEM	PART NUMBER	QTY	LINE	SERIES	BODY	ENGINE	TRANS	TRIM	DESCRIPTION
1	4874 088	1	J						DUCT, Floor Distribution
	4874 089	1	U						
-2	5511 5158	1	J						DUCT, A/C Outlet
	5511 5715	1	U						
3	5511 5161	1	J						DUCT, Defroster
-4	5503 6468	1	U						DUCT, Demister, RHD
5	6100 839	2							NUT, Push, M5
-6	5511 5576	1	J						DUCT, Door Demister
	5511 5577	1	U						
-7	5503 6309	1	J						ADAPTER, Demister
	5503 6308	1	U						
8	55037 540AA	1	J						DUCT, Fresh Air
	55037 541AA	1	U						
9	55036 474AC	1	J						COLLAR, Plenum
	55036 497AC	1	U						

JEEP WRANGLER (TJ)

SERIES  
H = Sport  
L = SE  
P = Sahara

LINE  
J = Wrangler 4WD  
U = Wrangler 4WD (RHD)

BODY  
77 = 93.4 WB

ENGINE  
EPE, EP0 = 2.5L Power Tech  
ERH, ER0 = 4.0L Power Tech

TRANSMISSION  
DGG, DGD = 32RH 3 Spd. Auto.  
DDQ = 5 Spd. Manual  
DDD = 5 Speed HD Manual  
DG0 = Auto. Trans.  
DBB = Manual Trans.

# Group – 025

## Emission Systems

### GROUP 25 - Emission Systems

Illustration Title

Group-Fig. No.

#### Emission Labels

Emission Labels, 2.5 (EPE), 4.0 (ERH) ..... Fig. 025-110

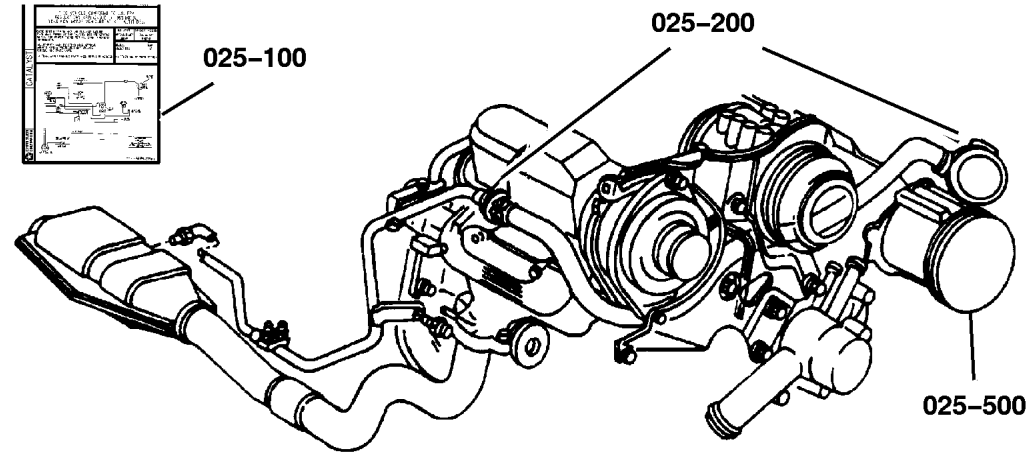
#### Vacuum Canister

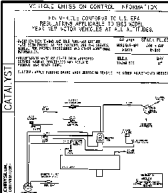
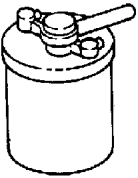
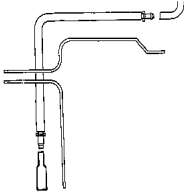
Vacuum Canister, 2.5 (EPE), 4.0 (ERH) ..... Fig. 025-310

#### Emission Harness

Emission Control Vacuum Harness, 2.5 (EPE), 4.0 (ERH) ..... Fig. 025-410

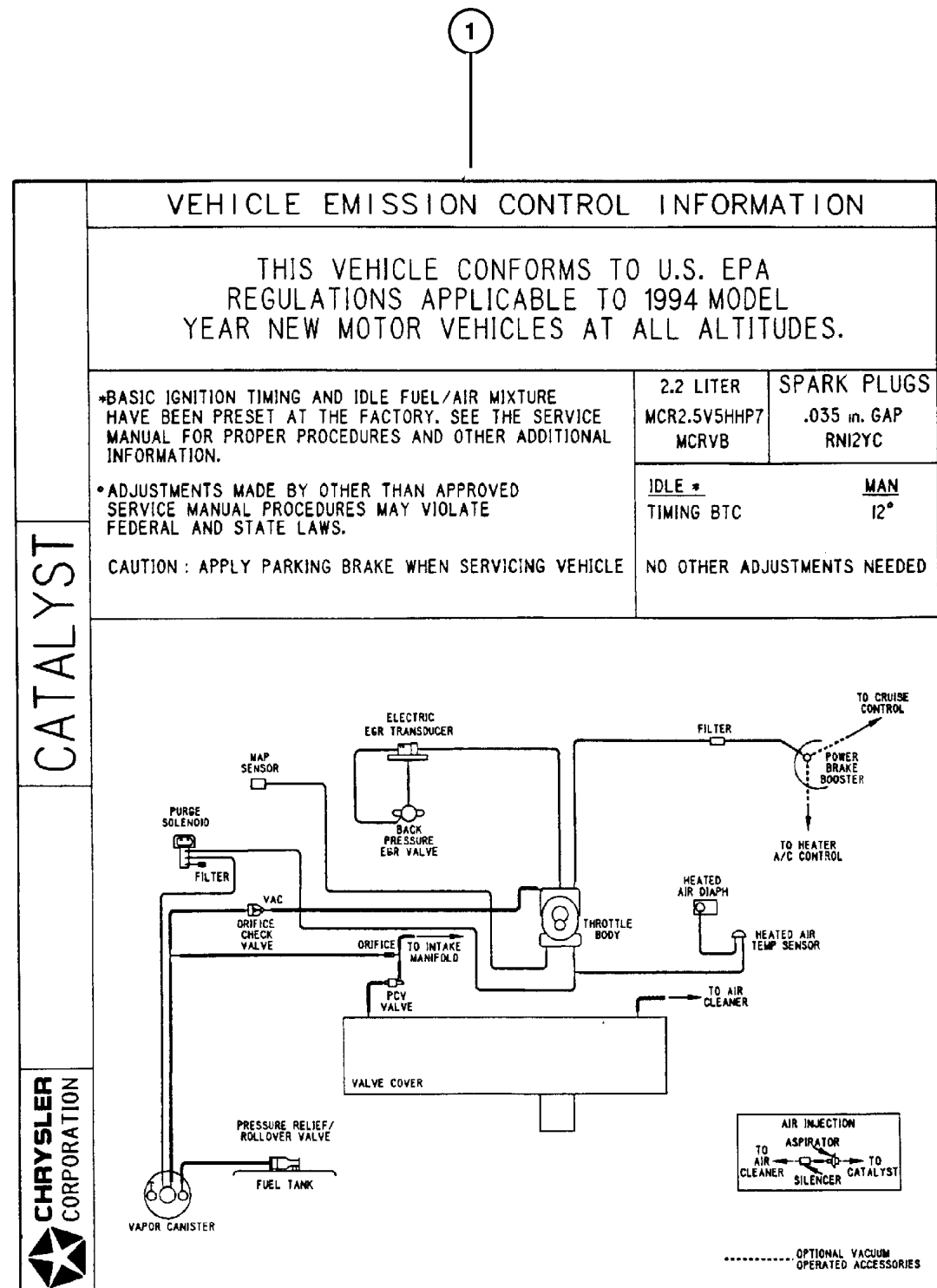
Leak Detection Pump, 2.5 (EPE), 4.0 (ERH) ..... Fig. 025-420



<p><b>025-100</b> Emission Labels</p> 	<p><b>025-300</b> Vacuum Canister</p> 	<p><b>025-400</b> Emission Harness</p> 	
---	---	---	--



Emission Labels, 2.5 (EPE), 4.0 (ERH)  
Figure 025-110



ITEM	PART NUMBER	QTY	LINE	SERIES	BODY	ENGINE	TRANS	TRIM	DESCRIPTION
NOTE: EPE=2.5L Power Tech I-4, ERH= 4.0l Power Tech I-6.									
1	52109 636AA	1				EPE			LABEL, Emission
	52109 637AA	1				EPE			U.S. 50 States and Mexico
	52109 649AA	1				EPE			Canada
	52109 716AA	1				EPE			European
	52109 717AA	1				ER0			U.S. 50 States
						ER0			Canada

**JEEP WRANGLER (TJ)**

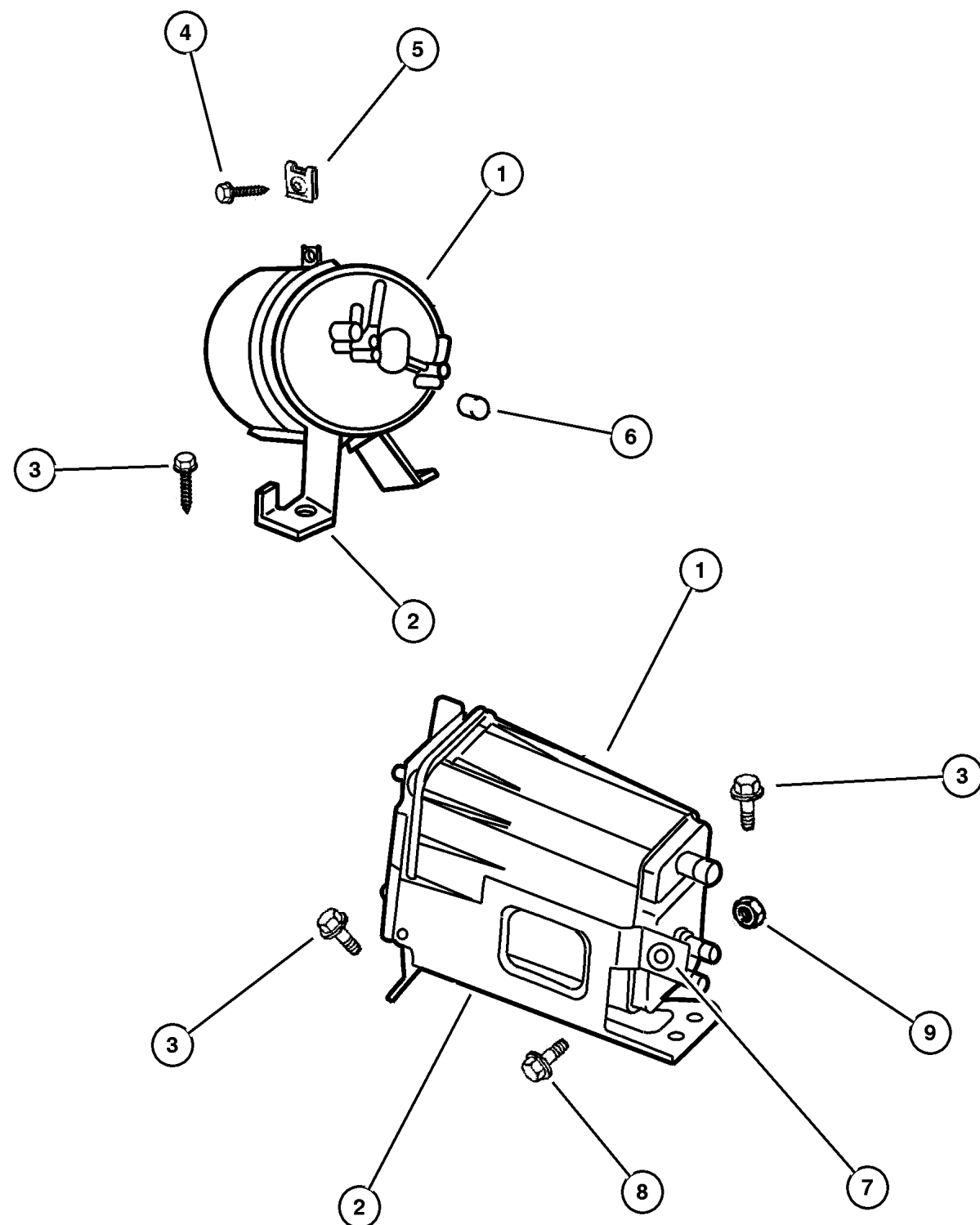
SERIES	LINE	BODY	ENGINE
H = Sport	J = Wrangler 4WD	77 = 93.4 WB	EPE, EP0 = 2.5L Power Tech
L = SE	U = Wrangler 4WD (RHD)		ERH, ER0 = 4.0L Power Tech
P = Sahara			

TRANSMISSION
DGG, DGD = 32RH 3 Spd. Auto.
DDQ = 5 Spd. Manual
DDD = 5 Speed HD Manual
DG0 = Auto. Trans.
DBB = Manual Trans.

AR = Use as required - = Non illustrated part # = New this model year

September 16, 2005

Vacuum Canister, 2.5 (EPE), 4.0 (ERH)  
Figure 025-310



ITEM	PART NUMBER	QTY	LINE	SERIES	BODY	ENGINE	TRANS	TRIM	DESCRIPTION
Note;EPO= All 2.5 Gas Engines, ERO= All 4.0 Gas Engines.									
1	53031 904AB	1				EP0, ER0			CANISTER, Vapor Europe II, Leaded Gas
	5303 0838	1	J			ER0			Europe III
		1				EP0, ER0			U.S. 50 States
2	53030 617AC	1				EP0, ER0			BRACKET, Vapor Canister Europe II, Leaded Gas
	53013 164AB	1	U			ER0			Europe III, RHD
	53013 031AB	1				EP0, ER0			U.S. 50 States, Europe III
3									SCREW, M6x1.00x20.00, (NOT SERVICED) (Not Serviced)
4	6035 399	1				EP0, ER0			SCREW, .25-20
5	0153 355	1				EP0, ER0			U-NUT, .25-20
6	4192 074	1				EP0, ER0			CAP, Vapor Canister
7	4669 177	2				EP0, ER0			GROMMET, Air Cleaner Bracket
8	6101 452	1				EP0, ER0			SCREW AND WASHER, Hex Head, M8x1.25x20
9	6101 467	1				EP0, ER0			NUT, Hex Flange, M8x1.25

JEEP WRANGLER (TJ)

SERIES	LINE	BODY	ENGINE	TRANSMISSION
H = Sport	J = Wrangler 4WD	77 = 93.4 WB	EPE, EP0 = 2.5L Power Tech	DGG, DGD = 32RH 3 Spd. Auto.
L = SE	U = Wrangler 4WD (RHD)		ERH, ER0 = 4.0L Power Tech	DDQ = 5 Spd. Manual
P = Sahara				DDD = 5 Speed HD Manual
				DG0 = Auto. Trans.
				DBB = Manual Trans.

AR = Use as required - = Non illustrated part # = New this model year

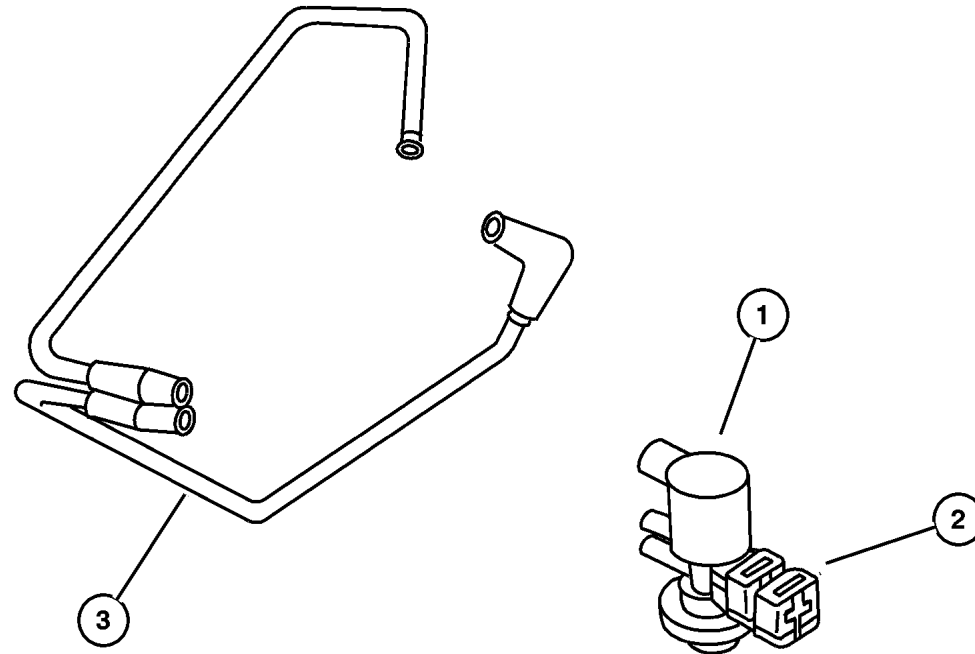
September 16, 2005

**Emission Control Vacuum Harness, 2.5 (EPE), 4.0 (ERH)  
Figure 025-410**

ITEM	PART NUMBER	QTY	LINE	SERIES	BODY	ENGINE	TRANS	TRIM	DESCRIPTION
------	-------------	-----	------	--------	------	--------	-------	------	-------------

NOTE: EP0=All 2.5L Gas Engines ER0=All 4.0L Engines,  
DDQ= Manual Transmissions

1	4669 475AB	1				EP0, ER0			SOLENOID, Duty Cycle Purge
2	5017 181AA	1				EP0, ER0			BRACKET, Duty Cycle Purge Solenoid
3	4854 133AB	1	J			EP0			HARNESS, Vacuum Canister Purge U.S. 50 States
	4854 134AC	1	J			ER0			U.S. 50 States anf Europe III
	4854 160	1				EP0			Leaded Fuel
	52109 560AA	1	U			EP0	DDQ		Europe III
	4854 163AB	1				ER0			Europe II and Leaded Fuel
	53013 326AA	1	U			ER0			Europe III
-4	4591 090	1	J			EP0			PORT, Emission Testing

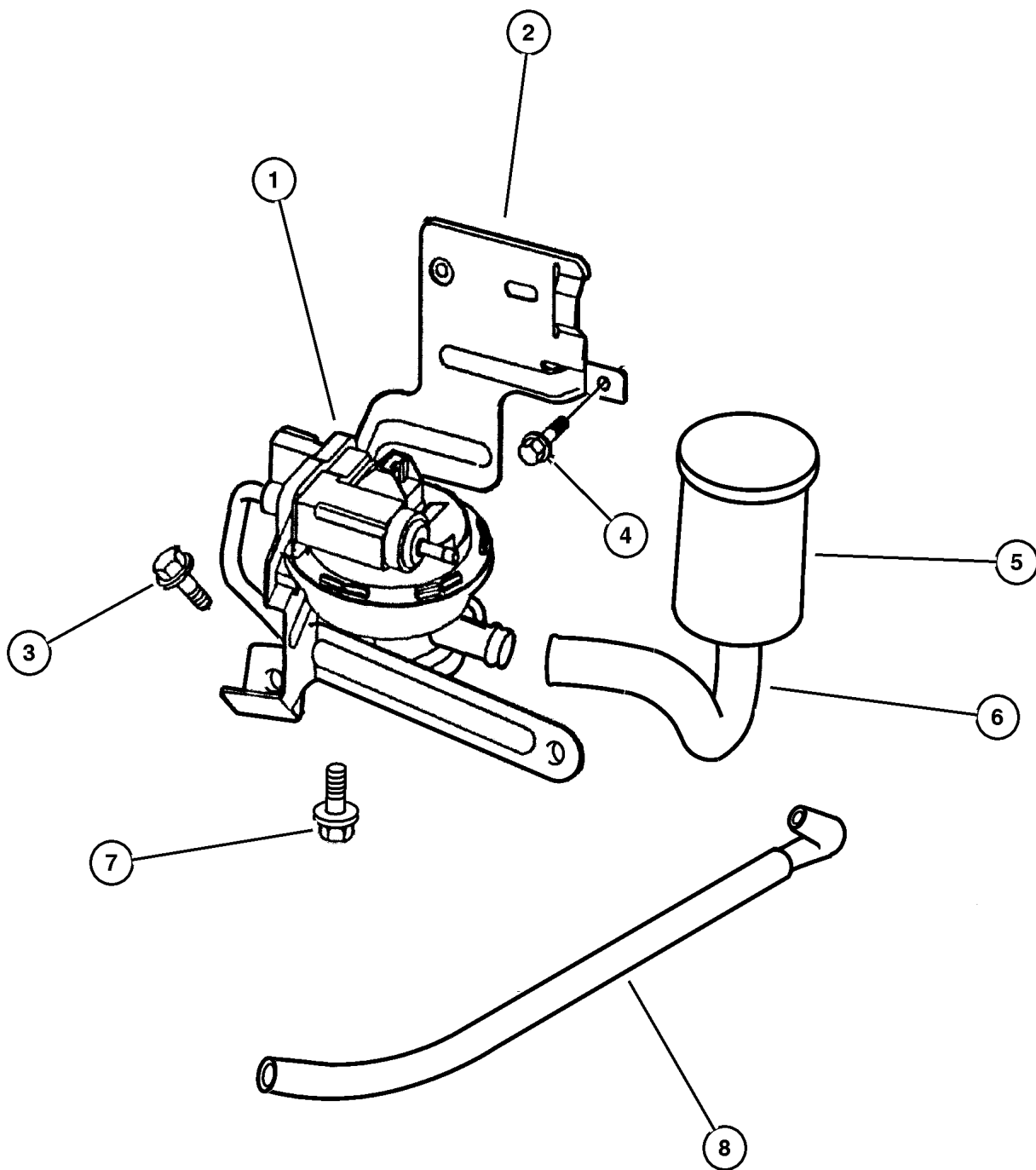


<b>JEEP WRANGLER (TJ)</b>				
SERIES	LINE	BODY	ENGINE	TRANSMISSION
H = Sport	J = Wrangler 4WD	77 = 93.4 WB	EPE, EP0 = 2.5L Power Tech	DGG, DGD = 32RH 3 Spd. Auto.
L = SE	U = Wrangler 4WD (RHD)		ERH, ER0 = 4.0L Power Tech	DDQ = 5 Spd. Manual
P = Sahara				DDD = 5 Speed HD Manual
				DG0 = Auto. Trans.
				DBB = Manual Trans.

AR = Use as required - = Non illustrated part # = New this model year

September 16, 2005

**Leak Detection Pump, 2.5 (EPE), 4.0 (ERH)  
Figure 025-420**



ITEM	PART NUMBER	QTY	LINE	SERIES	BODY	ENGINE	TRANS	TRIM	DESCRIPTION
Note; EPO= All 2.5 Gas Engines, ERO= All 4.0 Gas Engines.									
1	4891 413AC	1	J			EPO, ERO			PUMP, Leak Detection
2	4854 172	1	J			EPO, ERO			BRACKET, Leak Detection Pump
3	6035 102	2				EPO, ERO			SCREW, Hex Flange Head Tapping, .25-14x.75, M6x1.00x20.00
4	6502 946	1				EPO, ERO			SCREW, Heat Shield, M6x1.00x13. 00, M6x1.00x11.00
5	4612 901	1	J			EPO, ERO			FILTER, Fuel Vapor Vent
6	4854 195	1	J			EPO, ERO			HOSE, Leak Detection Pump
7	6035 482	3	J			EPO, ERO			SCREW, Tapping, .19-16x.375
8	4854 195AC	1	J			EPO, ERO			HOSE, Leak Detection Pump to Canister
-9									TUBE, LDP to Intake Manifold
	53013 033AB-	1				EPO			
	53013 034AB-	1				ERO			

JEEP WRANGLER (TJ)			
SERIES	LINE	BODY	ENGINE
H = Sport	J = Wrangler 4WD	77 = 93.4 WB	EPE, EPO = 2.5L Power Tech
L = SE	U = Wrangler 4WD (RHD)		ERH, ERO = 4.0L Power Tech
P = Sahara			

TRANSMISSION
DGG, DGD = 32RH 3 Spd. Auto.
DDQ = 5 Spd. Manual
DDD = 5 Speed HD Manual
DG0 = Auto. Trans.
DBB = Manual Trans.

AR = Use as required - = Non illustrated part # = New this model year

September 16, 2005

# Group – DTJ

## Doors and Related Parts

### GROUP DTJ - Doors and Related Parts

Illustration Title

Group-Fig. No.

#### Front Door

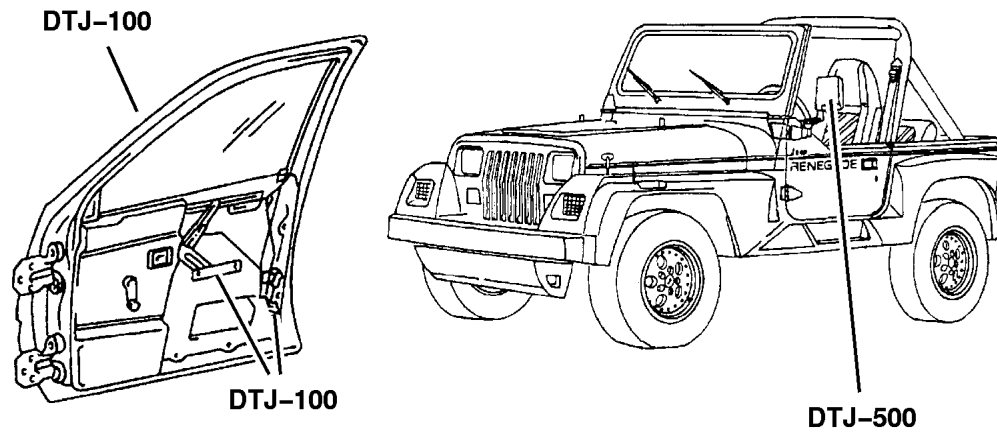
Door, Full Front Shell And Hinges .....	Fig. DTJ-110
Door, Full Front Glass And Regulator .....	Fig. DTJ-120
Door, Full Front Lock And Controls .....	Fig. DTJ-130
Door, Half Front Shell And Hinges .....	Fig. DTJ-160
Door, Half Front Lock And Controls .....	Fig. DTJ-170

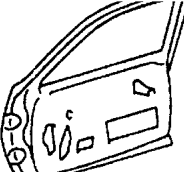
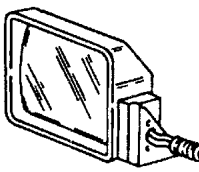
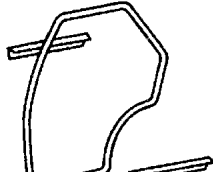
#### Exterior Mirror

Mirror, Exterior .....	Fig. DTJ-510
------------------------	--------------

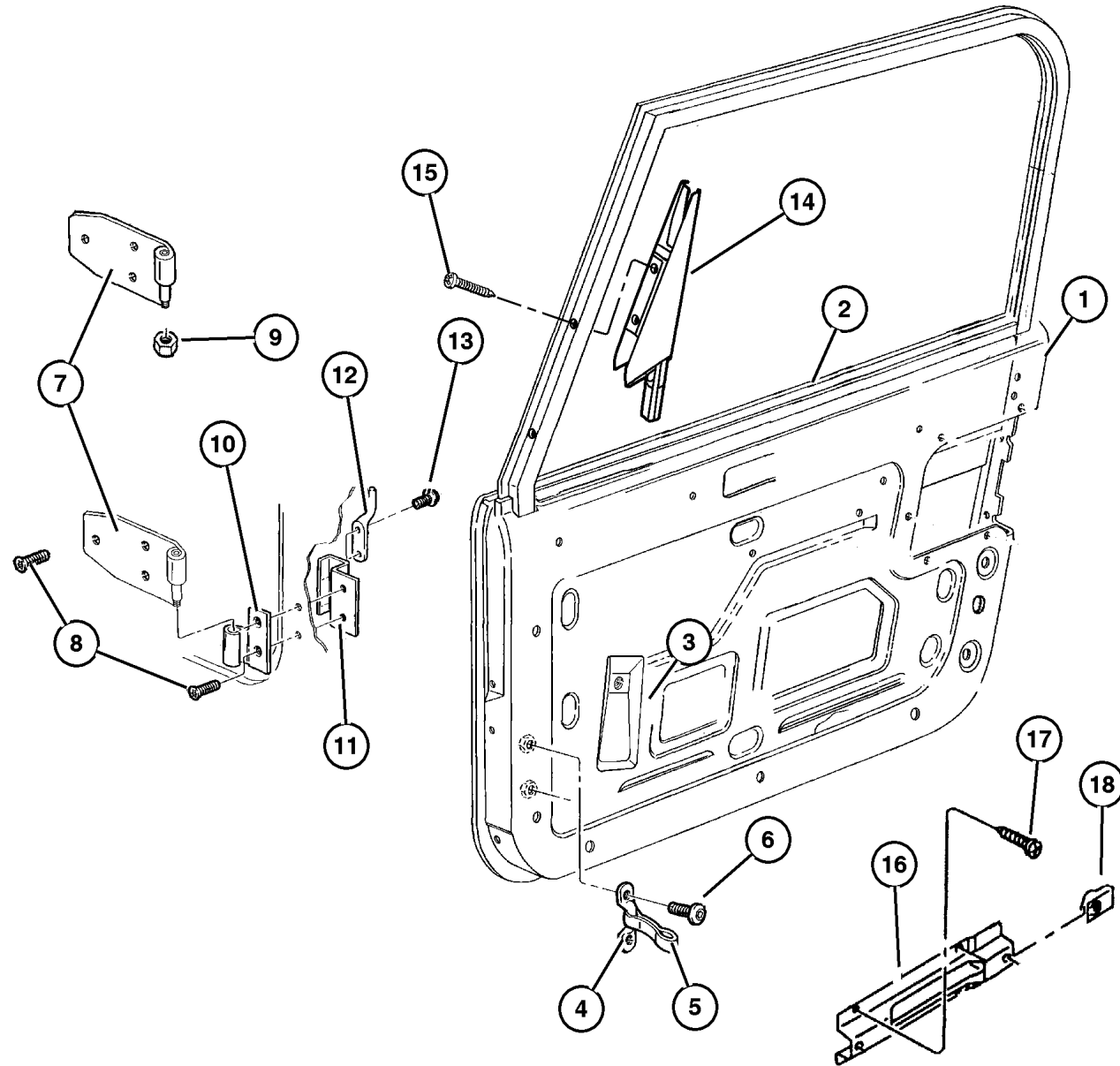
#### Weatherstrips and Seals

Door Weatherstrips And Runs .....	Fig. DTJ-610
-----------------------------------	--------------



<p><b>DTJ-100</b> Front Door</p> 	<p><b>DTJ-500</b> Exterior Mirror</p> 	<p><b>DTJ-600</b> Weatherstrips and Seals</p> 	
--	---	--	--

**Door, Full Front Shell And Hinges  
Figure DTJ-110**



ITEM	PART NUMBER	QTY	LINE	SERIES	BODY	ENGINE	TRANS	TRIM	DESCRIPTION
1									DOOR, Front, Shell
	55176 536AC	1							Right
	55176 537AC	1							Left
2									PANEL, Door Outer
	5517 6540	1							Right
	5517 6541	1							Left
3									WATERSHIELD, Front Door
	55175 786AE	1							Right
	55175 787AE	1							Left
4	5501 3666	2							FOOTMAN LOOP, Hold Down
5	5517 6339	2							CHECK, Front Door
6	6036 102AA	4							SCREW, .19-24.50
7									HINGE, Door Half
	5517 6366	1							Lower Right
	5517 6367	1							Lower Left
	5517 6368	1							Upper Right
	5517 6369	1							Upper Left
8	6504 443	12							SCREW
9	6504 417	4							NUT, Hex, M8x1.25
10									HINGE, Body Half
	55075 560AB	1							Lower Body Half, Right
	55075 561AB	1							Lower Body Half, Left
11	J545 9281	2							TAPPING PLATE, Door Hinge Body Half
12	J545 9286	2							PIN, Restraint Strap
13	6501 979	2							SCREW AND WASHER, Hex Head, M6x1x17
14									PANEL, Door Outer
	55176 568AB	1							Sail, Right
	55176 569AB	1							Sail, Left
15									SCREW, (NOT SERVICED) (Not Serviced)
16	55175 848AC	2							BRACKET, Grab Handle
17									SCREW, (NOT SERVICED) (Not Serviced)
18	6504 993AA	4							NUT

**JEEP WRANGLER (TJ)**

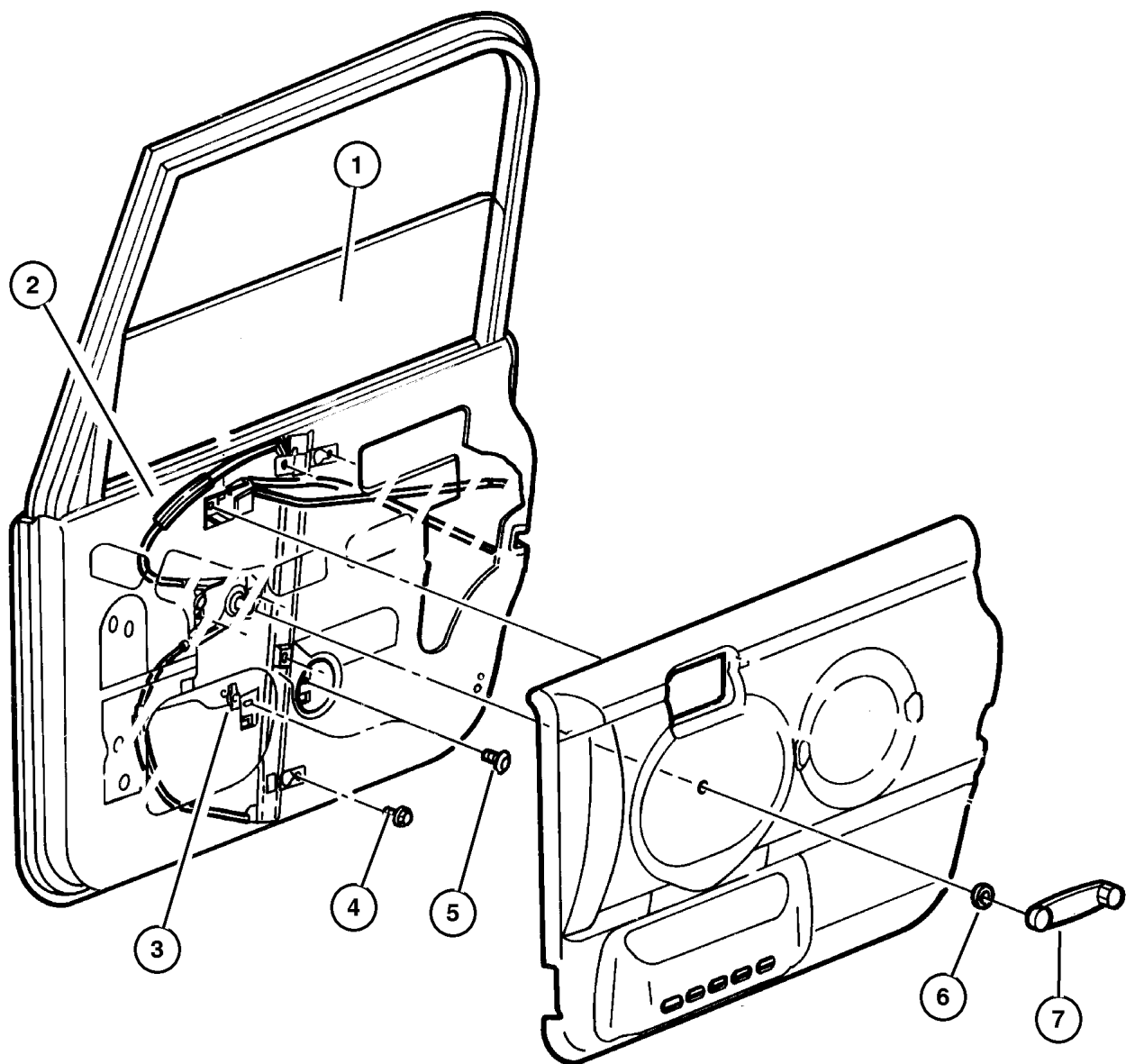
SERIES	LINE	BODY	ENGINE	TRANSMISSION
H = Sport	J = Wrangler 4WD	77 = 93.4 WB	EPE, EP0 = 2.5L Power Tech	DGG, DGD = 32RH 3 Spd. Auto.
L = SE	U = Wrangler 4WD (RHD)		ERH, ER0 = 4.0L Power Tech	DDQ = 5 Spd. Manual
P = Sahara				DDD = 5 Speed HD Manual
				DG0 = Auto. Trans.
				DBB = Manual Trans.

AR = Use as required - = Non illustrated part # = New this model year

September 16, 2005

**Door, Full Front Glass And Regulator  
Figure DTJ-120**

ITEM	PART NUMBER	QTY	LINE	SERIES	BODY	ENGINE	TRANS	TRIM	DESCRIPTION
1									GLASS, Door
	5517 5324	1							Right
	5517 5325	1							Left
2									REGULATOR, Front Door Window
	55076 024AB	1							Right
	55076 025AB	1							Left
3	5517 6412	4							GROMMET, Body
4									SCREW, (NOT SERVICED) (Not Serviced)
5	6035 224	4							SCREW, Pan Head Special, .25x10x.625
6	5507 6218	2							SPACER, Door Handle
7	FW80 PX9	2							HANDLE, Window Regulator, Glass

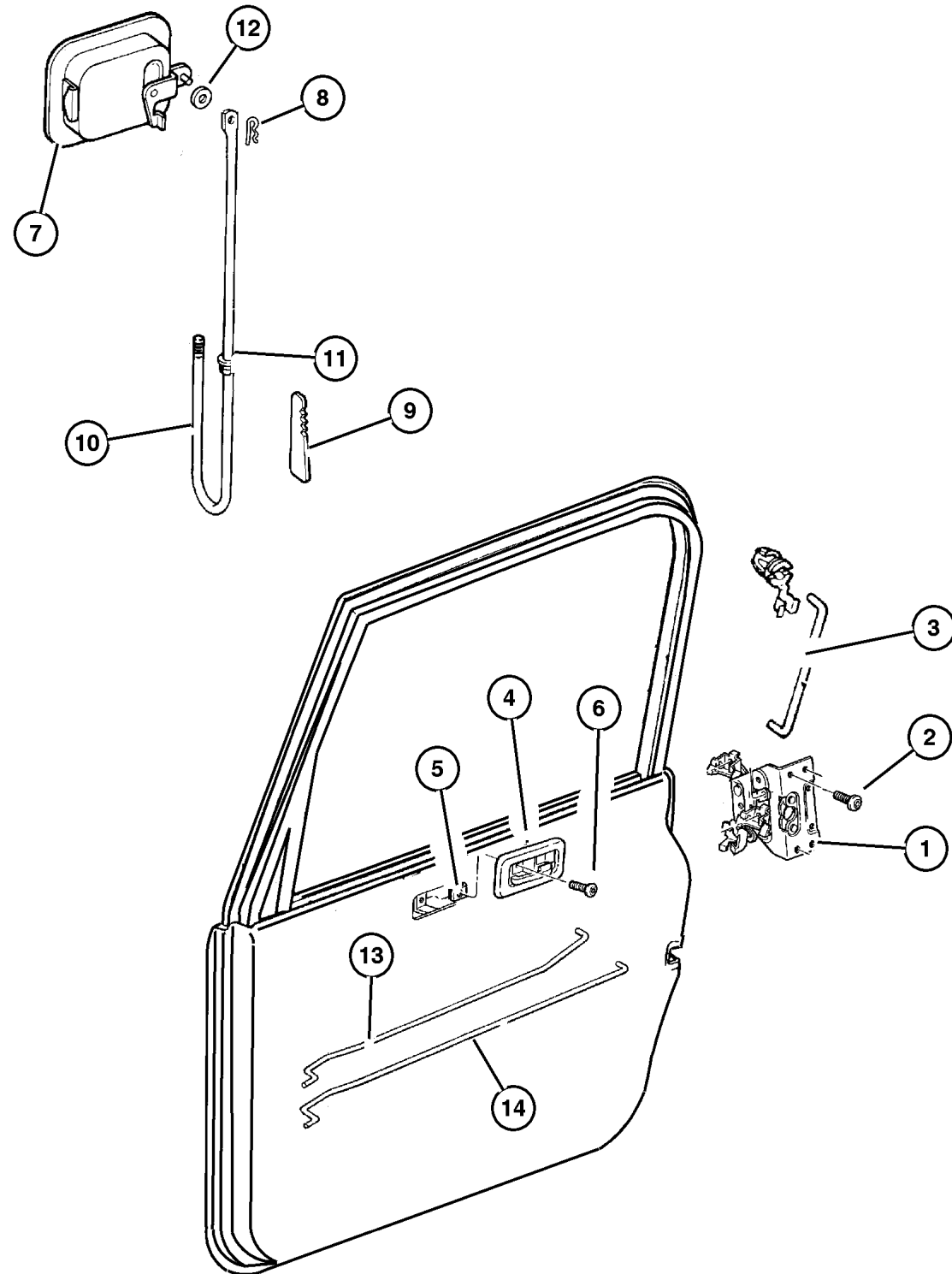


<b>JEEP WRANGLER (TJ)</b>				
SERIES	LINE	BODY	ENGINE	TRANSMISSION
H = Sport	J = Wrangler 4WD	77 = 93.4 WB	EPE, EP0 = 2.5L Power Tech	DGG, DGD = 32RH 3 Spd. Auto.
L = SE	U = Wrangler 4WD (RHD)		ERH, ER0 = 4.0L Power Tech	DDQ = 5 Spd. Manual
P = Sahara				DDD = 5 Speed HD Manual
				DG0 = Auto. Trans.
				DBB = Manual Trans.

AR = Use as required - = Non illustrated part # = New this model year

September 16, 2005

**Door, Full Front Lock And Controls**  
**Figure DTJ-130**



ITEM	PART NUMBER	QTY	LINE	SERIES	BODY	ENGINE	TRANS	TRIM	DESCRIPTION
1									LATCH, Front Door
	55075 990AE	1							Right
	55075 991AE	1							Left
2	6033 876	6							SCREW, Tapping, M6.3x1.8x38.1
3	5507 5989	2							LINK, Latch Locking
4									HANDLE, Inside Release
	55176 476AB	1							Right
	55176 477AB	1							Left
5	6503 998	2							NUT, U Multi Thread, M5 x .80
6	6505 026AA	2							SCREW, M5x16
7									HANDLE, Exterior Door
	55176 382AE	1							Right
	55176 383AE	1							Left
8	J400 5122	2							PIN, Hitch
9	5507 6221	4							KEEPER, Outside Handle
10									LINK, Latch Release
	5507 5992	1							Exterior Handle to Latch, Right
	5507 5993	1							Exterior Handle to Latch, Left
11	5517 6399	2							BUSHING, Door Handle
12									WASHER, (NOT SERVICED) (Not Serviced)
13									LINK, Door Latch
	55176 628AB	1							Right
	55176 629AB	1							Left
14									LINK, Door Latch
	5517 6630	1							Right
	5517 6631	1							Left
-15	55177 131AA-	2							BRACKET, Door Inside, J Rod Guide

**JEEP WRANGLER (TJ)**

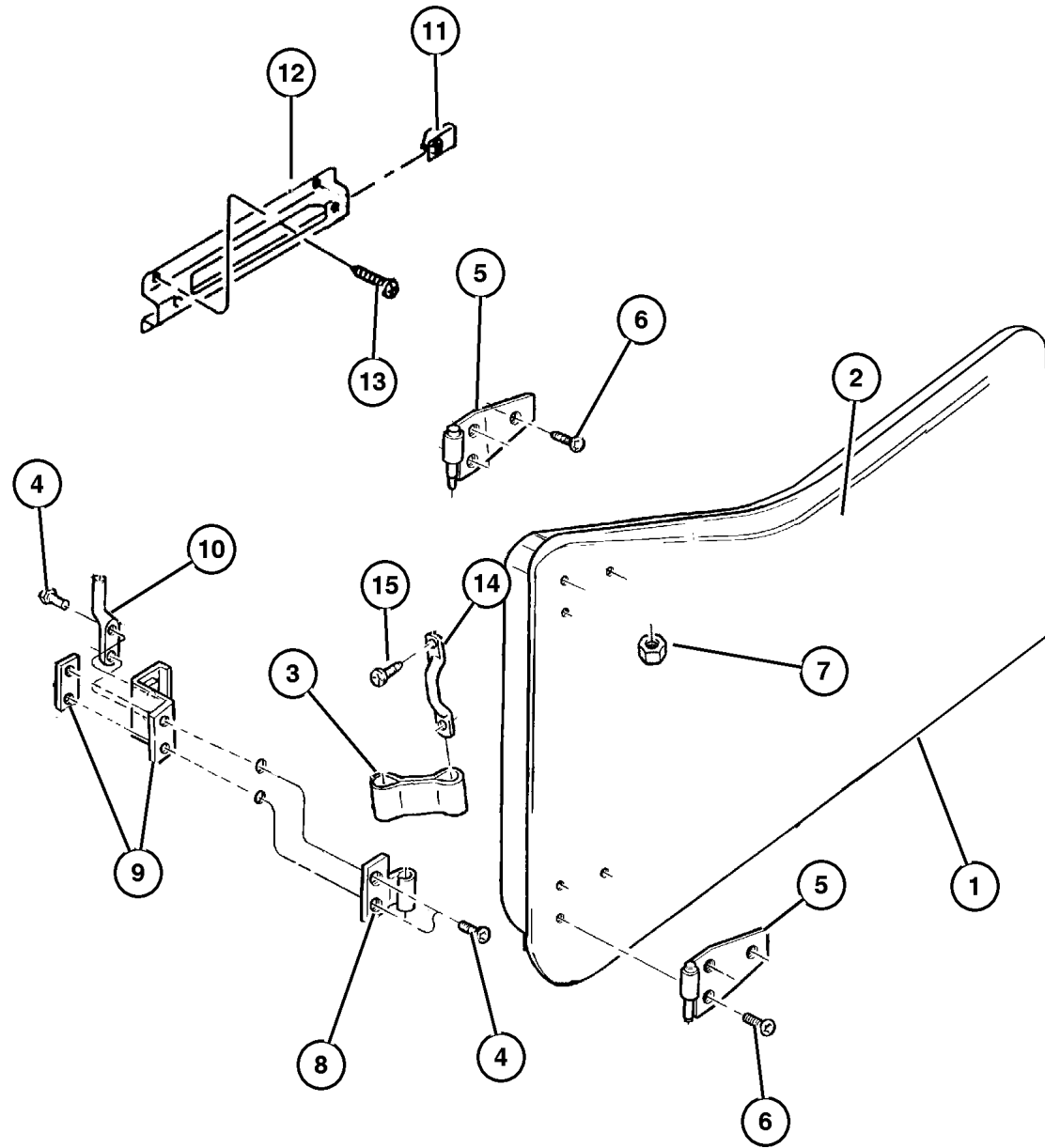
SERIES	LINE	BODY	ENGINE	TRANSMISSION
H = Sport	J = Wrangler 4WD	77 = 93.4 WB	EPE, EP0 = 2.5L Power Tech	DGG, DGD = 32RH 3 Spd. Auto.
L = SE	U = Wrangler 4WD (RHD)		ERH, ER0 = 4.0L Power Tech	DDQ = 5 Spd. Manual
P = Sahara				DDD = 5 Speed HD Manual
				DG0 = Auto. Trans.
				DBB = Manual Trans.

AR = Use as required - = Non illustrated part # = New this model year

September 16, 2005



**Door, Half Front Shell And Hinges  
Figure DTJ-160**



ITEM	PART NUMBER	QTY	LINE	SERIES	BODY	ENGINE	TRANS	TRIM	DESCRIPTION
1									DOOR, Front
	55174 846AB	1							Right
	55174 847AB	1							Left
2									PANEL, Door Outer
	5517 5196	1							Right
	5517 5197	1							Left
3	5517 6339	2							CHECK, Front Door
4	6035 757	8							SCREW
5									HINGE, Door Half
	5517 6366	1							Lower, Right
	5517 6367	1							Lower, Left
	5517 6368	1							Upper, Right
	5517 6369	1							Upper, Left
6	6504 443	12							SCREW
7	6504 417	4							NUT, Hex, M8x1.25
8									HINGE, Body Half
	55075 560AB	1							Lower Body Half, Right
	55075 561AB	1							Lower Body Half, Left
9	J545 9281	2							TAPPING PLATE, Door Hinge Body Half
10	J545 9286	2							PIN, Restraint Strap
11	6504 993AA	4							NUT
12	55175 849AC	2							BRACKET, Grab Handle
13									SCREW, (NOT SERVICED) (Not Serviced)
14	5501 3666	2							FOOTMAN LOOP, Hold Down
15	6035 757	4							SCREW

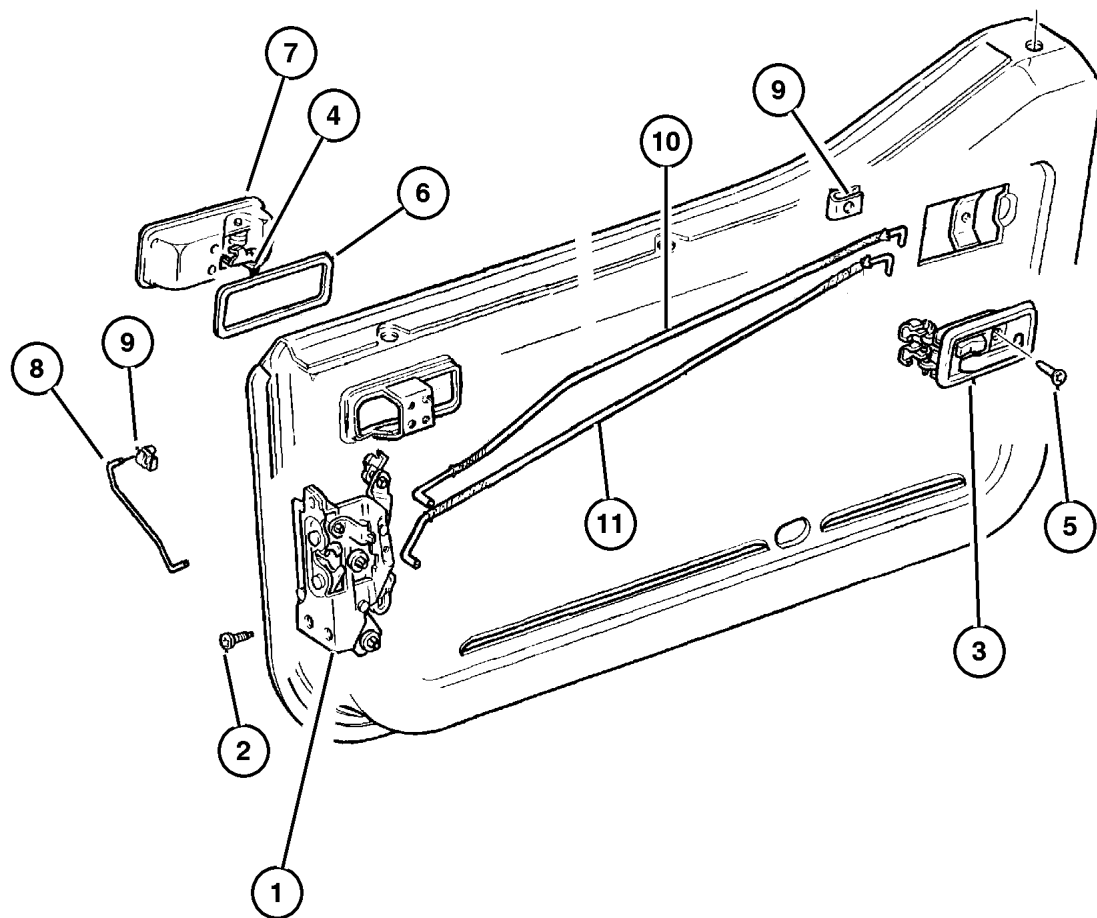
**JEEP WRANGLER (TJ)**

SERIES	LINE	BODY	ENGINE	TRANSMISSION
H = Sport	J = Wrangler 4WD	77 = 93.4 WB	EPE, EP0 = 2.5L Power Tech	DGG, DGD = 32RH 3 Spd. Auto.
L = SE	U = Wrangler 4WD (RHD)		ERH, ER0 = 4.0L Power Tech	DDQ = 5 Spd. Manual
P = Sahara				DDD = 5 Speed HD Manual
				DG0 = Auto. Trans.
				DBB = Manual Trans.

AR = Use as required - = Non illustrated part # = New this model year

September 16, 2005

**Door, Half Front Lock And Controls**  
**Figure DTJ-170**

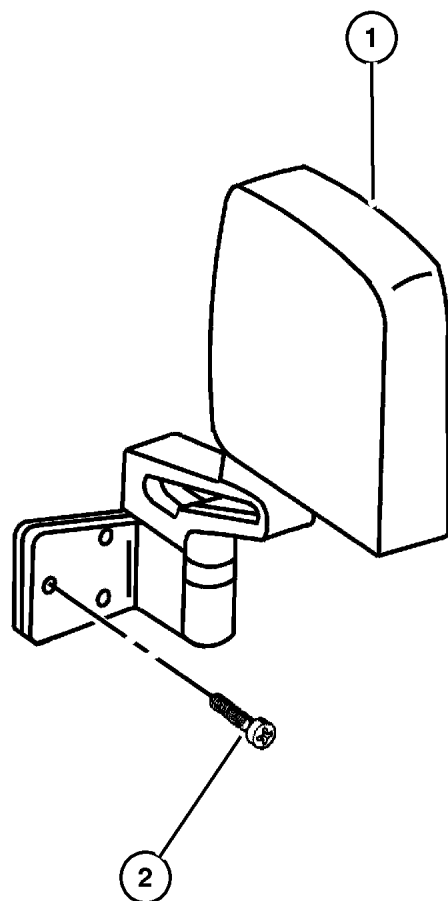


ITEM	PART NUMBER	QTY	LINE	SERIES	BODY	ENGINE	TRANS	TRIM	DESCRIPTION
1									LATCH, Front Door
	55075 982AB	1							Right
	55075 983AB	1							Left
2	6033 876	6							SCREW, Tapping, M6.3x1.8x38.1
3									HANDLE, Inside Release
	55176 476AB	1							Right
	55176 477AB	1							Left
4	55075 974AB	2							LINK, Latch Locking
5	6505 026AA	2							SCREW, M5x16
6	J374 3608	2							SEAL, Handle, Exterior Handle
7									HANDLE, Exterior Door
	55176 548AB	1							Right
	55176 549AB	1							Left
8									LINK, Latch Release
	5507 5976	1							Right
	5507 5977	1							Left
9	6503 998	2							NUT, U Multi Thread, M5 x .80
10									LINK, Door Latch
	5517 6626	1							Right
	5517 6627	1							Left
11									LINK, Door Latch
	5517 6624	1							Right
	5517 6625	1							Left

**JEEP WRANGLER (TJ)**

SERIES	LINE	BODY	ENGINE	TRANSMISSION
H = Sport	J = Wrangler 4WD	77 = 93.4 WB	EPE, EP0 = 2.5L Power Tech	DGG, DGD = 32RH 3 Spd. Auto.
L = SE	U = Wrangler 4WD (RHD)		ERH, ER0 = 4.0L Power Tech	DDQ = 5 Spd. Manual
P = Sahara				DDD = 5 Speed HD Manual
				DG0 = Auto. Trans.
				DBB = Manual Trans.

# Mirror, Exterior Figure DTJ-510



ITEM	PART NUMBER	QTY	LINE	SERIES	BODY	ENGINE	TRANS	TRIM	DESCRIPTION
Note: Sales Code GSE = Mirror Right									
Note: Sales Code GRE = Mirror Left									
Note: Sales Code GSV = Mirror Right Manual									
Note: Sales Code GRV = Mirror Left Manual									
1									MIRROR, Outside Rearview
	5515 4880	1							[GSE], Right
	5515 4881	1							[GRE], Left
	5515 4882	1	J						[GSV], Right
	5515 4883	1	J						[GRV], Left
	5515 5588	1	J						Middle East [GST], Right
	5515 5589	1	J						Middle East [GRT], Left
	5515 4882	1	J	H, L, P	77				[GCF], Right
	5515 4883	1	J	H, L, P	77				[GCF], Left
	5515 5044	1	U						[GSC], Right
	5515 5045	1	U						[GRC], Left
2	6034 566	6							SCREW, Tapping Flange Head, .25-20x.875

### JEEP WRANGLER (TJ)

SERIES	LINE	BODY	ENGINE	TRANSMISSION
H = Sport	J = Wrangler 4WD	77 = 93.4 WB	EPE, EP0 = 2.5L Power Tech	DGG, DGD = 32RH 3 Spd. Auto.
L = SE	U = Wrangler 4WD (RHD)		ERH, ER0 = 4.0L Power Tech	DDQ = 5 Spd. Manual
P = Sahara				DDD = 5 Speed HD Manual
				DG0 = Auto. Trans.
				DBB = Manual Trans.

AR = Use as required - = Non illustrated part # = New this model year

September 16, 2005



# Group – ETJ

## Exterior Ornamentation

### GROUP ETJ - Exterior Ornamentation

Illustration Title

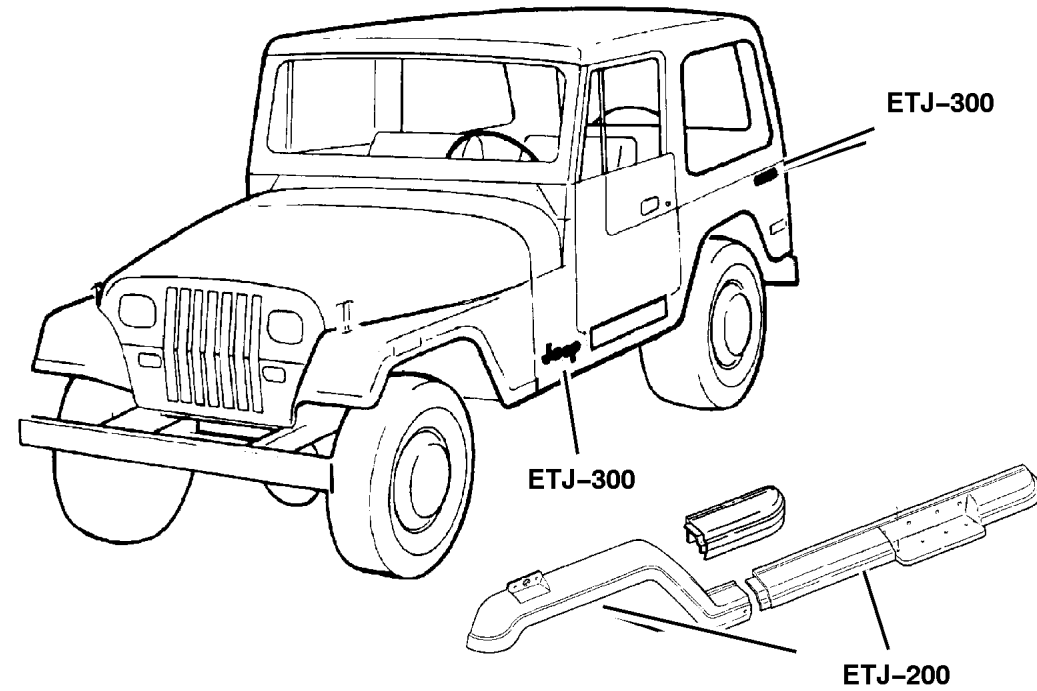
Group-Fig. No.

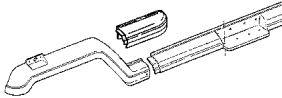
#### Moldings and Ornamentation

Moldings ..... Fig. ETJ-210

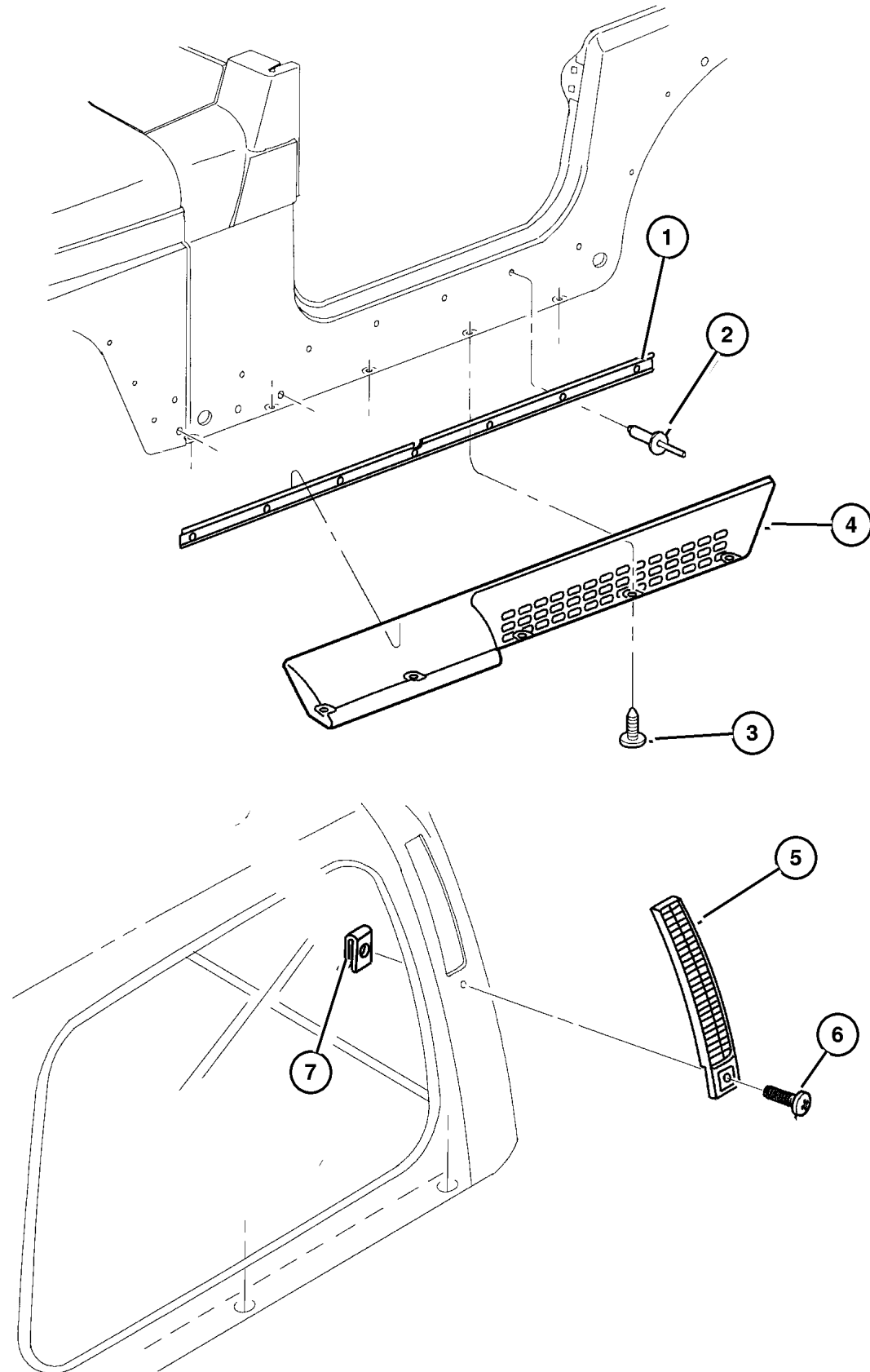
#### Decals and Tapestripes

Decals ..... Fig. ETJ-310



<p><b>ETJ-200</b> Moldings and Ornamentation</p> 	<p><b>ETJ-300</b> Decals and Tapestripes</p> <p><b>JEEP</b></p> <p><b>WRANGLER</b></p>		
--	--	--	--

## Mouldings Figure ETJ-210



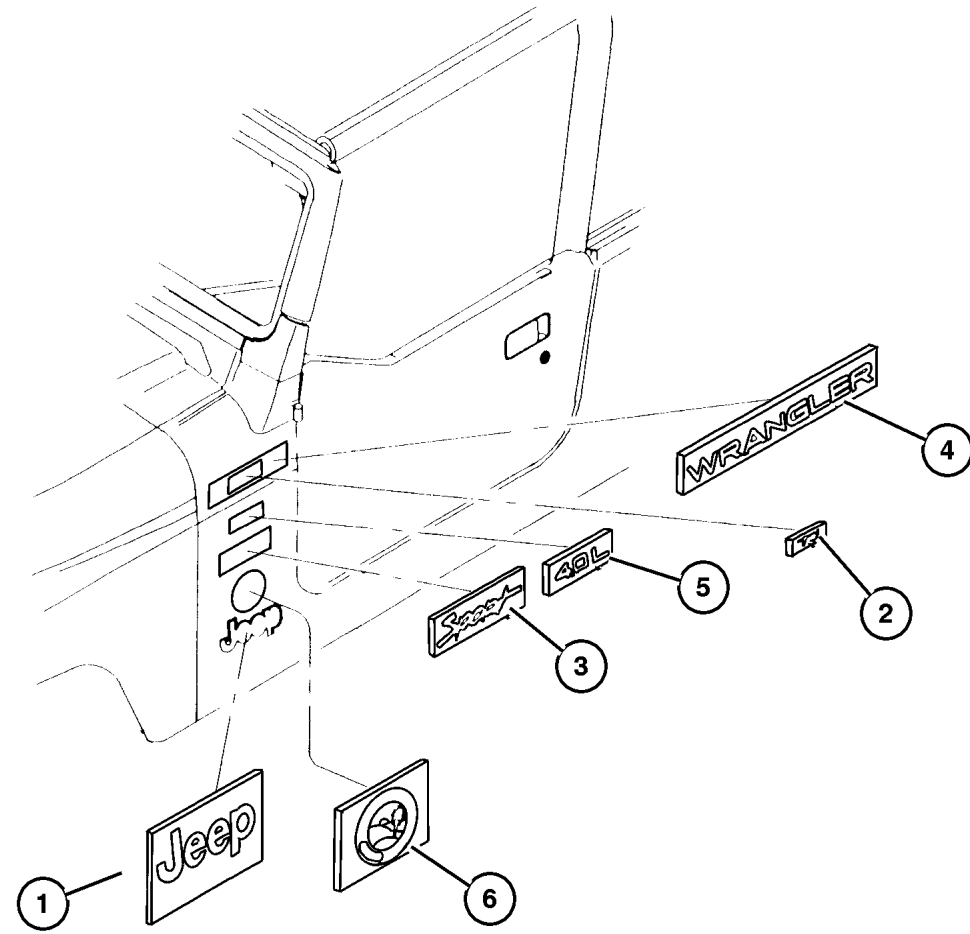
ITEM	PART NUMBER	QTY	LINE	SERIES	BODY	ENGINE	TRANS	TRIM	DESCRIPTION
1	55174 995AB	2		P					RAIL, Sill Molding Hanger
2	3420 1597	14		P					RIVET, Dome Head Blind, .1875x.625
3	6030 441	2	J						PIN, Retainer
4									MOLDING, Body Side, Service Dealer Paint
	5DS7 6TX8	1		P					Right
	5DS7 7TX8	1		P					Left
5									EXHAUSTER, Front Door
	5503 6306	1							Right
	5503 6307	1							Left
6									SCREW, (NOT SERVICED) (Not Serviced)
7									NUT, (NOT SERVICED) (Not Serviced)

<b>JEEP WRANGLER (TJ)</b>			
SERIES	LINE	BODY	ENGINE
H = Sport	J = Wrangler 4WD	77 = 93.4 WB	EPE, EP0 = 2.5L Power Tech
L = SE	U = Wrangler 4WD (RHD)		ERH, ER0 = 4.0L Power Tech
P = Sahara			
			TRANSMISSION
			DGG, DGD = 32RH 3 Spd. Auto.
			DDQ = 5 Spd. Manual
			DDD = 5 Speed HD Manual
			DG0 = Auto. Trans.
			DBB = Manual Trans.

AR = Use as required - = Non illustrated part # = New this model year

September 16, 2005

Decals  
Figure ETJ-310



ITEM	PART NUMBER	QTY	LINE	SERIES	BODY	ENGINE	TRANS	TRIM	DESCRIPTION
1	5FC8 4TA2	2							DECAL, Bodyside, JEEP [KWP]
	5FC8 4TA9	2							[KWR]
2	5FE5 6TA2	2	J						DECAL [KVP]
	5FE5 6TA9	2	J						[KVR]
3	5FC8 1HA2	2							DECAL, Bodyside, SPORT [KFP]
	5FC8 1HA9	2							[KFR]
4	5FC8 3TA2	2							DECAL, Bodyside, Wrangler [KXP]
	5FC8 3TA9	2							[KXR]
5	5FC8 5TA2	2							DECAL, 4.0L High Output [KYP]
	5FC8 5TA9	2							[KYR]
6	5FE5 2WGK	2							DECAL, Sahara, [KBT]
-7	5515 5566	2							PROTECTOR, Door Opening, Lower Door
-8	55156 599AA-	2							DECAL, "60TH ANNIVERSARY EDITION"

<b>JEEP WRANGLER (TJ)</b>				
SERIES	LINE	BODY	ENGINE	TRANSMISSION
H = Sport	J = Wrangler 4WD	77 = 93.4 WB	EPE, EP0 = 2.5L Power Tech	DGG, DGD = 32RH 3 Spd. Auto.
L = SE	U = Wrangler 4WD (RHD)		ERH, ER0 = 4.0L Power Tech	DDQ = 5 Spd. Manual
P = Sahara				DDD = 5 Speed HD Manual
				DG0 = Auto. Trans.
				DBB = Manual Trans.

AR = Use as required - = Non illustrated part # = New this model year

September 16, 2005

# Group – ITJ

## Interior Trim

### GROUP ITJ - Interior Trim

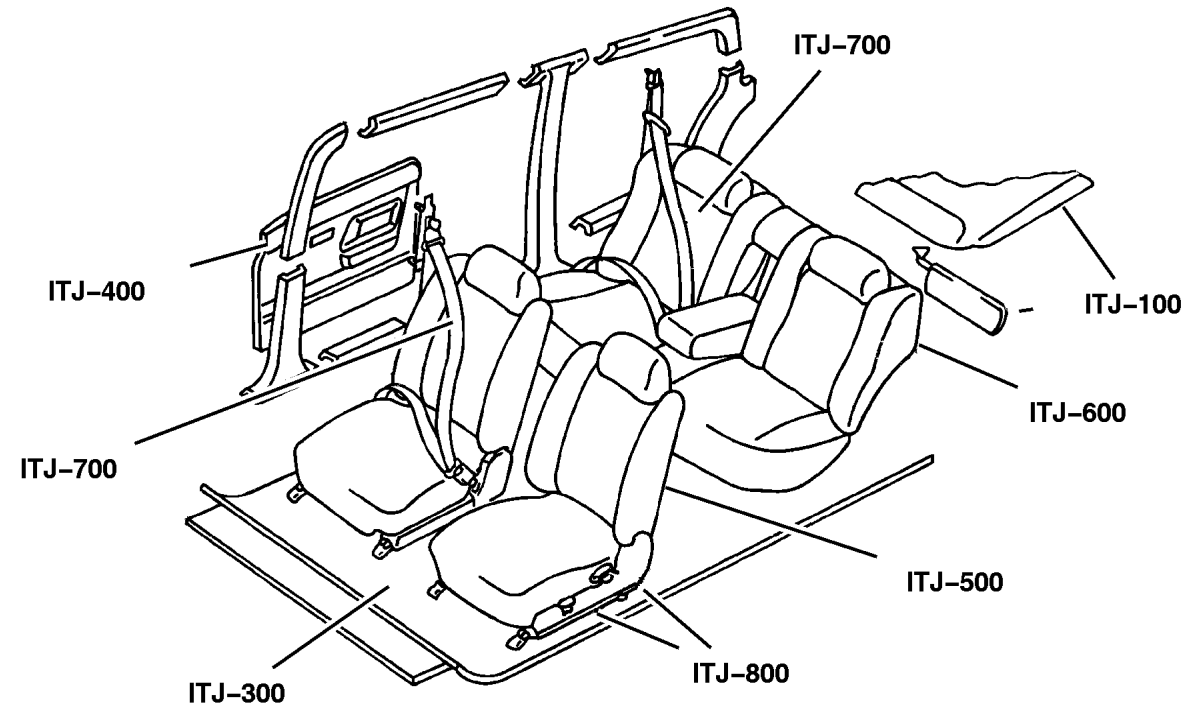


Illustration Title

Group-Fig. No.

#### Headliner and Visor

Sunvisors ..... Fig. ITJ-110

#### Carpet

Carpets And Interior Trim Panels ..... Fig. ITJ-310

#### Door Trim Panels- Front and Rear

Door Trim Panels Half Doors & Full Doors ..... Fig. ITJ-410

#### Front Seats and Attaching Parts

Front Seats ..... Fig. ITJ-510

#### Rear Seats and Attaching Parts

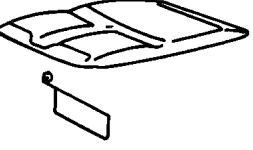
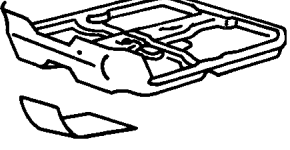
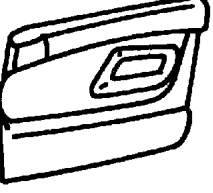

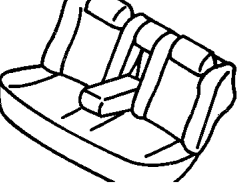
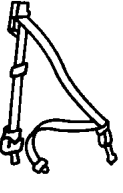
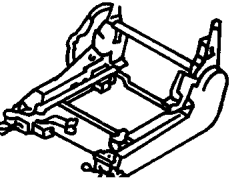
Seat Assemblies, Seat Covers Rear Seat ..... Fig. ITJ-610

#### Seat Belts-Front and Rear

Seat Belts ..... Fig. ITJ-710

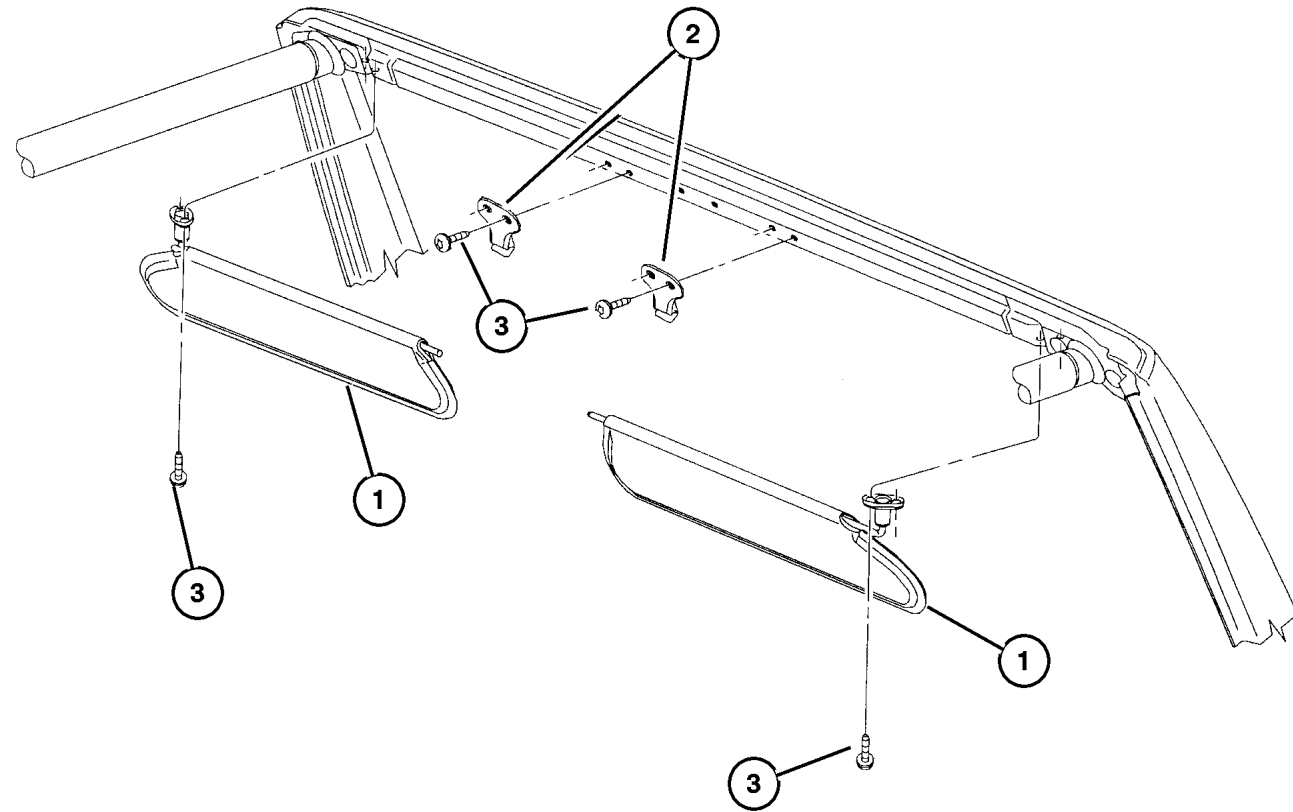
#### Adjusters, Covers, Shields, and Risers

Seat Assemblies, Adjusters, Recliners ..... Fig. ITJ-810

<p><b>ITJ-100</b> Headliner and Visor</p> 	<p><b>ITJ-300</b> Carpet</p> 	<p><b>ITJ-400</b> Door Trim Panels- Front and Rear</p> 	<p><b>ITJ-500</b> Front Seats and Attaching Parts</p> 
<p><b>ITJ-600</b> Rear Seats and Attaching Parts</p> 	<p><b>ITJ-700</b> Seat Belts-Front and Rear</p> 	<p><b>ITJ-800</b> Adjusters, Covers, Shields, and Risers</p> 	



**Sunvisors  
Figure ITJ-110**



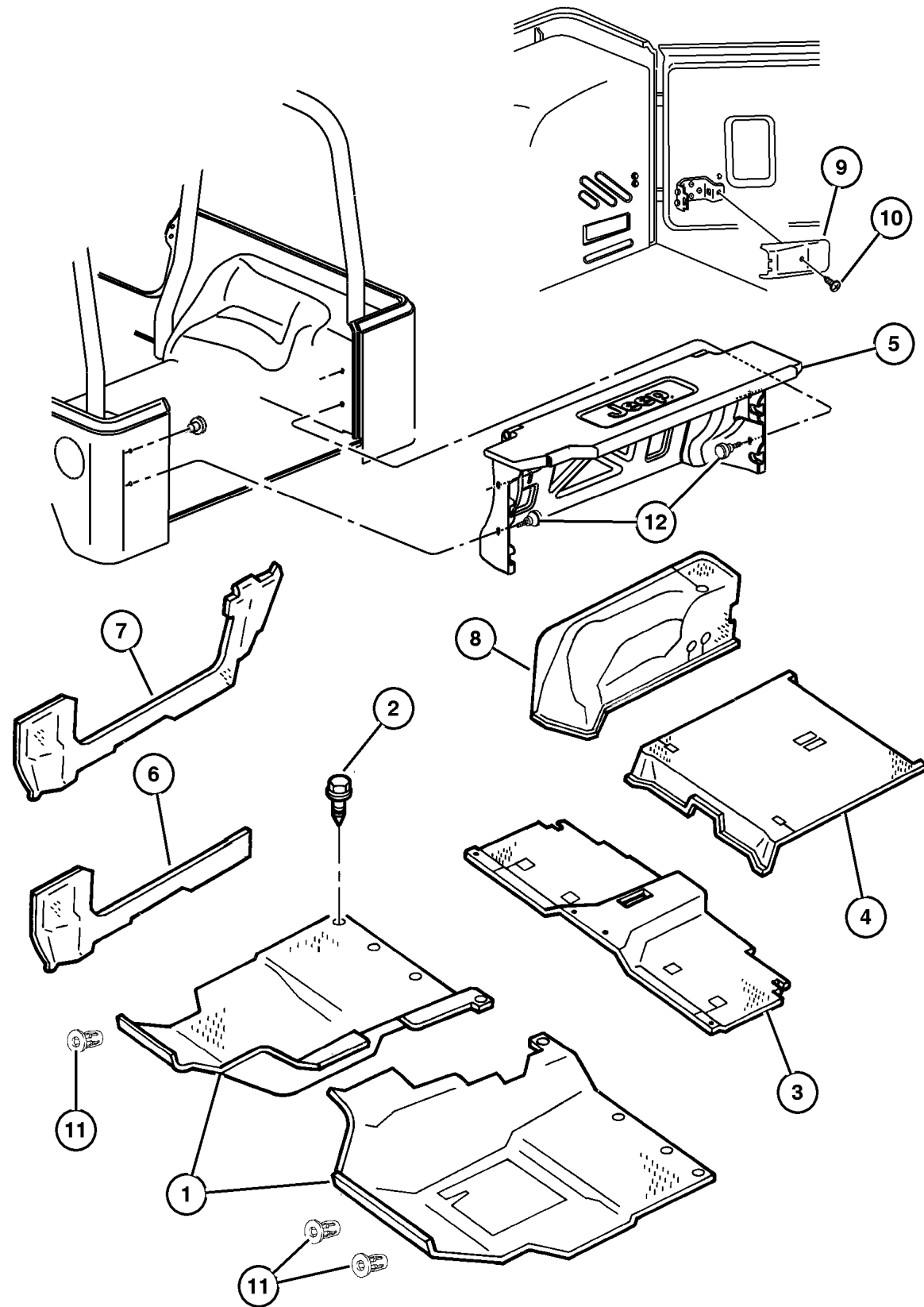
ITEM	PART NUMBER	QTY	LINE	SERIES	BODY	ENGINE	TRANS	TRIM	DESCRIPTION
1									VISOR
	5EP34 LAZAG	1	J					O0	[AZ, K5], Right
	5EP34 RK5AG	1	J					O0	[KG], Right
	5EP35 LAZAG	1	J					O0	[AZ, K5], Left
	5EP35 RK5AG	1	J					O0	[KG], Left
	5FP02 LAZAG	1	U					O0	[AZ, K5], Right
	5FP02 RK5AG	1	U					O0	[KG], Right
	5FP03 LAZAG	1	U					O0	[AZ, K5], Left
	5FP03 RK5AG	1	U					O0	[KG], Left
2	55217 264AB	2							SUPPORT, Visor
3									SCREW, .164-18x.75, (NOT SERVICED) (Not Serviced)

<b>JEEP WRANGLER (TJ)</b>				
SERIES	LINE	BODY	ENGINE	TRANSMISSION
H = Sport	J = Wrangler 4WD	77 = 93.4 WB	EPE, EP0 = 2.5L Power Tech	DGG, DGD = 32RH 3 Spd. Auto.
L = SE	U = Wrangler 4WD (RHD)		ERH, ER0 = 4.0L Power Tech	DDQ = 5 Spd. Manual
P = Sahara				DDD = 5 Speed HD Manual
				DG0 = Auto. Trans.
				DBB = Manual Trans.

AR = Use as required - = Non illustrated part # = New this model year

September 16, 2005

**Carpets And Interior Trim Panels**  
**Figure ITJ-310**



ITEM	PART NUMBER	QTY	LINE	SERIES	BODY	ENGINE	TRANS	TRIM	DESCRIPTION
1									CARPET, Front Floor
	5FV51 LAZAD	1	J					O0	[AZ], Left
	5FV51 VK9AD	1	J					O0	[KG, K5], Left
	5FW15 LAZAD	1	U					O0	[AZ], Left
	5FW15 VK9AD	1	U					O0	[KG, K5], Left
	5FW50 LAZAF	1	J					O0	[AZ], Right
	5FW50 VK9AF	1	J					O0	[KG, K5], Right
	5FW14 LAZAF	1	U					O0	[AZ], Right
	5FW14 VK9AF	1	U					O0	[KG, K5], Right
2	J400 7545	2							SCREW AND WASHER, Snap Head, .164-18x.375
3									CARPET, Rear Floor
	5FV4 9LAZ	1						O0	[AZ], With Mini Console
	5FV4 9VK9	1						O0	[KG, K5], With Mini Console
	5HG24 LAZAA	1						O0	[AZ], With Full Console
	5HG24 VK9AA	1						O0	[KG, K5], With Full Console
4									CARPET, Cargo Floor
	5FW16 LAZAF	1						O0	[AZ]
	5FW16 VK9AF	1						O0	[KG, K5]
5									PANEL, Add A Trunk, With Latches
	5GY84 1AZAB	1						O0	[AZ]
	5GY84 1K5AB	1						O0	[KG, K5]
6									PANEL, Cowl and Scuff
	5HG58 RK5AA	1			P			O0	[KG], After 8/14/00, Right
	5HG59 RK5AA	1			P			O0	[KG], After 8/14/00, Left
7									CARPET, Floor
	5GA74 VK9AB	1						O0	[KG], Up to 8/14/00, Right
	5GA75 VK9AB	1						O0	[KG], Up to 8/14/00, Left
8									CARPET, Wheelhouse
	5FV16 LAZAC	1						O0	[AZ], Right
	5FV16 VK9AC	1						O0	[KG, K5], Right
	5FV17 LAZAD	1						O0	[AZ], Left
	5FV17 VK9AD	1						O0	[KG, K5], Left
9	5521 7099	1							COVER, Contact Button
10									SCREW, .164-18x.625, (NOT SERVICED) (Not Serviced)
11									NUT, Push On
	6503 274	5	U						
		4	J						
12	55352 813AA	4							KNOB
-13									MAT KIT, Floor - Front
	5JA70 1AZAA-	1						O0	[60TH] Anniversary, Front Only

**JEEP WRANGLER (TJ)**

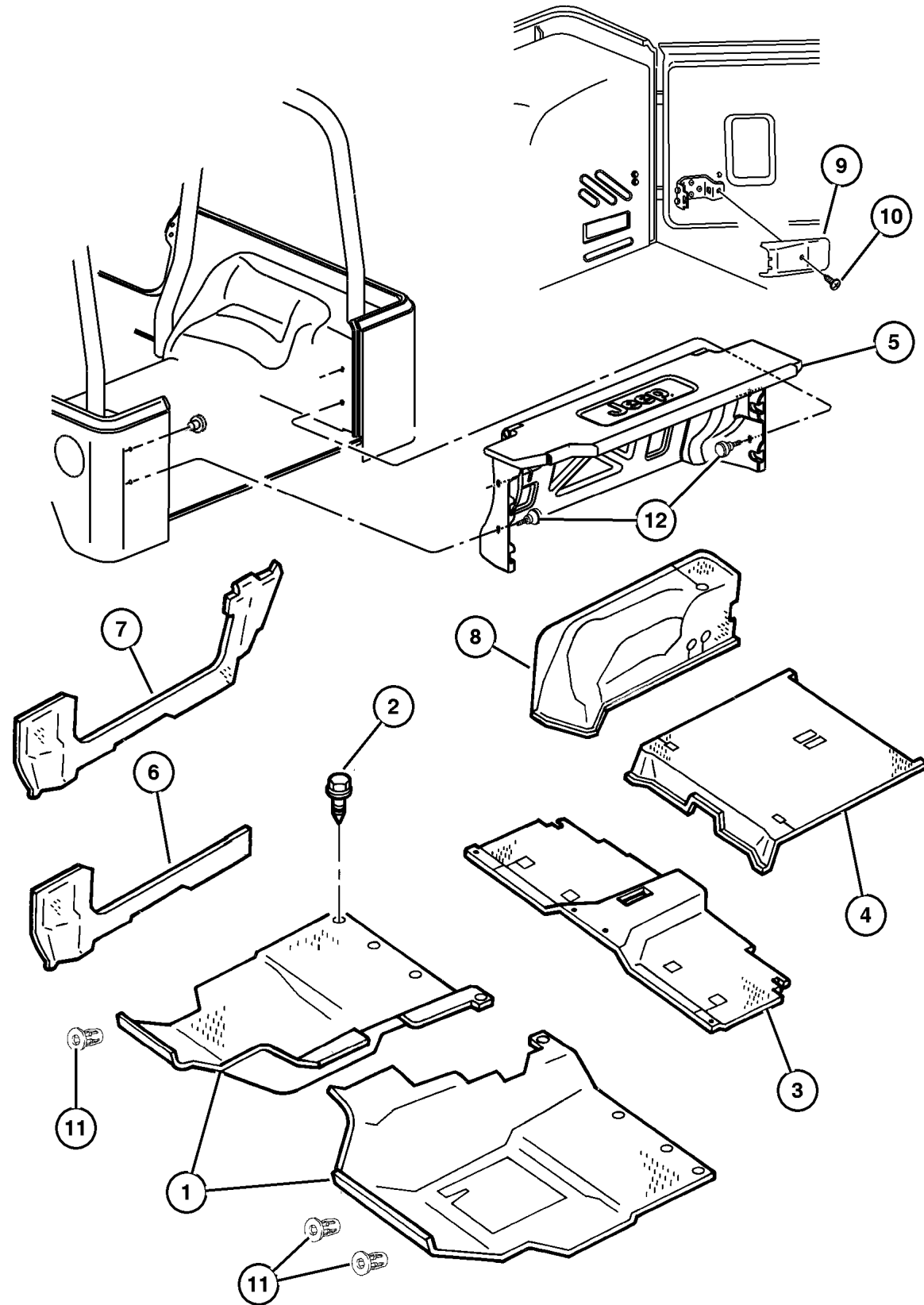
SERIES	LINE	BODY	ENGINE	TRANSMISSION
H = Sport	J = Wrangler 4WD	77 = 93.4 WB	EPE, EP0 = 2.5L Power Tech	DGG, DGD = 32RH 3 Spd. Auto.
L = SE	U = Wrangler 4WD (RHD)		ERH, ER0 = 4.0L Power Tech	DDQ = 5 Spd. Manual
P = Sahara				DDD = 5 Speed HD Manual
				DG0 = Auto. Trans.
				DBB = Manual Trans.

AR = Use as required - = Non illustrated part # = New this model year

September 16, 2005

**Carpets And Interior Trim Panels**  
**Figure ITJ-310**

ITEM	PART NUMBER	QTY	LINE	SERIES	BODY	ENGINE	TRANS	TRIM	DESCRIPTION
	5JD18 LAZAA-	1	U					O0	[AZ], Right Hand Drive
	5JD18 VK9AA-	1	U					O0	[K5, KG], Right Hand Drive



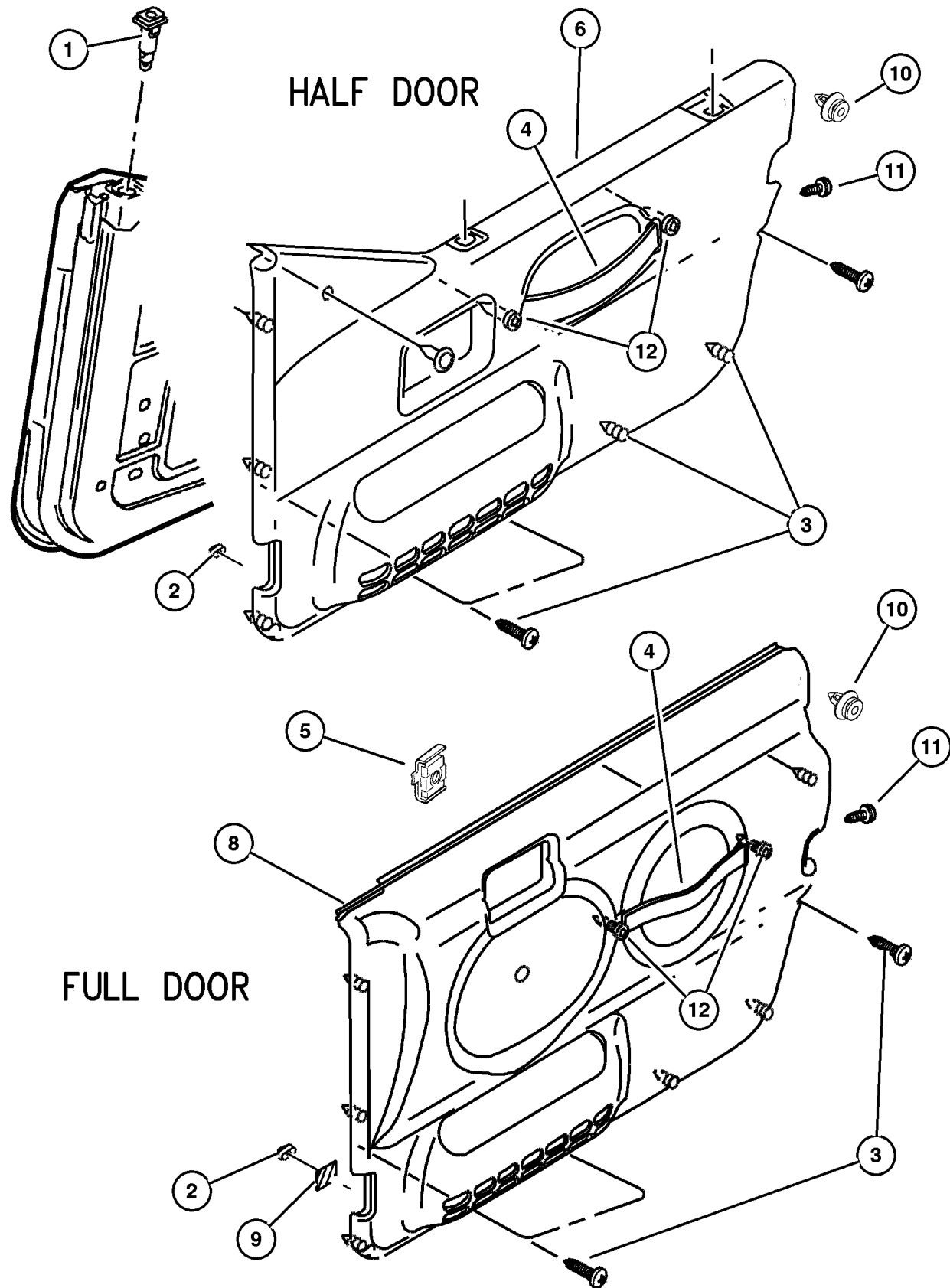
<b>JEEP WRANGLER (TJ)</b>			
SERIES	LINE	BODY	ENGINE
H = Sport	J = Wrangler 4WD	77 = 93.4 WB	EPE, EP0 = 2.5L Power Tech
L = SE	U = Wrangler 4WD (RHD)		ERH, ER0 = 4.0L Power Tech
P = Sahara			
			TRANSMISSION
			DGG, DGD = 32RH 3 Spd. Auto.
			DDQ = 5 Spd. Manual
			DDD = 5 Speed HD Manual
			DG0 = Auto. Trans.
			DBB = Manual Trans.

AR = Use as required - = Non illustrated part # = New this model year

September 16, 2005

**Door Trim Panels Half Doors & Full Doors  
Figure ITJ-410**

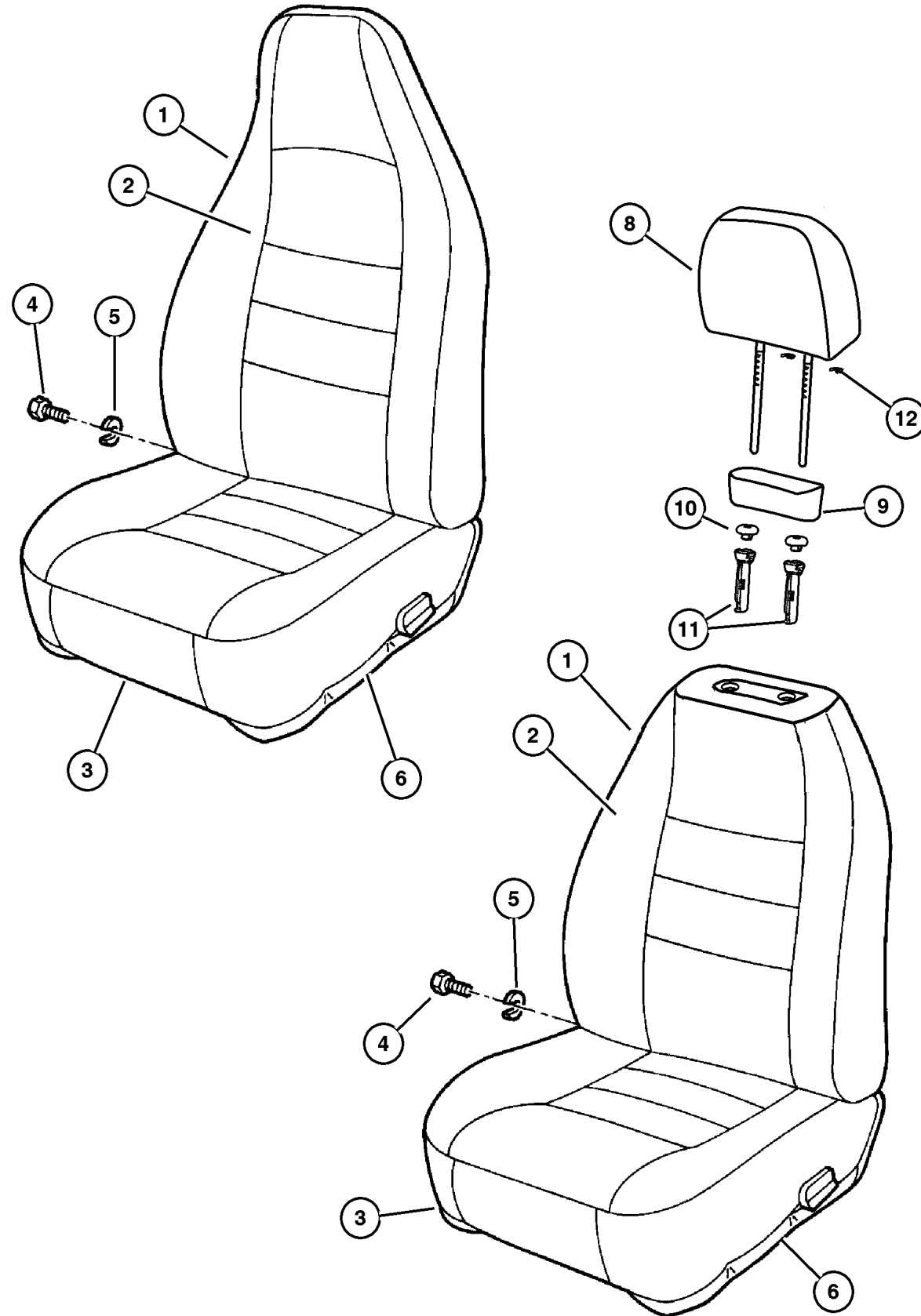
ITEM	PART NUMBER	QTY	LINE	SERIES	BODY	ENGINE	TRANS	TRIM	DESCRIPTION
1									GROMMET, Door Window Stabilizer
	5EJ6 4LAZ	6						O0	[AZ]
	5EJ6 4RK5	6						O0	[KG, K5]
2	3420 1872	4							NUT, Snap In, M4.2 x 1.41
3	6504 617	6							SCREW, M4.2-1.41x13
4	5ES4 3TAZ	1						O0	HANDLE, Door Interior, [AZ, K5, KG]
5	6504 993AA	4							NUT
6									PANEL, Door Trim
	5DY64 1K5AC	1						O0	[KG, K5], Right
	5DY64 LAZAC	1						O0	[AZ], Right
	5DY65 1K5AC	1						O0	[KG, K5], Left
	5DY65 LAZAC	1						O0	[AZ], Left
-7									PIN, Push
	5FP8 4LAZ	4						O0	[AZ]
	5FP8 4RK5	4						O0	[KG, K5]
8									PANEL, Door Trim
	5DY66 1K5AC	1						O0	[KG, K5], Right
	5DY66 LAZAC	1						O0	[AZ], Right
	5DY67 1K5AC	1						O0	[KG, K5], Left
	5DY67 LAZAC	1						O0	[AZ], Left
9	4696 841	4							TAPE, Door Trim Seal
10	6504 014	6						O0	FASTENER, Door Trim Panel
11	6504 617	2						O0	SCREW, M4.2-1.41x13
12	6035 747	2						O0	SCREW, M4.2-1.41x13



**JEEP WRANGLER (TJ)**

SERIES	LINE	BODY	ENGINE	TRANSMISSION
H = Sport	J = Wrangler 4WD	77 = 93.4 WB	EPE, EP0 = 2.5L Power Tech	DGG, DGD = 32RH 3 Spd. Auto.
L = SE	U = Wrangler 4WD (RHD)		ERH, ER0 = 4.0L Power Tech	DDQ = 5 Spd. Manual
P = Sahara				DDD = 5 Speed HD Manual
				DG0 = Auto. Trans.
				DBB = Manual Trans.

Front Seats  
Figure ITJ-510



ITEM	PART NUMBER	QTY	LINE	SERIES	BODY	ENGINE	TRANS	TRIM	DESCRIPTION
1									SEAT BACK, Front
	UJ28 1KGAA	1	J					D7	[KG], Right,Export
		1	U					D7	[KG], Right,Export
	UJ25 1KGAA	1	J					D7	[KG], Left,Export
		1	U					D7	[KG], Left,Export
	UG81 1AZAA	1	J					E6	[AZ], Left
	UG81 1K5AA	1	J					E6	[K5], Left
	UH11 1AZAA	1	J					E6	[AZ], Left,Export
		1	U					E6	[AZ], Left,Export
	UH11 1K5AA	1	U					E6	[K5], Left,Export
		1	J					E6	[K5], Left,Export
	UW20 1K5AA	1	U					E6	[K5], Right,Export
		1	J					E6	[K5], Right,Export
	UW20 1AZAA	1	J					E6	[AZ], Right,Export
		1	U					E6	[AZ], Right,Export
	UG80 1AZAA	1	U					E6	[AZ], Right
		1	J					E6	[AZ], Right
	UG80 1K5AA	1	U					E6	[K5], Right
		1	J					E6	[K5], Right
	UH81 1K5AA	1	U					E7	[K5], Left
		1	J					E7	[K5], Left
	UH80 1AZAA	1	U					E7	[AZ], Right
		1	J					E7	[AZ], Right
	UH80 1K5AA	1	J					E7	[K5], Right
		1	U					E7	[K5], Right
	UH81 1AZAA	1	U					E7	[AZ], Left
		1	J					E7	[AZ], Left
	UW27 1K5AA	1	U					L5	[K5], Left,Export
		1	J					L5	[K5], Left,Export
	UW27 1AZAA	1	J					L5	[AZ], Left,Export
		1	U					L5	[AZ], Left,Export
	UW26 1K5AA	1	J					L5	[K5], Right,Export
		1	U					L5	[K5], Right,Export
	UW26 1AZAA	1	J					L5	[AZ], Right,Export
		1	U					L5	[AZ], Right,Export
	UH56 1AZAA	1						L5	[AZ], Right
	UH56 1K5AA	1						L5	[K5], Right
	UH65 1K5AA	1						L5	[K5], Left
	UH65 1AZAA	1						L5	[AZ], Left
	UW28 1KGAA	1	J					M5	[KG], Right,Export
		1	U					M5	[KG], Right,Export
	UW29 1KGAA	1	J					M5	[KG], Left,Export

JEEP WRANGLER (TJ)

SERIES  
H = Sport  
L = SE  
P = Sahara

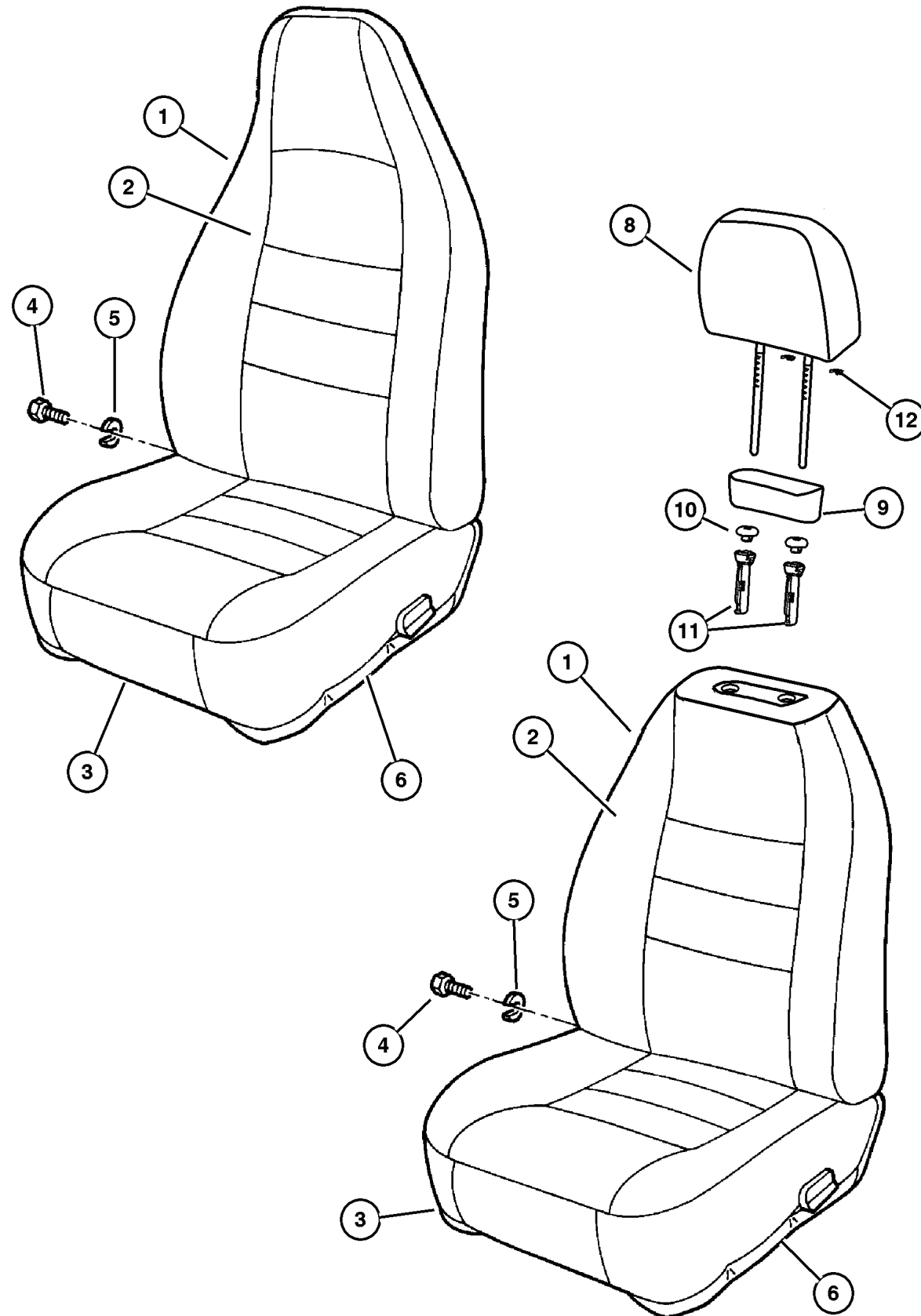
LINE  
J = Wrangler 4WD  
U = Wrangler 4WD (RHD)

BODY  
77 = 93.4 WB

ENGINE  
EPE, EP0 = 2.5L Power Tech  
ERH, ER0 = 4.0L Power Tech

TRANSMISSION  
DGG, DGD = 32RH 3 Spd. Auto.  
DDQ = 5 Spd. Manual  
DDD = 5 Speed HD Manual  
DG0 = Auto. Trans.  
DBB = Manual Trans.

## Front Seats Figure ITJ-510



ITEM	PART NUMBER	QTY	LINE	SERIES	BODY	ENGINE	TRANS	TRIM	DESCRIPTION
		1	U					M5	[KG], Left,Export
	UP50 1KGAA	1						M5	[KG], Right
	UP51 1KGAA	1						M5	[KG], Left
	UH92 1AZAA	1	U					Y7	[AZ], Right,Export
		1	J					Y7	[AZ], Right,Export
	UH92 1K5AA	1	J					Y7	[K5], Right,Export
		1	U					Y7	[K5], Right,Export
	UH93 1AZAA	1	J					Y7	[AZ], Left,Export
		1	U					Y7	[AZ], Left,Export
	UH93 1K5AA	1	J					Y7	[K5], Left,Export
		1	U					Y7	[K5], Left,Export
2	UJ27 1KGAA	1	J					D7	COVER, Front Seat Back [KG], Left,Export
		1	U					D7	[KG], Left,Export
	UJ26 1KGAA	1	U					D7	[KG], Right,Export
		1	J					D7	[KG], Right,Export
	UG84 1AZAA	1	U					E6	[AZ], Right
		1	J					E6	[AZ], Right
	UG84 1K5AA	1	J					E6	[K5], Right
		1	U					E6	[K5], Right
	UG85 1AZAA	1	J					E6	[AZ], Left
	UG85 1K5AA	1	J					E6	[K5], Left
	UH53 1AZAA	1	U					E6	[AZ], Left,Export
		1	J					E6	[AZ], Left,Export
	UH53 1K5AA	1	J					E6	[K5], Left,Export
		1	U					E6	[K5], Left,Export
	UJ34 1AZAA	1	J					E7	[AZ], Right
		1	U					E7	[AZ], Right
	UJ34 1K5AA	1	U					E7	[K5], Right
		1	J					E7	[K5], Right
	UJ35 1AZAA	1	J					E7	[AZ], Left
		1	U					E7	[AZ], Left
	UJ35 1K5AA	1	U					E7	[K5], Left
		1	J					E7	[K5], Left
	UH61 1K5AA	1						L5	[K5], Left
	UH61 1AZAA	1						L5	[AZ], Left
	UH60 1AZAA	1						L5	[AZ], Right
	UH60 1K5AA	1						L5	[K5], Right
	SG81 1KGAA	1						M5	[KG], Left
	SG80 1KGAA	1						M5	[KG], Right
	UH90 1K5AA	1	U					Y7	[K5], Right,Export
		1	J					Y7	[K5], Right,Export

### JEEP WRANGLER (TJ)

SERIES  
H = Sport  
L = SE  
P = Sahara

LINE  
J = Wrangler 4WD  
U = Wrangler 4WD (RHD)

BODY  
77 = 93.4 WB

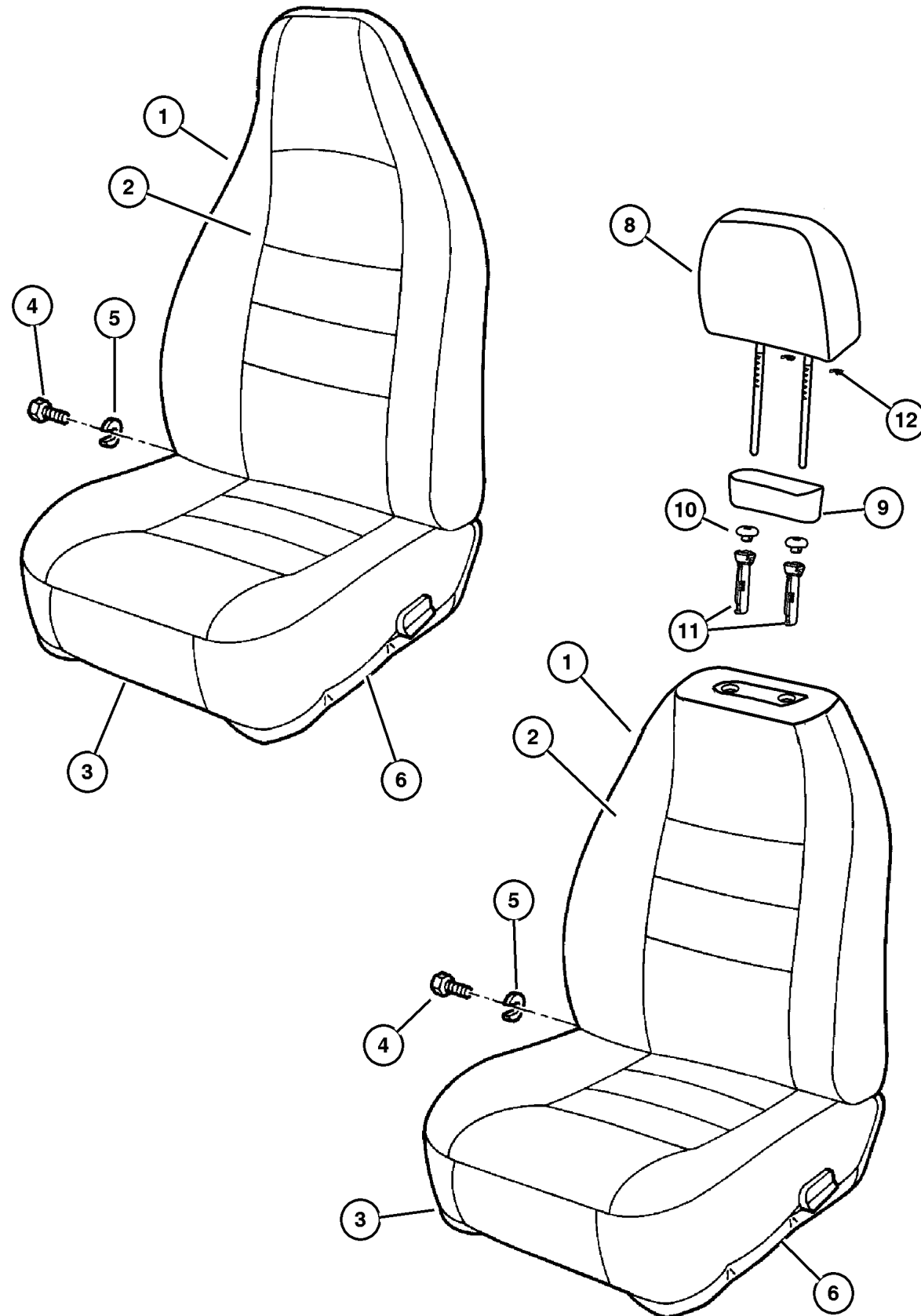
ENGINE  
EPE, EP0 = 2.5L Power Tech  
ERH, ER0 = 4.0L Power Tech

TRANSMISSION  
DGG, DGD = 32RH 3 Spd. Auto.  
DDQ = 5 Spd. Manual  
DDD = 5 Speed HD Manual  
DG0 = Auto. Trans.  
DBB = Manual Trans.

AR = Use as required - = Non illustrated part # = New this model year

September 16, 2005

## Front Seats Figure ITJ-510



ITEM	PART NUMBER	QTY	LINE	SERIES	BODY	ENGINE	TRANS	TRIM	DESCRIPTION
	UH91 1AZAA	1	U					Y7	[AZ], Left,Export
		1	J					Y7	[AZ], Left,Export
	UH91 1K5AA	1	U					Y7	[K5], Left,Export
		1	J					Y7	[K5], Left,Export
	UH90 1AZAA	1	J					Y7	[AZ], Right,Export
		1	U					Y7	[AZ], Right,Export
3									COVER AND PAD, Cushion
	PY52 1KG	1	U					D7	[KG], Right
		1	J					D7	[KG], Right
	PY53 1KG	1	U					D7	[KG], Left
		1	J					D7	[KG], Left
	UG83 1K5AA	1	U					E6	[K5], Left
		1	J					E6	[K5], Left
	UG83 1AZAA	1	U					E6	[AZ], Left
		1	J					E6	[AZ], Left
	UG82 1K5AA	1	U					E6	[K5], Right
		1	J					E6	[K5], Right
	UG82 1AZAA	1	J					E6	[AZ], Right
		1	U					E6	[AZ], Right
	UH55 1K5AA	1	U					E7	[K5], Left
		1	J					E7	[K5], Left
	UH55 1AZAA	1	U					E7	[AZ], Left
		1	J					E7	[AZ], Left
	UH54 1K5AA	1	J					E7	[K5], Right
		1	U					E7	[K5], Right
	UH54 1AZAA	1	U					E7	[AZ], Right
		1	J					E7	[AZ], Right
	UH55 1K5AA	1						L5	[K5], Left
	UH55 1AZAA	1						L5	[AZ], Left
	UH54 1AZAA	1						L5	[AZ], Right
	UH54 1K5AA	1						L5	[K5], Right
	PY53 1KG	1						M5	[KG], Left
	PY52 1KG	1						M5	[KG], Right
	UG82 1AZAA	1	U					Y7	[AZ], Right,Export
	UG82 1K5AA	1	U					Y7	[K5], Right,Export
	UG82 1AZAA	1	J					Y7	[AZ], Right
	UG82 1K5AA	1	J					Y7	[K5], Right
	UG83 1K5AA	1	J					Y7	[K5], Left
		1	U					Y7	[K5], Left,Export
	UG83 1AZAA	1	U					Y7	[AZ], Left,Export
		1	J					Y7	[AZ], Left
4									BOLT, Shoulder, I.B.-Back To Cushion-Pivot

### JEEP WRANGLER (TJ)

SERIES  
H = Sport  
L = SE  
P = Sahara

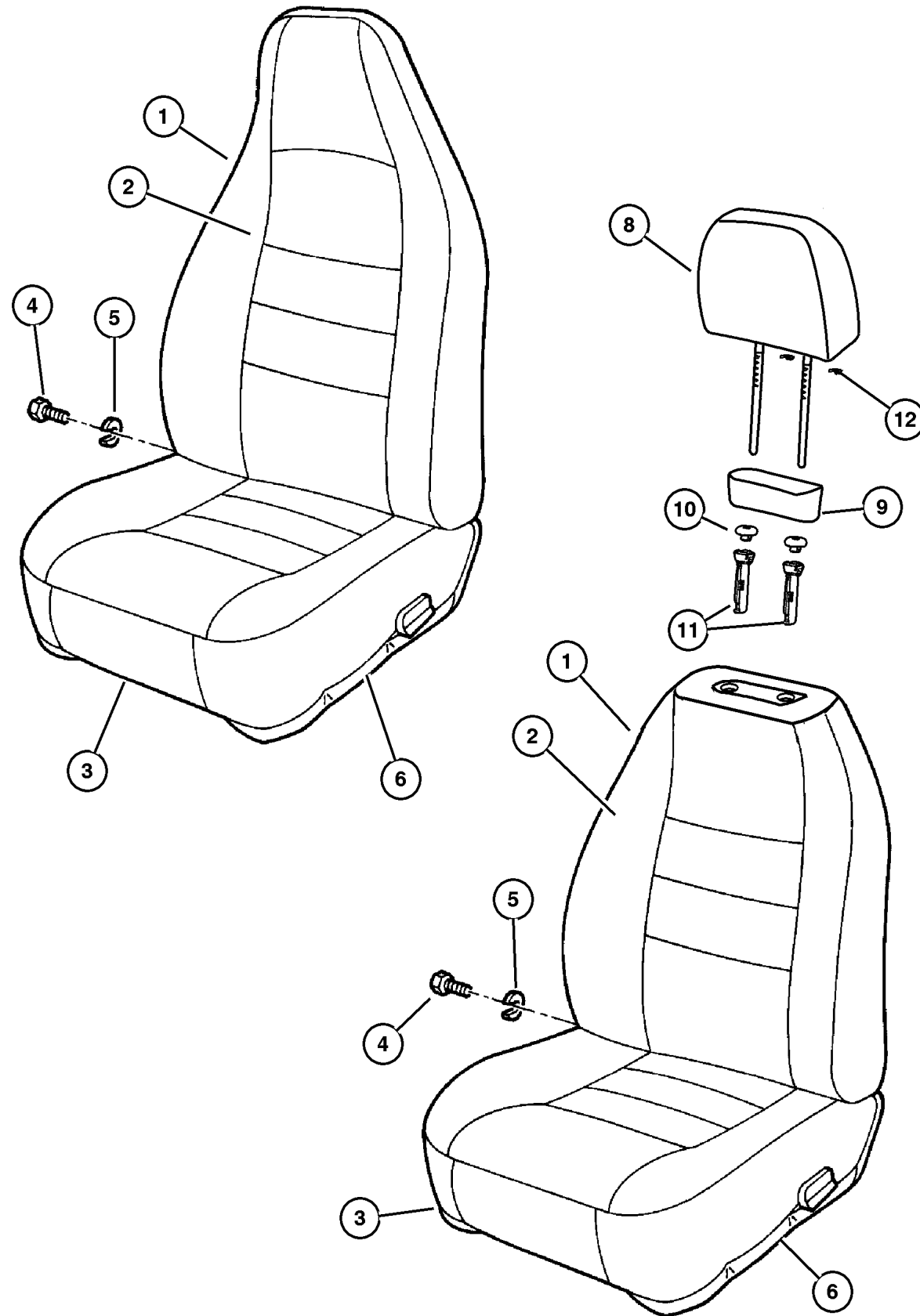
LINE  
J = Wrangler 4WD  
U = Wrangler 4WD (RHD)

BODY  
77 = 93.4 WB

ENGINE  
EPE, EP0 = 2.5L Power Tech  
ERH, ER0 = 4.0L Power Tech

TRANSMISSION  
DGG, DGD = 32RH 3 Spd. Auto.  
DDQ = 5 Spd. Manual  
DDD = 5 Speed HD Manual  
DG0 = Auto. Trans.  
DBB = Manual Trans.

Front Seats  
Figure ITJ-510



ITEM	PART NUMBER	QTY	LINE	SERIES	BODY	ENGINE	TRANS	TRIM	DESCRIPTION
	5016 212AA	2	U					D7	
		2	J					D7	
		2	U					E6	
		2	J					E6	
		2	U					E7	
		2	J					E7	
		2						L5	
		1						M5	
		2	J					Y7	
		2	U					Y7	
5									U-NUT, Seat Back
	4874 145	1	U					D7	With Easy Entry
		1	J					D7	With Easy Entry
	4713 982	3	U					D7	Without Easy Entry
		3	J					D7	Without Easy Entry
	4874 145	1	J					E6	With Easy Entry
		1	U					E6	With Easy Entry
	4713 982	1	J					E6	Without Easy Entry
		3	U					E6	Without Easy Entry
	4874 145	1	U					E7	With Easy Entry
		1	J					E7	With Easy Entry
	4713 982	3	U					E7	Without Easy Entry
		3	J					E7	Without Easy Entry
		3						L5	Without Easy Entry
	4874 145	1						L5	With Easy Entry
	4713 982	1						M5	Without Easy Entry
	4874 145	1						M5	With Easy Entry
		1	U					Y7	With Easy Entry
	4713 982	3	J					Y7	Without Easy Entry
	4874 145	1	J					Y7	With Easy Entry
	4713 982	3	U					Y7	Without Easy Entry
6									FRAME, Front Seat
	5012 161AA	1	U					D7	Left
		1	J					D7	Left
	5012 160AA	1	U					D7	Right
		1	J					D7	Right
	5012 161AA	1	U					E6	Left
		1	J					E6	Left
	5012 160AA	1	U					E6	Right
		1	J					E6	Right
	5012 161AA	1	U					E7	Left
		1	J					E7	Left

JEEP WRANGLER (TJ)

SERIES  
H = Sport  
L = SE  
P = Sahara

LINE  
J = Wrangler 4WD  
U = Wrangler 4WD (RHD)

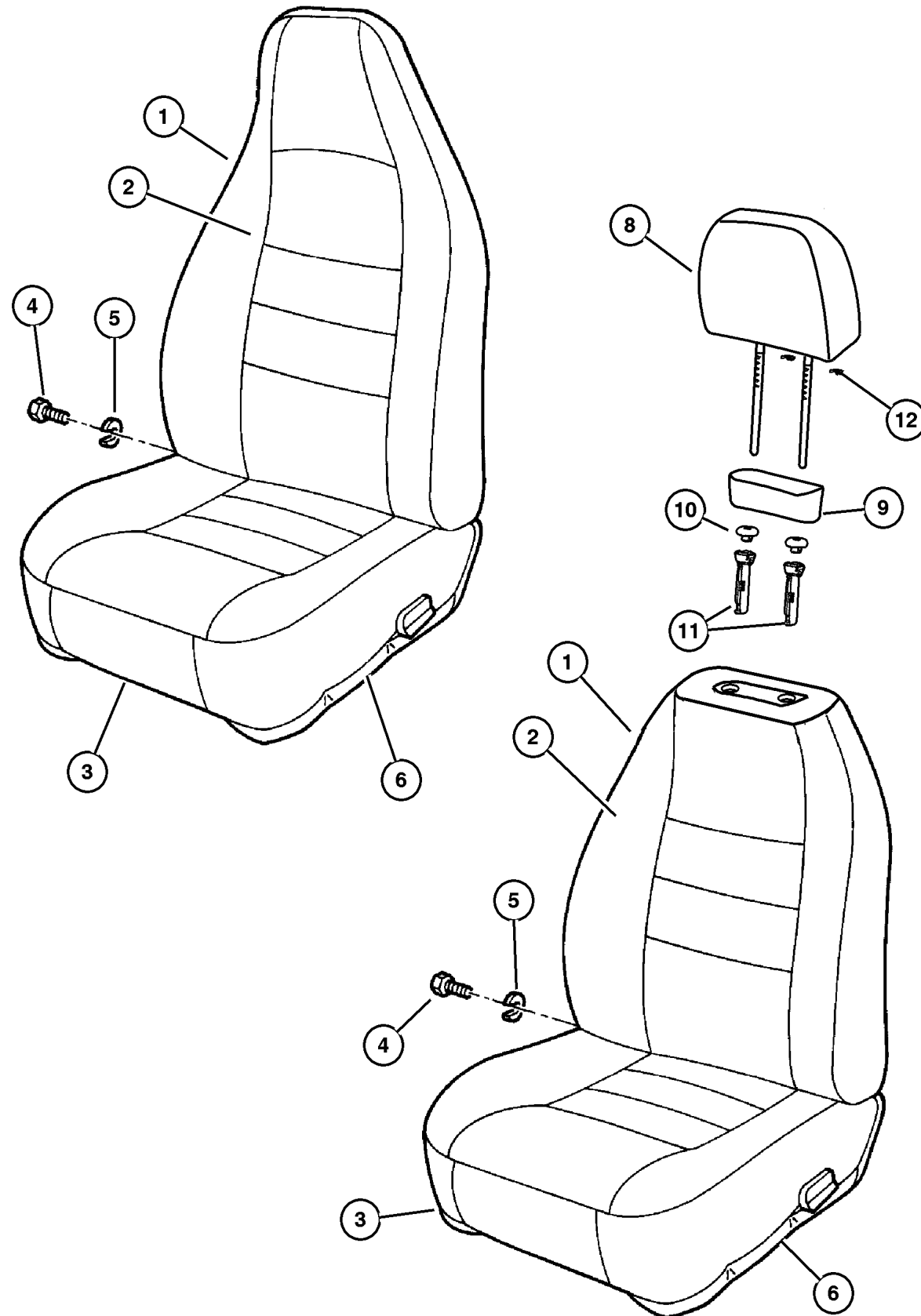
BODY  
77 = 93.4 WB

ENGINE  
EPE, EP0 = 2.5L Power Tech  
ERH, ER0 = 4.0L Power Tech

TRANSMISSION  
DGG, DGD = 32RH 3 Spd. Auto.  
DDQ = 5 Spd. Manual  
DDD = 5 Speed HD Manual  
DG0 = Auto. Trans.  
DBB = Manual Trans.



## Front Seats Figure ITJ-510



ITEM	PART NUMBER	QTY	LINE	SERIES	BODY	ENGINE	TRANS	TRIM	DESCRIPTION
	5012 160AA	1	J					E7	Right
		1	U					E7	Right
		1						L5	Right
	5012 161AA	1						L5	Left
		1						M5	Left
	5012 160AA	1						M5	Right
		1	U					Y7	Right
	5012 161AA	1	U					Y7	Left
		1	J					Y7	Left
	5012 160AA	1	J					Y7	Right
-7	6502 137	2							BOLT, Hex Flange Head, M10x1.50x35
8									HEADREST, Front
	UJ24 1KGAA	2	U					D7	[KG]
		2	J					D7	[KG]
	UJ29 1K5AA	2	U					E7	[K5]
		2	J					E7	[K5]
	UJ29 1AZAA	2	U					E7	[AZ]
		2	J					E7	[AZ]
	UH94 1K5AA	2	U					Y7	[K5]
		2	J					Y7	[K5]
	UH94 1AZAA	2	J					Y7	[AZ]
		2	U					Y7	[AZ]
9									COVER, Seat
	UJ23 1K5AA	2	U					D7	[KG]
		2	J					D7	[KG]
	UJ23 1AZAA	2	J					E7	[AZ]
		2	U					E7	[AZ]
	UJ23 1K5AA	2	U					E7	[K5]
		2	J					E7	[K5]
		2	U					Y7	[K5]
	UJ23 1AZAA	2	J					Y7	[AZ]
		2	U					Y7	[AZ]
	UJ23 1K5AA	2	J					Y7	[K5]
10									COVER, Headrest Sleeve
	5013 163AA	4	U					D7	
		4	J					D7	
		4	U					E7	
		4	J					E7	
		4	J					Y7	
		4	U					Y7	
11									CYLINDER, Headrest

### JEEP WRANGLER (TJ)

SERIES  
H = Sport  
L = SE  
P = Sahara

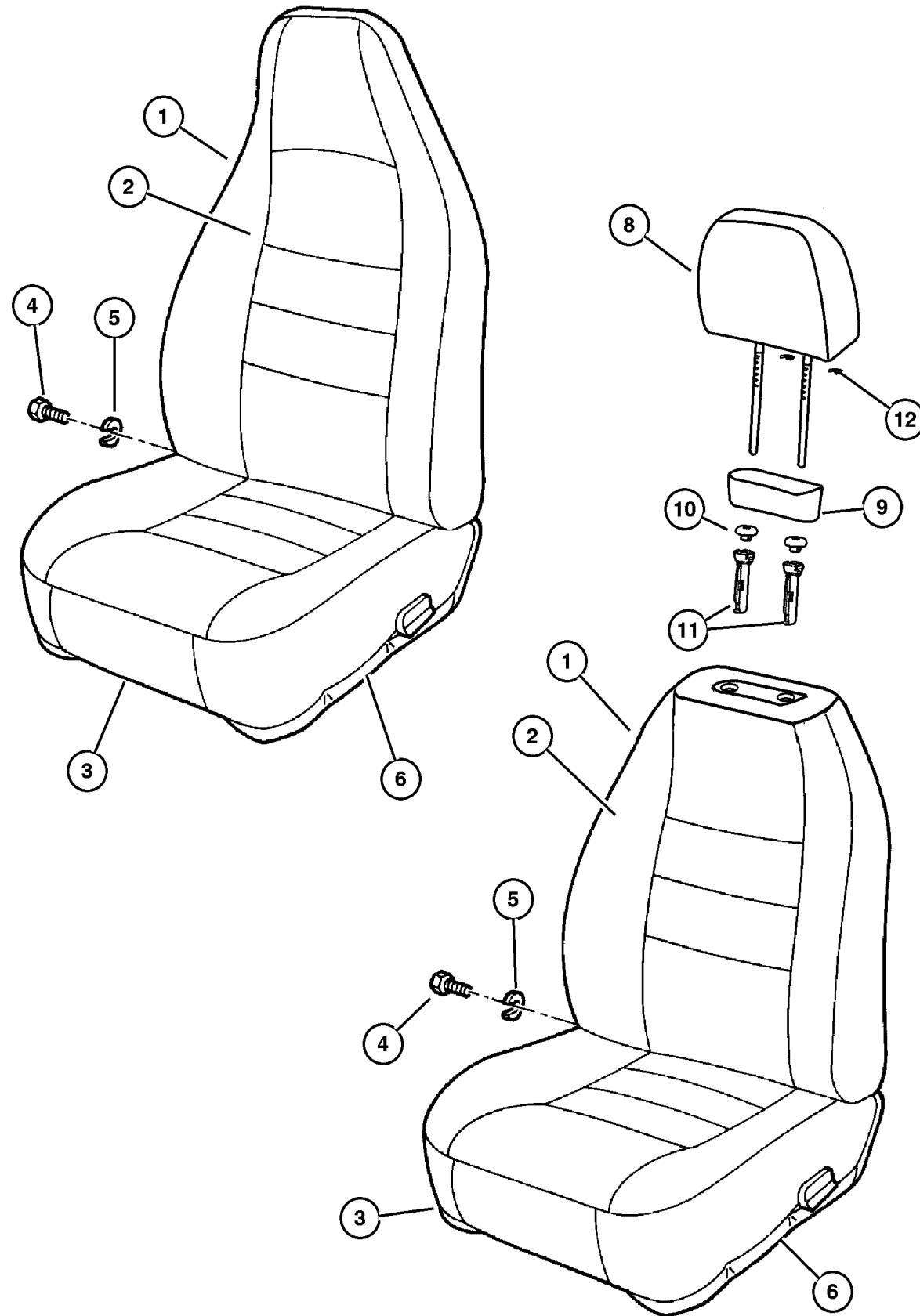
LINE  
J = Wrangler 4WD  
U = Wrangler 4WD (RHD)

BODY  
77 = 93.4 WB

ENGINE  
EPE, EP0 = 2.5L Power Tech  
ERH, ER0 = 4.0L Power Tech

TRANSMISSION  
DGG, DGD = 32RH 3 Spd. Auto.  
DDQ = 5 Spd. Manual  
DDD = 5 Speed HD Manual  
DG0 = Auto. Trans.  
DBB = Manual Trans.

## Front Seats Figure ITJ-510



ITEM	PART NUMBER	QTY	LINE	SERIES	BODY	ENGINE	TRANS	TRIM	DESCRIPTION
	5013 152AA	4	U					D7	
		4	J					D7	
		4	U					E7	
		4	J					E7	
		4	J					Y7	
		4	U					Y7	
12	5019 285AA	4	U					D7	CLIP, Retainer
		4	J					D7	
		4	J					E7	
		4	U					E7	
		4	U					Y7	
		4	J					Y7	

### JEEP WRANGLER (TJ)

SERIES  
H = Sport  
L = SE  
P = Sahara

LINE  
J = Wrangler 4WD  
U = Wrangler 4WD (RHD)

BODY  
77 = 93.4 WB

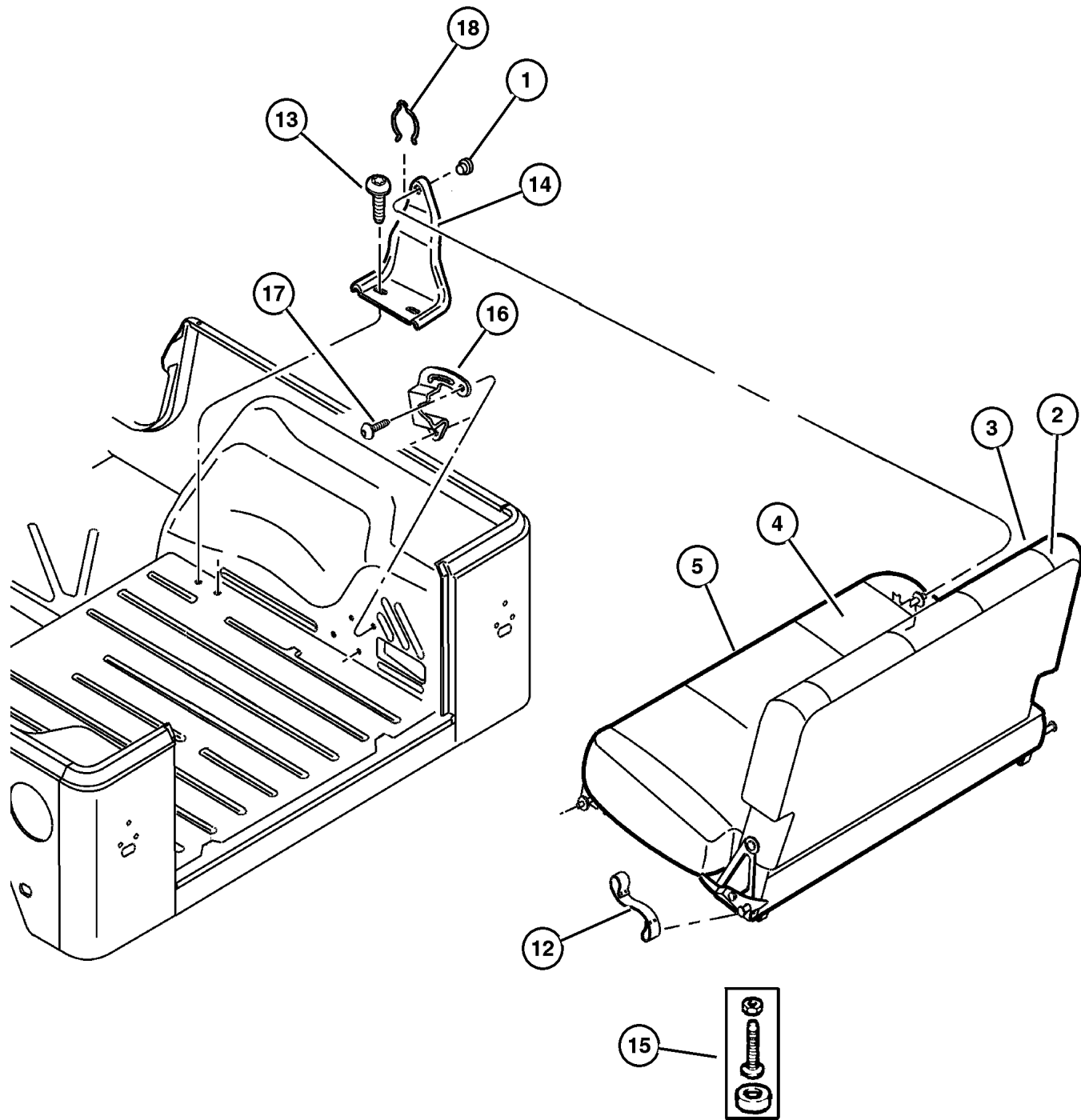
ENGINE  
EPE, EP0 = 2.5L Power Tech  
ERH, ER0 = 4.0L Power Tech

TRANSMISSION  
DGG, DGD = 32RH 3 Spd. Auto.  
DDQ = 5 Spd. Manual  
DDD = 5 Speed HD Manual  
DG0 = Auto. Trans.  
DBB = Manual Trans.

AR = Use as required - = Non illustrated part # = New this model year

September 16, 2005

**Seat Assemblies, Seat Covers Rear Seat  
Figure ITJ-610**



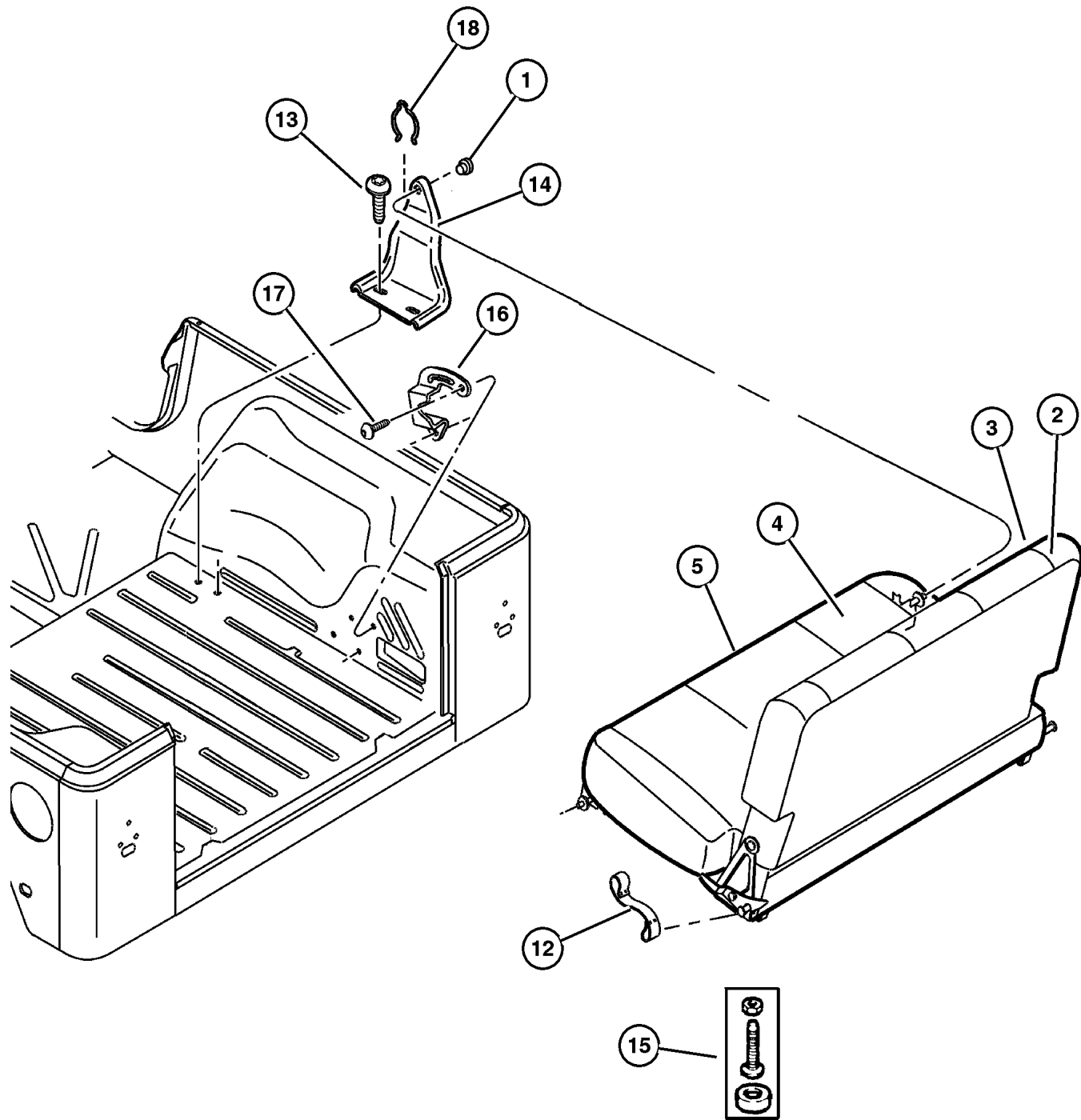
ITEM	PART NUMBER	QTY	LINE	SERIES	BODY	ENGINE	TRANS	TRIM	DESCRIPTION
1	5103 469AA	1							BUSHING, Pivot
2	PY70 1KG	1	U					D7	COVER, Rear Seat Back
		1	J					D7	[KG], Up to 5/8/01
	WW34 1KGAA	1	J					D7	[KG], After 5/8/01
		1	U					D7	[KG], After 5/8/01
	UH02 1K5AA	1	U					E6	[K5], Up to 5/8/01
		1	J					E6	[K5], Up to 5/8/01
	UH02 1AZAA	1	J					E6	[AZ], Up to 5/8/01
		1	U					E6	[AZ], Up to 5/8/01
	WV86 1K5AA	1	U					E6	[K5], After 5/8/01
		1	J					E6	[K5], After 5/8/01
	WV86 1AZAA	1	U					E6	[AZ], After 5/8/01
		1	J					E6	[AZ], After 5/8/01
	UH57 1AZAA	1	U					E7	[AZ], Up to 5/8/01
		1	J					E7	[AZ], Up to 5/8/01
	UH57 1K5AA	1	U					E7	[K5], Up to 5/8/01
		1	J					E7	[K5], Up to 5/8/01
	WW26 1K5AA	1	U					E7	[K5], After 5/8/01
		1	J					E7	[K5], After 5/8/01
	WW26 1AZAA	1	U					E7	[AZ], After 5/8/01
		1	J					E7	[AZ], After 5/8/01
	UH57 1K5AA	1						L5	[K5], Up to 5/8/01
	UH57 1AZAA	1						L5	[AZ], Up to 5/8/01
	WW26 1K5AA	1						L5	[K5], After 5/8/01
	WW26 1AZAA	1						L5	[AZ], After 5/8/01
	WW34 1KGAA	1						M5	[KG], After 5/8/01
	PY70 1KG	1						M5	[KG], Up to 5/8/01
	UH02 1K5AA	1	J					Y7	[K5]
	UH02 1AZAA	1	U					Y7	[AZ]
		1	J					Y7	[AZ]
	UH02 1K5AA	1	U					Y7	[K5]
3	PY43 1KG	1	U					D7	SEAT BACK, Rear
		1	J					D7	[KG], Up to 5/8/01
	WW35 1KGAA	1	J					D7	[KG], After 5/8/01
		1	U					D7	[KG], After 5/8/01
	UG97 1K5AA	1	U					E6	[K5], Up to 5/8/01
		1	J					E6	[K5], Up to 5/8/01
	WV81 1K5AA	1	U					E6	[K5], After 5/8/01
		1	J					E6	[K5], After 5/8/01

**JEEP WRANGLER (TJ)**  
 SERIES H = Sport L = SE P = Sahara  
 LINE J = Wrangler 4WD U = Wrangler 4WD (RHD)  
 BODY 77 = 93.4 WB  
 ENGINE EPE, EP0 = 2.5L Power Tech ERH, ER0 = 4.0L Power Tech  
 TRANSMISSION DGG, DGD = 32RH 3 Spd. Auto. DDQ = 5 Spd. Manual DDD = 5 Speed HD Manual DG0 = Auto. Trans. DBB = Manual Trans.

AR = Use as required - = Non illustrated part # = New this model year

September 16, 2005

## Seat Assemblies, Seat Covers Rear Seat Figure ITJ-610



ITEM	PART NUMBER	QTY	LINE	SERIES	BODY	ENGINE	TRANS	TRIM	DESCRIPTION
	WV81 1AZAA	1	U					E6	[AZ], After 5/8/01
		1	J					E6	[AZ], After 5/8/01
	UG97 1AZAA	1	U					E6	[AZ], Up to 5/8/01
		1	J					E6	[AZ], Up to 5/8/01
	WV89 1K5AA	1	U					E7	[K5], After 5/8/01
		1	J					E7	[K5], After 5/8/01
	WV89 1AZAA	1	U					E7	[AZ], After 5/8/01
		1	J					E7	[AZ], After 5/8/01
	UH52 1AZAA	1	U					E7	[AZ], Up to 5/8/01
		1	J					E7	[AZ], Up to 5/8/01
	UH52 1K5AA	1	U					E7	[K5], Up to 5/8/01
		1	J					E7	[K5], Up to 5/8/01
		1	J					E7	[K5], Up to 5/8/01
		1	J					L5	[K5], Up to 5/8/01
	UH52 1AZAA	1						L5	[AZ], Up to 5/8/01
	WV89 1K5AA	1						L5	[K5], After 5/8/01
	WV89 1AZAA	1						L5	[AZ], After 5/8/01
	WW35 1KGAA	1						M5	[KG], Up to 5/8/01
	PY43 1KG	1						M5	[KG], After 5/8/01
	UG97 1K5AA	1	J					Y7	[K5]
	UG97 1AZAA	1	U					Y7	[AZ]
		1	J					Y7	[AZ]
4	UG97 1K5AA	1	U					Y7	[K5]
									COVER, Rear Seat Cushion
	RH46 1KGAA	1	J					D7	[KG]
		1	U					D7	[KG]
	UH04 1AZAA	1	J					E6	[AZ]
		1	U					E6	[AZ]
	UH04 1K5AA	1	U					E6	[K5]
		1	J					E6	[K5]
	UH58 1AZAA	1	U					E7	[AZ]
		1	J					E7	[AZ]
	UH58 1K5AA	1	U					E7	[K5]
		1	J					E7	[K5]
	UH58 1AZAA	1						L5	[AZ]
	UH58 1K5AA	1						L5	[K5]
	RH46 1KGAA	1						M5	[KG]
	UH04 1AZAA	1	U					Y7	[AZ]
		1	J					Y7	[AZ]
	UH04 1K5AA	1	U					Y7	[K5]
		1	J					Y7	[K5]
5									CUSHION, Rear Seat
	RH11 1KGAA	1	J					D7	[KG]

### JEEP WRANGLER (TJ)

SERIES  
H = Sport  
L = SE  
P = Sahara

LINE  
J = Wrangler 4WD  
U = Wrangler 4WD (RHD)

BODY  
77 = 93.4 WB

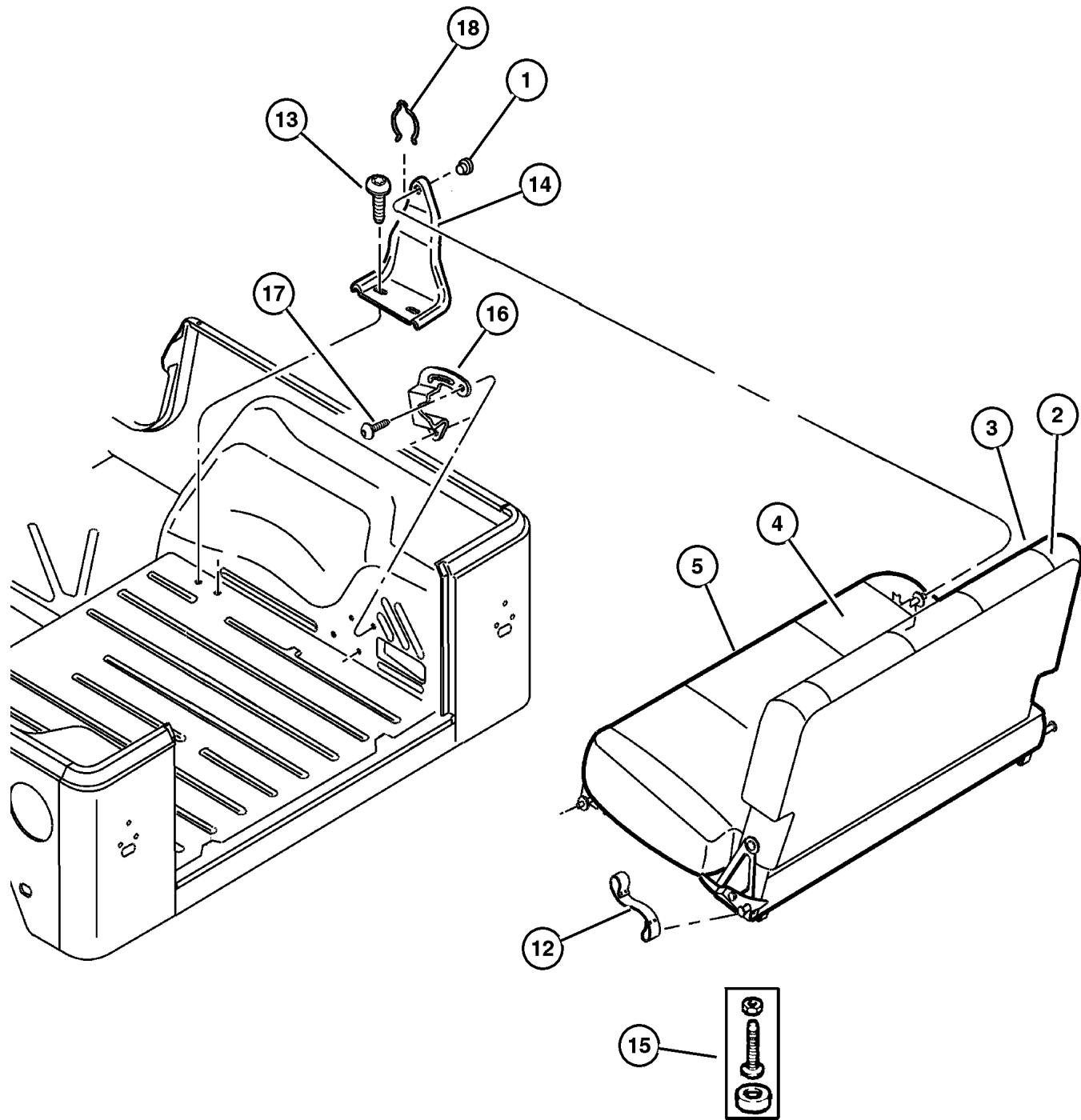
ENGINE  
EPE, EP0 = 2.5L Power Tech  
ERH, ER0 = 4.0L Power Tech

TRANSMISSION  
DGG, DGD = 32RH 3 Spd. Auto.  
DDQ = 5 Spd. Manual  
DDD = 5 Speed HD Manual  
DG0 = Auto. Trans.  
DBB = Manual Trans.

AR = Use as required - = Non illustrated part # = New this model year

September 16, 2005

## Seat Assemblies, Seat Covers Rear Seat Figure ITJ-610



ITEM	PART NUMBER	QTY	LINE	SERIES	BODY	ENGINE	TRANS	TRIM	DESCRIPTION
		1	U					D7	[KG]
	UH03 1K5AA	1	U					E6	[K5]
		1	J					E6	[K5]
	UH03 1AZAA	1	U					E6	[AZ]
		1	J					E6	[AZ]
	UH59 1K5AA	1	U					E7	[K5]
		1	J					E7	[K5]
	UH59 1AZAA	1	U					E7	[AZ]
		1	J					E7	[AZ]
	UH59 1K5AA	1						L5	[K5]
	UH59 1AZAA	1						L5	[AZ]
	TP37 1KGAA	1						M5	[KG]
	UH03 1K5AA	1	J					Y7	[K5]
	UH03 1AZAA	1	J					Y7	[AZ]
		1	U					Y7	[AZ]
	UH03 1K5AA	1	U					Y7	[K5]
-6									LEVER, Rear Seat Release
	4713 794	1	U					D7	
		1	J					D7	
		1	U					E6	
		1	J					E6	
		1	J					E7	
		1	U					E7	
		1						L5	
		1						M5	
		1	U					Y7	
		1	J					Y7	
-7									RIVNUT, Seat Latch Cover, (NOT SERVICED) (Not Serviced)
-8									SPRING, Seat Release Lever
	4713 795	1	J					D7	
		1	U					D7	
		1	J					E6	
		1	U					E6	
		1	U					E7	
		1	J					E7	
		1						L5	
		1						M5	
		1	U					Y7	
		1	J					Y7	
-9									WASHER, Rear Seat Pivot, Black Nylon

### JEEP WRANGLER (TJ)

SERIES  
H = Sport  
L = SE  
P = Sahara

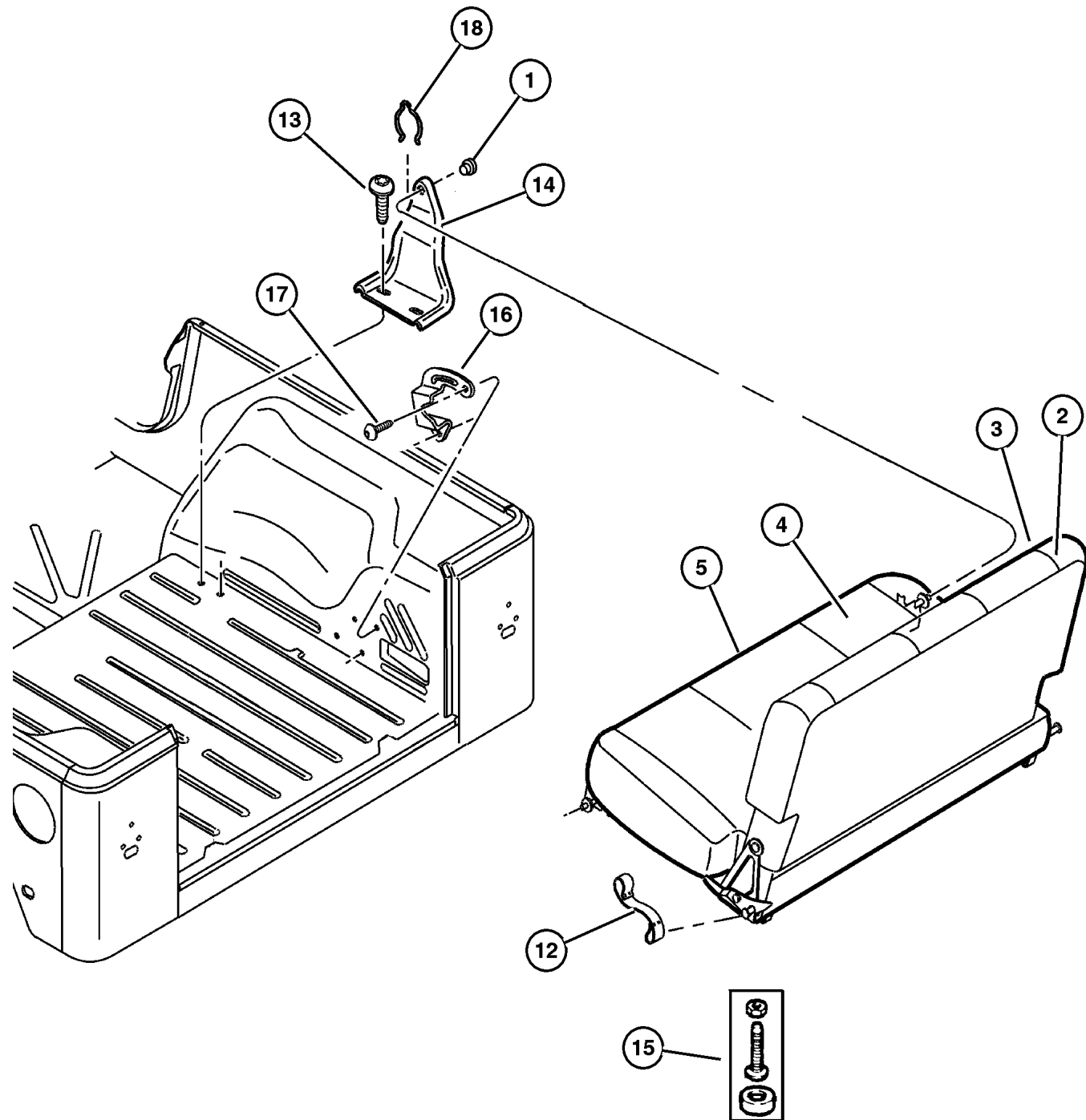
LINE  
J = Wrangler 4WD  
U = Wrangler 4WD (RHD)

BODY  
77 = 93.4 WB

ENGINE  
EPE, EP0 = 2.5L Power Tech  
ERH, ER0 = 4.0L Power Tech

TRANSMISSION  
DGG, DGD = 32RH 3 Spd. Auto.  
DDQ = 5 Spd. Manual  
DDD = 5 Speed HD Manual  
DG0 = Auto. Trans.  
DBB = Manual Trans.

## Seat Assemblies, Seat Covers Rear Seat Figure ITJ-610



ITEM	PART NUMBER	QTY	LINE	SERIES	BODY	ENGINE	TRANS	TRIM	DESCRIPTION
	4713 799	2	U					D7	
		2	J					D7	
		2	U					E6	
		2	J					E6	
		2	J					E7	
		2	U					E7	
		2						L5	
		1						M5	
		2	U					Y7	
		2	J					Y7	
-10									BOLT, Shoulder
	4638 585	3	U					D7	
		3	J					D7	
		3	U					E6	
		3	J					E6	
		3	J					E7	
		3	U					E7	
		3						L5	
		1						M5	
		3	U					Y7	
		3	J					Y7	
-11									U-NUT, Seat Back, Used with Bolt 4638585
	4713 982	3	U					D7	
		3	J					D7	
		3	U					E6	
		3	J					E6	
		3	J					E7	
		3	U					E7	
		3						L5	
	4874 145	1						M5	
	4713 982	3	J					Y7	
		3	U					Y7	
12	5519 6450	1							STRAP, Retaining
13	6500 664	4							SCREW AND WASHER, Hex Head, M8x1.25x35
14									BRACKET, Rear Seat Pivot
	55217 130AB	1							Right
	55217 131AB	1							Left
15									BUMPER, Seat, Cushion Base
	5016 606AA	2	U					D7	
		2	J					D7	

### JEEP WRANGLER (TJ)

SERIES  
H = Sport  
L = SE  
P = Sahara

LINE  
J = Wrangler 4WD  
U = Wrangler 4WD (RHD)

BODY  
77 = 93.4 WB

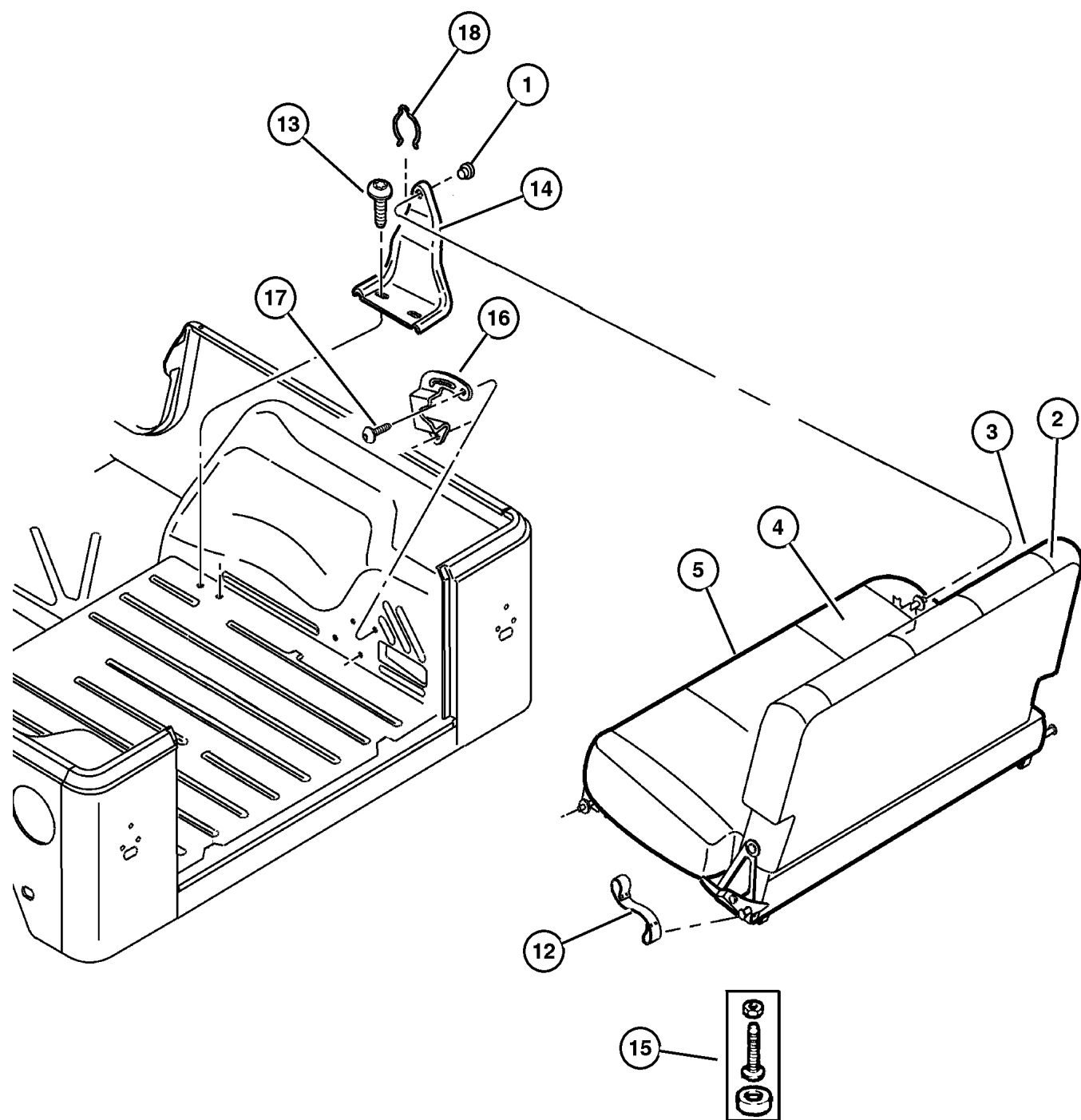
ENGINE  
EPE, EP0 = 2.5L Power Tech  
ERH, ER0 = 4.0L Power Tech

TRANSMISSION  
DGG, DGD = 32RH 3 Spd. Auto.  
DDQ = 5 Spd. Manual  
DDD = 5 Speed HD Manual  
DG0 = Auto. Trans.  
DBB = Manual Trans.

AR = Use as required - = Non illustrated part # = New this model year

September 16, 2005

## Seat Assemblies, Seat Covers Rear Seat Figure ITJ-610



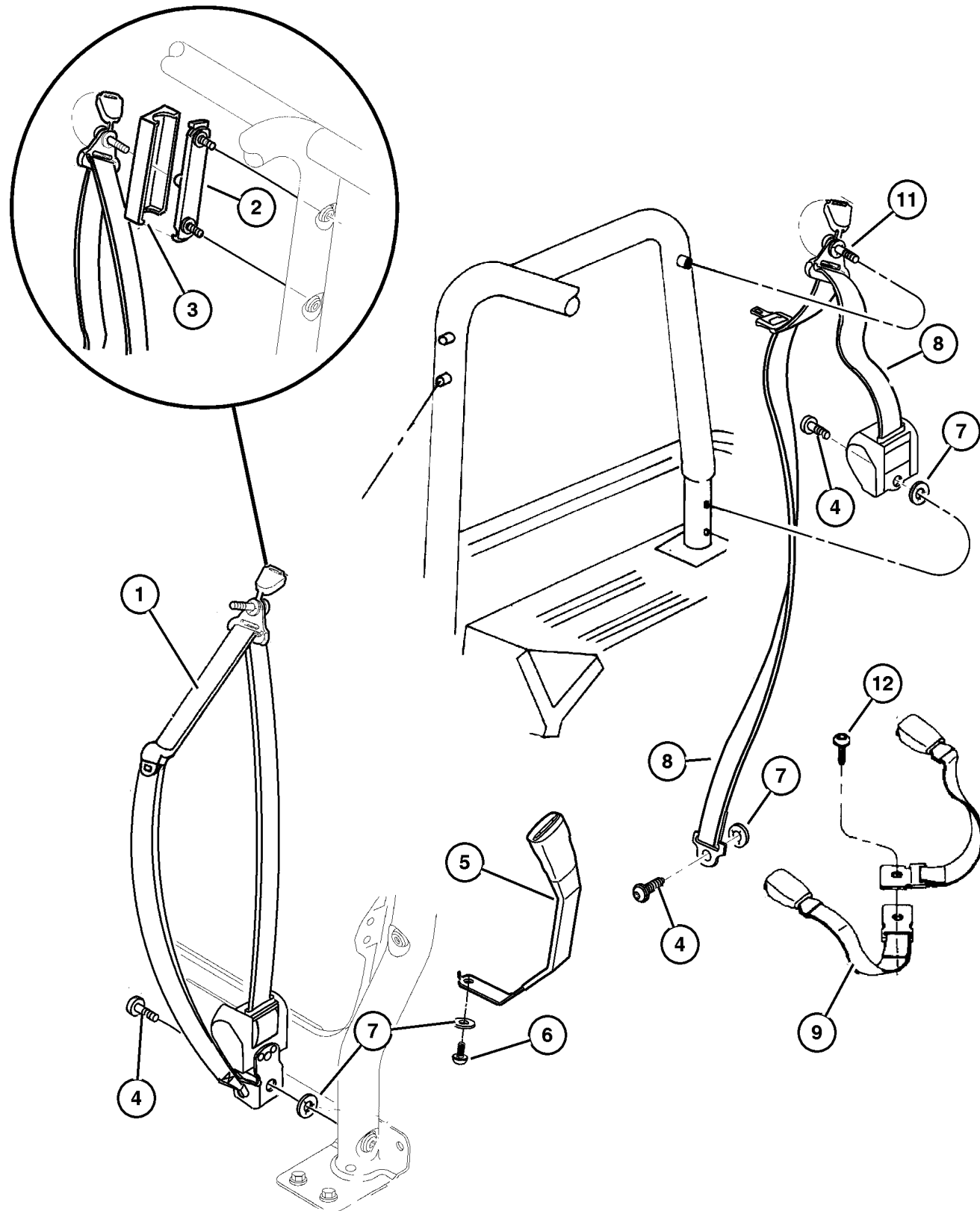
ITEM	PART NUMBER	QTY	LINE	SERIES	BODY	ENGINE	TRANS	TRIM	DESCRIPTION
		2	U					E6	
		2	J					E6	
		2	U					E7	
		2	J					E7	
		2						L5	
		2						M5	
		2	J					Y7	
		2	U					Y7	
16									BRACKET, Seat Latch
	55217 128AB	1							Right
	55217 129AB	1							Left
17	6034 564	4							SCREW, Pan Head, .312-18x1
18	6506 459AA	2							PIN, Rear Seat

<b>JEEP WRANGLER (TJ)</b>				
SERIES	LINE	BODY	ENGINE	TRANSMISSION
H = Sport	J = Wrangler 4WD	77 = 93.4 WB	EPE, EP0 = 2.5L Power Tech	DGG, DGD = 32RH 3 Spd. Auto.
L = SE	U = Wrangler 4WD (RHD)		ERH, ER0 = 4.0L Power Tech	DDQ = 5 Spd. Manual
P = Sahara				DDD = 5 Speed HD Manual
				DG0 = Auto. Trans.
				DBB = Manual Trans.

AR = Use as required - = Non illustrated part # = New this model year

September 16, 2005

Seat Belts  
Figure ITJ-710



ITEM	PART NUMBER	QTY	LINE	SERIES	BODY	ENGINE	TRANS	TRIM	DESCRIPTION
1									SEAT BELT, Front Outer
	5EV70 LAZAG	1	J					O0	Right
	5EV71 LAZAG	1	J					O0	Up to 10/25/00, Left
	5EV72 LAZAF	1						O0	Right,Export
	5EV73 LAZAF	1						O0	Left,Export
	5HN73 LAZAA	1	J					O0	After 10/25/00, Left
2	55217 173AC	2							ADJUSTER, Seat Belt Turning Loop
3	5EZ7 0TAZ	2						O0	COVER, Turning Loop
4	6036 187AA	2							SCREW, Pan Head
5									SEAT BELT, Buckle Half
	5FU0 6LAZ	1	J					D7	Inboard,Right
	5FV3 4LAZ	1	U					D7	Inboard,Right
	5FU0 8LAZ	1	J					D7	Inboard,Left
		1	U					D7	Inboard,Left
	5FV3 4LAZ	1	U					E6	Inboard,Right
	5FU0 6LAZ	1	J					E6	Inboard,Right
	5FU0 8LAZ	1	U					E6	Inboard,Left
	5FU0 7LAZ	1	J					E6	Inboard,Left
	5FV3 4LAZ	1	U					E7	Inboard,Right
	5FU0 6LAZ	1	J					E7	Inboard,Right
	5FU0 8LAZ	1	J					E7	Inboard,Left
		1	U					E7	Inboard,Left
	5FU0 7LAZ	1						L5	Inboard,Left
	5FU0 6LAZ	1						L5	Inboard,Right
		1	J					L5	Inboard,Right,Export
	5FU0 8LAZ	1	J					L5	Inboard,Left,Export
	5FV3 4LAZ	1	U					L5	Inboard,Right,Export
	5FU0 8LAZ	1	U					L5	Inboard,Left,Export
	5FU0 6LAZ	1						M5	Inboard,Right
	5FU0 7LAZ	1						M5	Inboard,Left
	5FU0 8LAZ	1	J					M5	Inboard,Left,Export
	5FU0 6LAZ	1	J					M5	Inboard,Right,Export
	5FU0 8LAZ	1	U					M5	Inboard,Left,Export
	5FV3 4LAZ	1	U					M5	Inboard,Right,Export
	5FU0 8LAZ	1	J					Y7	Inboard,Left,Export
	5FU0 6LAZ	1	J					Y7	Inboard,Right,Export
	5FV3 4LAZ	1	U					Y7	Inboard,Right,Export
	5FU0 8LAZ	1	U					Y7	Inboard,Left,Export
6									SCREW, Button Head, .375-24x.62, Front Traveling Inboard Buckle Mounting
	6035 115	2	J					D7	

JEEP WRANGLER (TJ)

SERIES  
H = Sport  
L = SE  
P = Sahara

LINE  
J = Wrangler 4WD  
U = Wrangler 4WD (RHD)

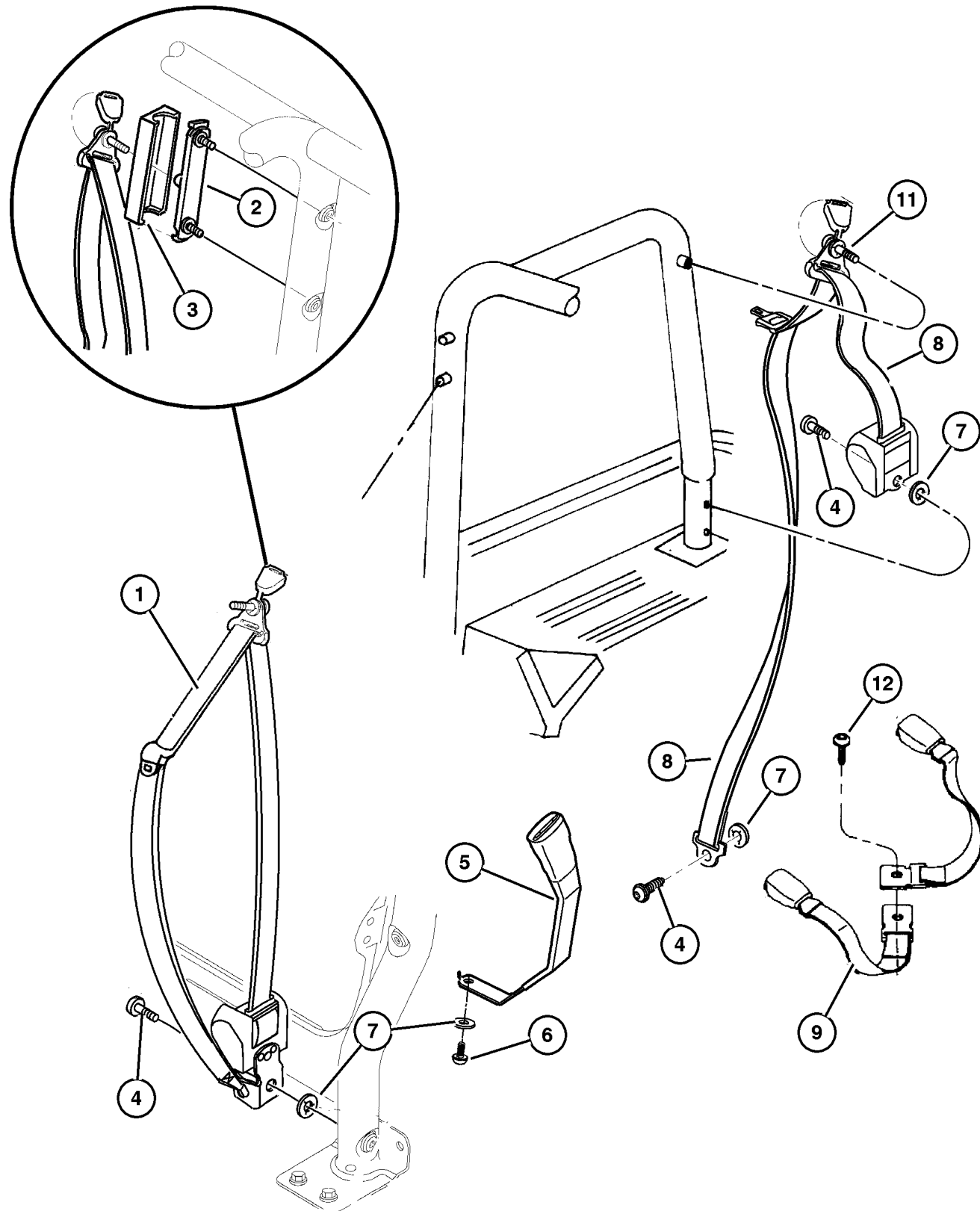
BODY  
77 = 93.4 WB

ENGINE  
EPE, EP0 = 2.5L Power Tech  
ERH, ER0 = 4.0L Power Tech

TRANSMISSION  
DGG, DGD = 32RH 3 Spd. Auto.  
DDQ = 5 Spd. Manual  
DDD = 5 Speed HD Manual  
DG0 = Auto. Trans.  
DBB = Manual Trans.



## Seat Belts Figure ITJ-710



ITEM	PART NUMBER	QTY	LINE	SERIES	BODY	ENGINE	TRANS	TRIM	DESCRIPTION
		2	U					D7	
		2	J					E6	
		2	U					E6	
		2	J					E7	
		2	U					E7	
		2						L5	
		2						M5	
		2	U					Y7	
		2	J					Y7	
7									WASHER, Seat Belt Attaching
	4798 898	4	U					D7	
		4	J					D7	
		4	U					E6	
		4	J					E6	
		4	U					E7	
		4	J					E7	
		4						L5	
		1						M5	
		4	U					Y7	
		4	J					Y7	
8									SEAT BELT, Rear Outer
	5EV62 LAZAF	2	J					O0	
	5EV66 LAZAE	2						O0	Export
9	5FX94 LAZAA	1						O0	SEAT BELT, Buckle Half
-10	4740 415	1							EXTENDER, Seat Belt
11	6036 294AA	2						O0	BOLT, Shoulder
12	6036 295AA	1							SCREW, Pan Head

### JEEP WRANGLER (TJ)

SERIES  
H = Sport  
L = SE  
P = Sahara

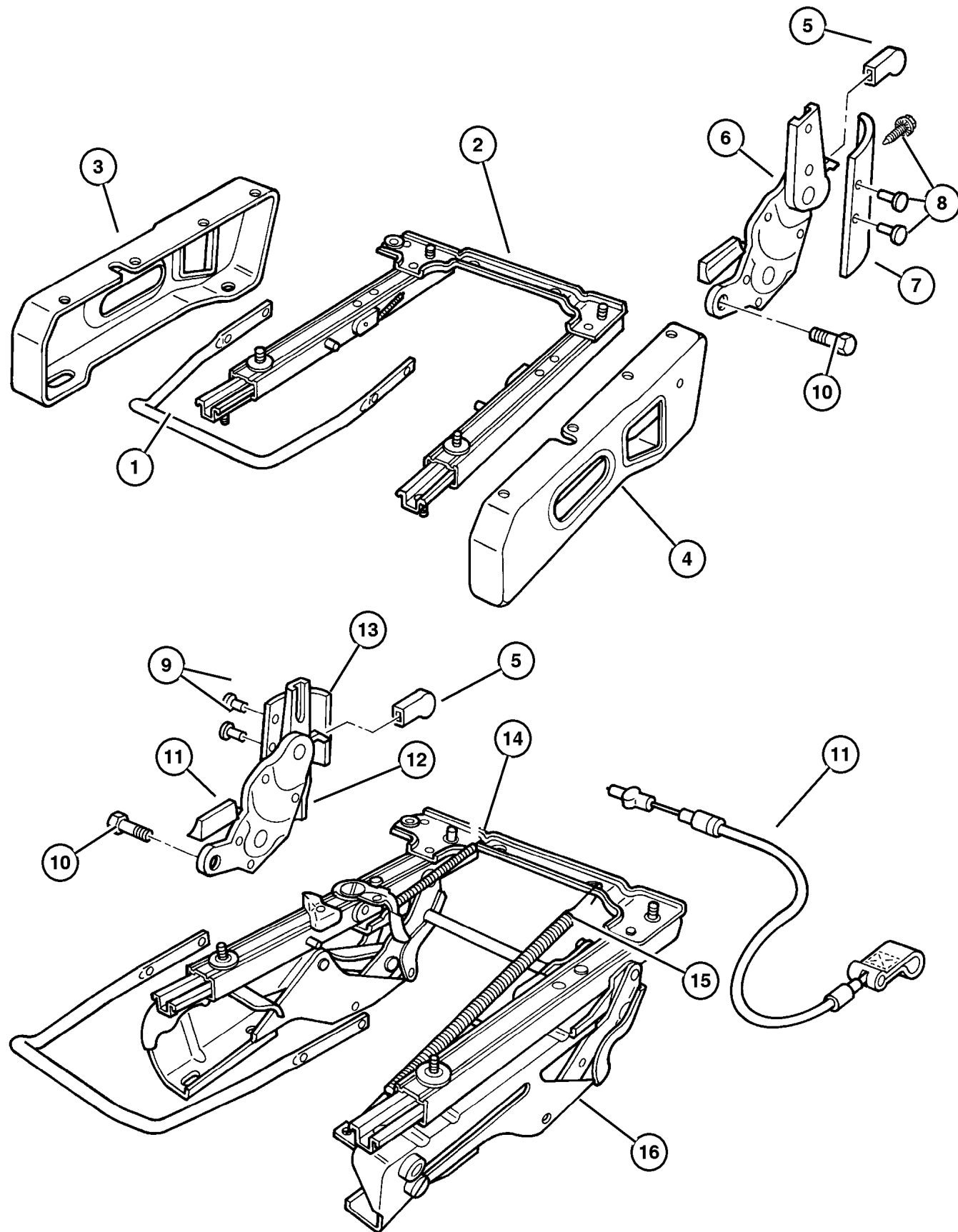
LINE  
J = Wrangler 4WD  
U = Wrangler 4WD (RHD)

BODY  
77 = 93.4 WB

ENGINE  
EPE, EP0 = 2.5L Power Tech  
ERH, ER0 = 4.0L Power Tech

TRANSMISSION  
DGG, DGD = 32RH 3 Spd. Auto.  
DDQ = 5 Spd. Manual  
DDD = 5 Speed HD Manual  
DG0 = Auto. Trans.  
DBB = Manual Trans.

**Seat Assemblies, Adjusters, Recliners**  
**Figure ITJ-810**



ITEM	PART NUMBER	QTY	LINE	SERIES	BODY	ENGINE	TRANS	TRIM	DESCRIPTION
1									HANDLE, Towel Bar
	5016 742AA	1	U					D7	Right,Export
	5016 743AA	1	U					D7	Left,Export
		1	J					D7	Left,Export
	5016 742AA	1	J					D7	Right,Export
		1	J					E6	Right
	5016 743AA	1	J					E6	Left
	5016 742AA	1	U					E6	Right,Export
	5016 743AA	1	U					E6	Left,Export
		1	J					E7	Left,Export
	5016 742AA	1	J					E7	Right,Export
		1	U					E7	Right,Export
	5016 743AA	1	U					E7	Left,Export
		1						L5	Left
	5016 742AA	1						L5	Right
	5014 756AA	1						M5	Left
	5015 861AA	1						M5	Right
	5016 743AA	1	J					Y7	Left,Export
	5016 742AA	1	J					Y7	Right,Export
	5016 743AA	1	U					Y7	Left,Export
	5016 742AA	1	U					Y7	Right,Export
2									ADJUSTER, Manual Seat, Left
	5012 151AA	1	U					D7	Export
		1	J					D7	Export
	4874 120	1	J					E6	Without Easy Entry
	5012 151AA	1	J					E6	Export
		1	U					E6	Export
		1	U					E7	Export
		1	J					E7	Export
		1	U					L5	Export
		1	J					L5	Export
	5019 241AA	1						L5	With Easy Entry
	5012 151AA	1	J					M5	Export
	5019 241AA	1						M5	
	5012 151AA	1	U					M5	Export
		1	U					Y7	Export
		1	J					Y7	Export
3	5014 290AA	1	J					E6	RISER, Seat, Inboard,Driver
4	5014 291AA	1	J					E6	RISER, Seat, Outboard,Driver
5									KNOB, Seat Recliner
	4796 720	2	U					D7	
		2	J					D7	

**JEEP WRANGLER (TJ)**

SERIES  
H = Sport  
L = SE  
P = Sahara

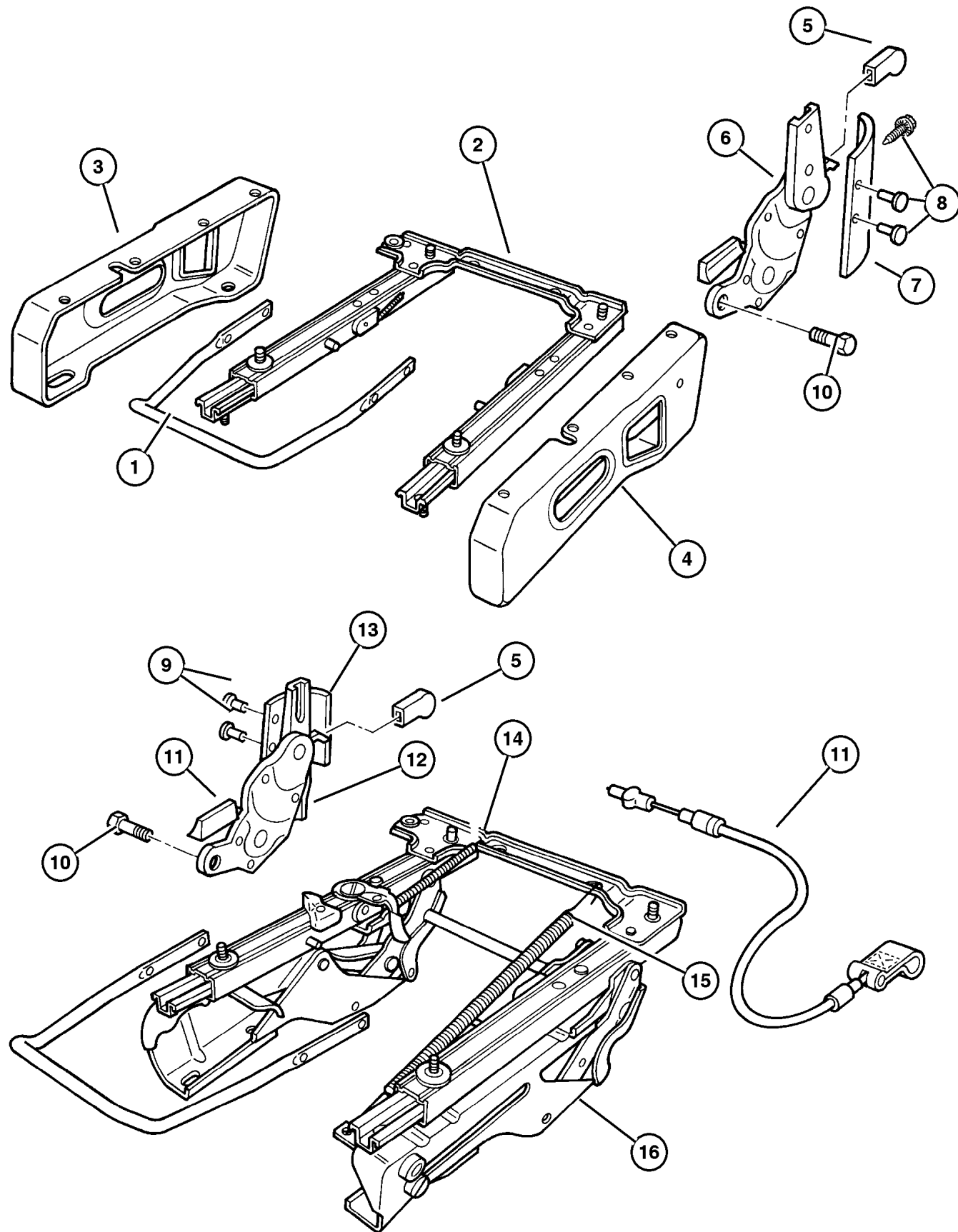
LINE  
J = Wrangler 4WD  
U = Wrangler 4WD (RHD)

BODY  
77 = 93.4 WB

ENGINE  
EPE, EP0 = 2.5L Power Tech  
ERH, ER0 = 4.0L Power Tech

TRANSMISSION  
DGG, DGD = 32RH 3 Spd. Auto.  
DDQ = 5 Spd. Manual  
DDD = 5 Speed HD Manual  
DG0 = Auto. Trans.  
DBB = Manual Trans.

### Seat Assemblies, Adjusters, Recliners Figure ITJ-810



ITEM	PART NUMBER	QTY	LINE	SERIES	BODY	ENGINE	TRANS	TRIM	DESCRIPTION
		2	J					E6	
		2	U					E6	
		2	J					E7	
		2	U					E7	
		2						L5	
		1						M5	
		2	J					Y7	
		2	U					Y7	
6									RECLINER, Front Seat Back, Driver
	5019 787AA	1	J					D7	
		1	U					D7	
		1	U					E6	
		1	J					E6	
		1	J					E7	
		1	U					E7	
		1						L5	
		1						M5	
		1	U					Y7	
		1	J					Y7	
7									SHIELD SIDE, Seat, Left
	4874 117	1	U					D7	Right
		1	J					D7	Right
		1	J					E6	Left
		1	U					E6	Left
		1	J					E7	Left
		1	U					E7	Left
		1						L5	Left
		1						M5	Left
		1	U					Y7	
		1	J					Y7	
8									SCREW
	5019 133AA	4	J					D7	
		4	U					D7	
		4	J					E6	
		4	U					E6	
		4	J					E7	
		4	U					E7	
		4	J					L5	
		4	U					L5	
		1						M5	
		4	J					Y7	
		4	U					Y7	
9									BOLT, Recliner to Seat Back

**JEEP WRANGLER (TJ)**

SERIES  
H = Sport  
L = SE  
P = Sahara

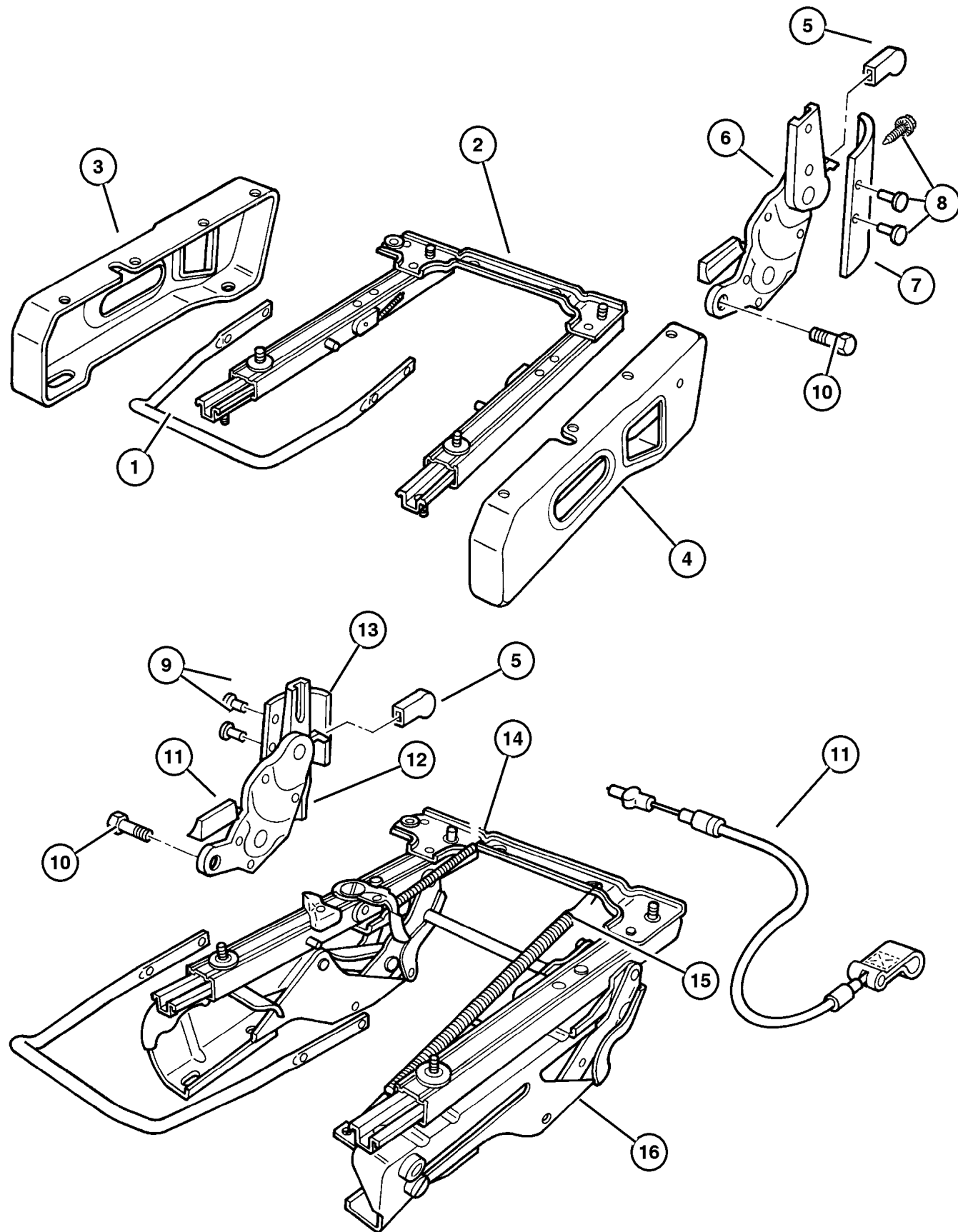
LINE  
J = Wrangler 4WD  
U = Wrangler 4WD (RHD)

BODY  
77 = 93.4 WB

ENGINE  
EPE, EP0 = 2.5L Power Tech  
ERH, ER0 = 4.0L Power Tech

TRANSMISSION  
DGG, DGD = 32RH 3 Spd. Auto.  
DDQ = 5 Spd. Manual  
DDD = 5 Speed HD Manual  
DG0 = Auto. Trans.  
DBB = Manual Trans.

**Seat Assemblies, Adjusters, Recliners**  
**Figure ITJ-810**



ITEM	PART NUMBER	QTY	LINE	SERIES	BODY	ENGINE	TRANS	TRIM	DESCRIPTION
	4720 768	4	U					D7	
		4	J					D7	
		4	J					E6	
		4	U					E6	
		4	J					E7	
		4	U					E7	
		4						L5	
		1						M5	
		4	J					Y7	
		4	U					Y7	
10								BOLT, Recliner To Cushion, Front Seat	
	4796 793	4	U					D7	
		4	J					D7	
		4	J					E6	
		4	U					E6	
		4	J					E7	
		4	U					E7	
		4						L5	
		1	U					M5	
		1	J					M5	
		4	U					Y7	
4	J					Y7			
11								CABLE, Seat Adjuster, Recliner, Easy Entry, Includes Strap	
	5019 785AA	1	U					D7	
		1	J					D7	
		1	U					E6	
		1	J					E6	
		1	U					E7	
		1	J					E7	
		1						L5	
		1						M5	
		1	J					Y7	
		1	U					Y7	
12								RECLINER, Front Seat Back, Passenger	
	5019 786AA	1	J					D7	
		1	U					D7	
		1	U					E6	
		1	J					E6	
		1	J					E7	

**JEEP WRANGLER (TJ)**

SERIES  
H = Sport  
L = SE  
P = Sahara

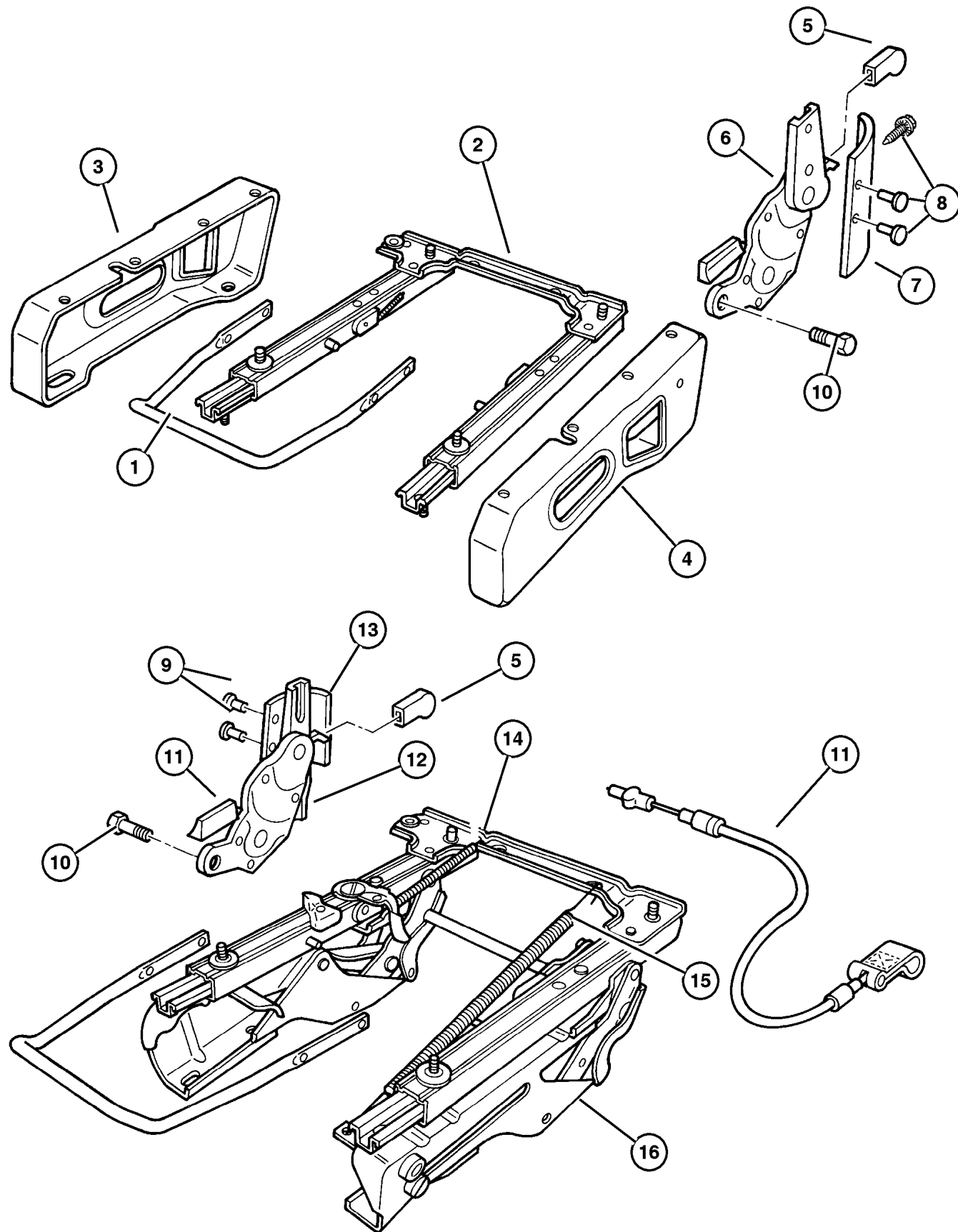
LINE  
J = Wrangler 4WD  
U = Wrangler 4WD (RHD)

BODY  
77 = 93.4 WB

ENGINE  
EPE, EP0 = 2.5L Power Tech  
ERH, ER0 = 4.0L Power Tech

TRANSMISSION  
DGG, DGD = 32RH 3 Spd. Auto.  
DDQ = 5 Spd. Manual  
DDD = 5 Speed HD Manual  
DG0 = Auto. Trans.  
DBB = Manual Trans.

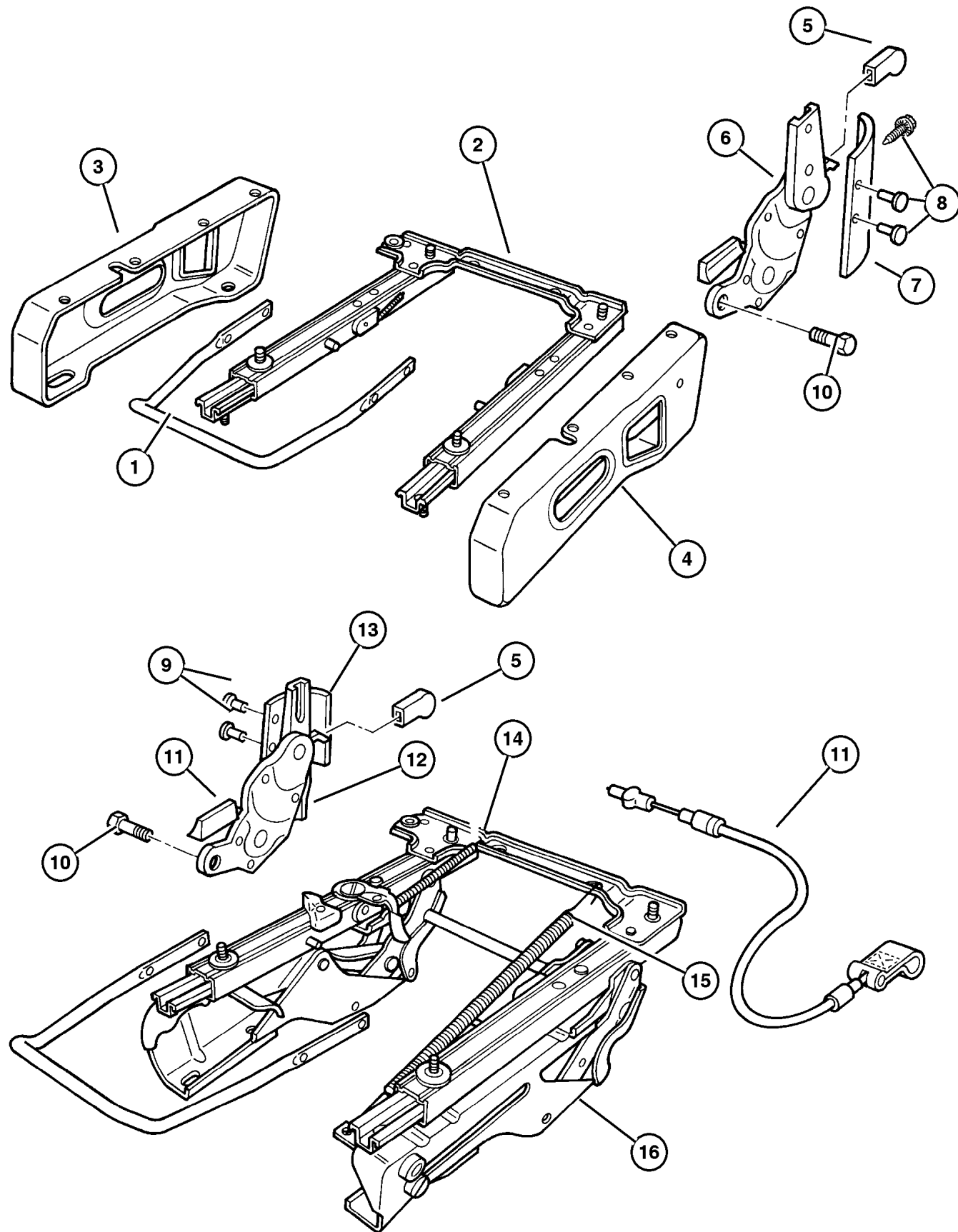
**Seat Assemblies, Adjusters, Recliners**  
**Figure ITJ-810**



ITEM	PART NUMBER	QTY	LINE	SERIES	BODY	ENGINE	TRANS	TRIM	DESCRIPTION
		1	U					E7	
		1						L5	
		1						M5	
		1	U					Y7	
		1	J					Y7	
13	4874 116	1	U					D7	SHIELD SIDE, Seat, Right
		1	J					D7	
		1	U					E6	
		1	J					E6	
		1	J					E7	
		1	U					E7	
		1						L5	
		1						M5	
		1	U					Y7	
		1	J					Y7	
14	4874 266	1	J					E6	SPRING, Seat Lever Return, Short
		1						L5	
		1						M5	
15	5012 162AA	1	U					D7	SPRING, Seat Release Lever, Long
		1	J					D7	
		1	J					E6	Export
	4874 267	1	J					E6	
	5012 162AA	1	U					E6	
		1	J					E7	
		1	U					E7	
	4874 267	1						L5	
	5012 162AA	1	J					L5	Export
		1	U					L5	Export
		1	J					M5	Export
		1	U					M5	Export
	4874 267	2						M5	
	5012 162AA	1	J					Y7	
		1	U					Y7	
16	5012 150AA	1	U					D7	ADJUSTER, Manual Seat, Right
		1	J					D7	Export
	4874 143	1	J					E6	
	5012 150AA	1	J					E6	Export
		1	U					E6	Export

**JEEP WRANGLER (TJ)**  
 SERIES LINE BODY ENGINE TRANSMISSION  
 H = Sport J = Wrangler 4WD 77 = 93.4 WB EPE, EP0 = 2.5L Power Tech DGG, DGD = 32RH 3 Spd. Auto.  
 L = SE U = Wrangler 4WD (RHD) ERH, ER0 = 4.0L Power Tech DDQ = 5 Spd. Manual  
 P = Sahara DDD = 5 Speed HD Manual  
 DG0 = Auto. Trans.  
 DBB = Manual Trans.

## Seat Assemblies, Adjusters, Recliners Figure ITJ-810



ITEM	PART NUMBER	QTY	LINE	SERIES	BODY	ENGINE	TRANS	TRIM	DESCRIPTION
		1	U					E7	Export
		1	J					E7	Export
		1	U					L5	Export
		1	J					L5	Export
	4874 143	1						L5	Export
		1						M5	Export
	5012 150AA	1	U					M5	Export
		1	J					M5	Export
		1	U					Y7	Export
-17									CABLE, Seat Adjuster, Seat Track
	5014 745AA-	1	U					D7	Also Serviced in the Adjuster, Export
		1	J					D7	Also Serviced in the Adjuster, Export
		1	U					E6	Also Serviced in the Adjuster, Export
	4886 308AA-	1	J					E6	28 Inches Long, (Also Serviced in 4874143)
	5014 745AA-	1	J					E6	Also Serviced in the Adjuster, Export
		1	J					E7	Also Serviced in the Adjuster, Export
		1	U					E7	Also Serviced in the Adjuster, Export
		1	U					L5	Also Serviced in the Adjuster, Export
	4886 308AA-	1						L5	28 Inches Long, (Also Serviced in 4874143)
	4886 309AA-	1						L5	40 Inches Long, (Also Serviced in 5019241AA)
	5014 745AA-	1	J					L5	Also Serviced in the Adjuster, Export
	4886 308AA-	1						M5	28 Inches Long, (Also Serviced in 4874143)
	4886 309AA-	1						M5	40 Inches Long, (Also Serviced in 5019241AA)
	5014 745AA-	1	U					Y7	Also Serviced in the Adjuster
		1	J					Y7	Also Serviced in the Adjuster
-18	J400 6832	2							BOLT, Pan Head, .437-20x1.375, Passenger and Driver Seat to Floor Pan

**JEEP WRANGLER (TJ)**

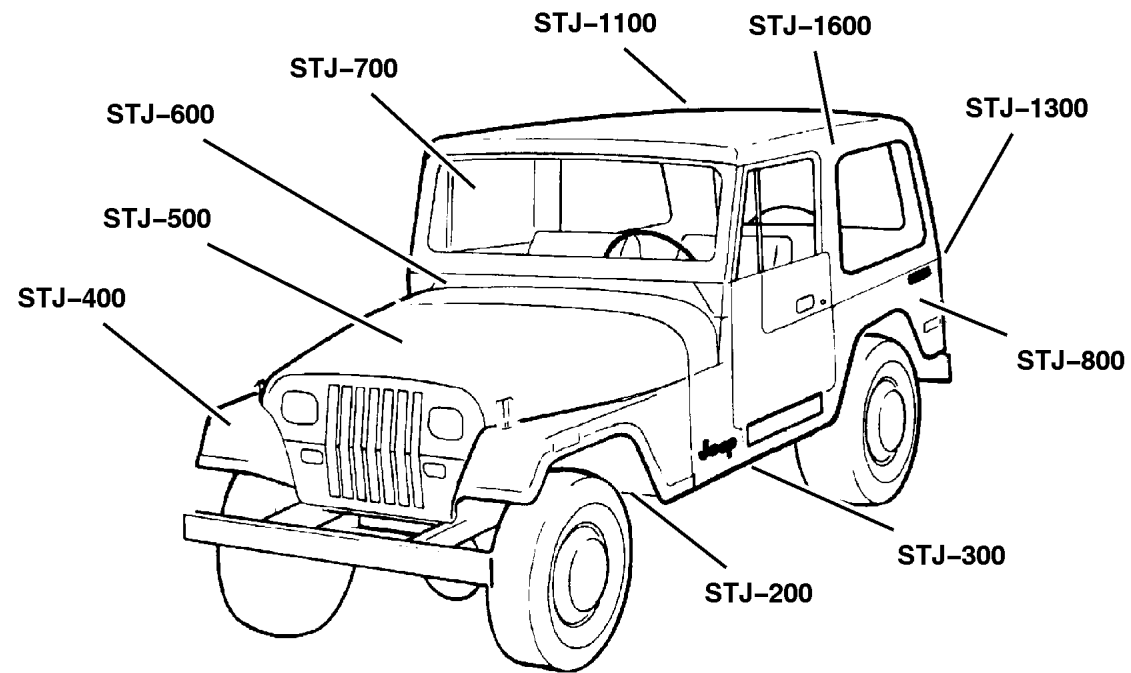
SERIES	LINE	BODY	ENGINE	TRANSMISSION
H = Sport	J = Wrangler 4WD	77 = 93.4 WB	EPE, EP0 = 2.5L Power Tech	DGG, DGD = 32RH 3 Spd. Auto.
L = SE	U = Wrangler 4WD (RHD)		ERH, ER0 = 4.0L Power Tech	DDQ = 5 Spd. Manual
P = Sahara				DDD = 5 Speed HD Manual
				DG0 = Auto. Trans.
				DBB = Manual Trans.

AR = Use as required - = Non illustrated part # = New this model year

September 16, 2005

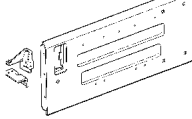
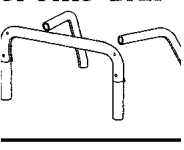
# Group – STJ

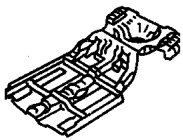

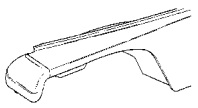

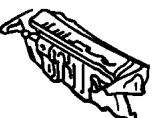

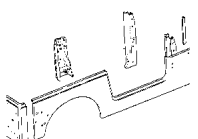
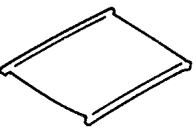
## Body Sheet Metal Except Doors



# Group – STJ

## Body Sheet Metal Except Doors

<p><b>STJ-1300</b> Tailgate</p> 	<p><b>STJ-1600</b> Luggage Rack</p> 		
---	---	--	--

<p><b>STJ-200</b> Floor Pans</p> 	<p><b>STJ-300</b> Plugs</p> 	<p><b>STJ-400</b> Front Fenders</p> 	<p><b>STJ-500</b> Hood and Hood Release</p> 
<p><b>STJ-600</b> Cowl and Dash Panel</p> 	<p><b>STJ-700</b> Glass and Rear View Mirror</p> 	<p><b>STJ-800</b> Aperture Panel</p> 	<p><b>STJ-1100</b> Roof - Hard &amp; Soft Top</p> 



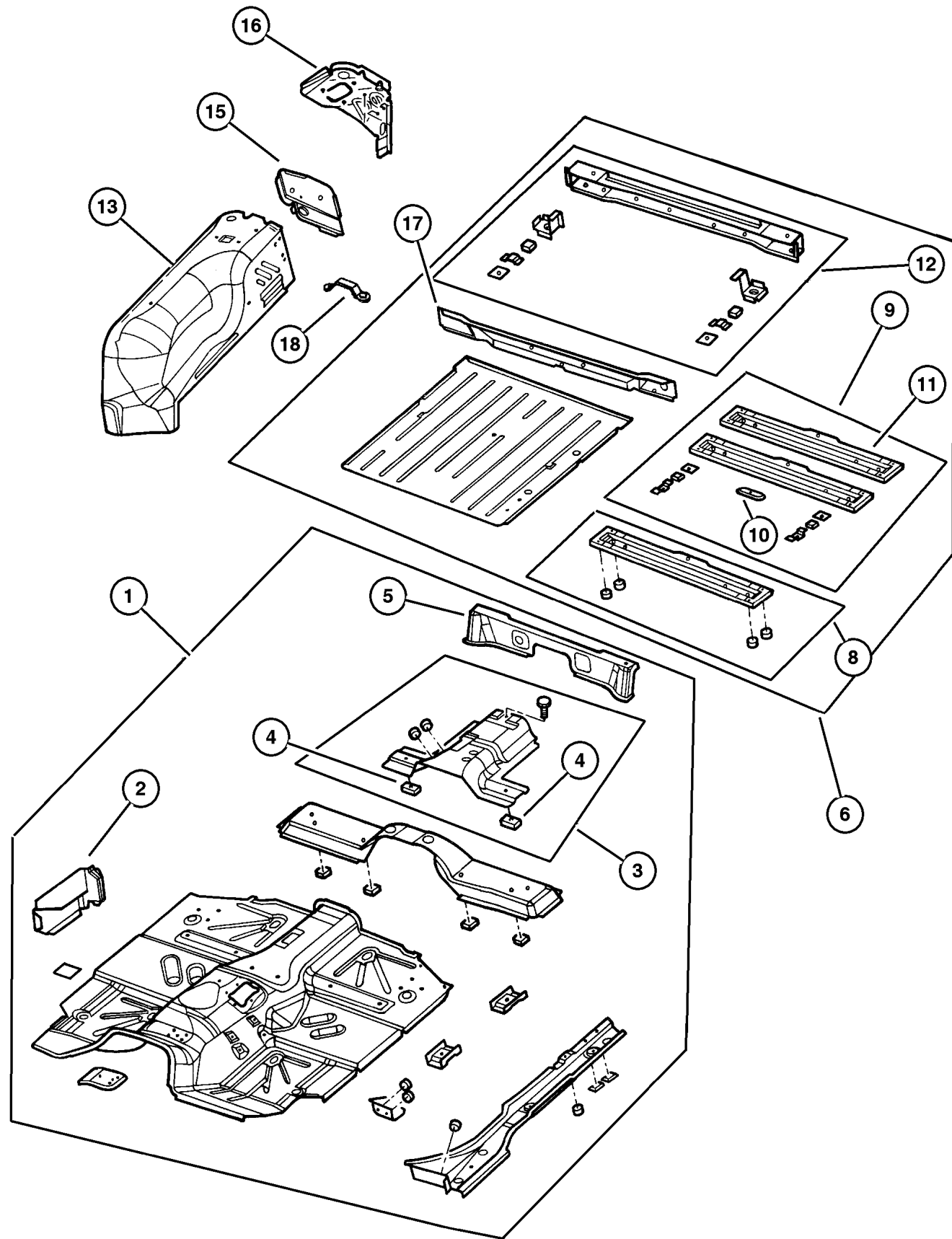
---

## GROUP STJ - Body Sheet Metal Except Doors

Illustration Title	Group-Fig. No.
<b>Floor Pans</b>	
Pan, Floor Front And Rear .....	Fig. STJ-210
<b>Plugs</b>	
Plugs .....	Fig. STJ-310
<b>Front Fenders</b>	
Fender And Flare, Front .....	Fig. STJ-410
<b>Hood and Hood Release</b>	
Hood, Lock, Catches .....	Fig. STJ-510
<b>Cowl and Dash Panel</b>	
Panels, Cowl And Dash .....	Fig. STJ-610
<b>Glass and Rear View Mirror</b>	
Glass, Windshield, Backlite, Quarter Windshield Frame, Hinges .....	Fig. STJ-710
<b>Aperture Panel</b>	
Panels, Body Side .....	Fig. STJ-810
<b>Roof - Hard &amp; Soft Top</b>	
Soft Top And Windows .....	Fig. STJ-1110
Top Enclosure, Hard .....	Fig. STJ-1120
<b>Tailgate</b>	
Tailgate .....	Fig. STJ-1310
Add-a-Trunk .....	Fig. STJ-1320
<b>Luggage Rack</b>	
Sport Bar Wrangler .....	Fig. STJ-1610



**Pan, Floor Front And Rear  
Figure STJ-210**



ITEM	PART NUMBER	QTY	LINE	SERIES	BODY	ENGINE	TRANS	TRIM	DESCRIPTION
1	55177 254AA	1							PAN, Floor
2	5517 4828	1							PANEL, Cowl Side Right
	55174 829AB	1							Left
3	5517 5209	1							REINFORCEMENT, Park Brake Mounting
4	6033 150	2							NUT PLATE, .25-20
5	55174 809AB	1							RISER, Seat
6	55174 811AC	1							PAN, Floor
-7	6035 880	2	U						NUT, Rivet, Child Restraint, AUSTRALIA
8	5517 6240	1							CROSSMEMBER, Seat Belt Mount
9	5517 6241	1							CROSSMEMBER, Underbody
10	4490 835AB	1							REINFORCEMENT, Shoulder Belt
11	5517 6237	1							CROSSMEMBER, Rear Floor
12	55175 788AD	1							SILL, Rear
13	55175 230AC	1							PANEL, Wheelhouse Right
	55175 231AC	1							Left
-14	4490 111	1							TAPPING PLATE
15	55176 527AC	1							PANEL, Rear Closure As Illustrated, Left
	55176 526AC	1							Horseshoe Shaped, Right
16	55175 064AB	1							REINFORCEMENT, Wheelhouse Right
	55175 065AB	1							Left
17	5517 5790	1							PANEL, Rear Body Closing, Lower Center Panel
18	5501 3668	8							CHECK, Front Door

**JEEP WRANGLER (TJ)**

SERIES  
H = Sport  
L = SE  
P = Sahara

LINE  
J = Wrangler 4WD  
U = Wrangler 4WD (RHD)

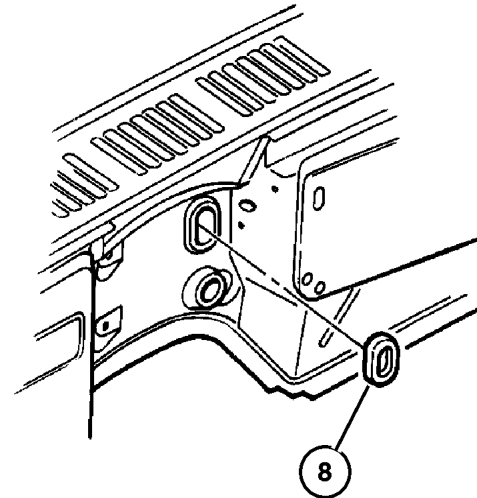
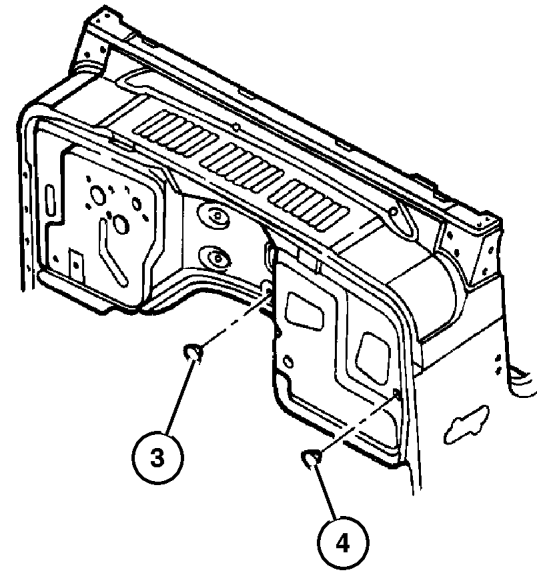
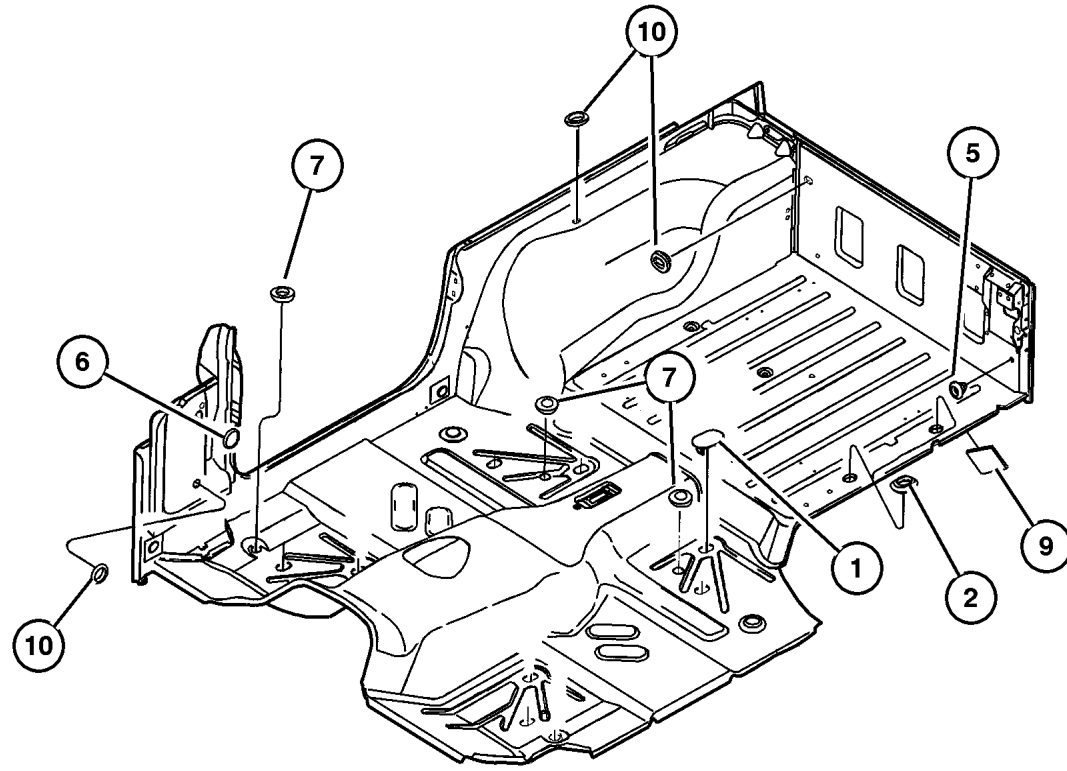
BODY  
77 = 93.4 WB

ENGINE  
EPE, EP0 = 2.5L Power Tech  
ERH, ER0 = 4.0L Power Tech

TRANSMISSION  
DGG, DGD = 32RH 3 Spd. Auto.  
DDQ = 5 Spd. Manual  
DDD = 5 Speed HD Manual  
DGO = Auto. Trans.  
DBB = Manual Trans.

## Plugs Figure STJ-310

ITEM	PART NUMBER	QTY	LINE	SERIES	BODY	ENGINE	TRANS	TRIM	DESCRIPTION
1	4586 055	8							PLUG, Floor Pan, Front
2	6004 507	2							PLUG, Body, 25.4mm x 38.1mm, Rubber, Rear Floor Pan
3	2424 864	1							PLUG, Body, 1.75 Diameter, Shift Cable Hole
4	55257 380AA	AR							PLUG, Dash Panel Rear Body Wiring
5	4373 728	1							PLUG
6	55176 729AA	2							PLUG, Cowl Side
7	55177 482AA	4							PLUG, Floor Pan
8									PLUG, Body, 4.0mm X 76.4mm, (NOT SERVICED) (Not Serviced)
9	4278 178	2							TAPE, Hole Cover, 50x50x1 mm
10	1774 076	2							PLUG



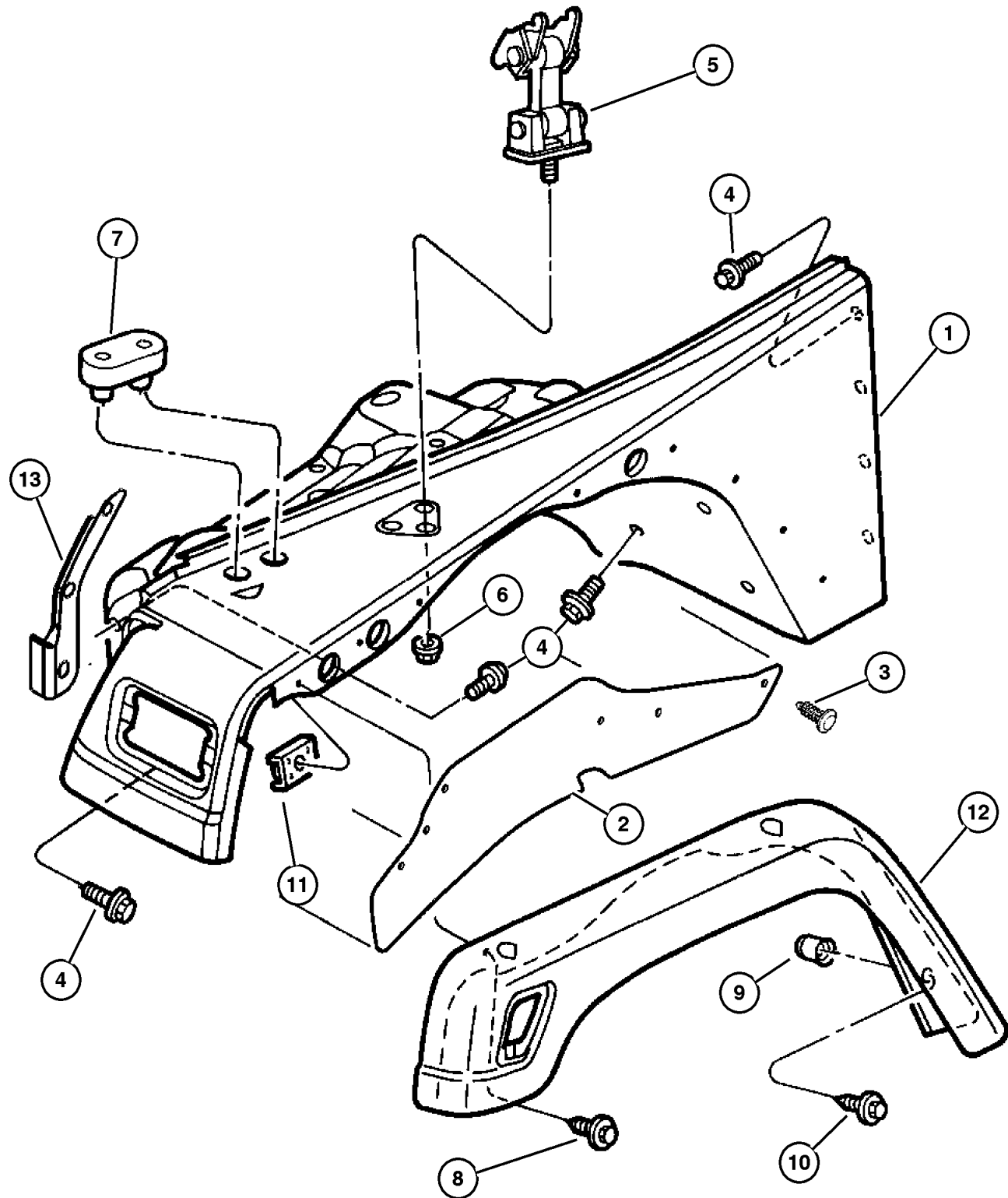
### JEEP WRANGLER (TJ)

SERIES	LINE	BODY	ENGINE	TRANSMISSION
H = Sport	J = Wrangler 4WD	77 = 93.4 WB	EPE, EP0 = 2.5L Power Tech	DGG, DGD = 32RH 3 Spd. Auto.
L = SE	U = Wrangler 4WD (RHD)		ERH, ER0 = 4.0L Power Tech	DDQ = 5 Spd. Manual
P = Sahara				DDD = 5 Speed HD Manual
				DG0 = Auto. Trans.
				DBB = Manual Trans.

AR = Use as required - = Non illustrated part # = New this model year

September 16, 2005

Fender And Flare, Front  
Figure STJ-410



ITEM	PART NUMBER	QTY	LINE	SERIES	BODY	ENGINE	TRANS	TRIM	DESCRIPTION
1									PANEL, Fender
	5003 950AD	1							Right
	5003 951AD	1							Left
2	5517 4658	2							SHIELD, Splash, Front
3	6030 441	12							PIN, Retainer
4	6100 583	8							BOLT AND CONED WASHER, Hex Head, M8x25x20
5	55176 636AD	2							CATCH, Hood
6	3420 1416	2							NUT, Hex Flange, M8x1.25
7	J400 7541	2							BUMPER, Fender, Oblong Head, Hood Cushion
8									SCREW AND WASHER, [.190-16x.750], (NOT SERVICED) (Not Serviced)
9	6504 601	6							NUT, Rivet Round, M5x0.80x11.09
10									SCREW AND WASHER, M5x.080x20.00, (NOT SERVICED) (Not Serviced)
11	J400 4868	14							NUT, Plastic
12									EXTENSION, Fender
	5525 4918	1							[K30], Black, Textured, Right
	5525 4919	1							[K30], Black, Textured, Left
	QP94 DX8AB	1							[K5X], Right
	QP94 DX9AB	1							[K5Z], Right
	QP94 SG8AB	1							[K5G], Right
	QP94 SW1AB	1							[K5W], Right
	QP94 WU7AB	1							[K5U], Right
	QP94 XS5AB	1							[K5A], Right
	QP95 DX8AB	1							[K5X], Left
	QP95 DX9AB	1							[K5Z], Left
	QP95 SG8AB	1							[K5G], Left
	QP95 SW1AB	1							[K5W], Left
	QP95 WU7AB	1							[K5U], Left
	QP95 XS5AB	1							[K5A], Left
13									REINFORCEMENT, Fender
	55176 456AB	1							Right
	55176 457AB	1							Left

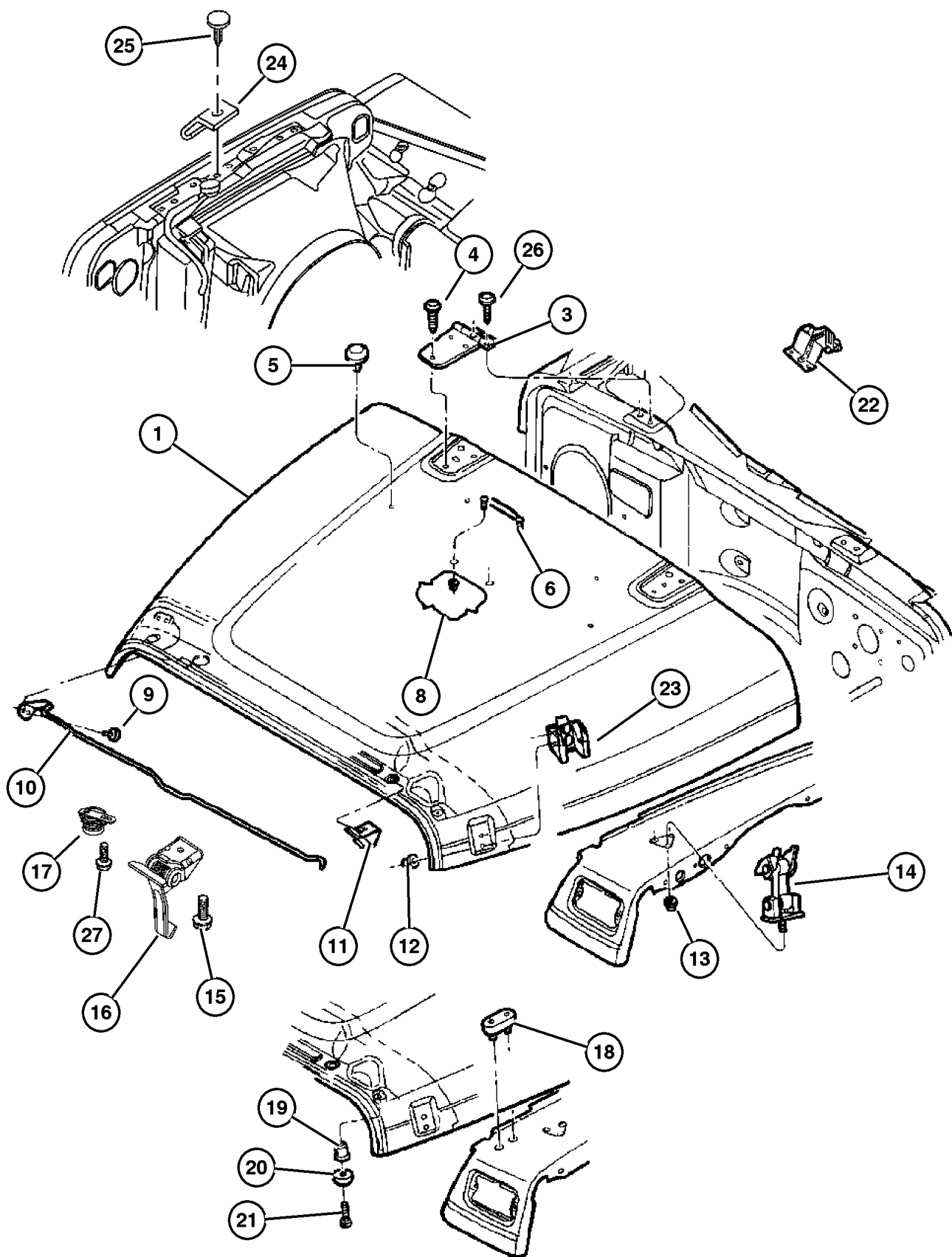
JEEP WRANGLER (TJ)

SERIES	LINE	BODY	ENGINE	TRANSMISSION
H = Sport	J = Wrangler 4WD	77 = 93.4 WB	EPE, EP0 = 2.5L Power Tech	DGG, DGD = 32RH 3 Spd. Auto.
L = SE	U = Wrangler 4WD (RHD)		ERH, ER0 = 4.0L Power Tech	DDQ = 5 Spd. Manual
P = Sahara				DDD = 5 Speed HD Manual
				DG0 = Auto. Trans.
				DBB = Manual Trans.

AR = Use as required - = Non illustrated part # = New this model year

September 16, 2005

## Hood, Lock, Catches Figure STJ-510



ITEM	PART NUMBER	QTY	LINE	SERIES	BODY	ENGINE	TRANS	TRIM	DESCRIPTION
1	5066 182AA	1							HOOD
-2	5517 6589	AR							SHIM
3	5507 5559	2							HINGE, Hood
4	6503 154	6							SCREW AND WASHER, Round Head, M8x1.25x20
5	55075 590AB	2							BUMPER, Hood
6	5517 6422	1							BRACKET, Windshield Hold Down
-7	6036 102AA-	4							SCREW, .19-24.50
8	6502 028	2							NUT AND WASHER, Hex Nut-Coned Washer, M4 x 0.70
9	6034 980	2							SCREW, Pan Head, .19-24x.437
10	55176 635AD	1							ROD, Hood Prop
11	J400 7456	1							CLIP, Prop Rod
12	6504 030	4							NUT AND WASHER, Hex, M6x1
13	3420 1416	2							NUT, Hex Flange, M8x1.25
14	55176 636AD	2							CATCH, Hood
15									SCREW AND WASHER, M6x1.00x20.00, (NOT SERVICED) (Not Serviced)
16	55176 731AE	1							HOOK, Hood Safety Catch
17	55176 732AB	1							SPRING, Hood Pop Up
18	J400 7541	2							BUMPER, Fender, Oblong
19	J400 5237	2							NUT, Hex, .19-32x430, Well Type Hood Bumper Support
20	5517 6291	2							BUMPER, Steel Insert
21	6034 205	2							SCREW, Pan Head, .19-32x.625, Hood Bumper Support
22	5517 5096	2							REINFORCEMENT, Hood Hinge
23	55176 428AC	2							BRACKET, Hood Catch
24	5503 2768	1							SKID PLATE, Secondary Hood Catch
25	6500 787	1							RIVET, M5x11.30
26	6035 627	4							SCREW AND WASHER, Truss Head, .312-18x1.12
27									SCREW, .190-16x.500, (NOT SERVICED) (Not Serviced)

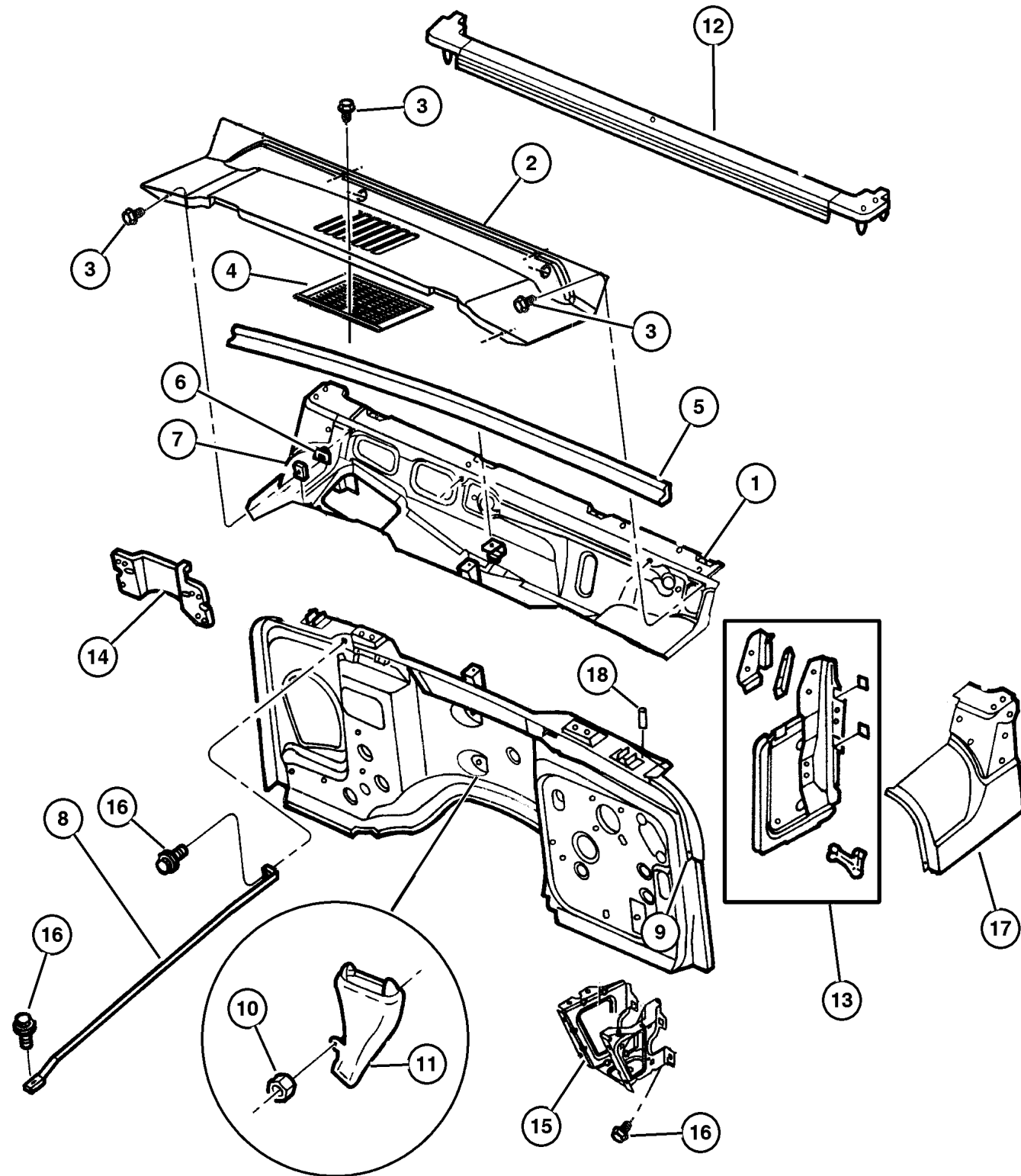
**JEEP WRANGLER (TJ)**

SERIES	LINE	BODY	ENGINE	TRANSMISSION
H = Sport	J = Wrangler 4WD	77 = 93.4 WB	EPE, EP0 = 2.5L Power Tech	DGG, DGD = 32RH 3 Spd. Auto.
L = SE	U = Wrangler 4WD (RHD)		ERH, ER0 = 4.0L Power Tech	DDQ = 5 Spd. Manual
P = Sahara				DDD = 5 Speed HD Manual
				DG0 = Auto. Trans.
				DBB = Manual Trans.

AR = Use as required - = Non illustrated part # = New this model year

September 16, 2005

**Panels, Cowl And Dash  
Figure STJ-610**



ITEM	PART NUMBER	QTY	LINE	SERIES	BODY	ENGINE	TRANS	TRIM	DESCRIPTION
1									PANEL, Cowl
	55174 624AD	1	J						
	55174 625AD	1	U						
2									GRILLE, Cowl Panel
	55174 636AB	1	J						
	55174 637AC	1	U						
3									SCREW, 0.164-15x1.21, (NOT SERVICED) (Not Serviced)
4	55037 422AC	1							SCREEN, Cowl
5	5517 4640	1							WEATHERSTRIP, Hood to Cowl
6									NUT, Snap In
	6506 063AA	4	J						
		4	U						
7									NUT, Spring, .16-18
	0152 490	3	J						
		3	U						
8	5517 6588	2							BRACKET, Dash Panel to Plenum
9									PANEL, Dash
	55174 644AD	1	J						With [ABS] Grommet Hole
	55174 645AC	1	U						Without [ABS] Grommet Hole
	55174 645AD	1	U						
10	6100 048	1							NUT, Hex, M6x1.00
11	5517 6555	1							DRAIN, Heater and A/C
12	55176 566AE	1							WEATHERSTRIP, Windshield to Cowl
13									PANEL, Cowl Side
	5517 6092	1	J						Upper,Right
		1	U						Upper,Right
	5517 6093	1	J						Upper,Left
		1	U						Upper,Left
14									BRACKET, Module
	5517 6099	1	U						
	5517 6011	1	J						
15									REINFORCEMENT, Battery Tray
	5517 4782	1							Right
	5517 4783	1							Left
16	6100 583	6							BOLT AND CONED WASHER, Hex Head, M8x25x20
17									PANEL, Cowl Top, Serviced in Panel Body Side, (NOT SERVICED) (Not Serviced)
18	6504 649	4							CAP, Bolt Cover

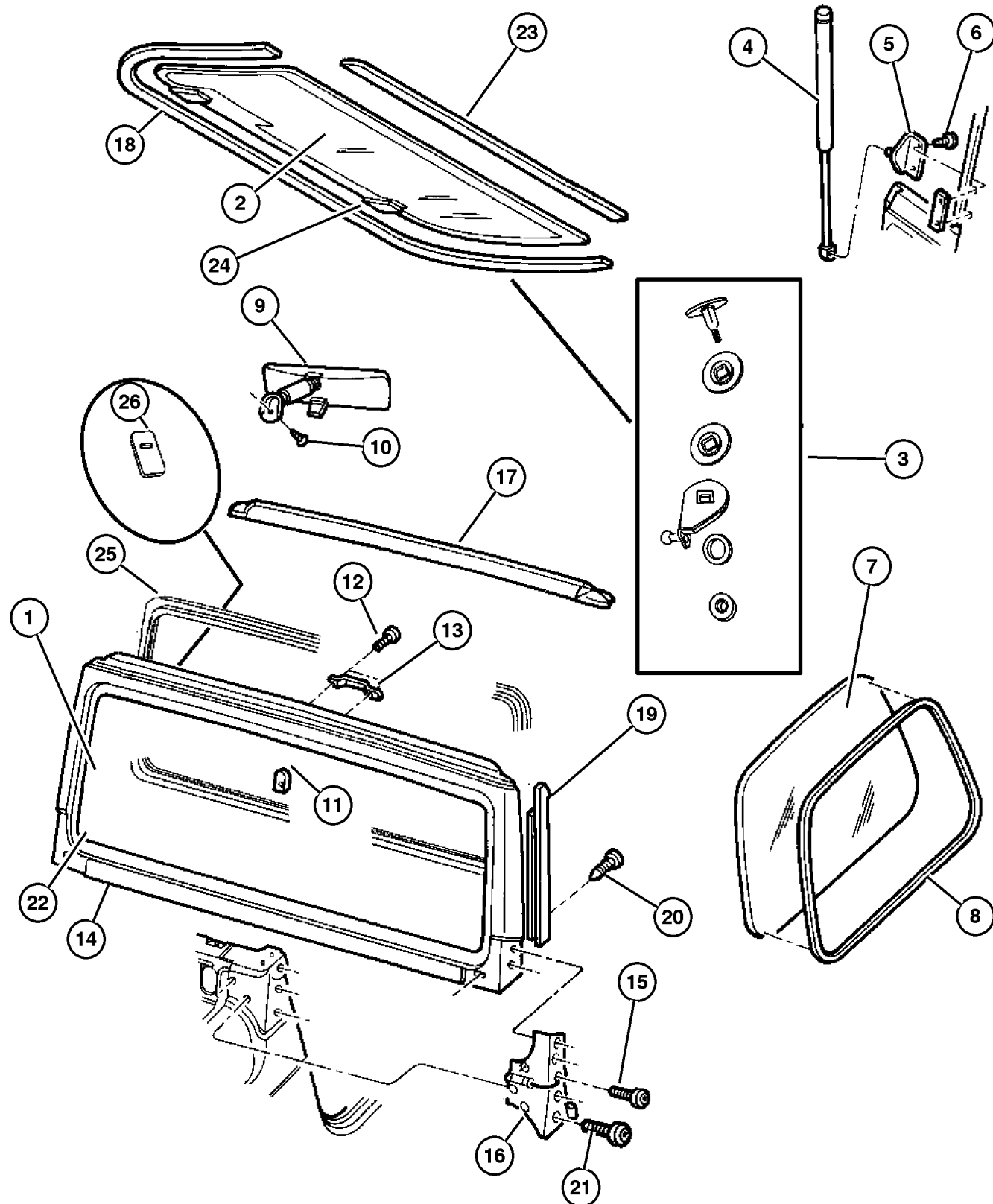
**JEEP WRANGLER (TJ)**

SERIES	LINE	BODY	ENGINE	TRANSMISSION
H = Sport	J = Wrangler 4WD	77 = 93.4 WB	EPE, EP0 = 2.5L Power Tech	DGG, DGD = 32RH 3 Spd. Auto.
L = SE	U = Wrangler 4WD (RHD)		ERH, ER0 = 4.0L Power Tech	DDQ = 5 Spd. Manual
P = Sahara				DDD = 5 Speed HD Manual
				DG0 = Auto. Trans.
				DBB = Manual Trans.

AR = Use as required - = Non illustrated part # = New this model year

September 16, 2005

**Glass, Windshield, Backlite, Quarter Windshield Frame, Hinges**  
**Figure STJ-710**



ITEM	PART NUMBER	QTY	LINE	SERIES	BODY	ENGINE	TRANS	TRIM	DESCRIPTION
1	55135 127AC	1							WINDSHIELD
2	4883 307	1							BACKLITE Tinted
	4883 306	1							Tint, Heated
	4883 306AB	1							Privacy, Heated
3	4883 496AA	1							BRACKET, Ballstud Right
	4883 497AA	1							Left
4	55076 310AB	2							PROP, Liftgate
5	55076 311AB	2							BALL STUD, Body Side
6									SCREW, M6x1.00x20.00, (NOT SERVICED) (Not Serviced)
7									GLASS, Quarter Window
	5517 6278	1							Tinted, Right
	5517 6279	1							Tinted, Left
	5517 6306	1							Privacy, Right
	5517 6307	1							Privacy, Left
8	5517 6577	2							MOLDING, Quarter Window
9	55156 172AA	1							MIRROR, Inside Rear View
10									SCREW, Pan Head, .164-32x.460, (NOT SERVICED) (Not Serviced)
11	5507 6401	1							BUTTON, Rear View Mirror
12									SCREW, .190-24x.500, (NOT SERVICED) (Not Serviced)
13	5501 3666	1							FOOTMAN LOOP, Hold Down
14	55174 607AD	1							PANEL, Windshield Frame
15	6035 898	2							SCREW AND WASHER, Truss Head, .312-18x1.12
16									HINGE, Door
	55075 702AE	1							Right
	55075 703AE	1							Left
17	55176 512AE	1							SEAL, Header Opening
18	55175 041AF	1							WEATHERSEAL, LIFTGATE
19									WEATHERSTRIP, Front Door
	55176 618AB	1							Right
	55176 619AB	1							Left
20	6035 369	6							SCREW, Piercing, .164-15x1.25
21	6035 757	8							SCREW
22	55176 567AC	1							MOLDING, Windshield Reveal
23	5517 5042	1							WEATHERSTRIP, Backlite
24									HINGE, Liftglass
	5013 722AA	1							Right
	5013 723AA	1							Left

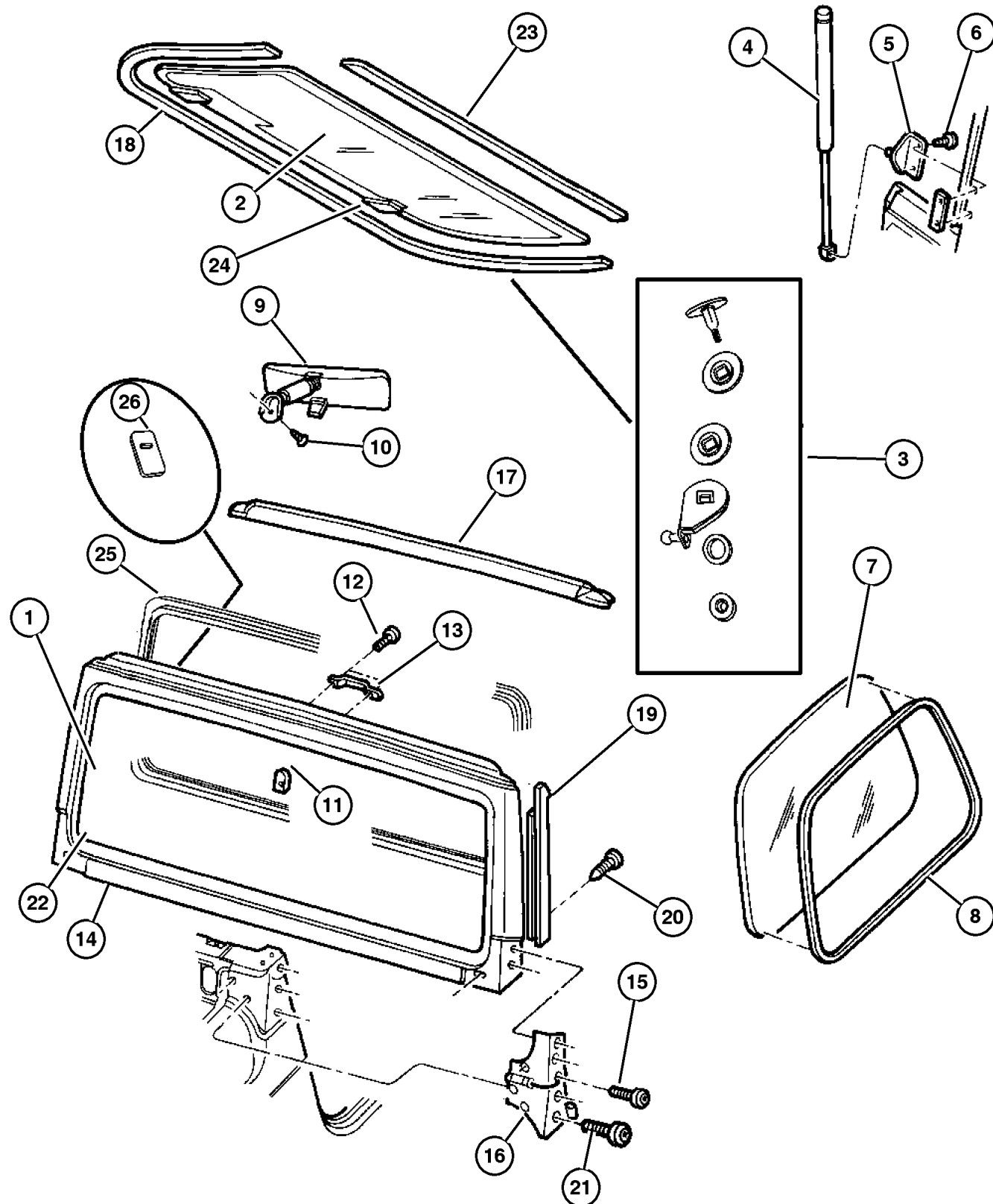
**JEEP WRANGLER (TJ)**

SERIES	LINE	BODY	ENGINE	TRANSMISSION
H = Sport	J = Wrangler 4WD	77 = 93.4 WB	EPE, EP0 = 2.5L Power Tech	DGG, DGD = 32RH 3 Spd. Auto.
L = SE	U = Wrangler 4WD (RHD)		ERH, ER0 = 4.0L Power Tech	DDQ = 5 Spd. Manual
P = Sahara				DDD = 5 Speed HD Manual
				DG0 = Auto. Trans.
				DBB = Manual Trans.

AR = Use as required - = Non illustrated part # = New this model year

September 16, 2005

**Glass, Windshield, Backlite, Quarter Windshield Frame, Hinges**  
**Figure STJ-710**



ITEM	PART NUMBER	QTY	LINE	SERIES	BODY	ENGINE	TRANS	TRIM	DESCRIPTION
25	55176 430AD	1							MOLDING, Windshield Garnish
26	5517 6421	2							TAPE, Anti Chip
-27	5500 9433	1							GASKET, Hinge To Glass, Backlite
-28	5500 9434	1							BUSHING, Hinge to Glass
-29	5500 9788	1							SEAL, Hinge To Glass
-30	J400 7384	1							NUT AND WASHER, Hex
-31	5501 9378	1							CAP, Hinge Cover
-32	5517 6464	1							GROMMET, Wiper Motor And Bracket

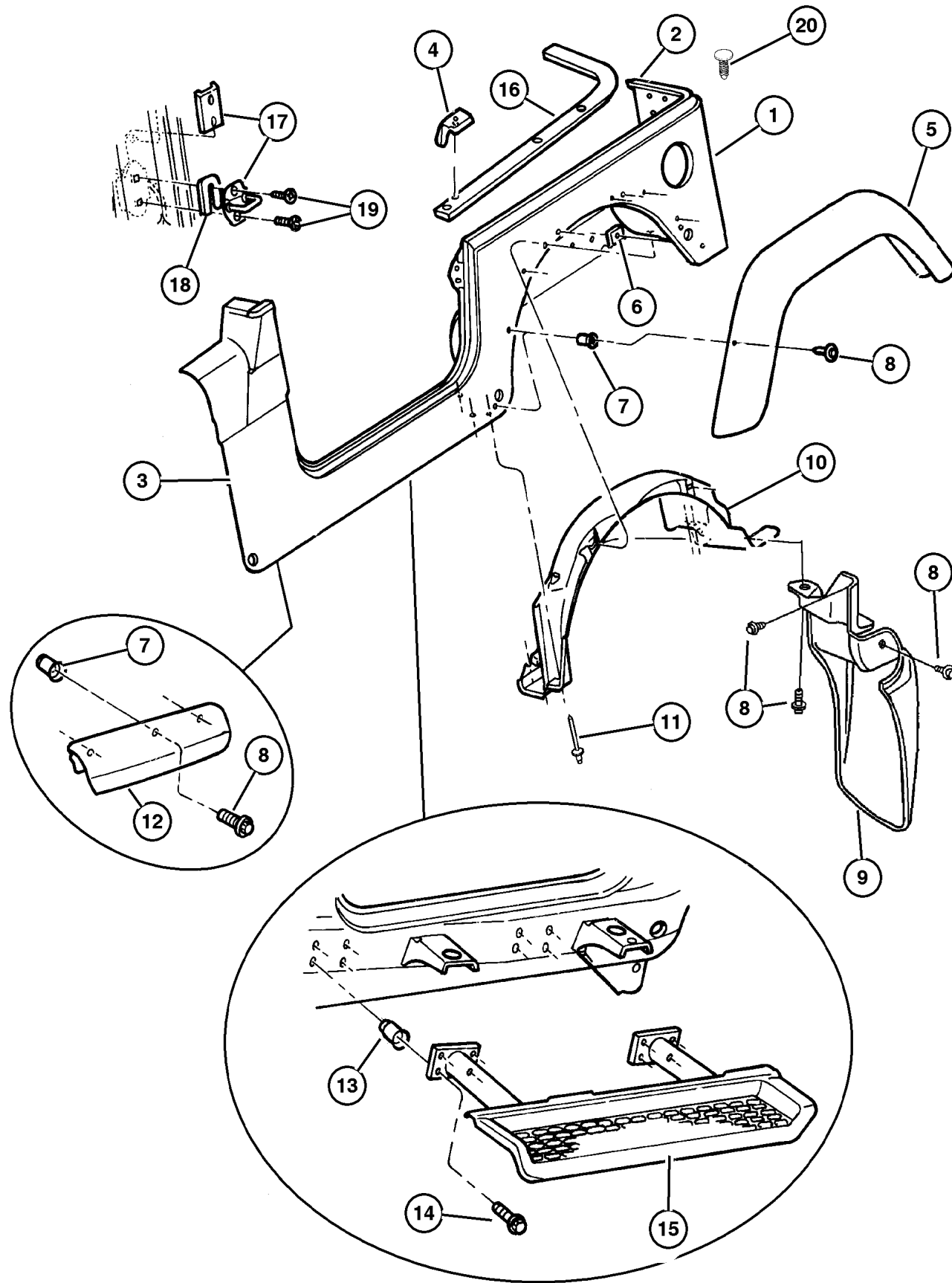
JEEP WRANGLER (TJ)			
SERIES	LINE	BODY	ENGINE
H = Sport	J = Wrangler 4WD	77 = 93.4 WB	EPE, EP0 = 2.5L Power Tech
L = SE	U = Wrangler 4WD (RHD)		ERH, ER0 = 4.0L Power Tech
P = Sahara			

TRANSMISSION
DGG, DGD = 32RH 3 Spd. Auto.
DDQ = 5 Spd. Manual
DDD = 5 Speed HD Manual
DG0 = Auto. Trans.
DBB = Manual Trans.

AR = Use as required - = Non illustrated part # = New this model year

September 16, 2005

Panels, Body Side  
Figure STJ-810

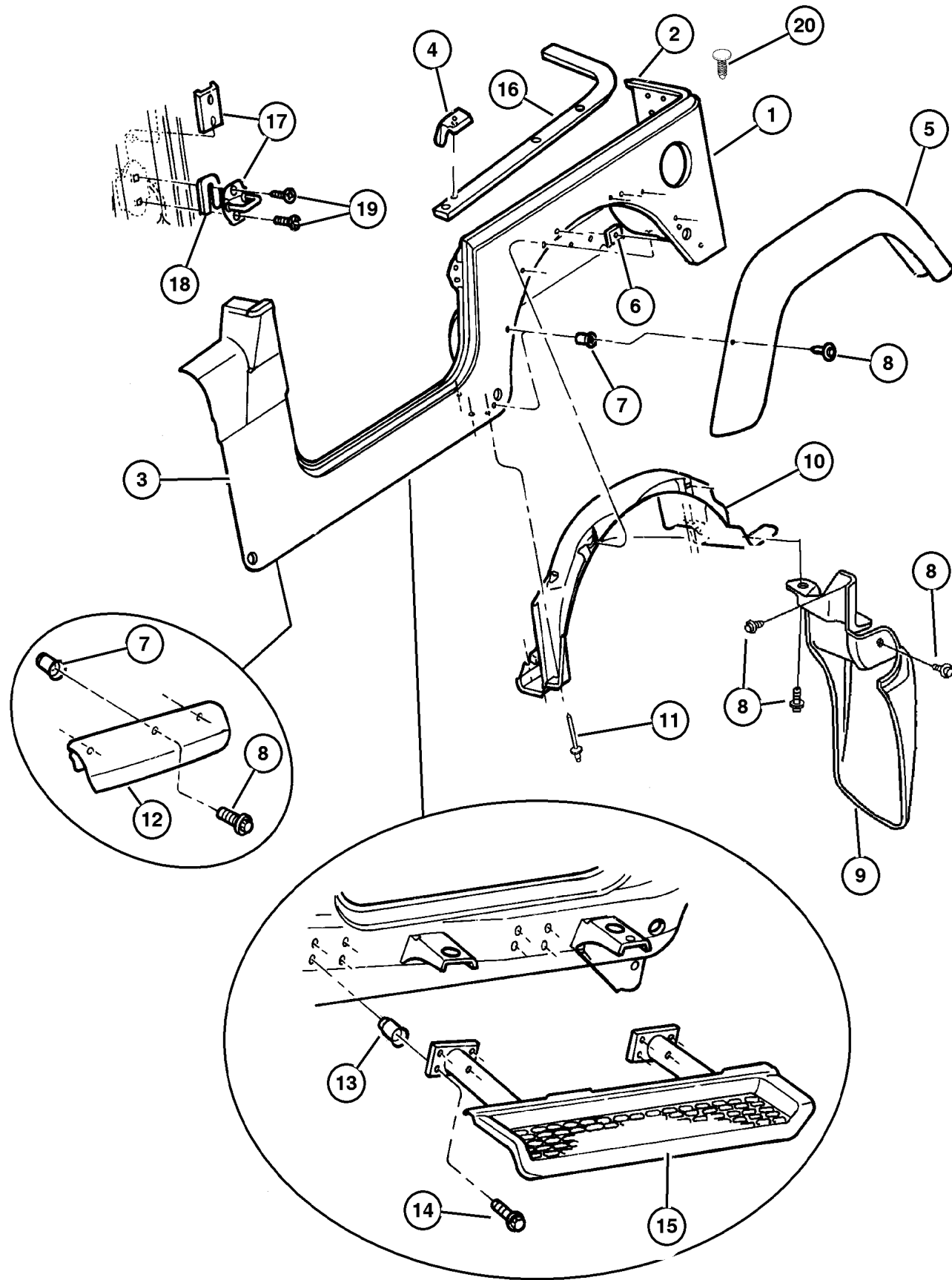


ITEM	PART NUMBER	QTY	LINE	SERIES	BODY	ENGINE	TRANS	TRIM	DESCRIPTION
Note: Sales Code [ABA] = Australia Equipment Group									
1	4874 196AD	1							PANEL, Body Side Right
	4874 197AD	1							Left
2									PANEL, Rear Corner
	5517 5664	1							Right
	5517 5665	1							Left
3	5517 5024	1							REINFORCEMENT, Side Panel
4									SEAL, Mucket
	55177 256AA	1							Right
	55177 257AA	1							Left
5									EXTENSION, Wheel House
	5517 5726	1							[K3], Right
	5517 5727	1							[K3], Left
	5DS74 DX8AC	1							[K5X], SAHARA, Right
	5DS74 DX9AC	1							[K5Z], SAHARA, Right
	5DS74 SG8AC	1							[K5G], SAHARA, Right
	5DS74 SW1AC	1							[K5W], SAHARA, Right
	5DS74 WU7AC	1							[K5U], SAHARA, Right
	5DS74 XS5AC	1							[K5A], SAHARA, Right
	5DS75 DX8AC	1							[K5X], SAHARA, Left
	5DS75 DX9AC	1							[K5Z], SAHARA, Left
	5DS75 SG8AC	1							[K5G], SAHARA, Left
	5DS75 SW1AC	1							[K5W], SAHARA, Left
	5DS75 WU7AC	1							[K5U], SAHARA, Left
	5DS75 XS5AC	1							[K5A], SAHARA, Left
6	J400 4868	10							NUT, Plastic
7	6504 601	6							NUT, Rivet Round, M5x0.80x11.09
8									SCREW AND WASHER, M5X.
									80X20.00, (NOT SERVICED) (Not Serviced)
9									SHIELD, Splash
	55155 696AA	1							Right
	55155 697AA	1							Left
	55156 038AB	1							[ABA], Australia, Right
	55156 039AB	1							[ABA], Australia, Left
10									SHIELD, Splash, Liner, Rear
									Wheelhouse
	55155 632AB	1							Right
	55155 633AB	1							Left
11	6030 441	10							PIN, Retainer
12									EXTENSION, Fender
	5525 4928	1							[K3], Right

JEEP WRANGLER (TJ)  
 SERIES LINE BODY ENGINE TRANSMISSION  
 H = Sport J = Wrangler 4WD 77 = 93.4 WB EPE, EP0 = 2.5L Power Tech DGG, DGD = 32RH 3 Spd. Auto.  
 L = SE U = Wrangler 4WD (RHD) ERH, ER0 = 4.0L Power Tech DDQ = 5 Spd. Manual  
 P = Sahara DDD = 5 Speed HD Manual  
 DG0 = Auto. Trans.  
 DBB = Manual Trans.



Panels, Body Side  
Figure STJ-810



ITEM	PART NUMBER	QTY	LINE	SERIES	BODY	ENGINE	TRANS	TRIM	DESCRIPTION
	5525 4929	1							[K3], Left
	5DV1 2DX9	1							[K5], Right
	5DV1 3DX9	1							[K5], Left
13	6504 397	14							NUT, M8-1.25
14	6501 648	14							SCREW, Hex Flange Head, M8x1.25x25.00, Side Step
15									STEP PAD, Side Step
	55156 200AB	1							Right
	55156 201AB	1							Left
16									RETAINER, Belt Rail
	55175 754AB	1							Right
	55175 755AB	1							Left
17	4780 259	2							STRIKER, Door
18									SPACER, Door Latch Striker
	4520 289	AR							2.0/2.5 Thick
	5507 5483	AR							SCREW AND WASHER, Button
19	6503 120	4							Head Torx, M8x1.25x39.50
20	6504 662	4							RETAINER, Push On
-21	55363 274AA-	1							LABEL, Mercury Warning, B Pillar Below The Striker

JEEP WRANGLER (TJ)  
 SERIES LINE BODY ENGINE TRANSMISSION  
 H = Sport J = Wrangler 4WD 77 = 93.4 WB EPE, EP0 = 2.5L Power Tech DGG, DGD = 32RH 3 Spd. Auto.  
 L = SE U = Wrangler 4WD (RHD) ERH, ER0 = 4.0L Power Tech DDQ = 5 Spd. Manual  
 P = Sahara DDD = 5 Speed HD Manual  
 DG0 = Auto. Trans.  
 DBB = Manual Trans.

AR = Use as required - = Non illustrated part # = New this model year

September 16, 2005

## Soft Top And Windows Figure STJ-1110

ITEM	PART NUMBER	QTY	LINE	SERIES	BODY	ENGINE	TRANS	TRIM	DESCRIPTION
1									COVER, Soft Top
	5HM35 SX9AA	1							Black
	5HM35 VK9AA	1							Tan
2									WINDOW, Half Door Soft Top
	5HM42 SX9AA	1							Black, Right
	5HM42 VK9AA	1							Tan, Right
	5HM43 SX9AA	1							Black, Left
	5HM43 VK9AA	1							Tan, Left
3									WINDOW, Quarter
	5HM40 SX9AA	1							Clear, Black, Right
	5HM40 VK9AA	1							Clear, Tan, Right
	5HM41 SX9AA	1							Clear, Black, Left
	5HM41 VK9AA	1							Clear, Tan, Left
	5HR24 SX9AA	1							Tinted, Black, Right
	5HR24 VK9AA	1							Tinted, Tan, Right
	5HR25 SX9AA	1							Tinted, Black, Left
	5HR25 VK9AA	1							Tinted, Tan, Left
4									WINDOW, Tailgate
	5HM37 SX9AA	1							Clear, Black
	5HM37 VK9AA	1							Clear, Tan,
	5HR75 SX9AA	1							Tinted, Black
	5HR75 VK9AA	1							Tinted, Tan,
5									FRAME, Door Glass
	55175 858AF	1							Right
	55175 859AF	1							Left
6	55176 287AB	2							LATCH AND BASE, Folding Top
7	55176 442AC	1							BOW, Folding Top, Number 3
-8	4778 470	1							SNAP KIT, Soft Top, Male, Top Cover Attaching, Bow #3
9	4874 281	1							BOW, Folding Top, Number 1, And Number 2, With Pivot, Includes Front Header
10	5517 6206	2							BUMPER, Rubber
11									BRACKET, Soft Top Bow 1 & 3
	5517 5802	1							Right
	5517 5803	1							Left
12	6503 259	4							SCREW, Tapping, M6x1x20
13	6036 311AA	4							SCREW, Shoulder
14	5517 6198	4							PIN, Release Lever
15									SEAL, Door, Also Serviced in Frame Door Glass, (NOT SERVICED) (Not Serviced)
16									SEAL, A-Pillar Blocker

### JEEP WRANGLER (TJ)

SERIES  
H = Sport  
L = SE  
P = Sahara

LINE  
J = Wrangler 4WD  
U = Wrangler 4WD (RHD)

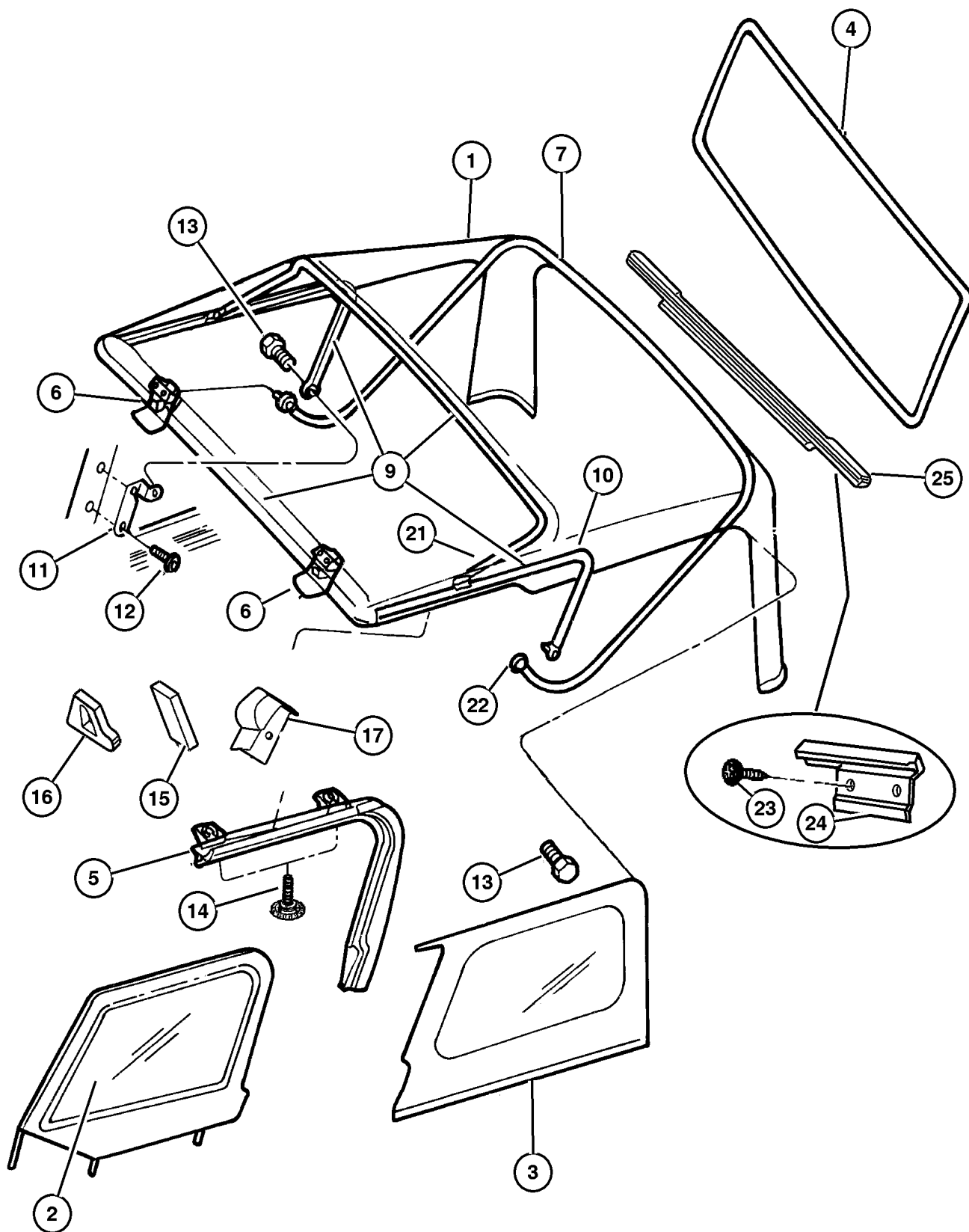
BODY  
77 = 93.4 WB

ENGINE  
EPE, EP0 = 2.5L Power Tech  
ERH, ER0 = 4.0L Power Tech

TRANSMISSION  
DGG, DGD = 32RH 3 Spd. Auto.  
DDQ = 5 Spd. Manual  
DDD = 5 Speed HD Manual  
DG0 = Auto. Trans.  
DBB = Manual Trans.

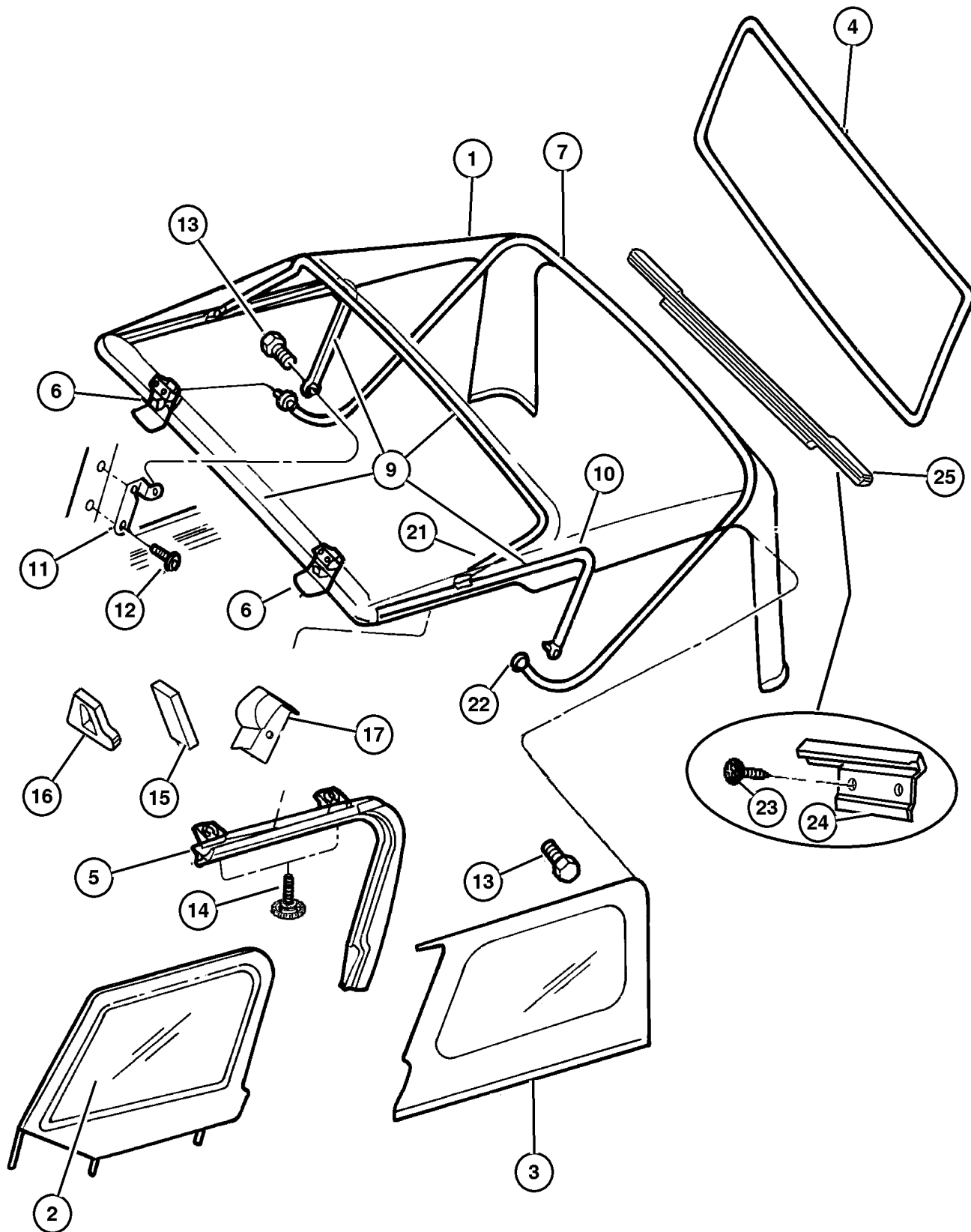
AR = Use as required - = Non illustrated part # = New this model year

September 16, 2005



Soft Top And Windows  
Figure STJ-1110

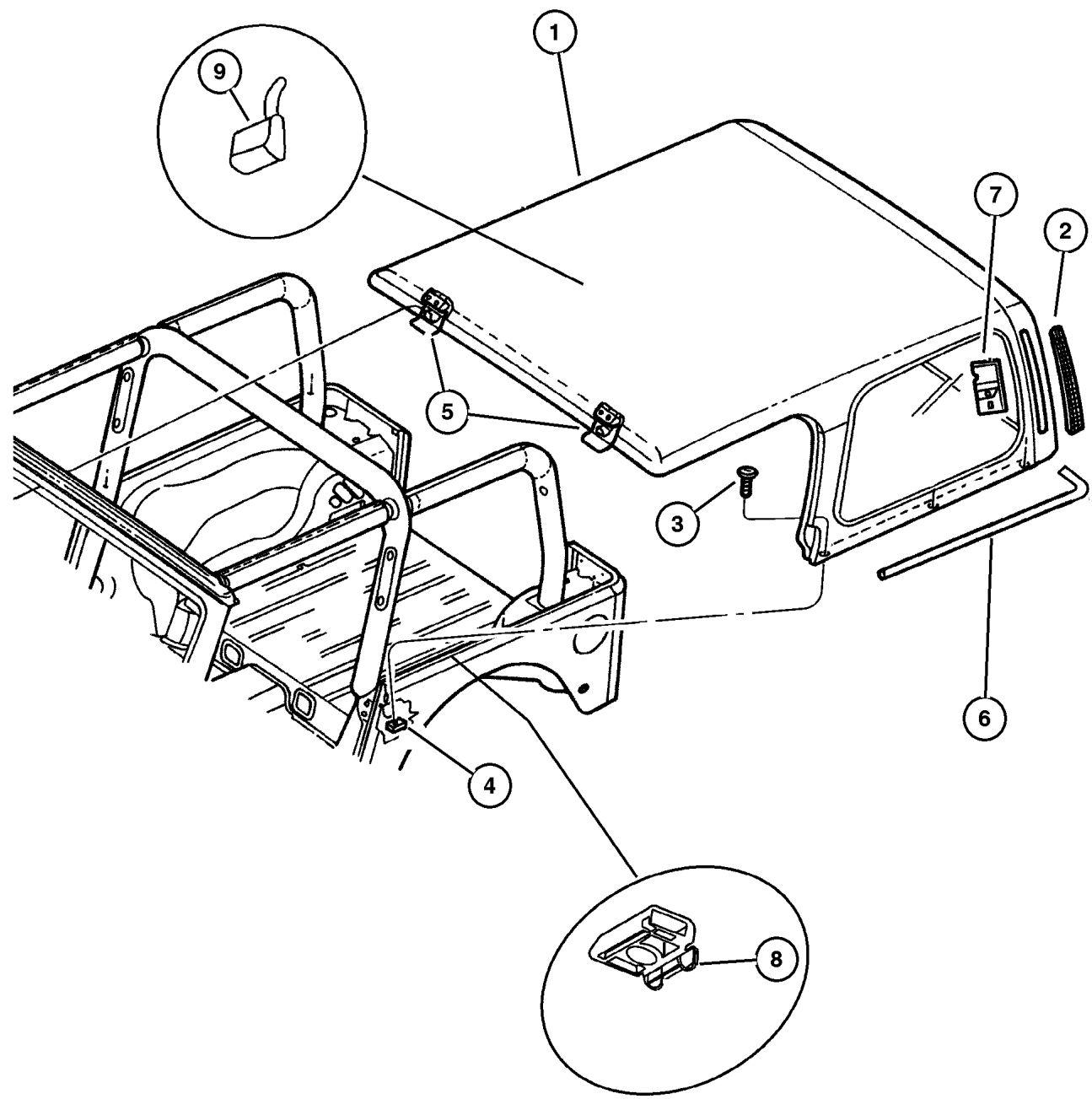
ITEM	PART NUMBER	QTY	LINE	SERIES	BODY	ENGINE	TRANS	TRIM	DESCRIPTION
	55176 714AA	1							Right
	55176 715AA	1							Left
17	55176 722AC	1							SEAL, Header Top And Side Rail Right
	55176 723AC	1							Left
-18	5517 6444	1							STRAP, Retaining, 2 Bow to 3 Bow Connect, Replaces Webbing Includes Pan Head Washers
-19	4897 190AA-	1							PULL STRAP KIT, Zipper
-20	5FZ85 BX7AB-	1							BOOT, Folding Top
21	55175 813AB	2							KNUCKLE, Rear
22	55176 064AB	2							KNUCKLE, Rear
23									SCREW AND WASHER, [.164-18x. 625], (NOT SERVICED) (Not Serviced)
24									CLIP, Tailgate Opening Right
	55176 738AA	1							Left
	55176 739AA	1							Right
25	55176 736AB	1							RETAINER, Soft Top Rail
-26	55177 245AB-	1							TOOL, Wrench



<b>JEEP WRANGLER (TJ)</b>				
SERIES	LINE	BODY	ENGINE	TRANSMISSION
H = Sport	J = Wrangler 4WD	77 = 93.4 WB	EPE, EP0 = 2.5L Power Tech	DGG, DGD = 32RH 3 Spd. Auto.
L = SE	U = Wrangler 4WD (RHD)		ERH, ER0 = 4.0L Power Tech	DDQ = 5 Spd. Manual
P = Sahara				DDD = 5 Speed HD Manual
				DG0 = Auto. Trans.
				DBB = Manual Trans.

Top Enclosure, Hard  
Figure STJ-1120

ITEM	PART NUMBER	QTY	LINE	SERIES	BODY	ENGINE	TRANS	TRIM	DESCRIPTION
1									HARDTOP, Shell Only
	5GN27 BX7AF	1							[VKX]
	5GN27 VK9AF	1							[VKT]
2									EXHAUSTER, Front Door
	5503 6306	1							Right
	5503 6307	1							Left
3									SCREW AND WASHER, [.312-18x1.250], (NOT SERVICED) (Not Serviced)
4	6036 084AA	6							NUT, .312-18
5	55175 816AB	2							LATCH AND BASE, Folding Top
6									SEAL, Enclosure To Body
	55176 372AC	1							Right
	55176 373AC	1							Left
7	5517 6190	1							COVER, Wiring Protector, Hardtop Disconnect
8	55176 746AB	4							RETAINER, Folding Top Deck Closure
9	55177 489AA	1							ISOLATOR, FOAM
-10	55177 245AB-	1							TOOL, Wrench



**JEEP WRANGLER (TJ)**

SERIES	LINE	BODY	ENGINE	TRANSMISSION
H = Sport	J = Wrangler 4WD	77 = 93.4 WB	EPE, EP0 = 2.5L Power Tech	DGG, DGD = 32RH 3 Spd. Auto.
L = SE	U = Wrangler 4WD (RHD)		ERH, ER0 = 4.0L Power Tech	DDQ = 5 Spd. Manual
P = Sahara				DDD = 5 Speed HD Manual
				DG0 = Auto. Trans.
				DBB = Manual Trans.

AR = Use as required - = Non illustrated part # = New this model year

September 16, 2005

**Tailgate**  
**Figure STJ-1310**

ITEM	PART NUMBER	QTY	LINE	SERIES	BODY	ENGINE	TRANS	TRIM	DESCRIPTION
1	55176 340AC	1							TAILGATE
2	55008 127AB	1							ROD, Tailgate Handle to Latch
3									SLEEVE, Anti-Rattle, Handle to Latch Rod, (NOT SERVICED) (Not Serviced)
4	4658 677	1							CLIP, Latch Link
5	55176 547AB	1							HANDLE, Liftgate
6	55177 243AB	1							PIN, Latch Striker
7	55176 450AD	1							BRACKET, Tailgate Striker
-8	J400 6303	2							RIVET, Dome Head Blind, .125x.275, Serviced in Bracket
-9	5500 1286	1							PLATE, Door Lock Striker, Serviced in Bracket
10	J400 7536	2							SCREW AND WASHER, Tapping, .312-18x.120
11	6505 070AA	4							SCREW, Pan Head
12	55176 533AC	1							COVER, Tailgate Latch
13	J374 3608	1							SEAL, Handle, Outside Door Handle
14	6034 980	2							SCREW, Pan Head, .19-24x.437
15	5507 6011	1							LINK, Key Cylinder To Latch
16									SCREW, .164-18x.625, (NOT SERVICED) (Not Serviced)
17	55175 043AE	1							WEATHERSEAL, Tailgate
18	6035 493	8							SCREW
19	55075 567AB	2							HINGE, Tailgate
20									SCREW AND WASHER, .164-18x.625, (NOT SERVICED) (Not Serviced)
21									CLIP, Tailgate Opening
	55176 738AA	1							Right
	55176 739AA	1							Left
22	55076 310AB	2							PROP, Liftgate
23	55074 947AC	1							LATCH, Tailgate
24	5517 6615	2							PLATE, Tailgate Latch
25	5502 5280	1							WATERSHIELD, Tailgate Latch
26	55176 736AB	1							RETAINER, Soft Top Rail
27	5517 5668	1							REINFORCEMENT, Tailgate Hinge
28	6505 167AA	7							SCREW, Pan Head, M6x1x16

**JEEP WRANGLER (TJ)**

SERIES  
H = Sport  
L = SE  
P = Sahara

LINE  
J = Wrangler 4WD  
U = Wrangler 4WD (RHD)

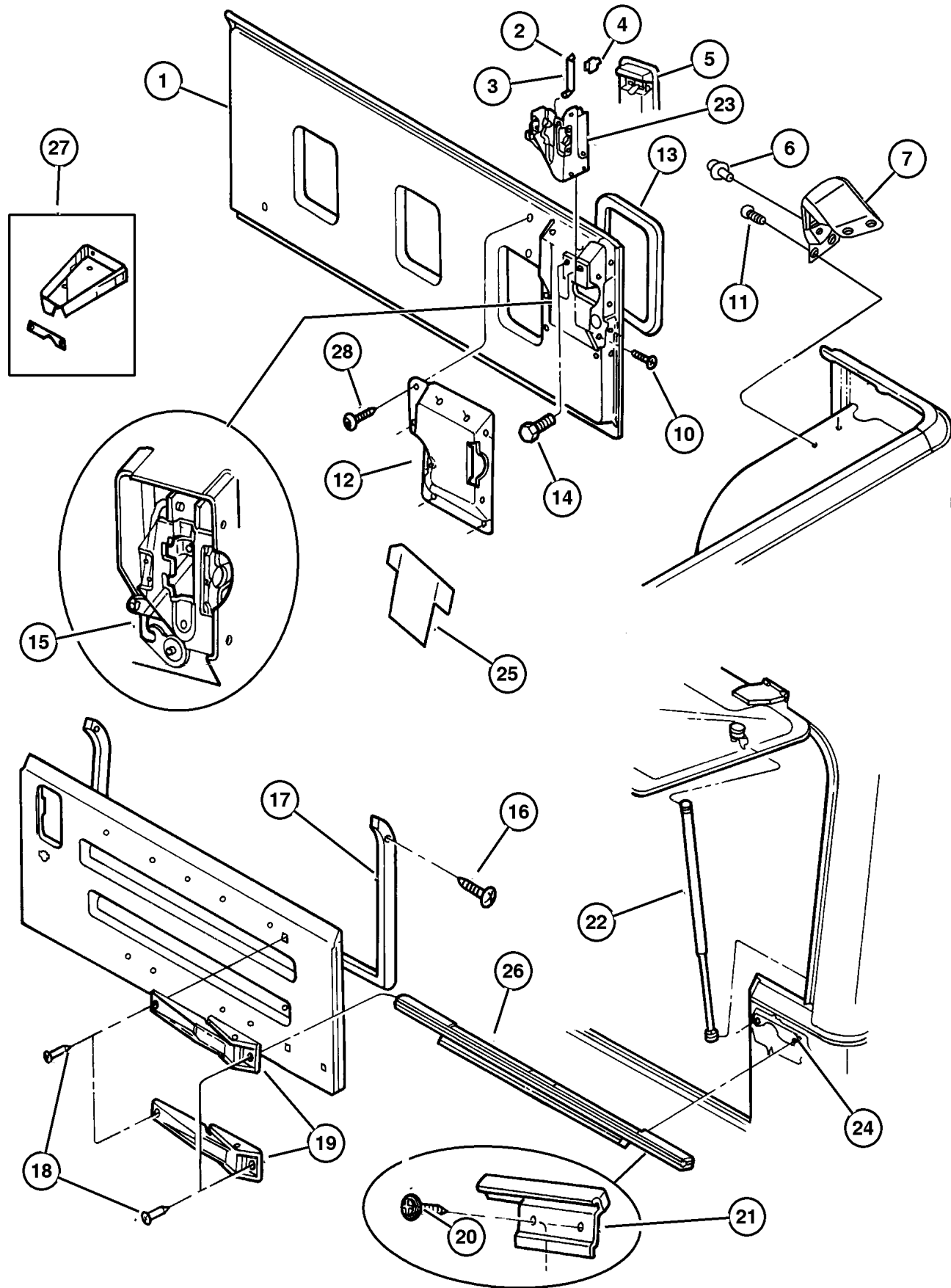
BODY  
77 = 93.4 WB

ENGINE  
EPE, EP0 = 2.5L Power Tech  
ERH, ER0 = 4.0L Power Tech

TRANSMISSION  
DGG, DGD = 32RH 3 Spd. Auto.  
DDQ = 5 Spd. Manual  
DDD = 5 Speed HD Manual  
DG0 = Auto. Trans.  
DBB = Manual Trans.

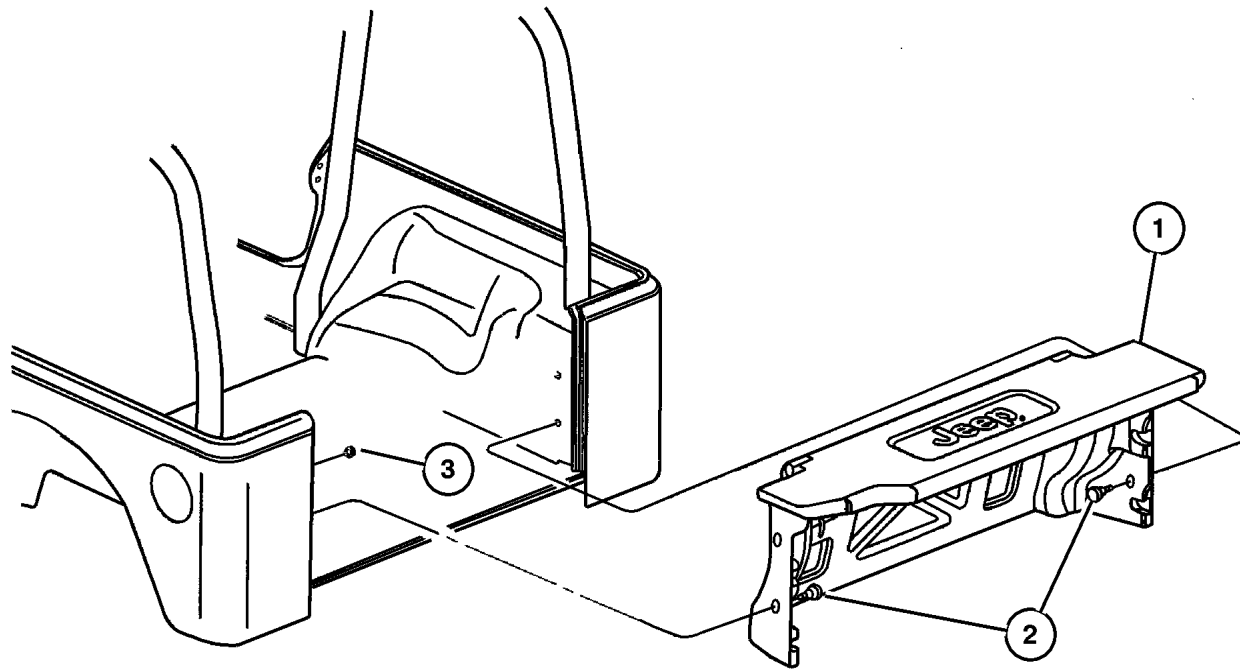
AR = Use as required - = Non illustrated part # = New this model year

September 16, 2005



**Add-a-Trunk  
Figure STJ-1320**

ITEM	PART NUMBER	QTY	LINE	SERIES	BODY	ENGINE	TRANS	TRIM	DESCRIPTION
1									PANEL, Add A Trunk
	5GY84 1AZAB	1							[AZ]
	5GY84 1K5AB	1							[KG, K5]
2	55352 813AA	1							KNOB
3	6503 245	2							RIVET, NUT

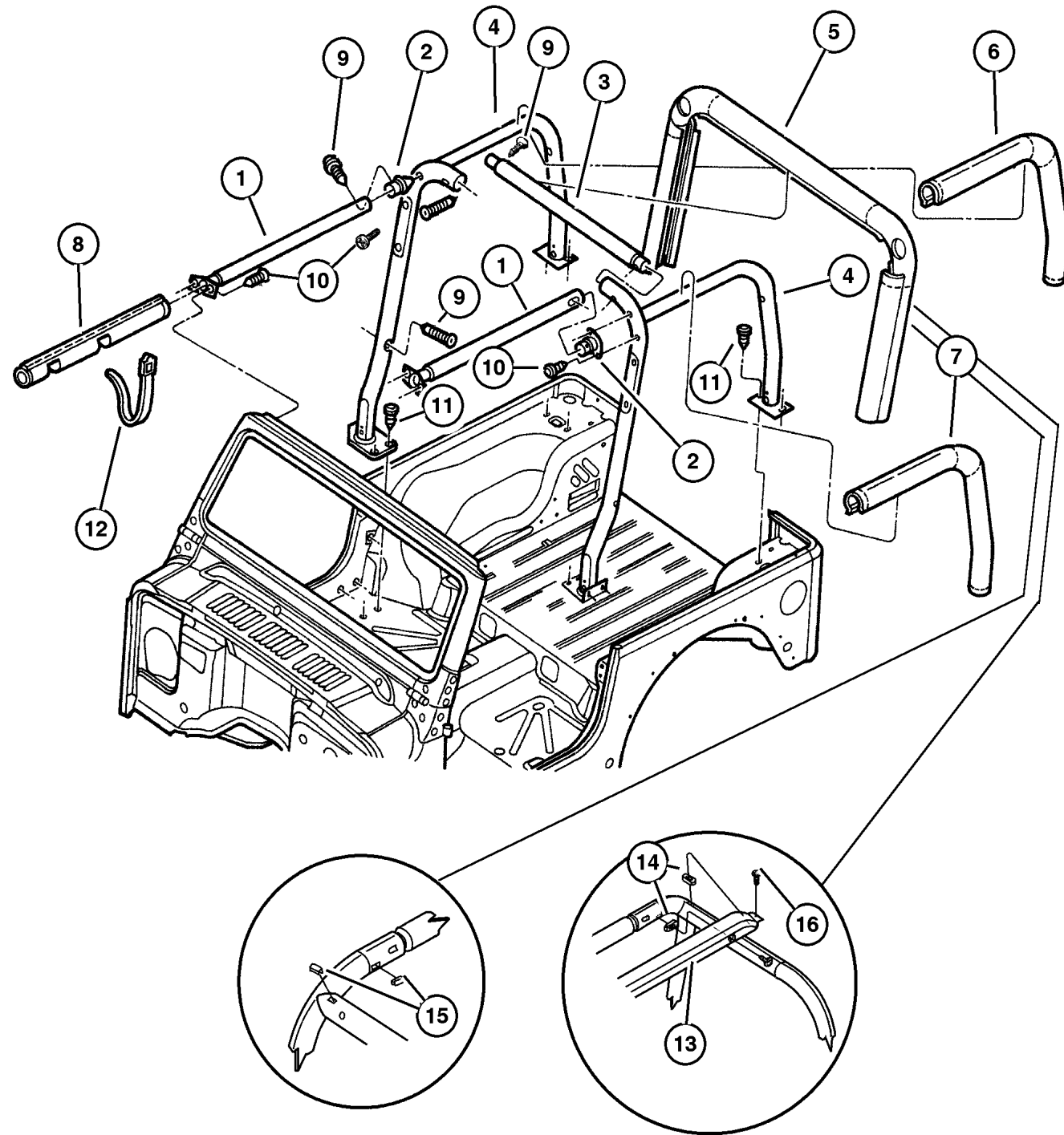


<b>JEEP WRANGLER (TJ)</b>				
SERIES	LINE	BODY	ENGINE	TRANSMISSION
H = Sport	J = Wrangler 4WD	77 = 93.4 WB	EPE, EP0 = 2.5L Power Tech	DGG, DGD = 32RH 3 Spd. Auto.
L = SE	U = Wrangler 4WD (RHD)		ERH, ER0 = 4.0L Power Tech	DDQ = 5 Spd. Manual
P = Sahara				DDD = 5 Speed HD Manual
				DG0 = Auto. Trans.
				DBB = Manual Trans.

AR = Use as required - = Non illustrated part # = New this model year

September 16, 2005

## Sport Bar Wrangler Figure STJ-1610



ITEM	PART NUMBER	QTY	LINE	SERIES	BODY	ENGINE	TRANS	TRIM	DESCRIPTION
1									SIDE BAR, Sport Bar
	55176 504AD	1							Right
	55176 505AD	1							Left
2									BRACKET, Side
	5517 6506	1							Right
	5517 6507	1							Left
3	5517 6022	1							BAR, Sport, Center
4									BAR, Sport
	5517 6488	1							Right
	5517 6489	1							Left
5									PAD, Sport Bar, Center
	5FU79 LAZAD	1							[AZ], With Speakers
	5FU79 RK5AD	1							[KG, K5], With Speakers
	5GA16 LAZAC	1							[AZ], Without Speakers
6									PAD, Sport Bar, Right
	5FU81 LAZAB	1	J						[AZ], Without Speakers
	5FV08 LAZAB	1							[AZ], With Speakers
	5FV08 RK5AB	1							[K5, KG], With Speakers
	5GA17 LAZAB	1							[AZ], Without Speakers, Export
7									PAD, Sport Bar, Left
	5FU83 LAZAB	1	J						[AZ], Without Speakers
	5FV09 LAZAB	1							[AZ], With Speakers
	5FV09 RK5AB	1							[K5, KG], With Speakers
	5GA18 LAZAB	1							[AZ], Without Speakers, Export
8									COVER, Side Bar
	5EH5 9RK5	2							[KG]
	5EH5 9TAZ	2							[AZ, K5]
9	6035 970AA	2							SCREW, Pan Head
10	6504 050	4							SCREW, M8x1.25x25
11	6035 935AA	12							SCREW AND WASHER
12	5501 5916	5							STRAP, Side Bar Hold Down
13	5FC98 LAZAB	1							SHIELD, Sport Bar
14	6035 912	4							NUT, Snap In, .164-18
15	6504 665	4							PLUG, Push Lock
16									SCREW, .164-18x1.00, (NOT SERVICED) (Not Serviced)

### JEEP WRANGLER (TJ)

SERIES  
H = Sport  
L = SE  
P = Sahara

LINE  
J = Wrangler 4WD  
U = Wrangler 4WD (RHD)

BODY  
77 = 93.4 WB

ENGINE  
EPE, EP0 = 2.5L Power Tech  
ERH, ER0 = 4.0L Power Tech

TRANSMISSION  
DGG, DGD = 32RH 3 Spd. Auto.  
DDQ = 5 Spd. Manual  
DDD = 5 Speed HD Manual  
DG0 = Auto. Trans.  
DBB = Manual Trans.